



US00D335001S

# United States Patent [19] Drake

[11] Patent Number: **Des. 335,001**

[45] Date of Patent: **\*\* Apr. 20, 1993**

[54] **THERAPEUTIC TRACTION TABLE**

4,586,493 5/1986 Goodman .

[75] Inventor: **George M. Drake, Hixson, Tenn.**

[73] Assignee: **Chattanooga Corporation, Hixson, Tenn.**

[\*\*] Term: **14 Years**

[21] Appl. No.: **562,956**

[22] Filed: **Aug. 6, 1990**

[52] U.S. Cl. .... **D24/183; D6/486; D24/215**

[58] Field of Search ..... **D24/177, 178, 183, 188; D6/480, 486, 511; 128/57, 33; 602/38, 39, 19; 606/244, 242, 53**

[56] **References Cited**

**U.S. PATENT DOCUMENTS**

D. 265,359	7/1982	Malven .....	D6/480
D. 298,170	10/1988	Masuda et al. ....	D24/183
D. 324,103	2/1992	Masuda et al. ....	D24/183
2,492,406	12/1949	Thomas .	
2,904,036	9/1959	Thomas .....	D24/215 X
3,003,497	10/1961	Nunes .	
3,640,272	2/1972	Hussey .....	128/57 X
3,664,333	5/1972	Hill .....	128/57 X
3,877,422	4/1975	Heuser et al. .	
4,190,043	2/1980	Thompson .	
4,412,534	11/1983	Hamabe et al. ....	128/57 X

**OTHER PUBLICATIONS**

Lic Care, "Body Relaxer Intersegmental Traction Table", 2 page brochure, Lic Care, Inc.

Lic Care, "Lic Othion Combi-1, Multi-Therapy Treatment Table", 2 page brochure, Lic Care, Inc.

ATT-300, 2 page brochure, Duncan Services.

Spinalator ®, 4 page brochure, The Spinalator Company.

Hill Anatomotor ®, 8 page brochure, Hill Laboratories Company.

*Primary Examiner*—Stella Reid

*Assistant Examiner*—I. Simmons

*Attorney, Agent, or Firm*—Bell, Seltzer, Park & Gibson

[57] **CLAIM**

The ornamental design for a therapeutic traction table, as shown and described.

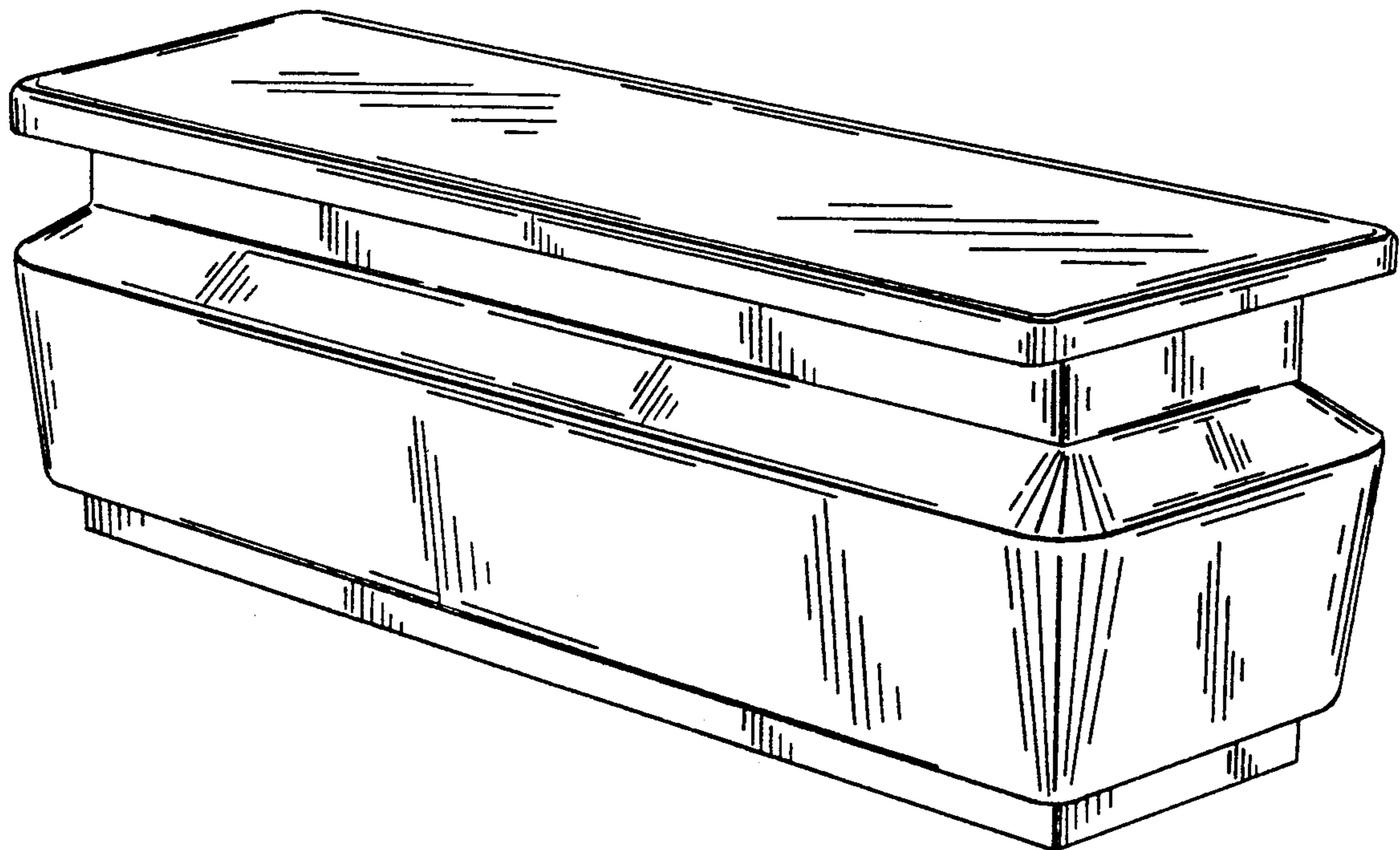
**DESCRIPTION**

FIG. 1 is a perspective view of a therapeutic traction table showing my new design;

FIG. 2 is a front elevational view thereof, the rear elevational view being identical thereto;

FIG. 3 is a left end elevational view thereof, the right end elevational view being identical thereto; and,

FIG. 4 is a top plan view thereof, the bottom plan view being plain and unornamented.



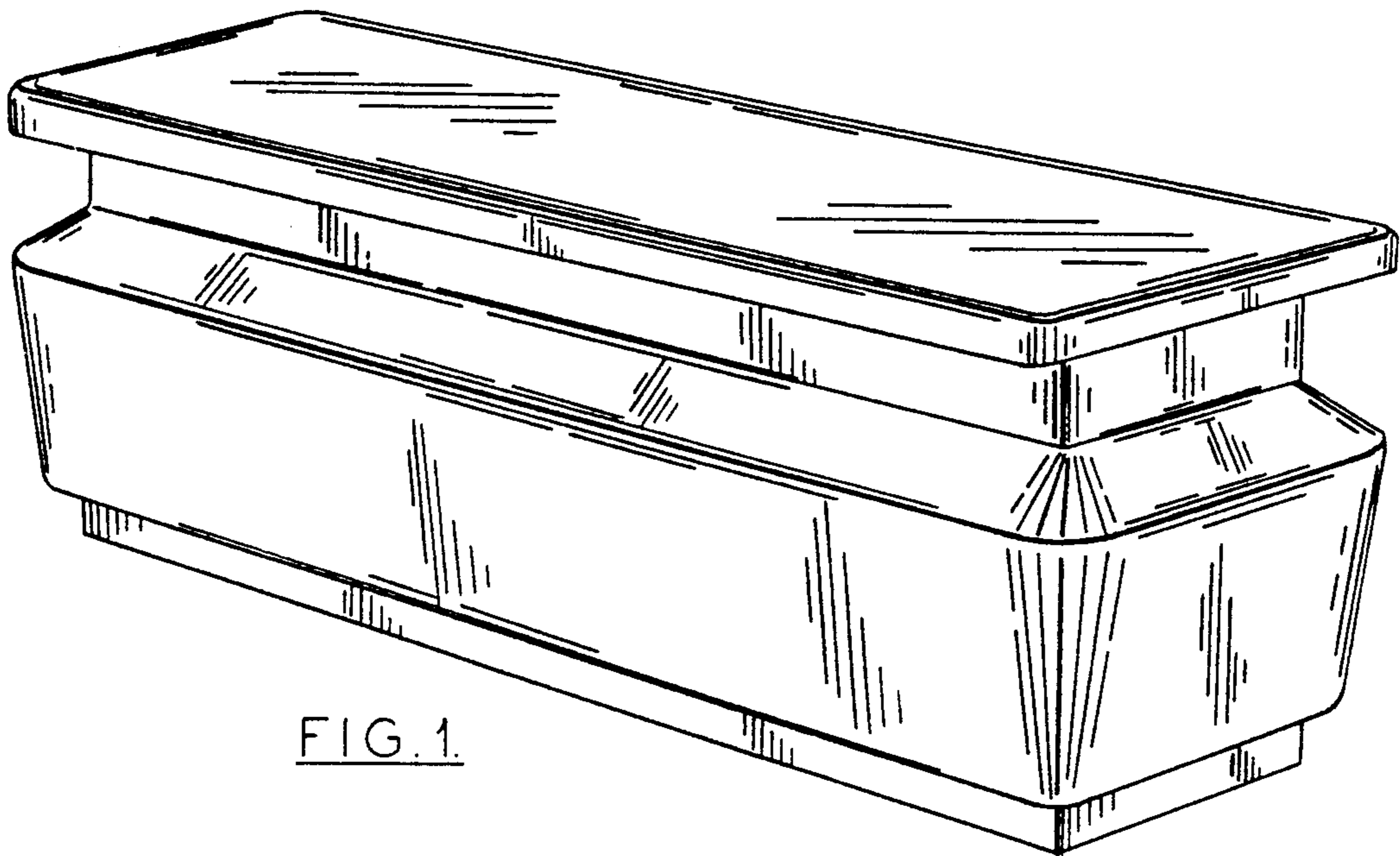


FIG. 1.

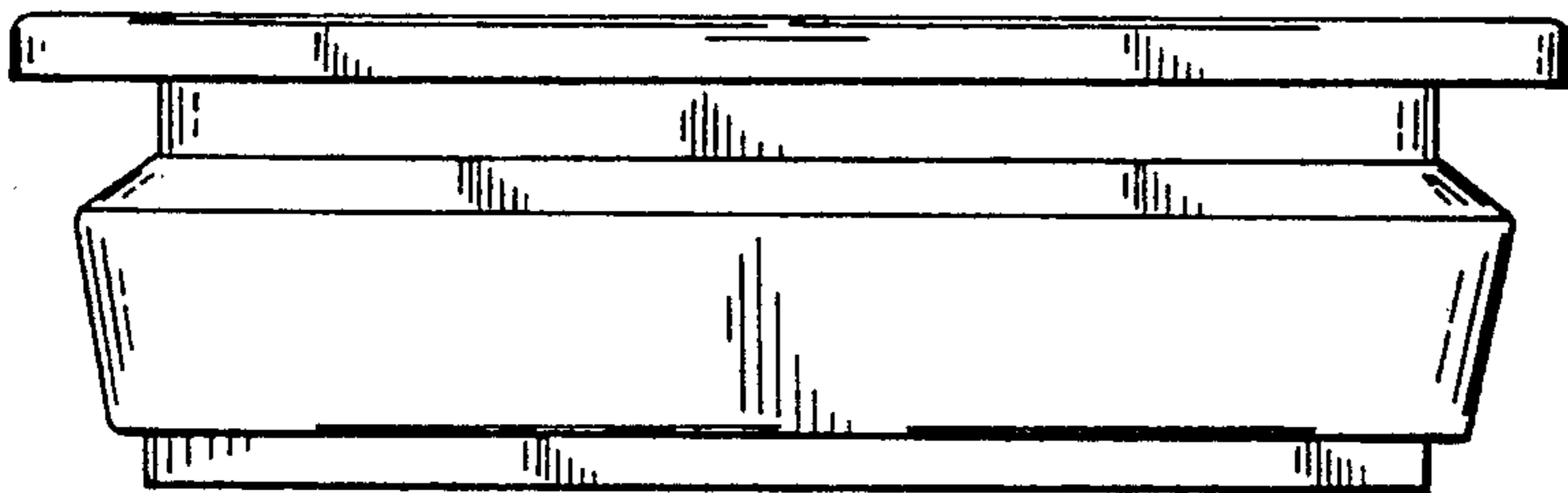


FIG. 2.

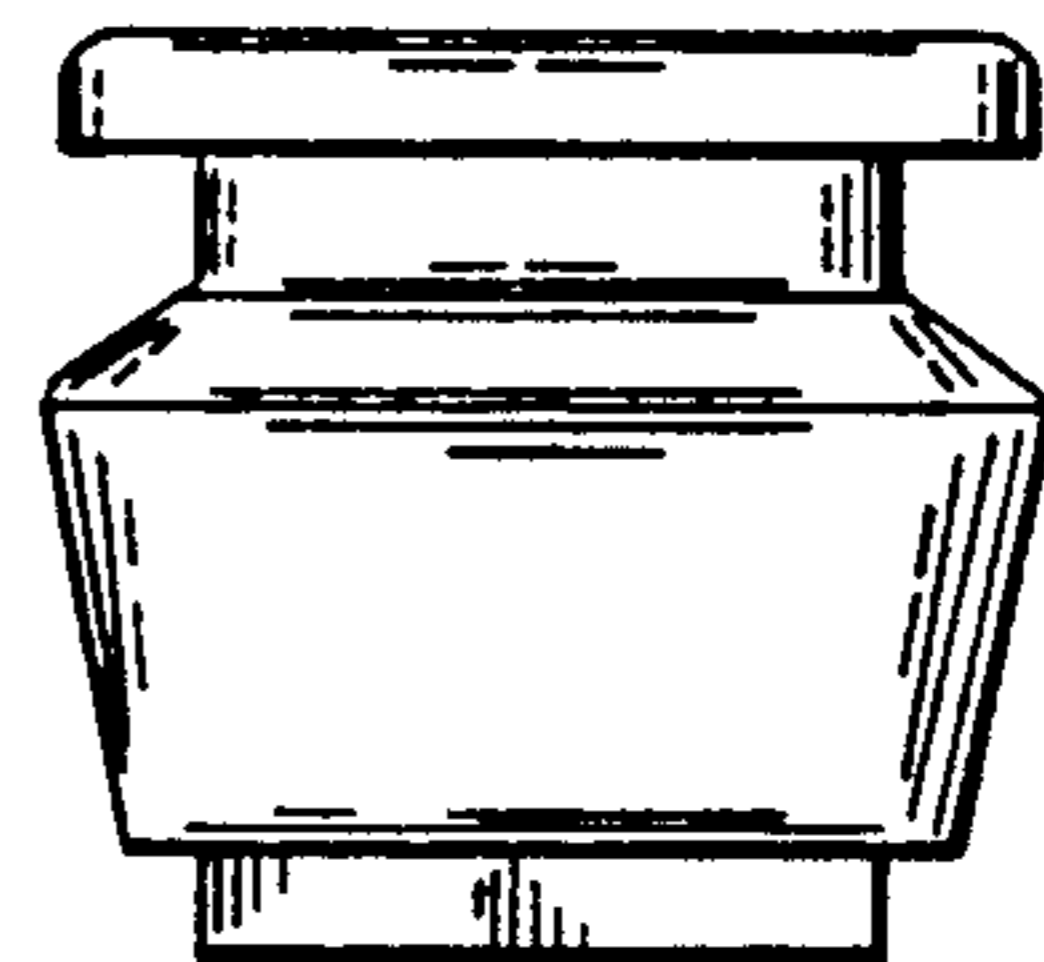


FIG. 3.

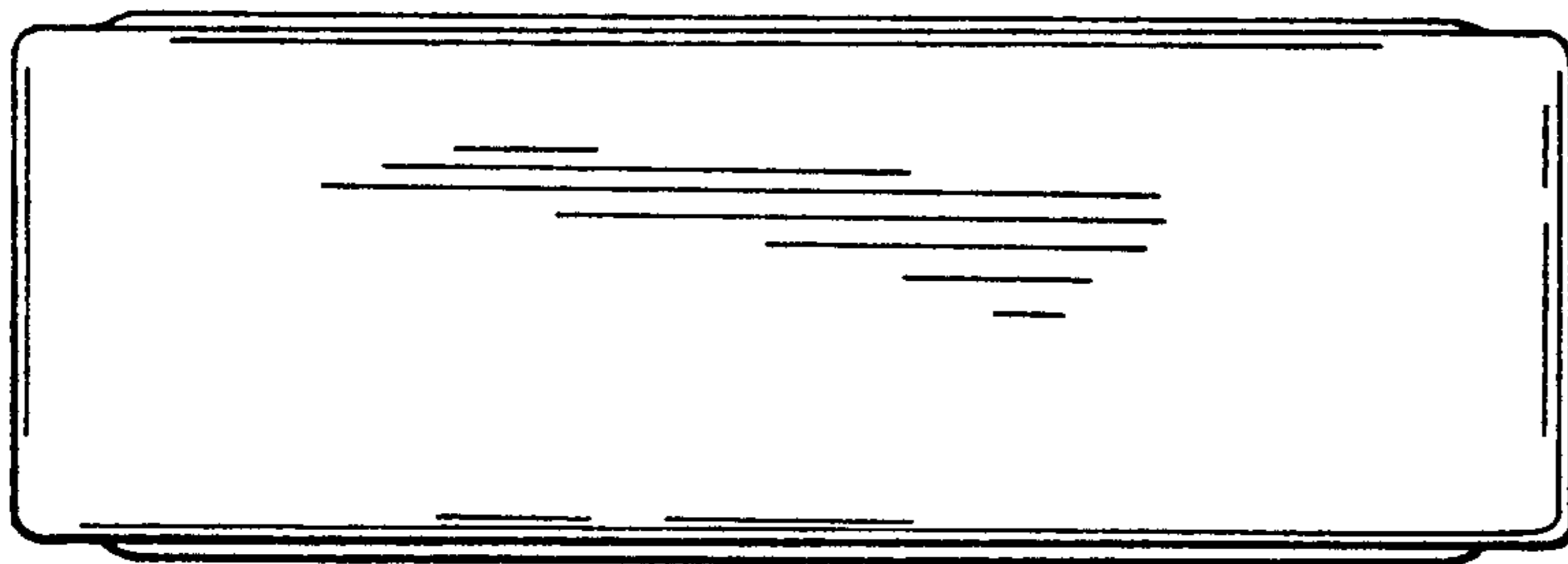


FIG. 4.