



US00D334999S

United States Patent [19]

[11] Patent Number: **Des. 334,999**

Faulconer et al.

[45] Date of Patent: **** Apr. 20, 1993**

[54] DIVING MASK

[76] Inventors: **Mark Faulconer**, 200 Paris La., #211, Newport Beach, Calif. 92663; **Tim Bowman**, 2855 Pine Creek Rd. #D429, Costa Mesa, Calif. 92626; **Ian Burgess**, 3301 S. Bear St. #46H, Santa Ana, Calif. 92704

[**] Term: **14 Years**

[21] Appl. No.: **782,455**

[22] Filed: **Oct. 25, 1991**

[52] U.S. Cl. **D29/9; D16/107**

[58] Field of Search **D29/9; D16/107, 115; 2/428, 439, 426, 12; D21/236**

[56] References Cited

U.S. PATENT DOCUMENTS

- D. 309,508 7/1990 Sugita D16/107
- D. 320,867 10/1991 Kasama D29/9
- D. 324,589 3/1992 Dagnino D29/9

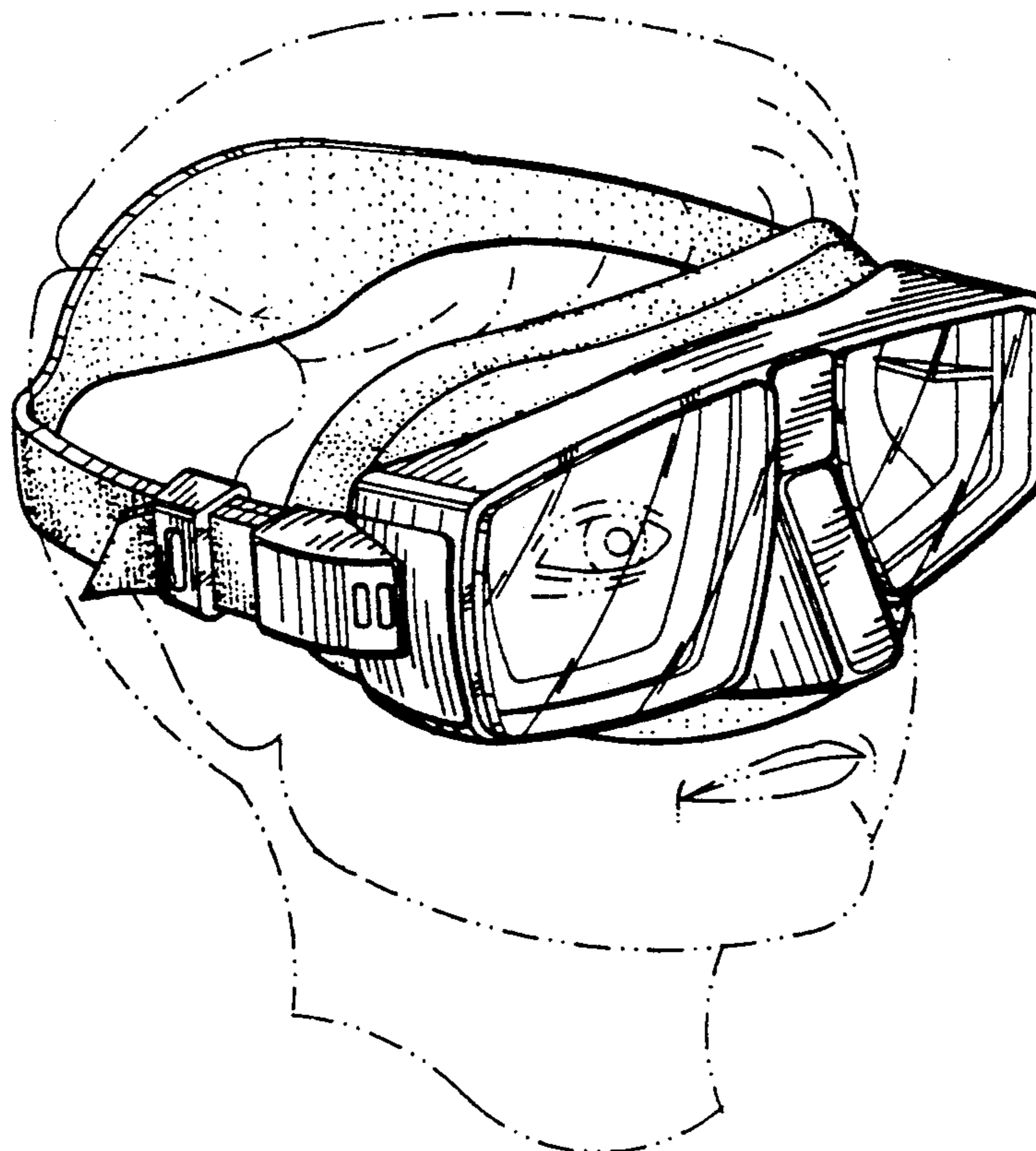
Primary Examiner—Kay H. Chin
Attorney, Agent, or Firm—Richard C. Litman

[57] CLAIM

The ornamental design for a diving mask, as shown and described.

DESCRIPTION

FIG. 1 is a front, top and right side perspective view of a diving mask showing our new design, the portion of the figure shown in broken lines representing a user of the mask and forming no part of the claimed design; FIG. 2 is a left side elevational view thereof, the right side elevational view being a mirror image; FIG. 3 is a front elevational view thereof; FIG. 4 is a rear elevational view thereof; FIG. 5 is a top plan view thereof; FIG. 6 is a bottom plan view thereof; FIG. 7 is a front, top and right side perspective view of a second embodiment thereof; FIG. 8 is a left side elevational view of FIG. 7, the right side elevational view being a mirror image thereof; FIG. 9 is a front elevational view of FIG. 7; FIG. 10 is a top plan view of FIG. 7; FIG. 11 is a rear elevational view of FIG. 7; and, FIG. 12 is a bottom plan view of FIG. 7. The securing strap is shown fragmented in FIGS. 2 through 6 and 8 through 12 for convenience of illustration.



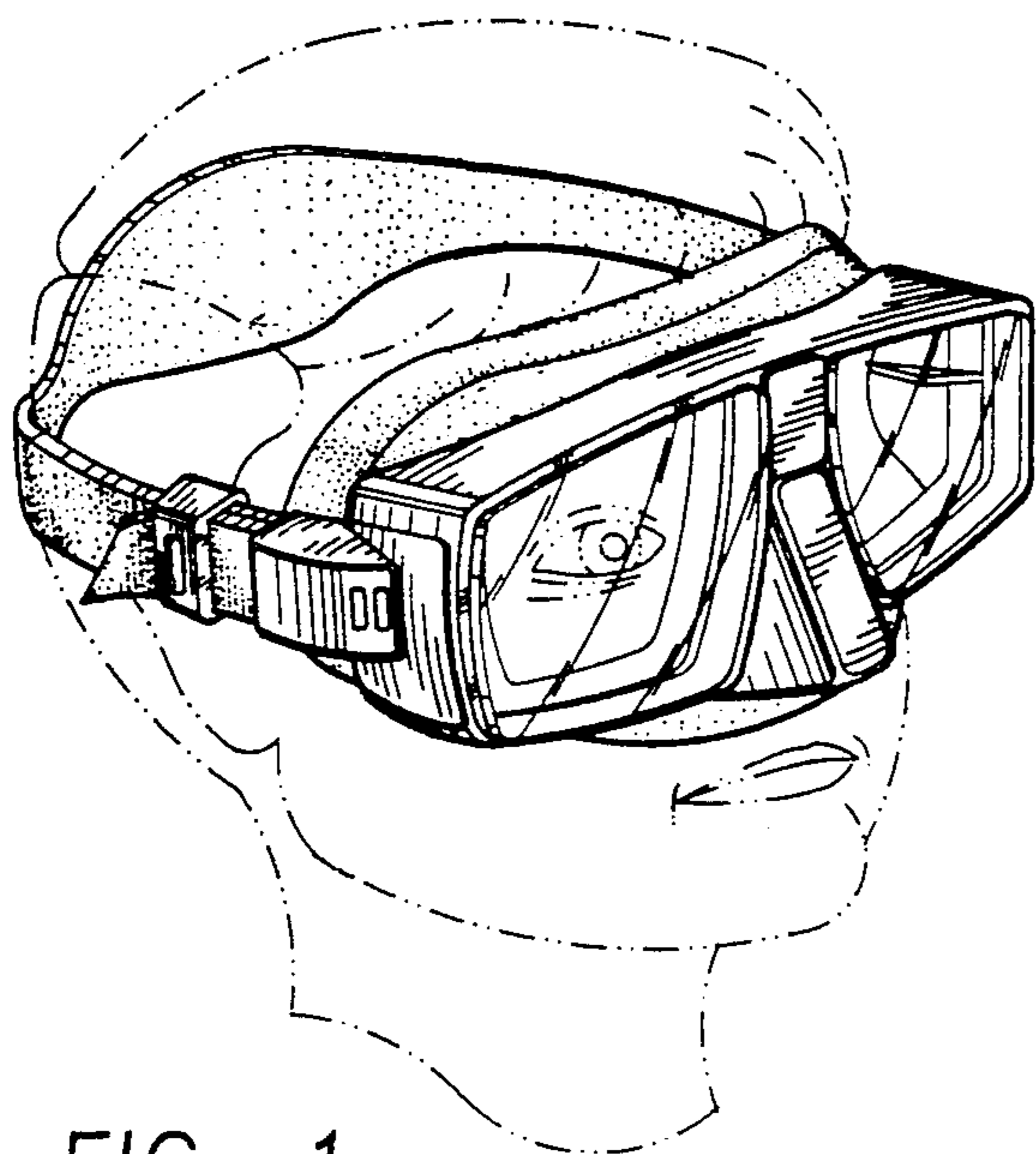


FIG. 1

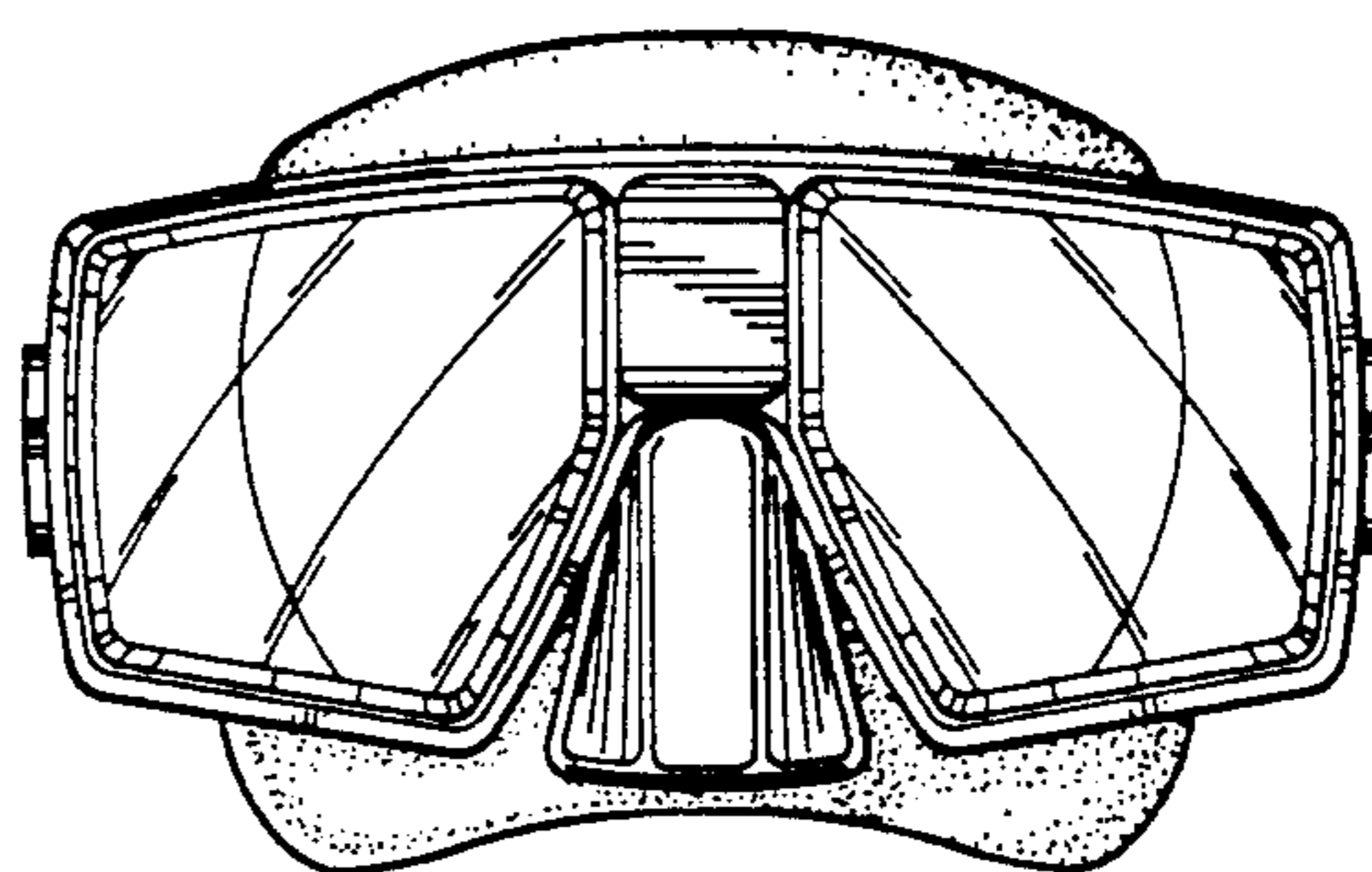


FIG. 3

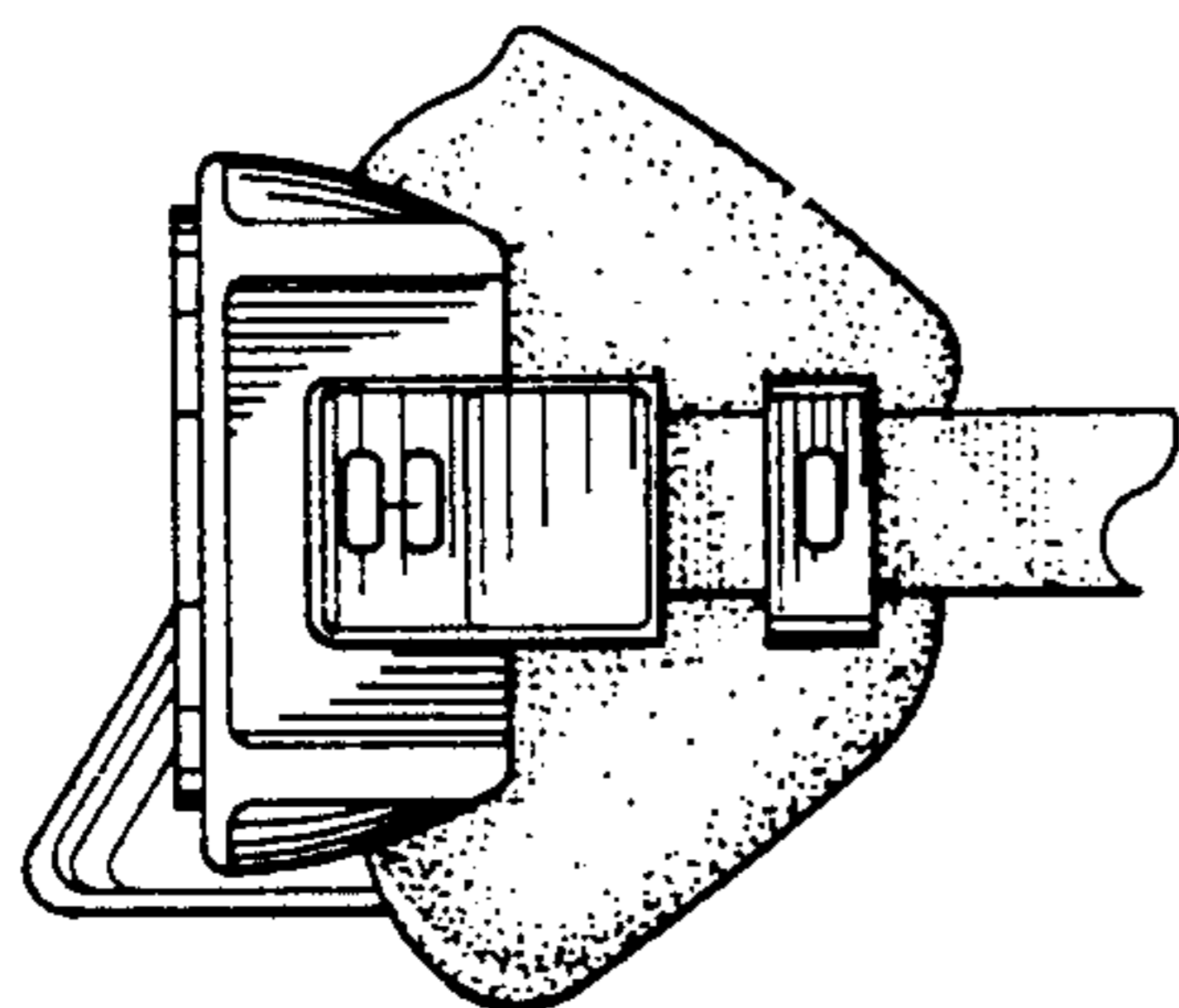


FIG. 2

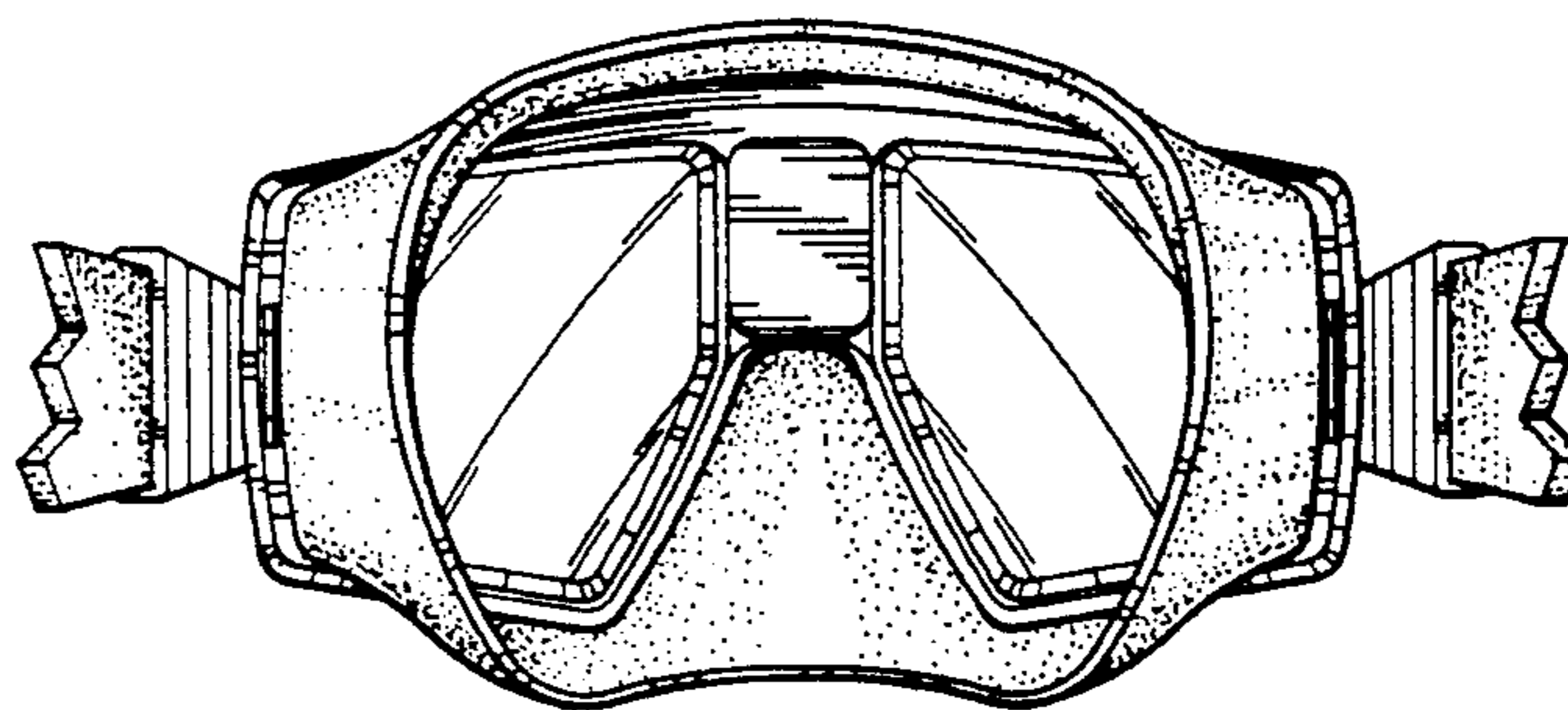


FIG. 4

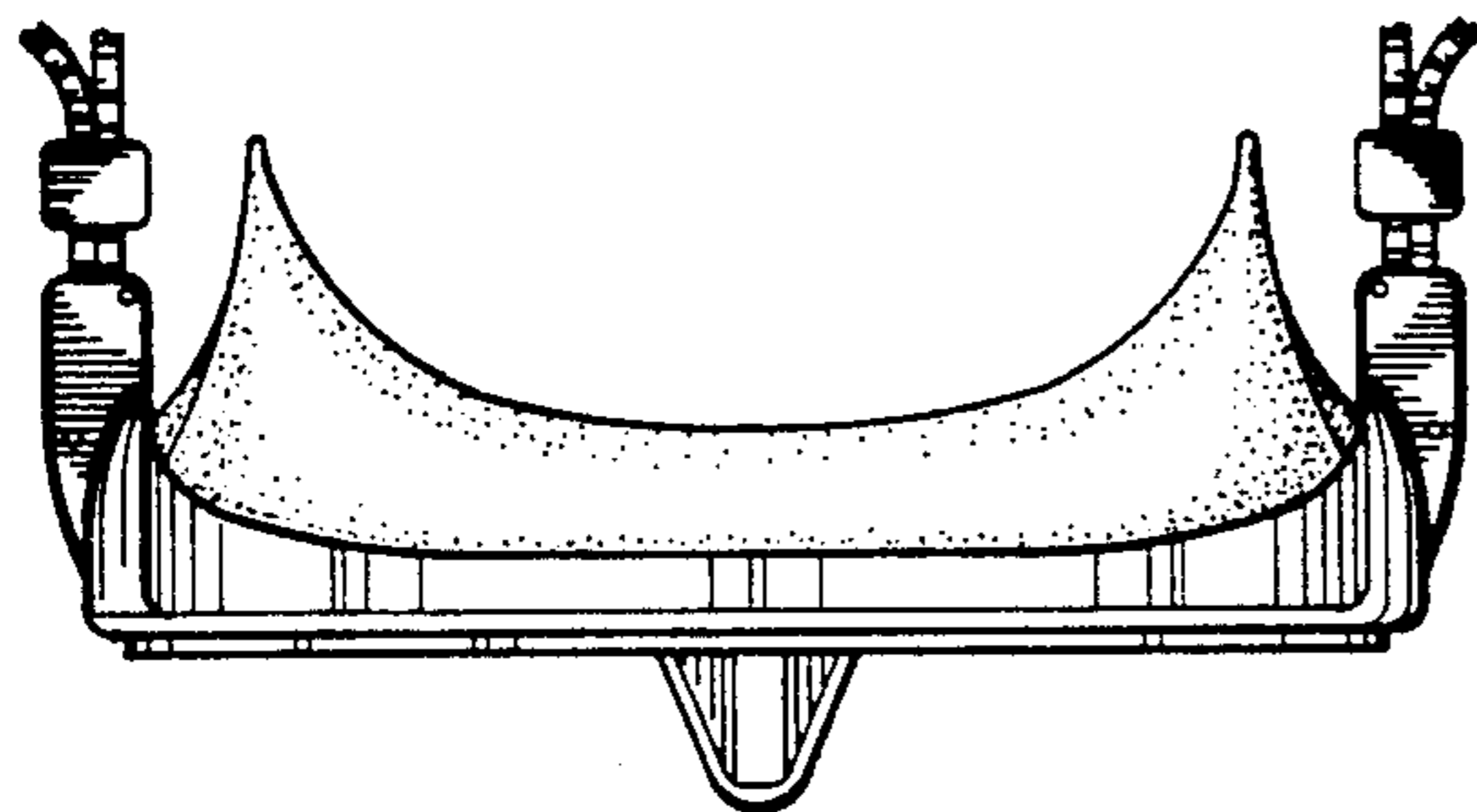


FIG. 5

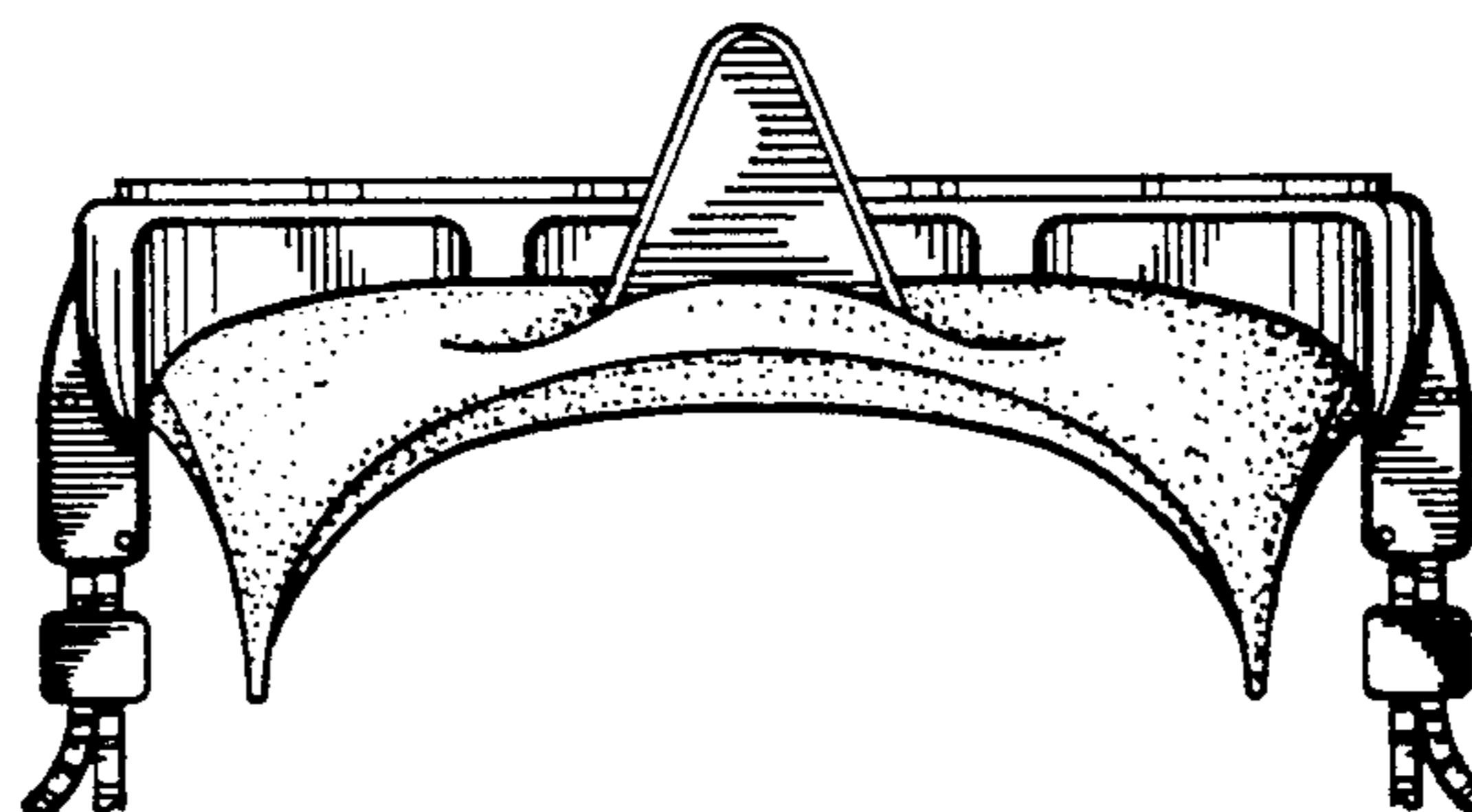


FIG. 6

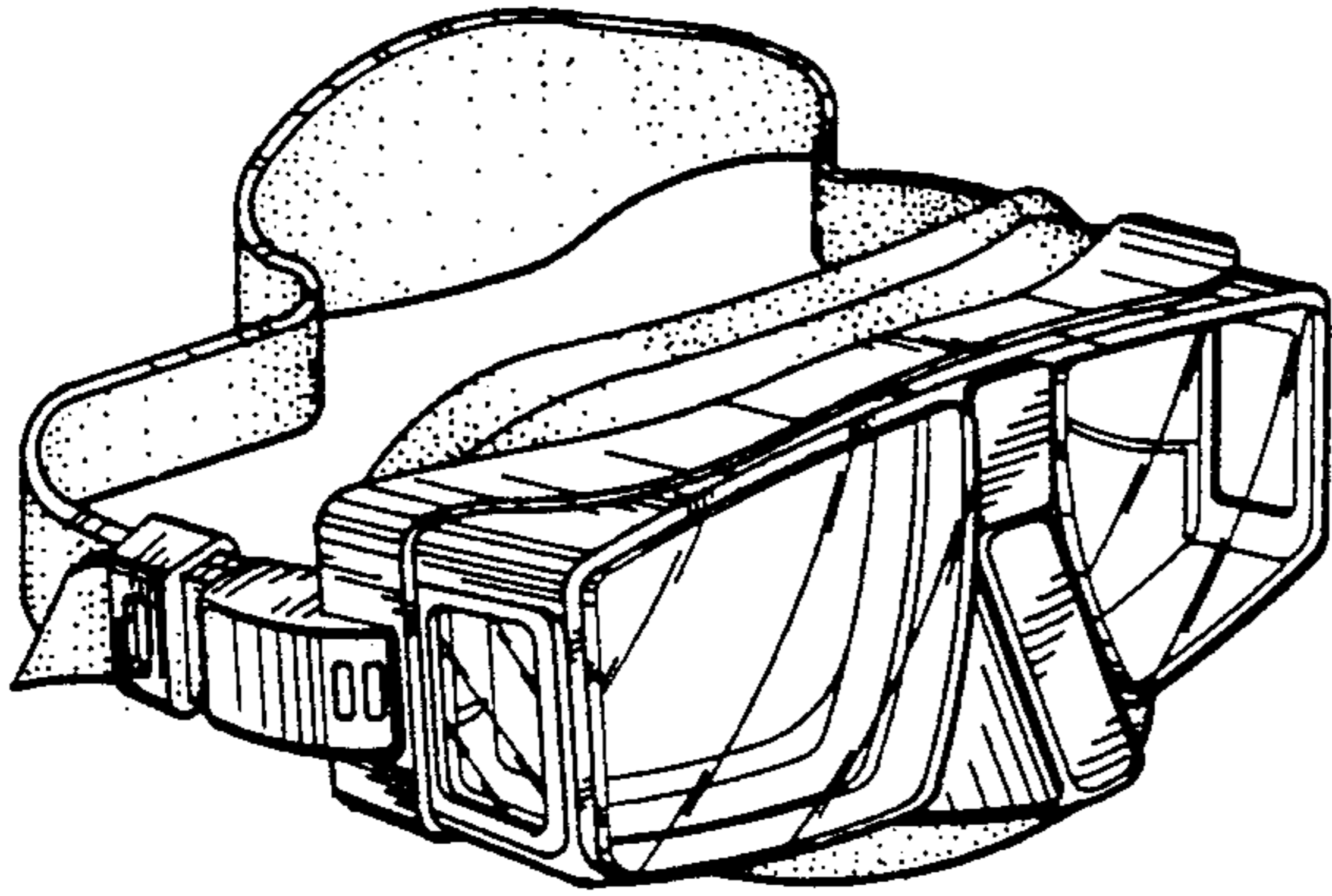


FIG. 7

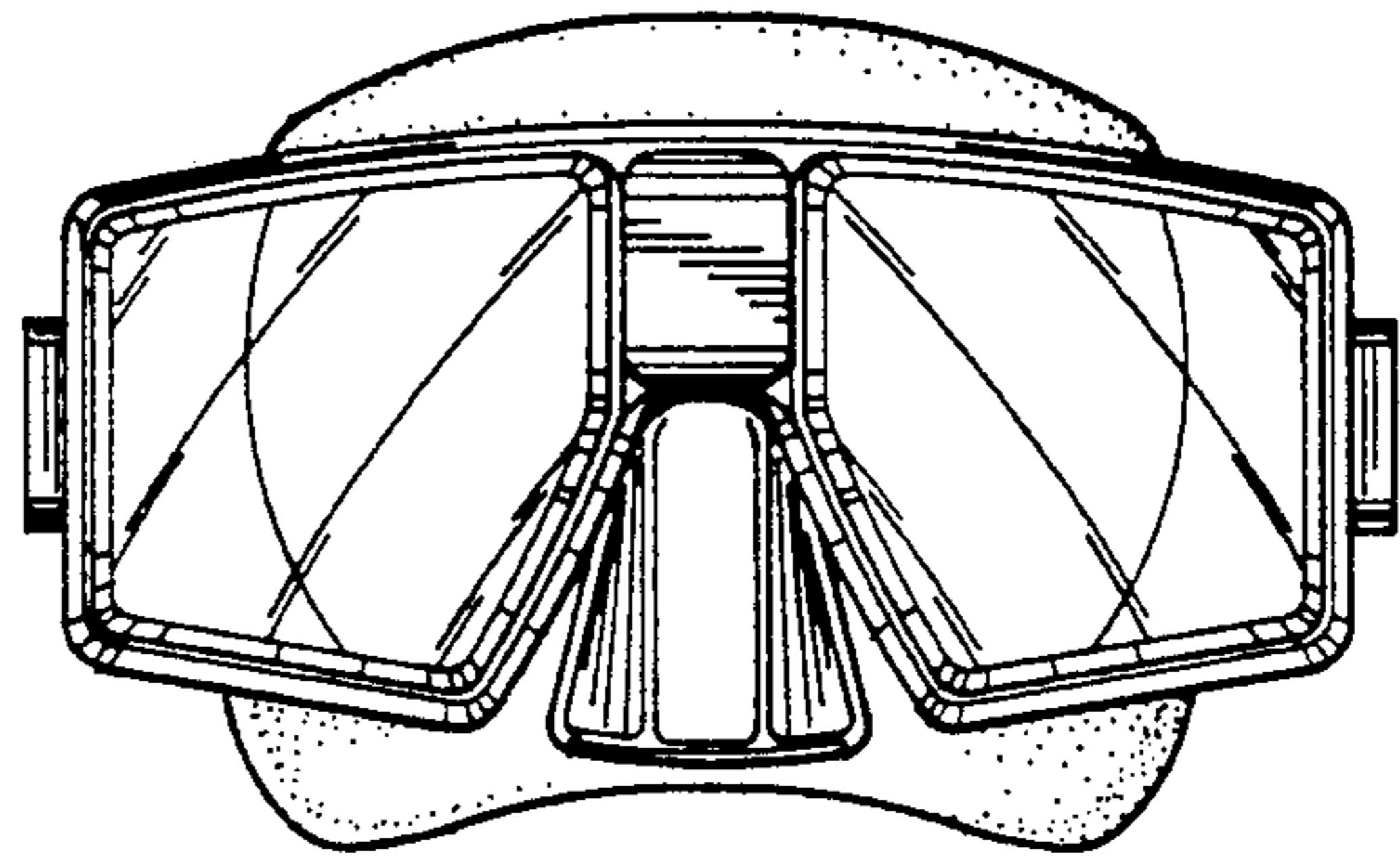


FIG. 9

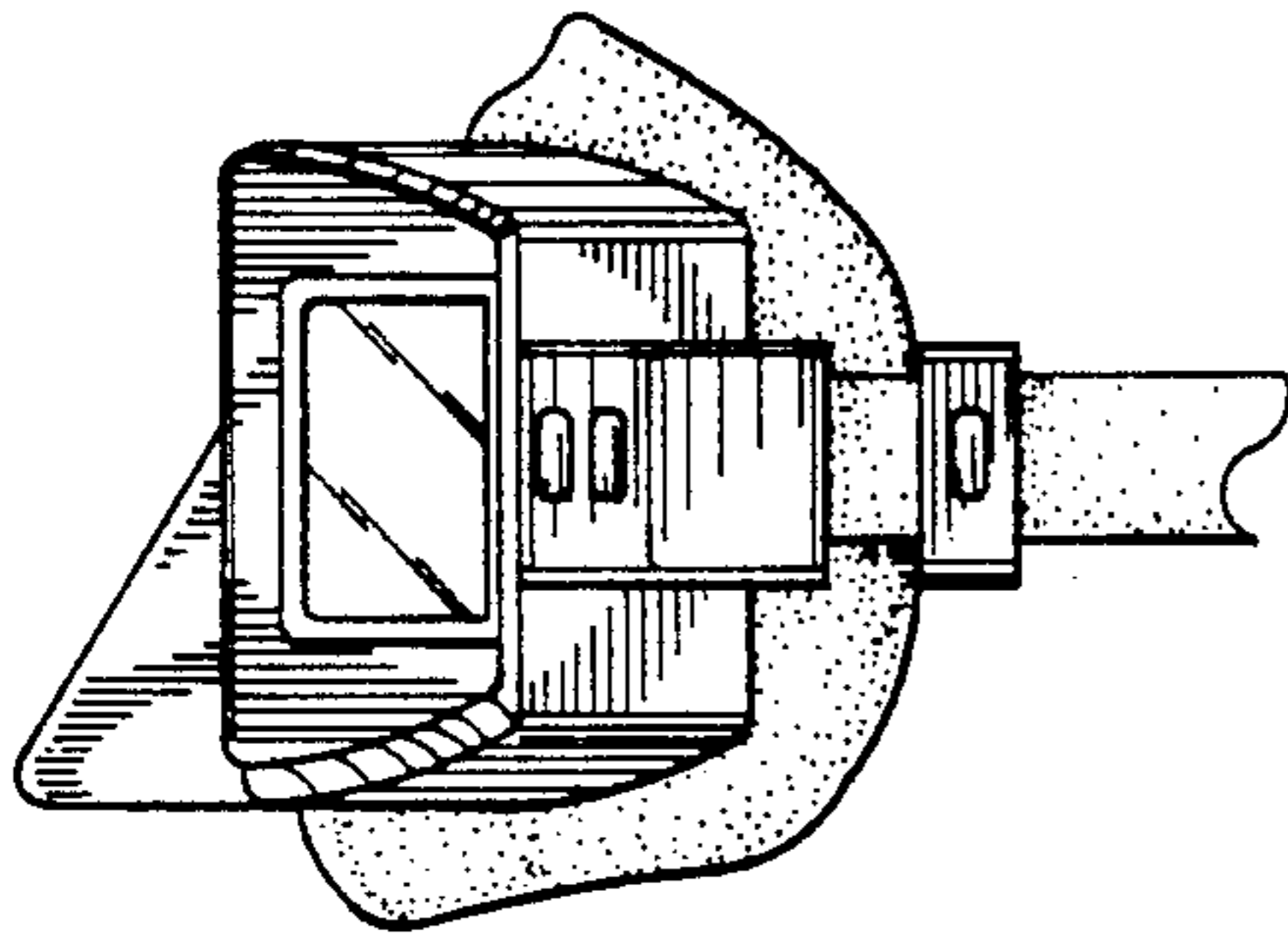


FIG. 8

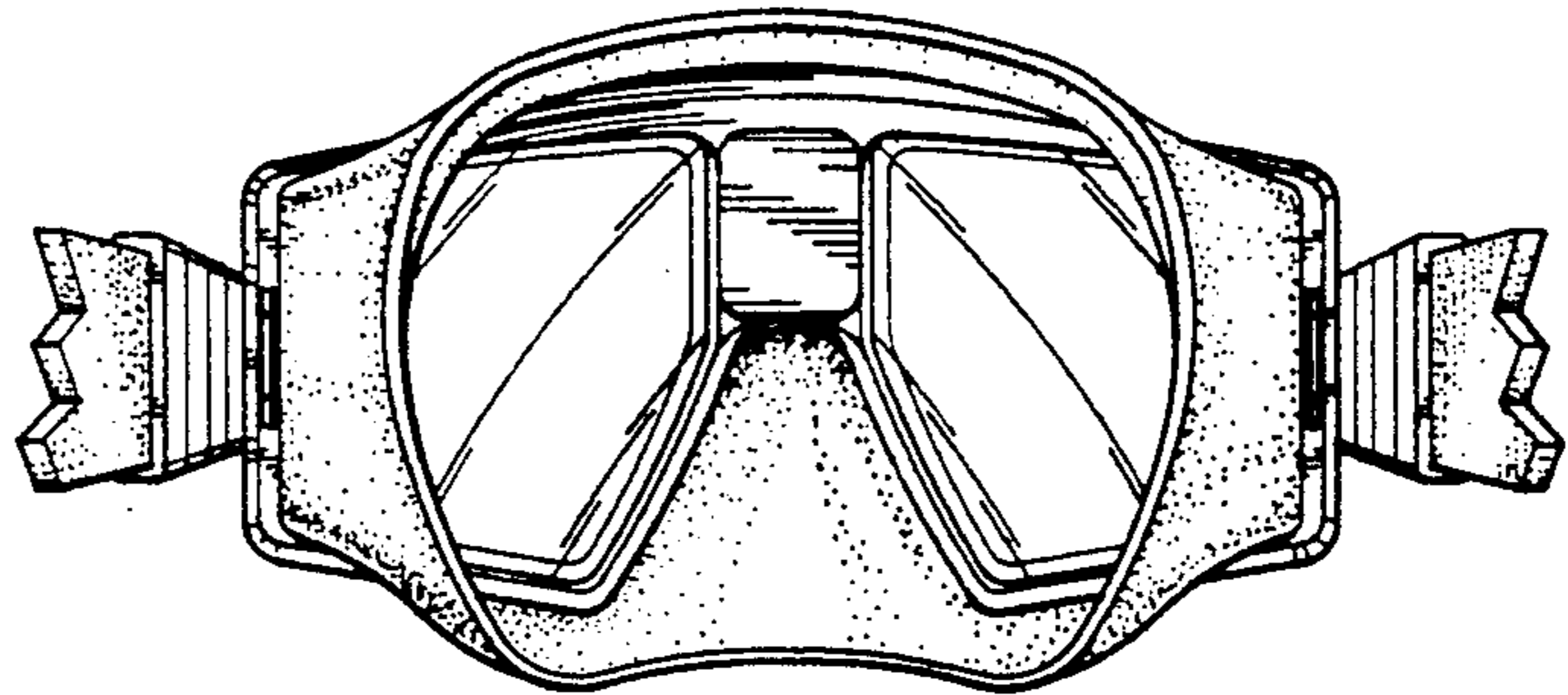


FIG. 11

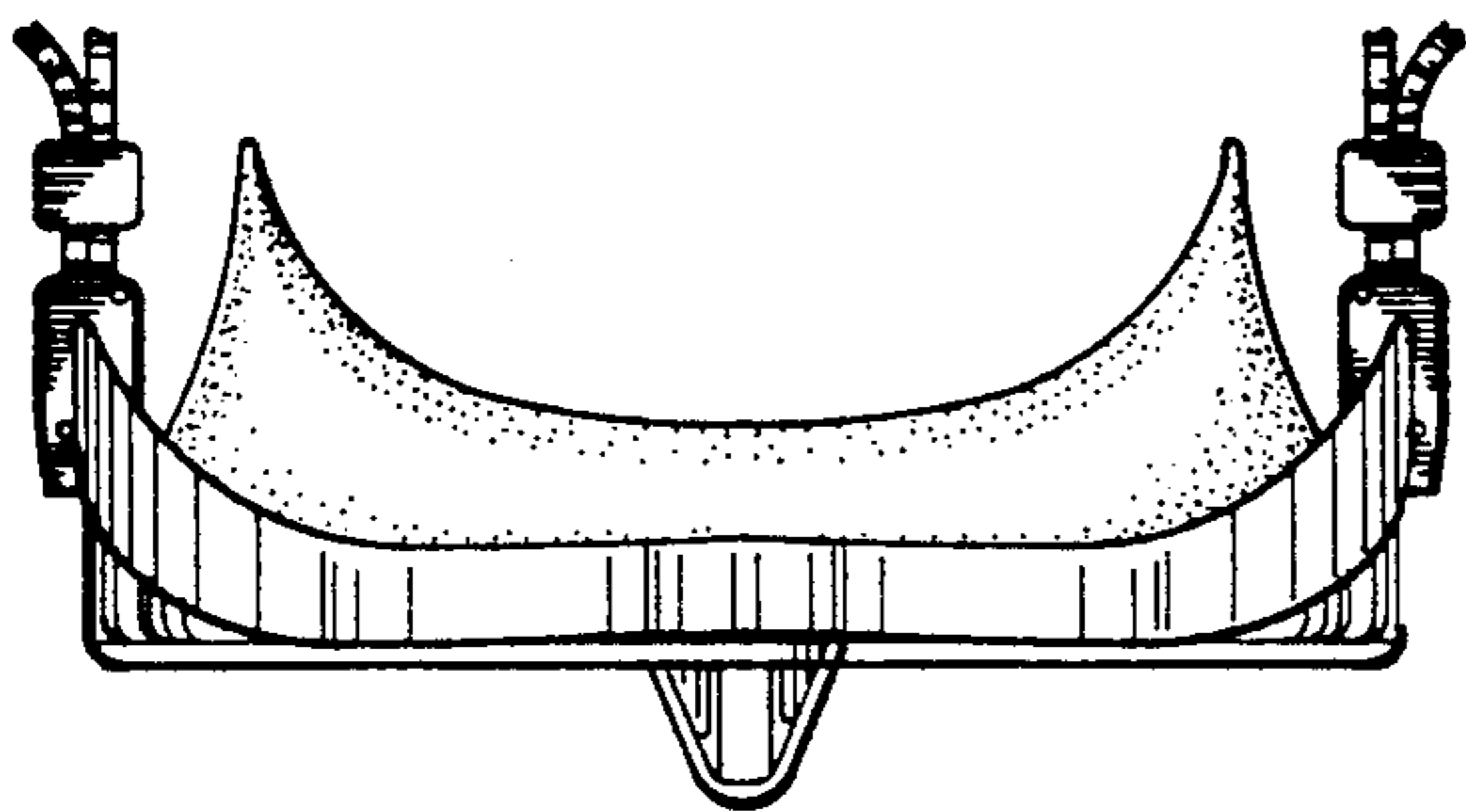


FIG. 10

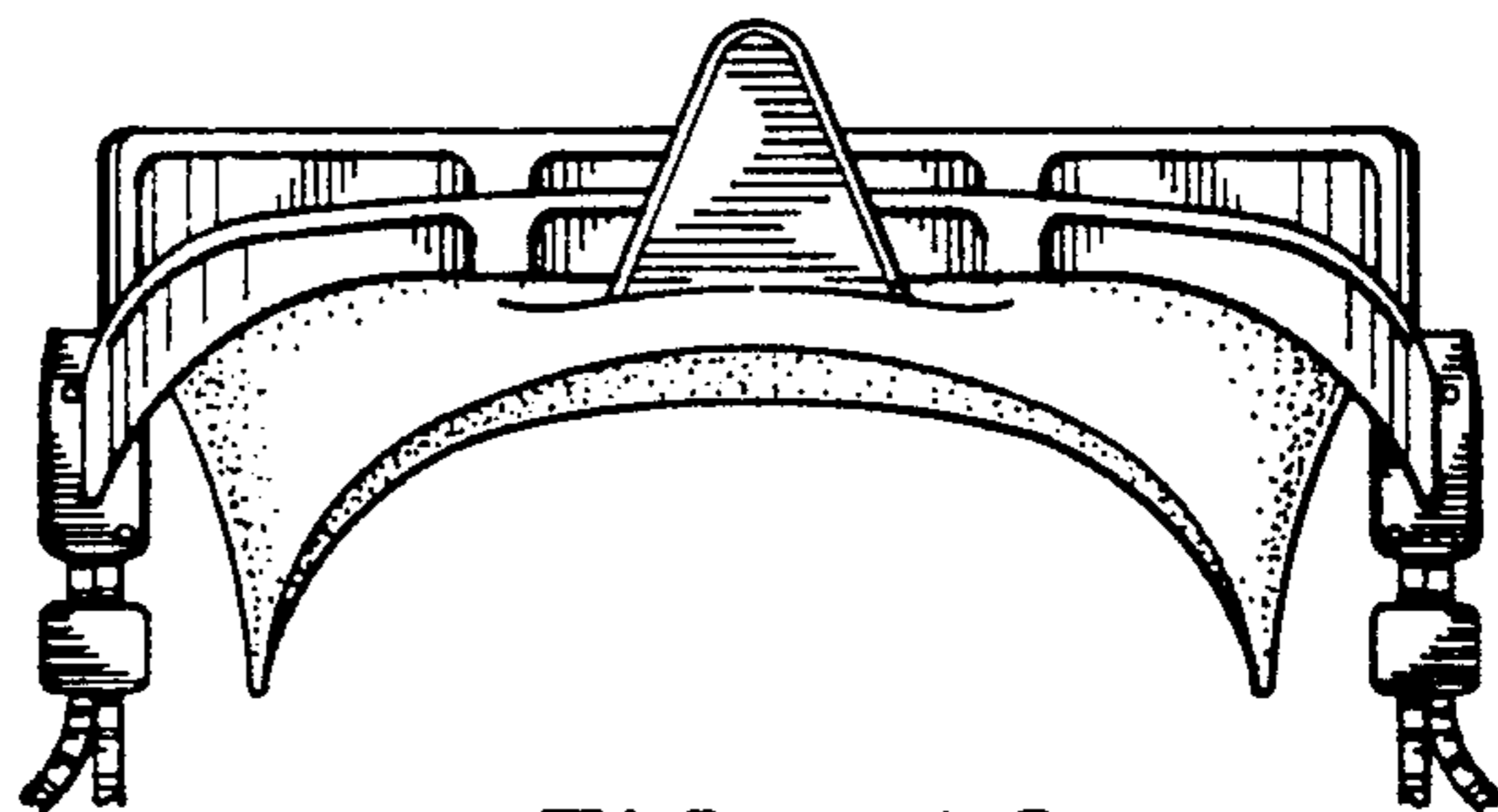


FIG. 12