



US00D334998S

United States Patent [19]

[11] Patent Number: **Des. 334,998**

Warner et al.

[45] Date of Patent: **** Apr. 20, 1993**

[54] **COMBINED ELECTRIC NAIL POLISH REMOVER AND HOLDER FOR MANICURE ITEMS**

2,942,141	7/1958	Rodrigues, Jr.	132/73.5
3,712,312	1/1973	Sussman	132/73.6
4,255,826	3/1981	Boyd	15/104.92 X
4,321,935	3/1982	Sussman	132/73

[75] Inventors: **Ronald C. Warner, Waleska; Craig M. Warner, Alpharetta, both of Ga.**

Primary Examiner—Bernard Ansher

Assistant Examiner—C. Tuttle

[73] Assignee: **Ron Warner Associates, Norcross, Ga.**

Attorney, Agent, or Firm—Kenneth E. Darnell

[**] Term: **14 Years**

[57] **CLAIM**

[21] Appl. No.: **637,746**

The ornamental design for a combined electric nail polish remover and holder for manicure items, as shown and described.

[22] Filed: **Jan. 7, 1991**

DESCRIPTION

[52] U.S. Cl. **D28/58; D28/61**

[58] Field of Search **D28/9, 56-59, D28/61, 73, 99; 132/73, 73.5, 73.6, 74.5, 75; 401/6; 15/104.92, 104.93, 105; D19/75, 77, 95; D6/519**

FIG. 1 is a top perspective view of a combined electric nail polish remover and holder for manicure items showing my new design;

FIG. 2 is a side elevational view seen from the left of FIG. 1;

FIG. 3 is a top plan view thereof;

FIG. 4 is an elevational view thereof, rotated 90 degrees from the right of FIG. 2;

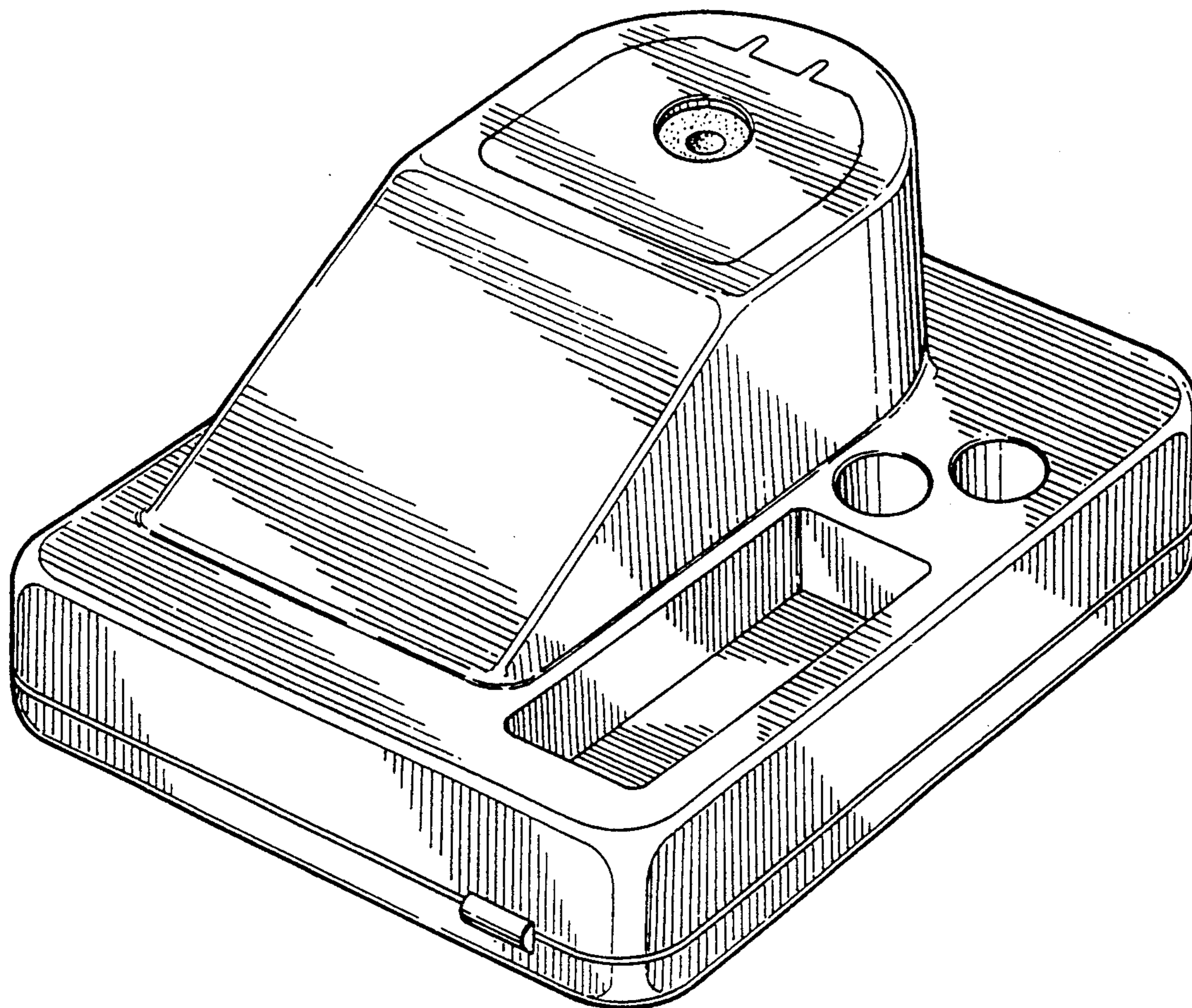
FIG. 5 is an elevational view of the opposite side of FIG. 4; and,

FIG. 6 is a bottom plan view thereof.

[56] **References Cited**

U.S. PATENT DOCUMENTS

D. 109,208	4/1938	Conradson	D28/61
D. 277,322	1/1985	West	D28/58
D. 288,883	3/1987	Loughridge	D6/519



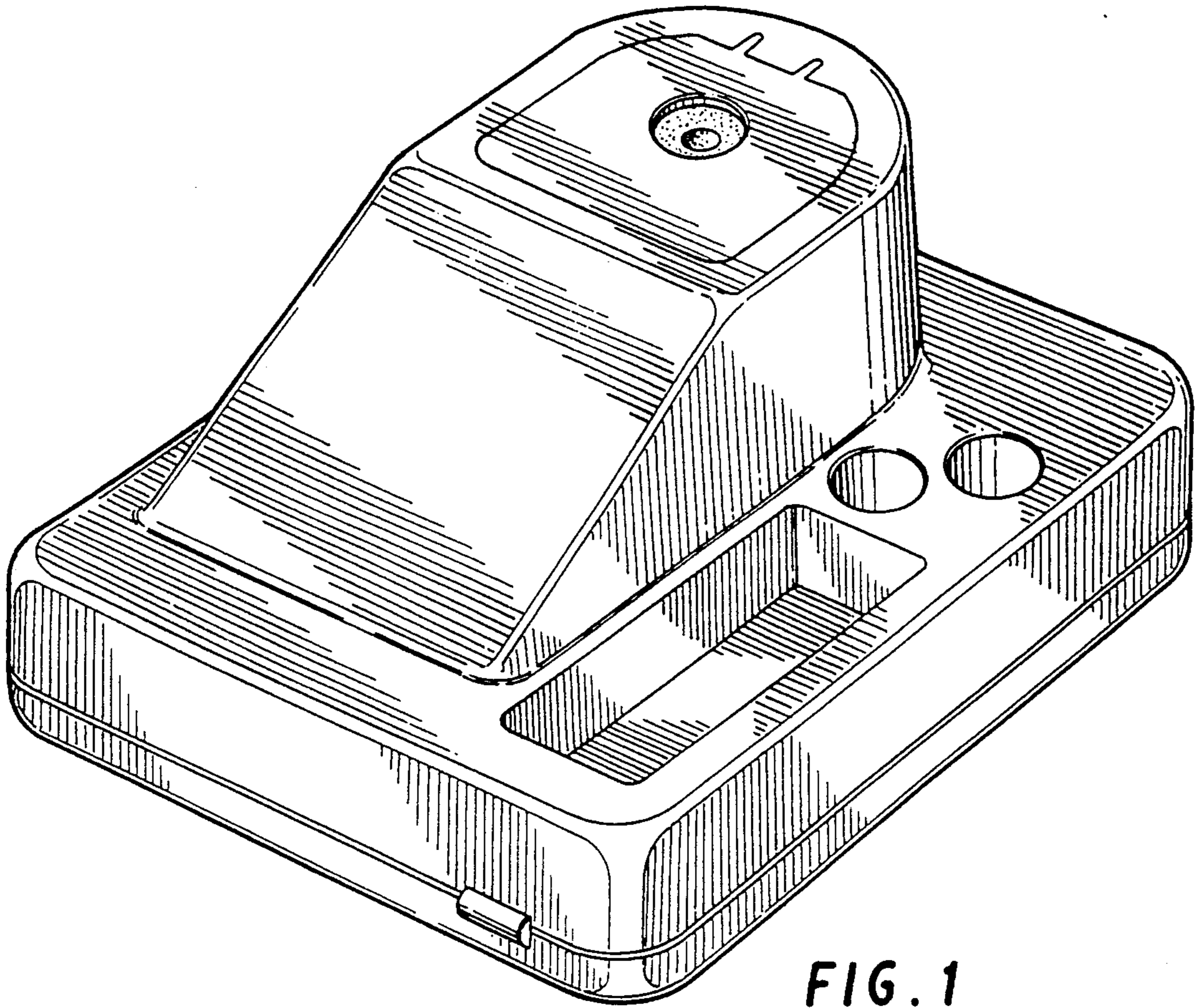


FIG. 1

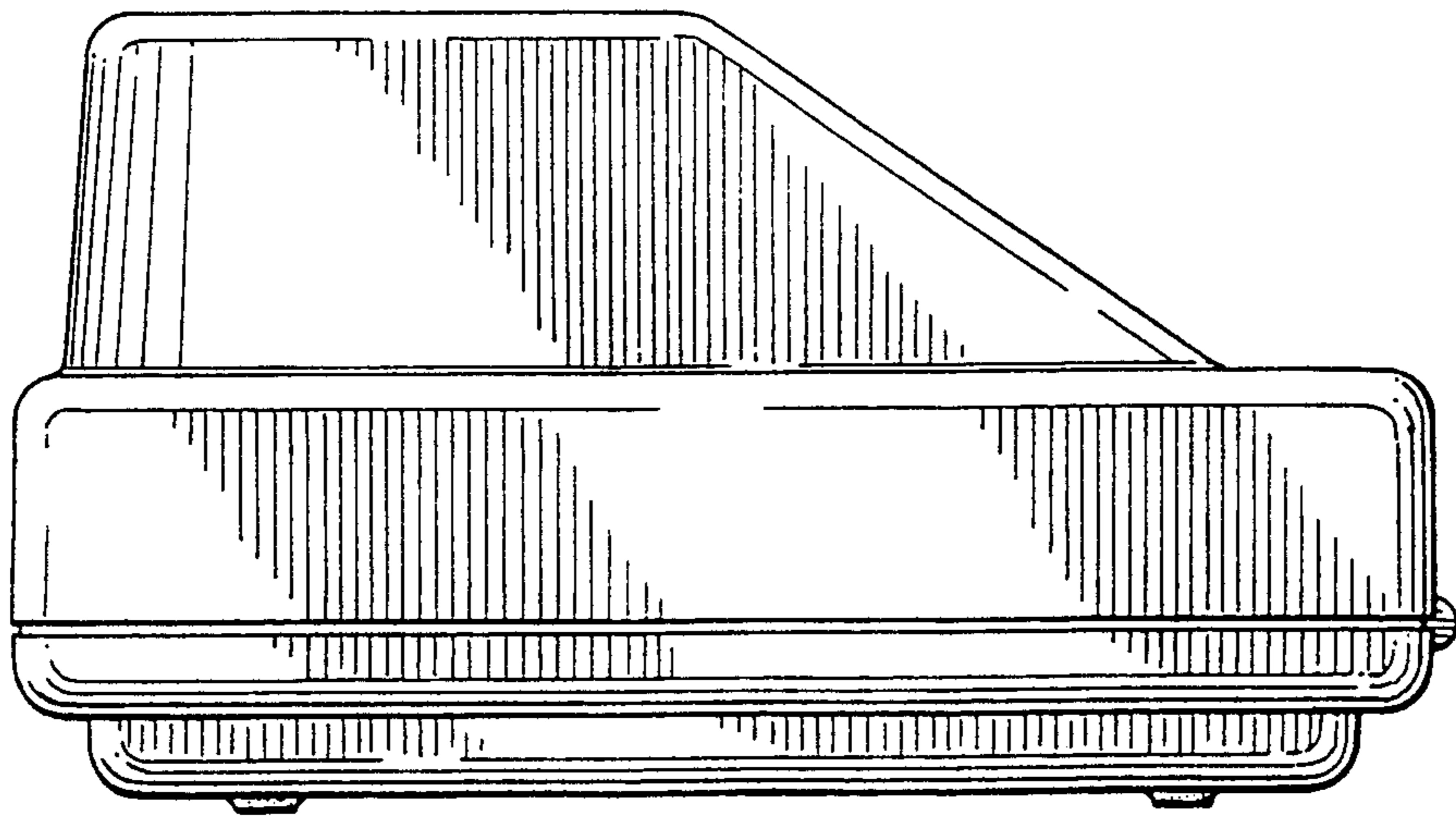


FIG. 2

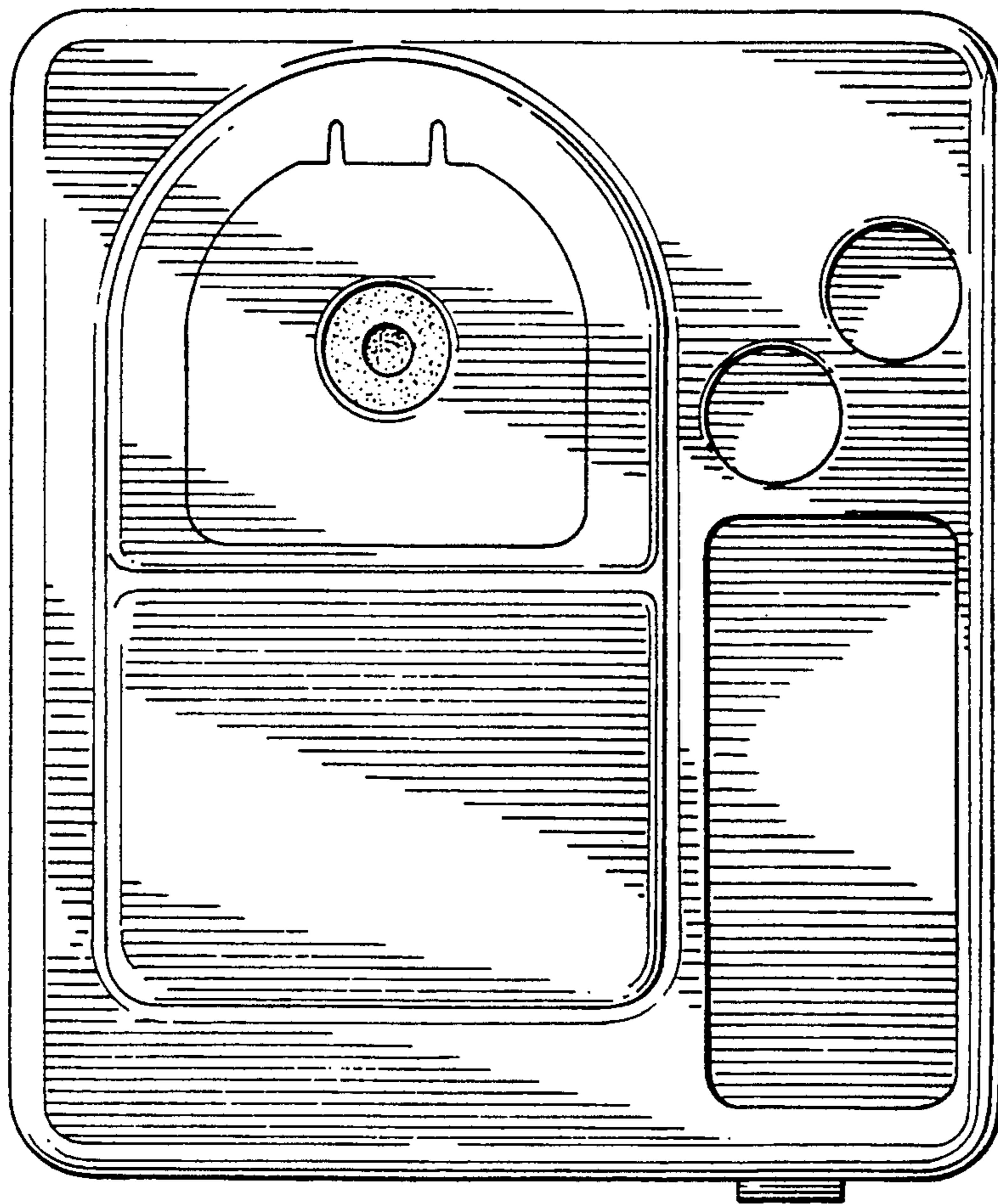


FIG. 3

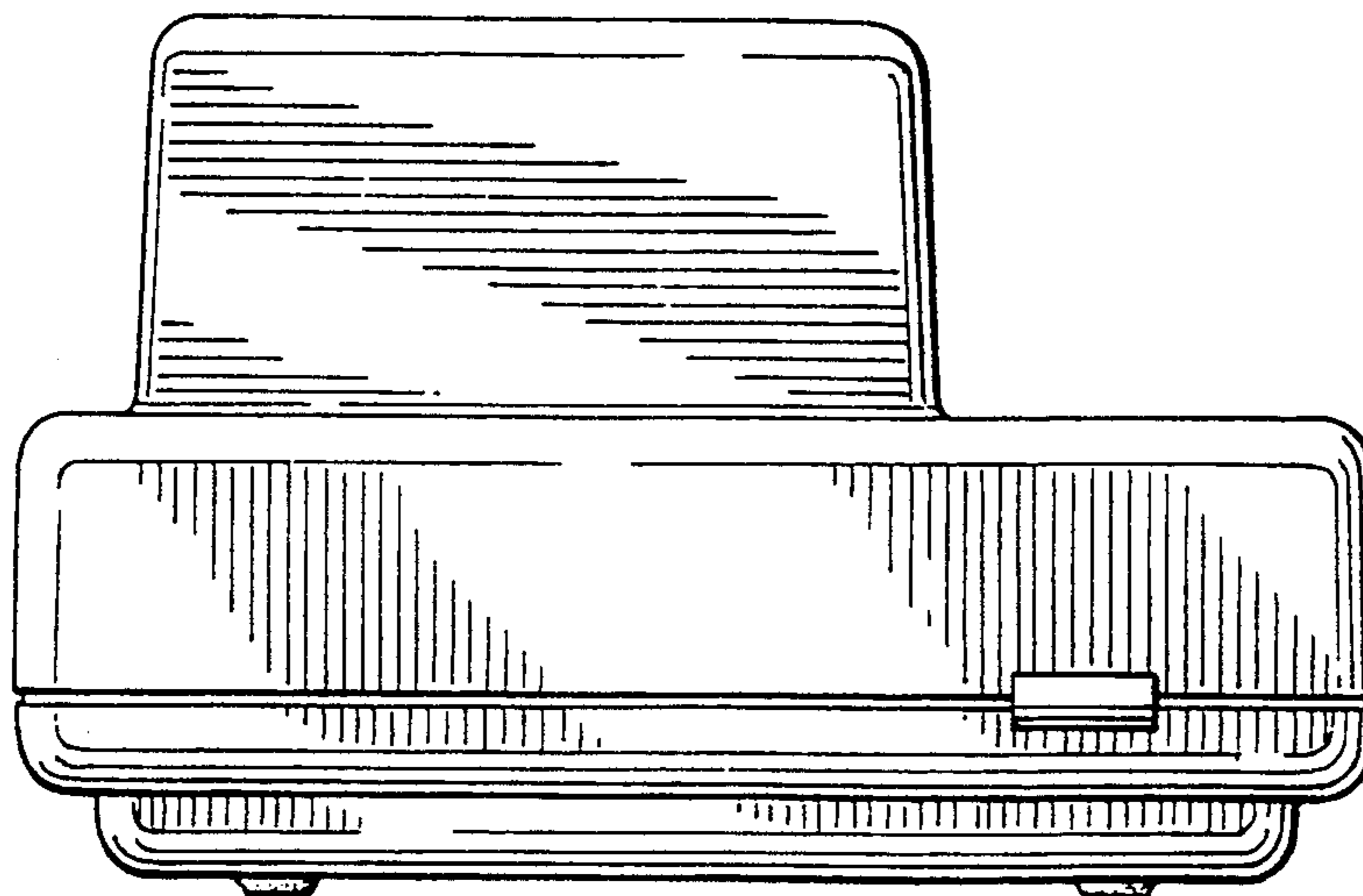


FIG. 4

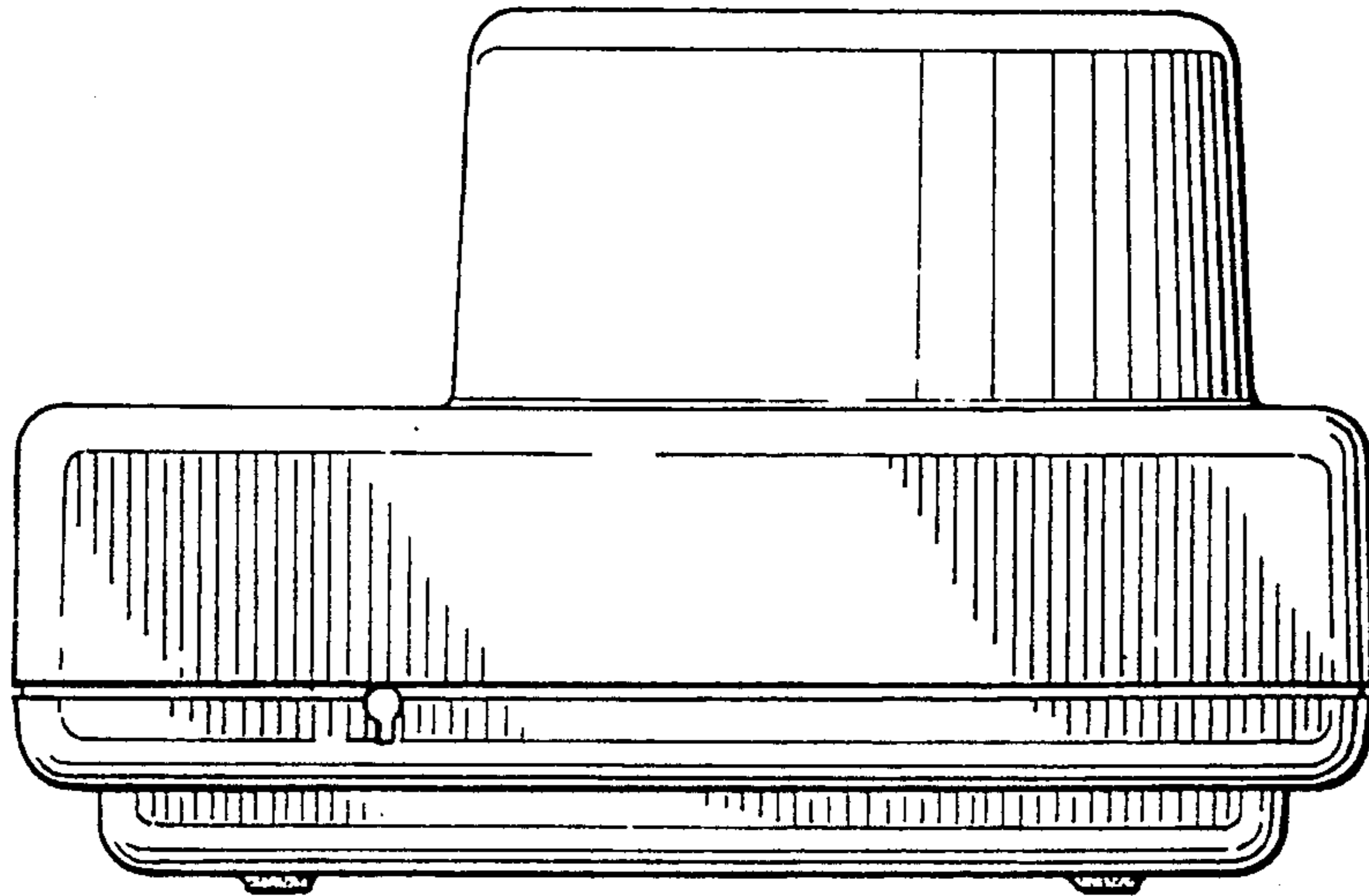


FIG. 5

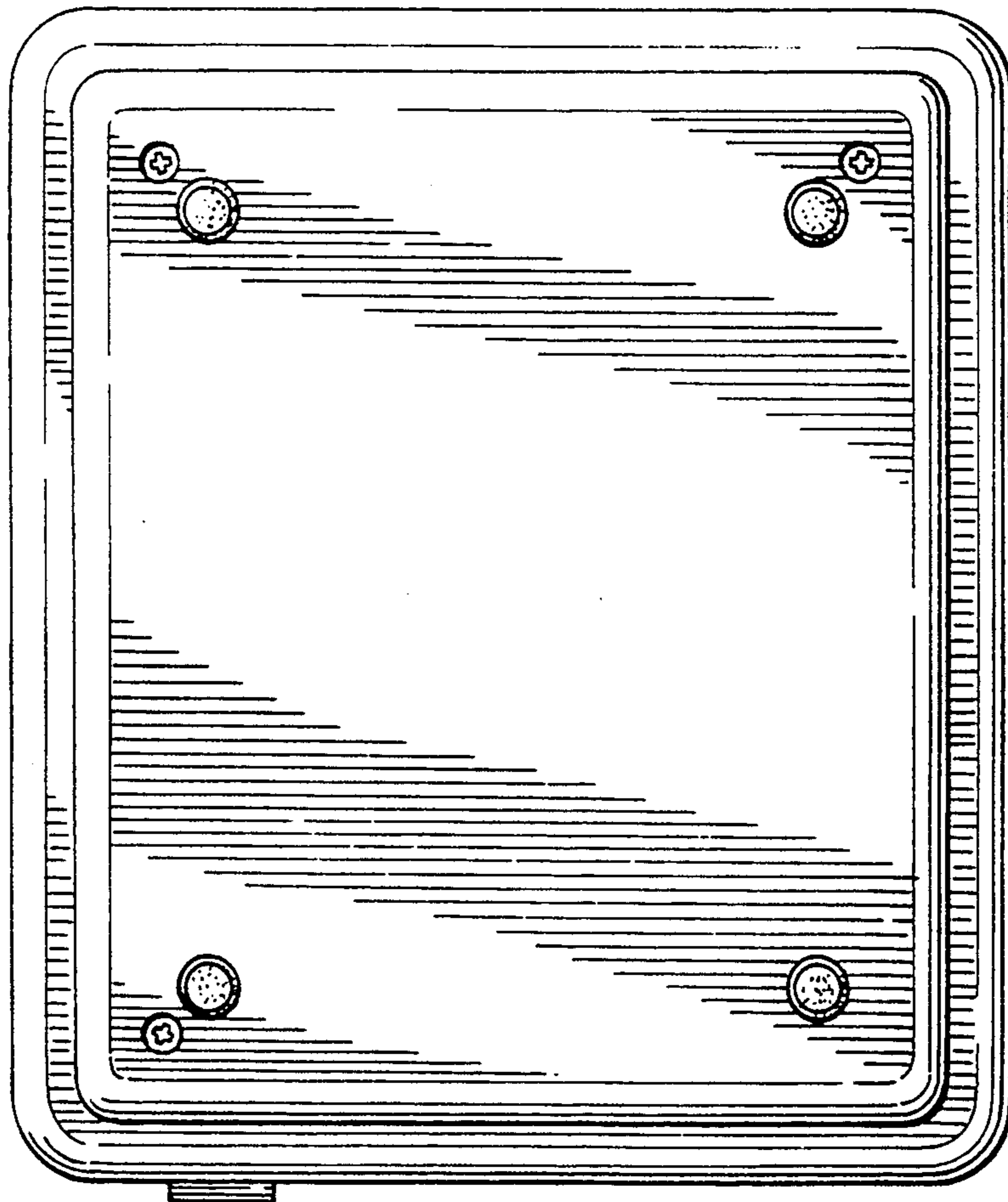


FIG. 6