



US00D334994S

United States Patent [19]
Blet

[11] **Patent Number: Des. 334,994**

[45] **Date of Patent: ** Apr. 20, 1993**

[54] **ADJUSTABLE LAMP**

[75] **Inventor: Thierry Blet, Paris, France**

[73] **Assignee: Societe Elixir, Paris, France**

[**] **Term: 14 Years**

[21] **Appl. No.: 732,308**

[22] **Filed: Jul. 18, 1991**

[30] **Foreign Application Priority Data**

Jan. 18, 1991 [FR] France 910297

[52] **U.S. Cl. D26/65**

[58] **Field of Search D26/60-66;**
362/413, 418, 419, 427, 428, 269, 225, 287, 401,
402

[56] **References Cited**

U.S. PATENT DOCUMENTS

D. 310,886 9/1990 Gismondi D26/65

D. 326,535 5/1992 Hsia D26/65

Primary Examiner—Susan J. Lucas
Attorney, Agent, or Firm—Sandler, Greenblum &
Bernstein

[57] **CLAIM**

The ornamental design for an adjustable lamp, as shown and described.

DESCRIPTION

FIG. 1 is a right side elevational view of an adjustable lamp showing my new design;

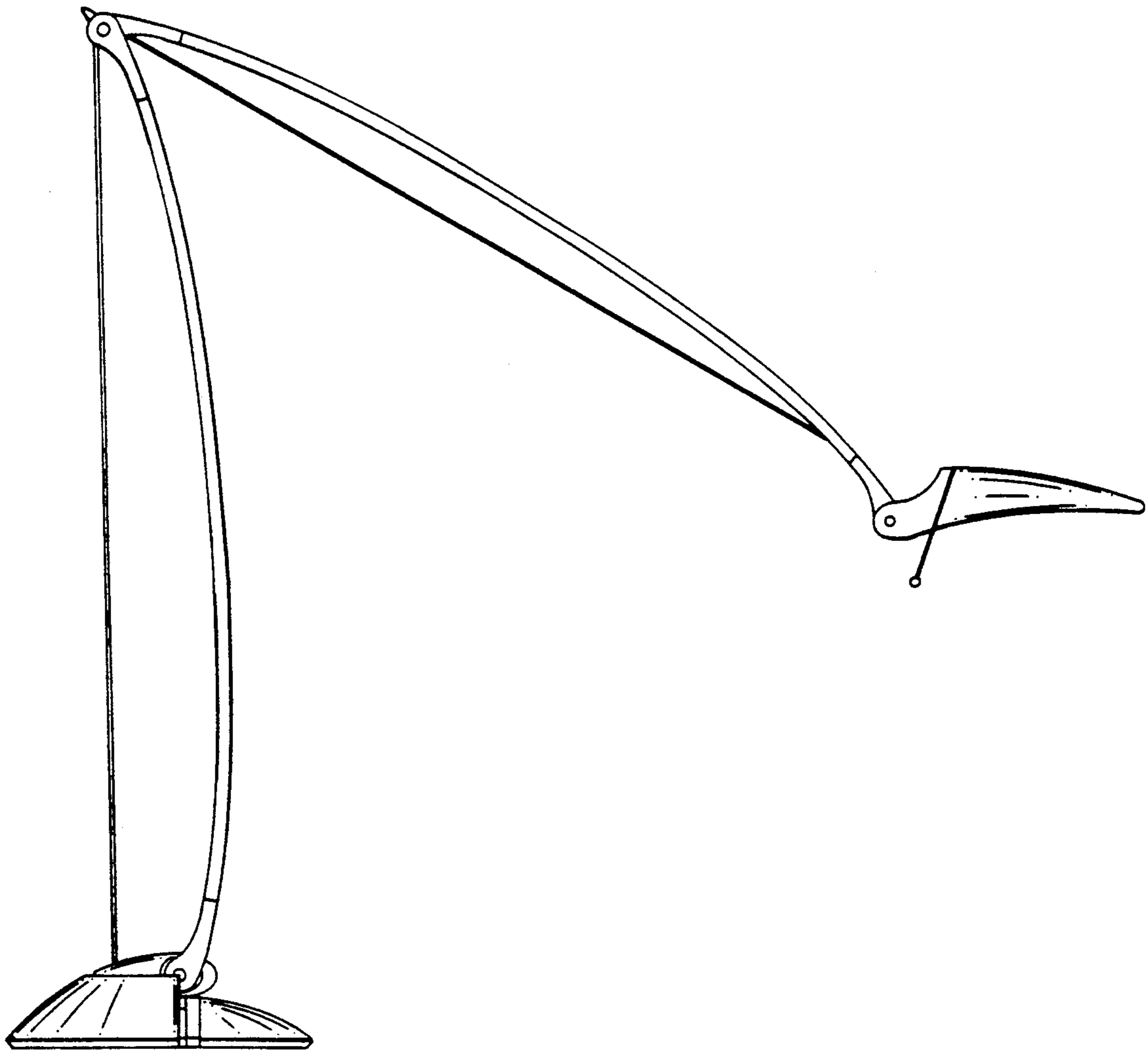
FIG. 2 is a left side elevational view thereof;

FIG. 3 is a top plan view thereof;

FIG. 4 is a bottom plan view thereof;

FIG. 5 is a front elevational view thereof; and,

FIG. 6 is a rear elevational view thereof.



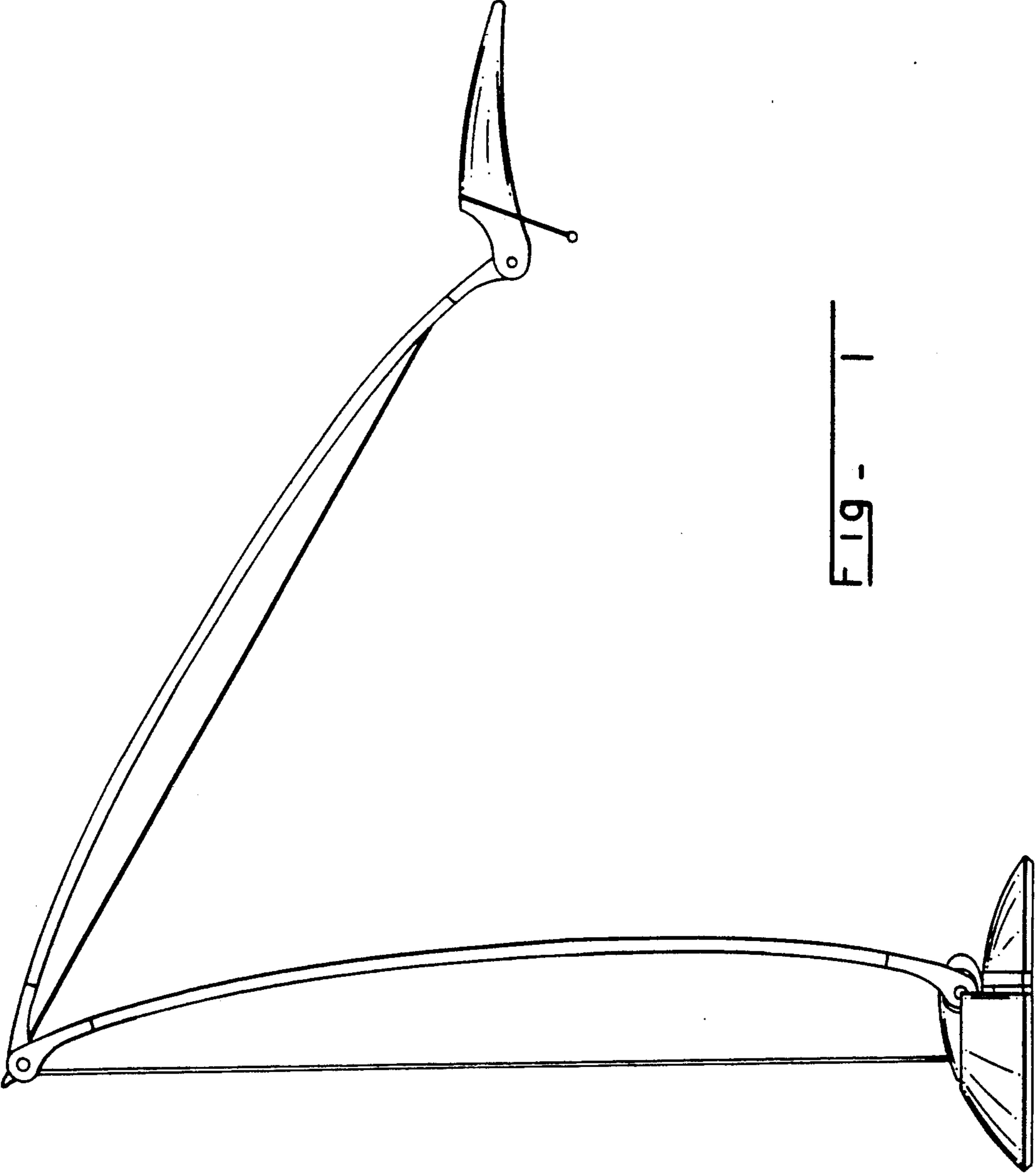


FIG. 1

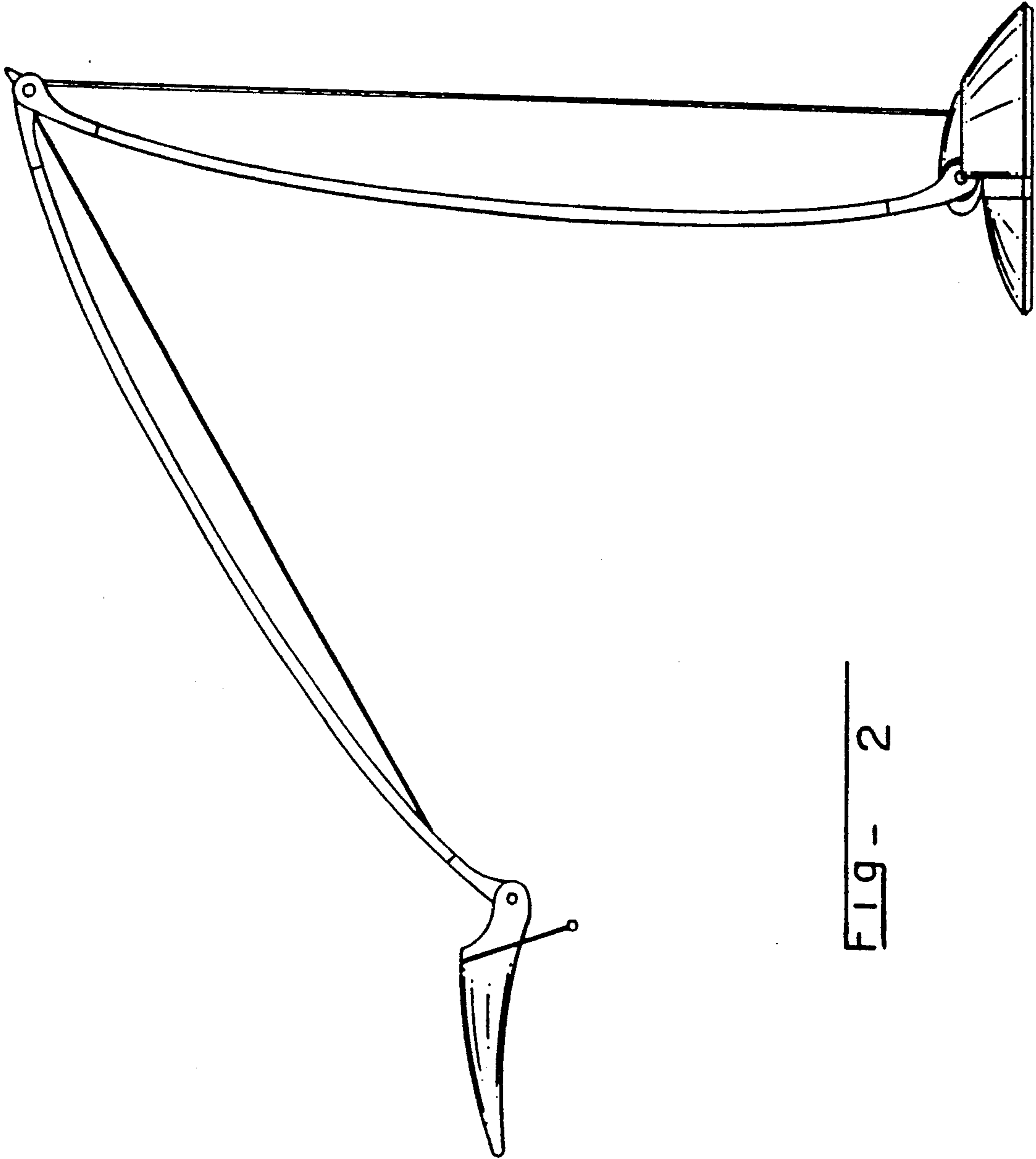
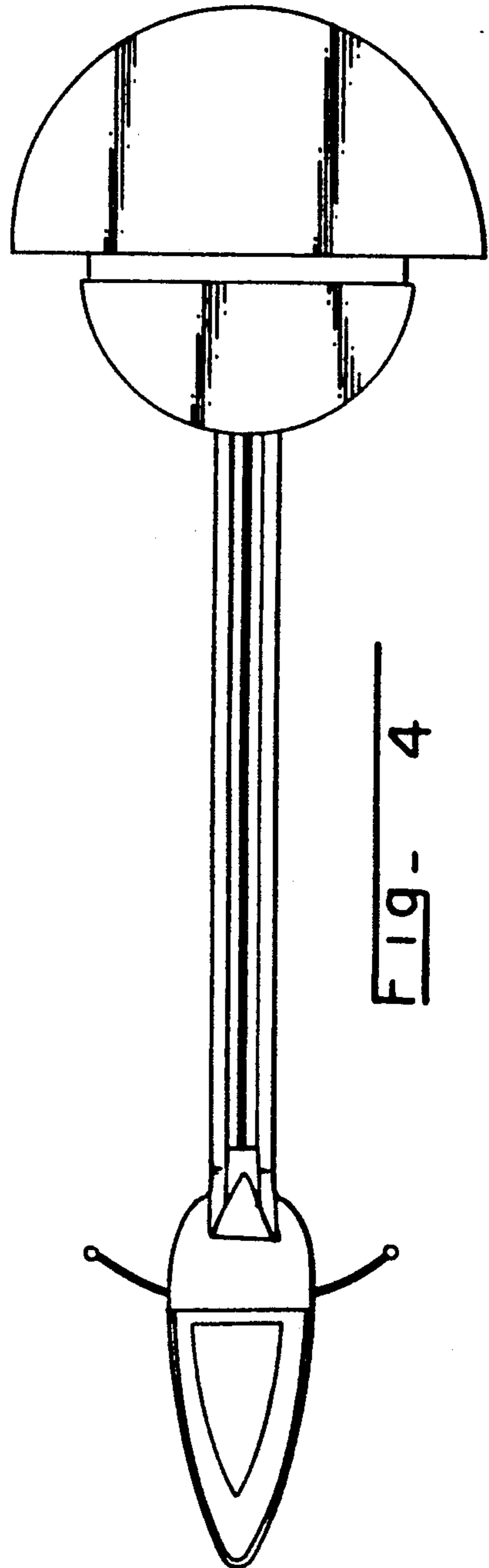
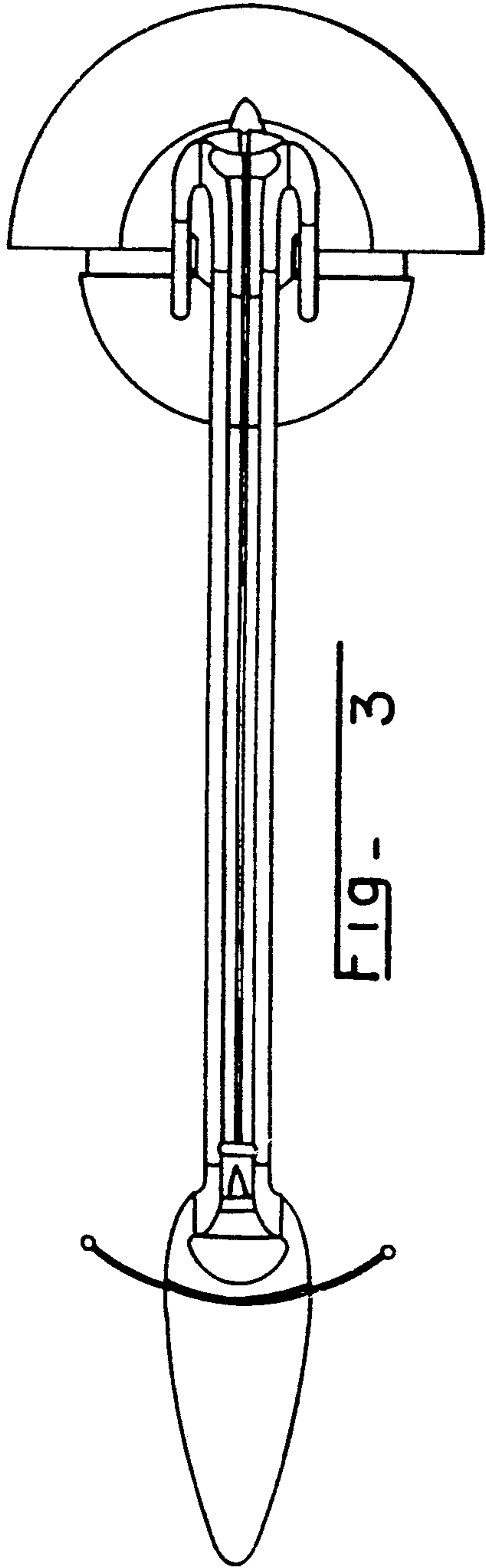


FIG- 2



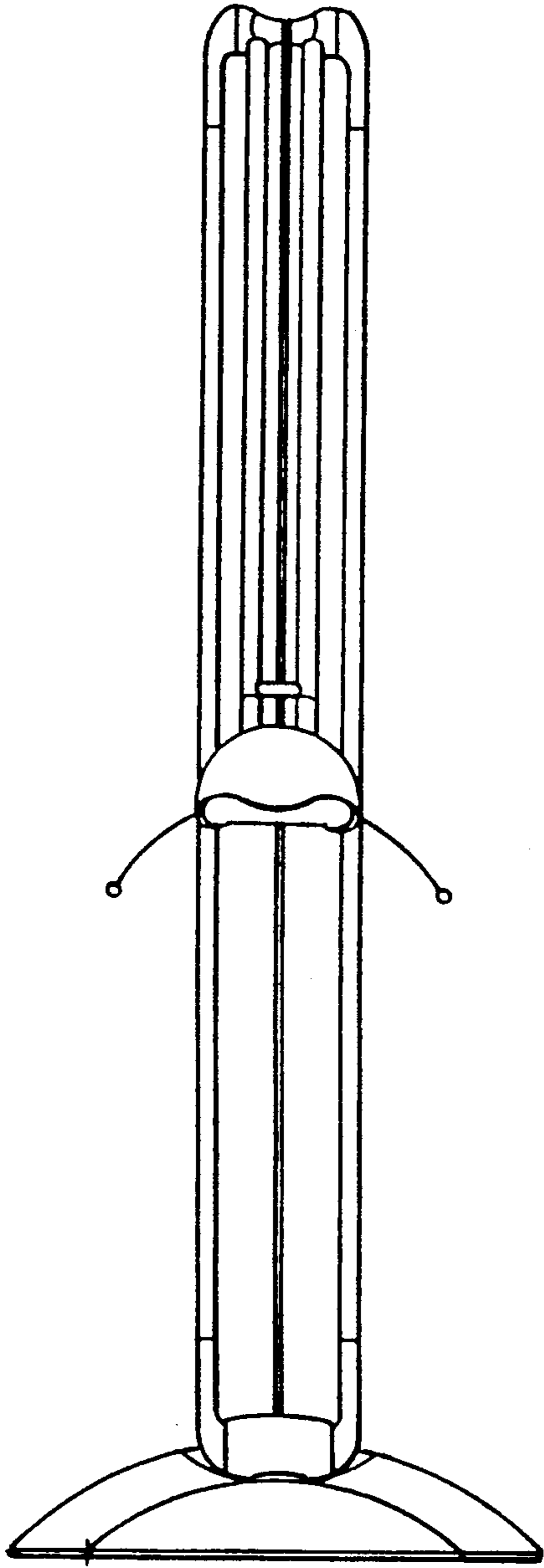


Fig - 5

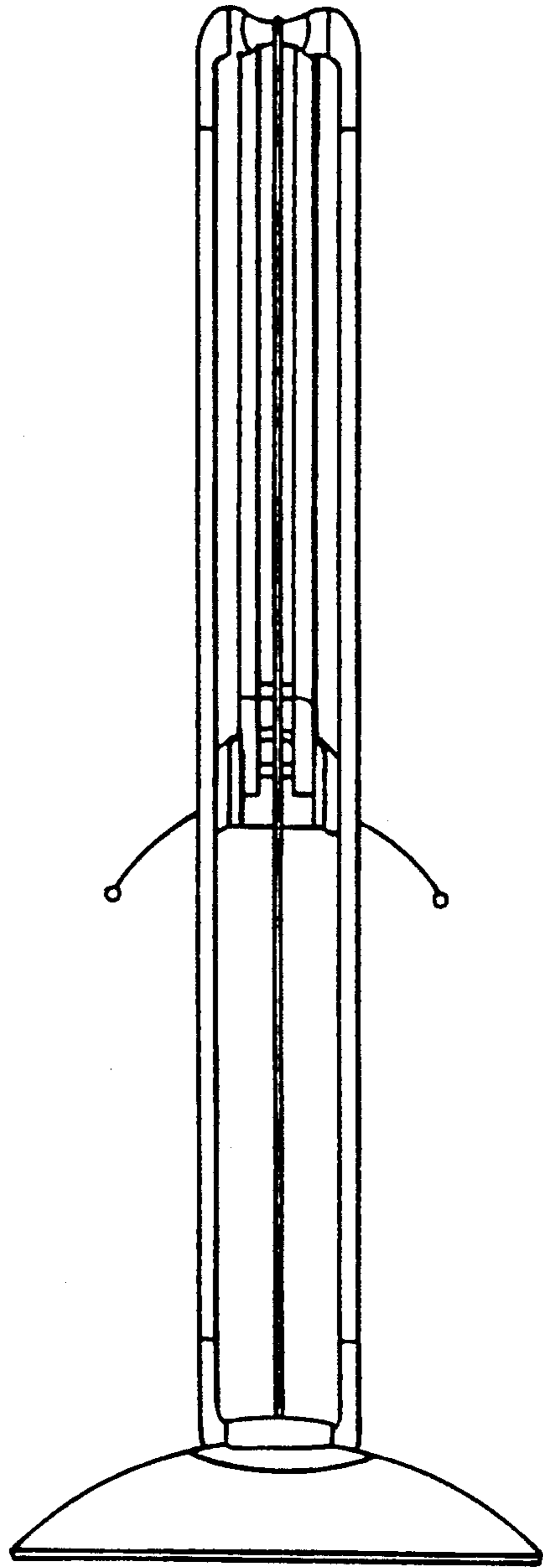


Fig - 6

UNITED STATES PATENT AND TRADEMARK OFFICE
CERTIFICATE OF CORRECTION

PATENT NO. : DES 334,994

DATED : April 20, 1993

INVENTOR(S) : T. BLET

It is certified that error appears in the above-identified patent and that said Letters Patent is hereby corrected as shown below:

On the cover page, under the Foreign Application Priority Data of the printed patent, change "910297" to ~~910297~~—910298—.

Signed and Sealed this
Fourth Day of January, 1994



BRUCE LEHMAN

Commissioner of Patents and Trademarks

Attest:

Attesting Officer