



US00D334989S

United States Patent [19]
Cole

[11] **Patent Number: Des. 334,989**

[45] **Date of Patent: ** Apr. 20, 1993**

[54] **WINDOW COMPONENT EXTRUSION**

[75] **Inventor: Douglas L. Cole, Seattle, Wash.**

[73] **Assignee: Mikron Industries, Kent, Wash.**

[**] **Term: 14 Years**

[21] **Appl. No.: 880,355**

[22] **Filed: May 7, 1992**

[52] **U.S. Cl. D25/124**

[58] **Field of Search D25/52, 122, 124, 125;
49/501, 504, DIG. 2; 52/202-204**

[56]

References Cited

U.S. PATENT DOCUMENTS

D. 299,970 2/1989 Hardy D25/124
D. 307,943 5/1990 Westphal et al. D25/124
D. 314,241 1/1991 Slocomb, Jr. D25/124
3,859,754 1/1975 Budich et al. 49/504

Primary Examiner—A. Hugo Word

Assistant Examiner—Doris Clark

Attorney, Agent, or Firm—Seed and Berry

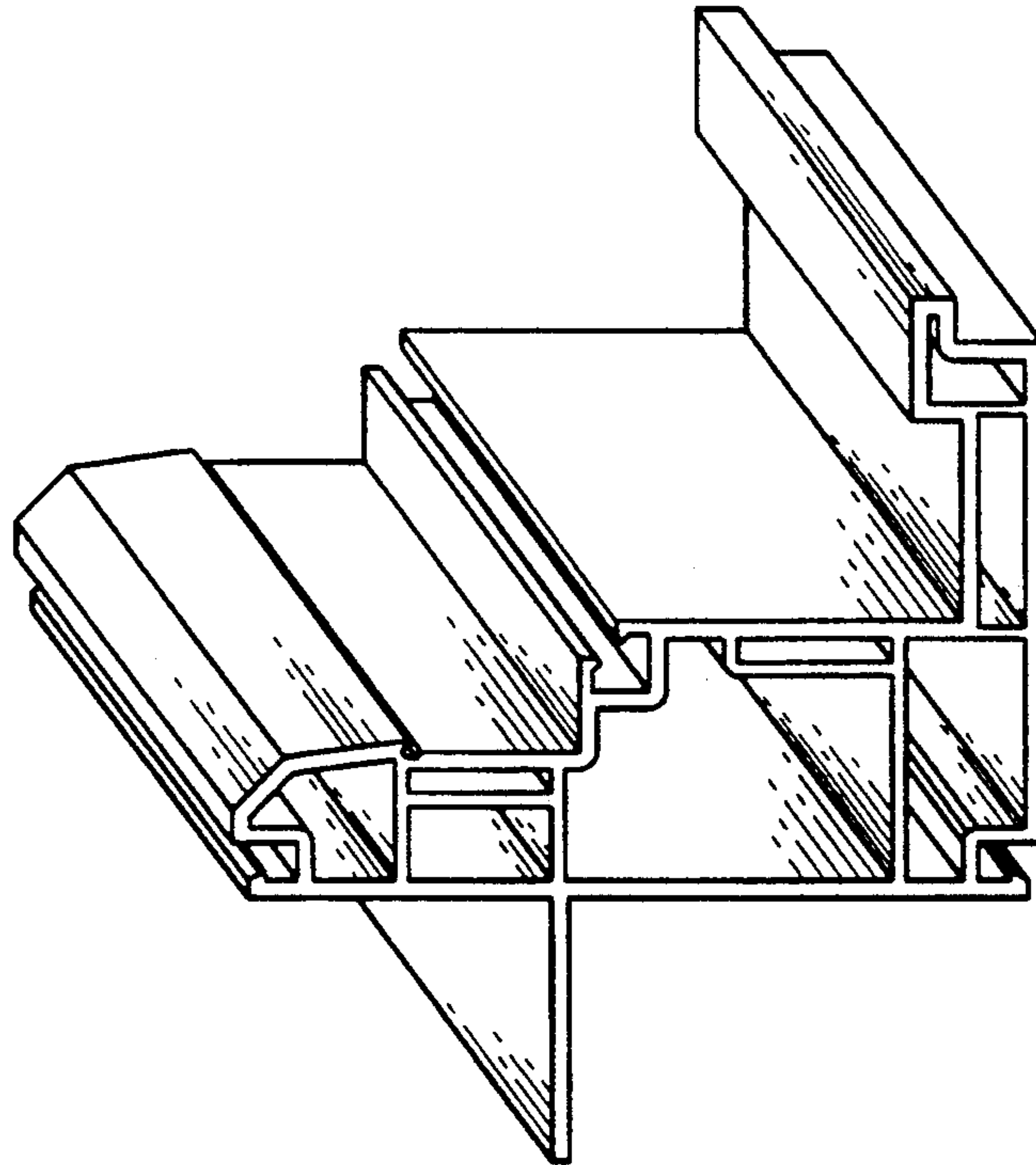
[57]

CLAIM

The ornamental design for a window component extrusion, as shown and described.

DESCRIPTION

FIG. 1 is a top, right, perspective view of a window component extrusion showing my new design; and, FIG. 2 is a bottom, left, perspective view thereof.



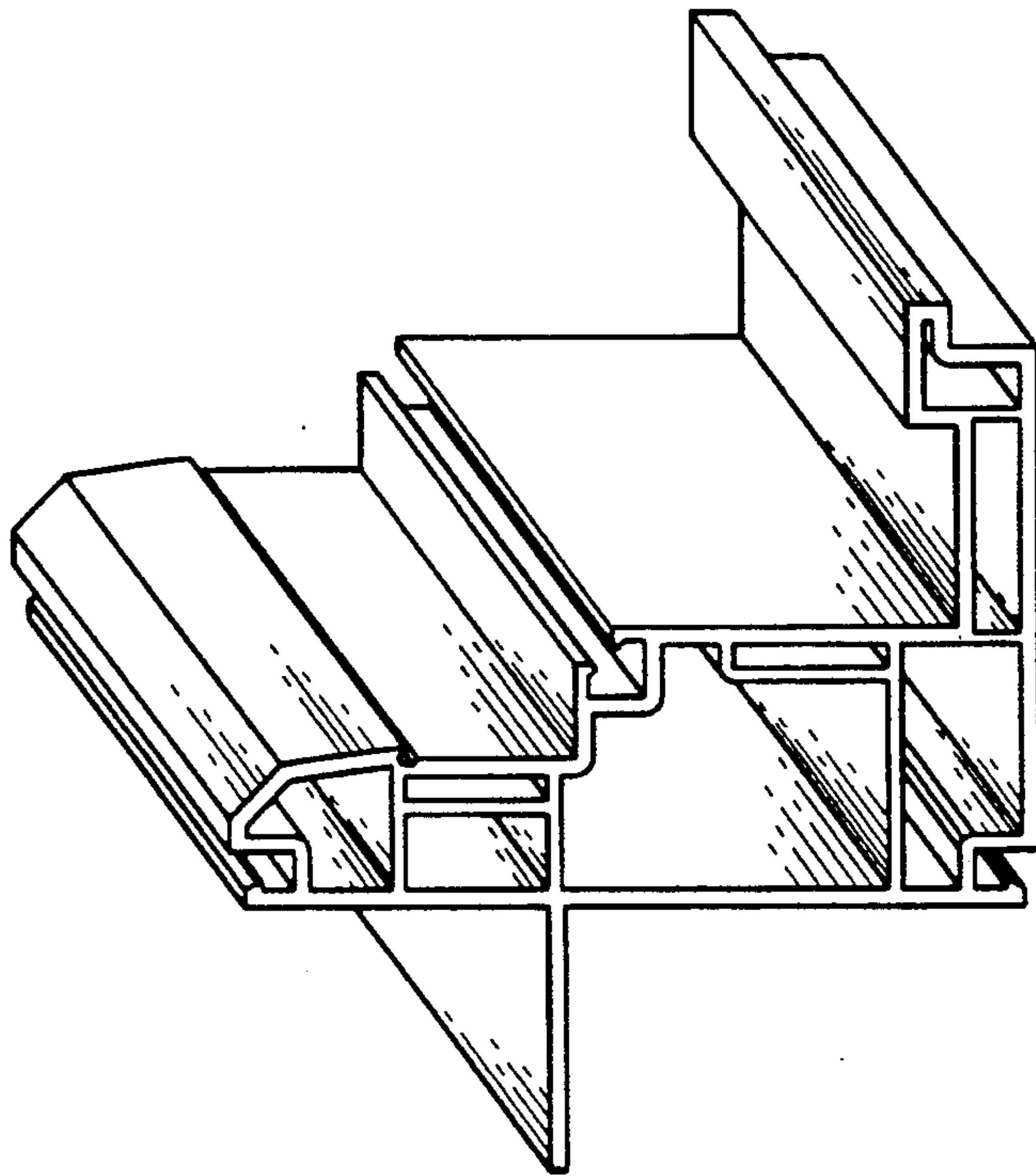


FIG. 1

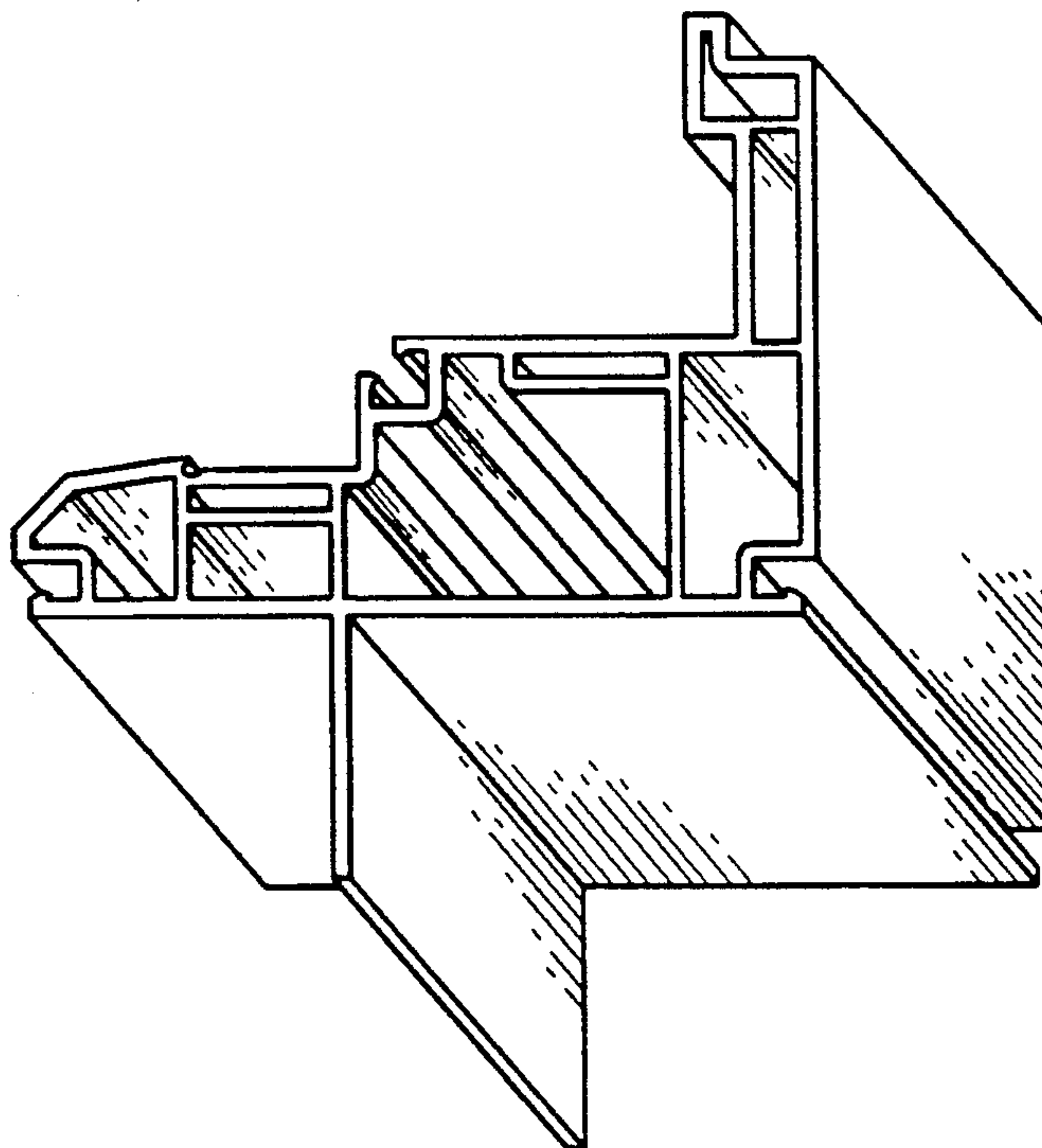


FIG. 2