



US00D334988S

United States Patent [19]
Cole

[11] **Patent Number: Des. 334,988**
[45] **Date of Patent: ** Apr. 20, 1993**

[54] **WINDOW MEETING RAIL EXTRUSION**

[56] **References Cited**

[75] **Inventor: Douglas L. Cole, Seattle, Wash.**

U.S. PATENT DOCUMENTS

D. 289,204 4/1987 Hardy D25/124
4,555,868 12/1985 Mancuso 49/504
4,740,405 4/1988 Tanaka et al. 49/DIG. 2

[73] **Assignee: Mikron Industries, Kent, Wash.**

Primary Examiner—A. Hugo Word
Assistant Examiner—Doris Clark
Attorney, Agent, or Firm—Seed and Berry

[**] **Term: 14 Years**

[57] **CLAIM**

[21] **Appl. No.: 708,782**

The ornamental design for a window meeting rail extrusion, as shown and described.

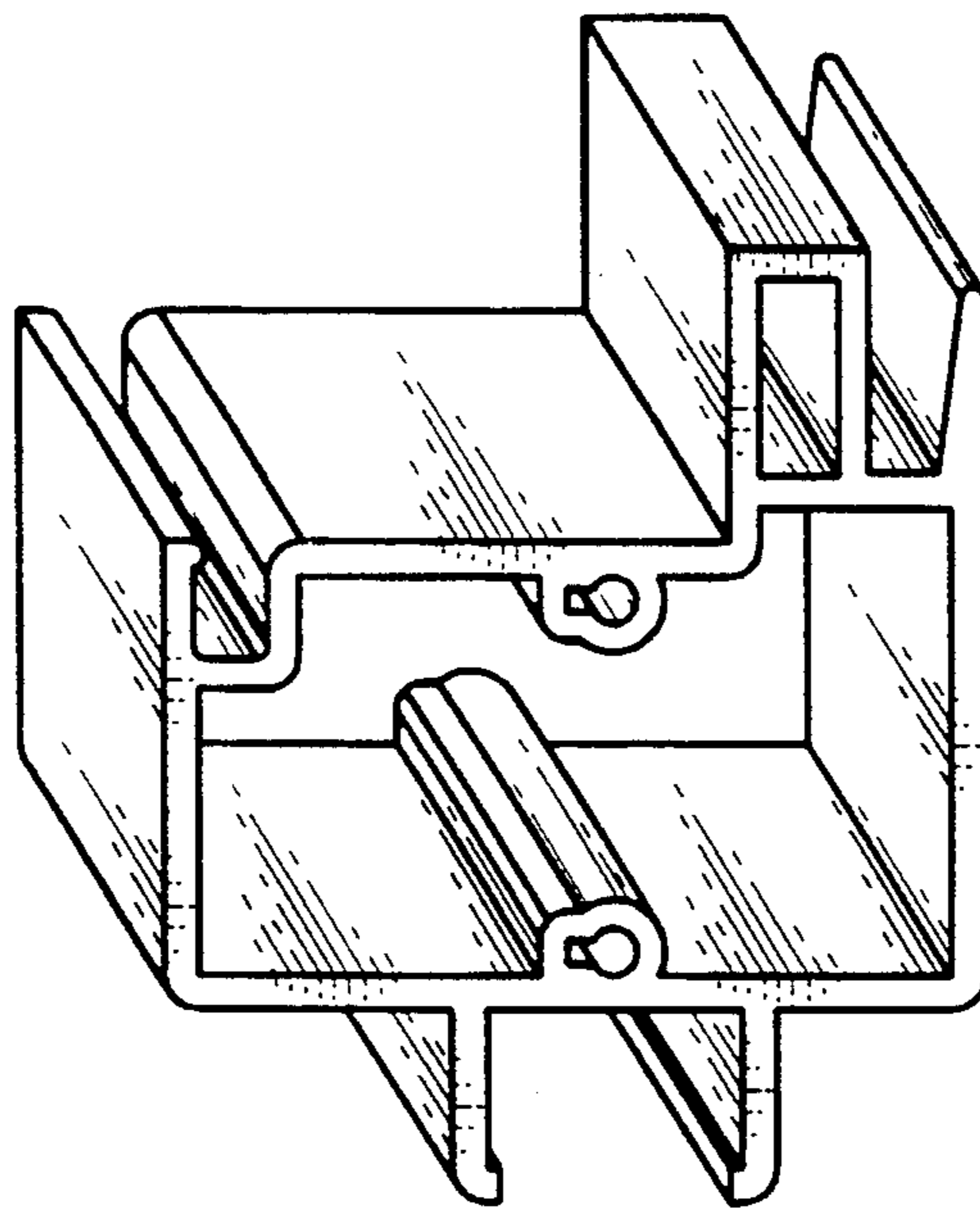
[22] **Filed: May 30, 1991**

DESCRIPTION

[52] **U.S. Cl. D25/124**

FIG. 1 is a top, right, perspective view of a window meeting rail extrusion showing my new design; and, FIG. 2 is a bottom, left, perspective view thereof.

[58] **Field of Search D25/52, 122, 124, 125;
49/501, 504, DIG. 2; 52/202-204**



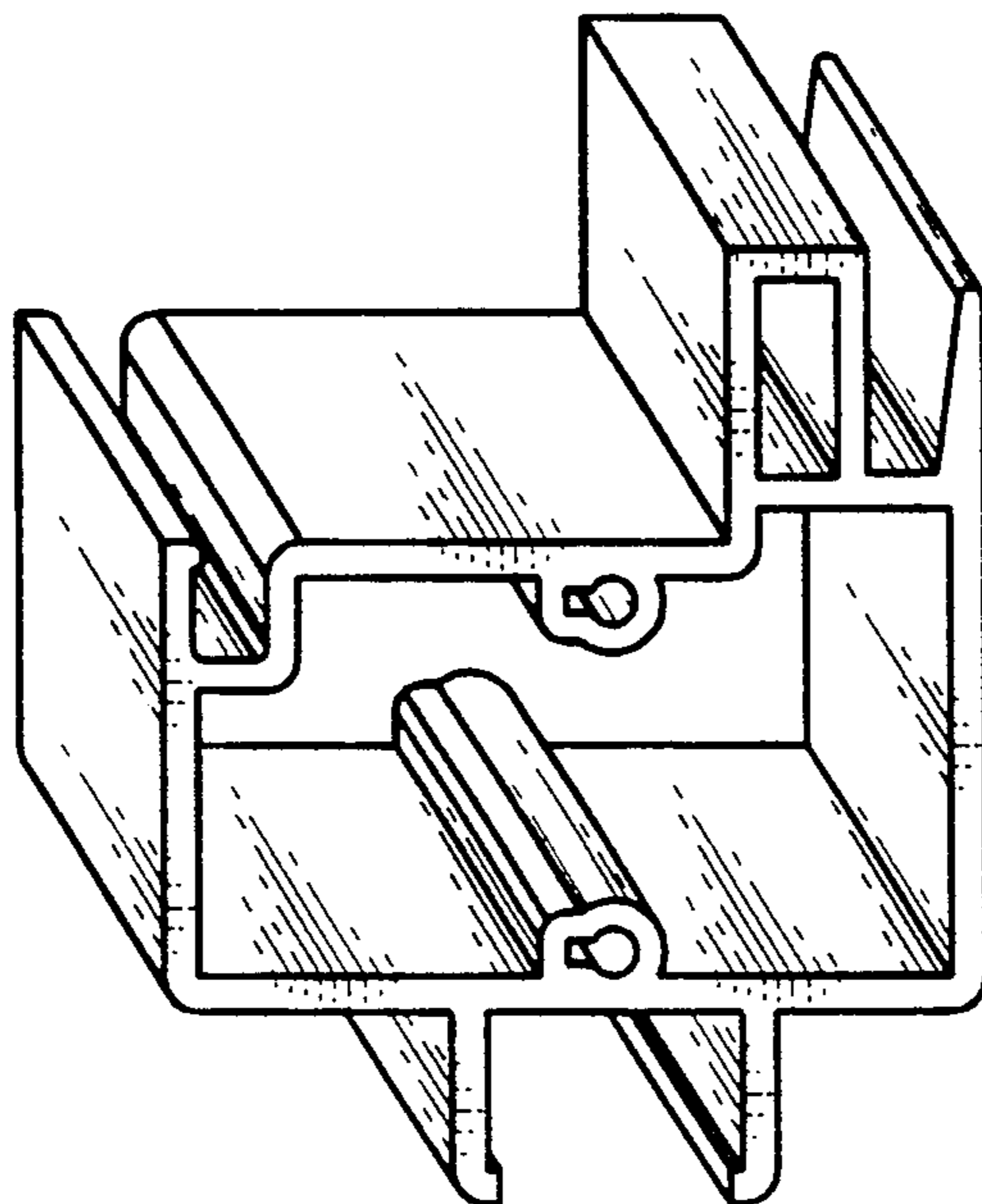


FIG. 1

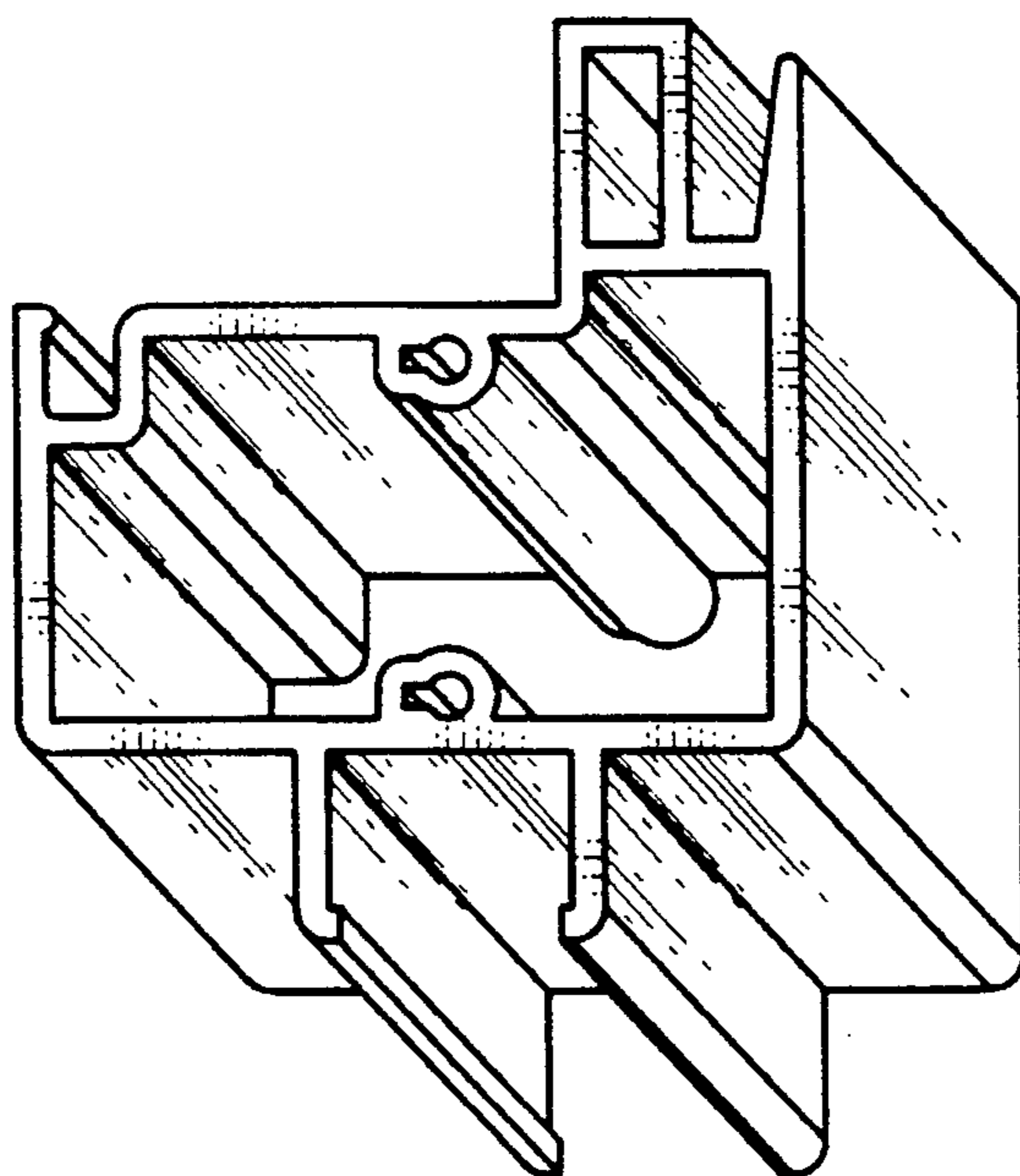


FIG. 2