



US00D334980S

United States Patent [19]

Pritchard

[11] Patent Number: Des. 334,980

[45] Date of Patent: ** Apr. 20, 1993

[54] X-RAY MODULAR UNIT

[75] Inventor: Joseph B. Pritchard, Willowdale, Canada

[73] Assignee: Raymax, Division of 384688 Ontario Limited, Woodbridge, Canada

[**] Term: 14 Years

[21] Appl. No.: 339,084

[22] Filed: Apr. 17, 1989

[52] U.S. Cl. D24/158

[58] Field of Search D24/2; 378/110, 102, 378/198, 177, 178, 193

[56] References Cited

U.S. PATENT DOCUMENTS

2,894,140 7/1959 Schneeman 378/196 X
2,943,198 6/1960 Godbarsen, Jr. D24/2 X

OTHER PUBLICATIONS

TXR X-Ray Systems & Instrumentation (eight pages)
Tingle X-Ray Products, Inc. (c) 1987.

Primary Examiner—Stella Reid

Attorney, Agent, or Firm—Arnold, White & Durkee

[57] CLAIM

The ornamental design for an x-ray modular unit, as shown and described.

DESCRIPTION

FIG. 1 is a front, left side perspective view of an x-ray modular unit, showing my new design;

FIG. 2 is a front, left side perspective view thereof, with the x-ray camera and back shield in an alternate position;

FIG. 3 is a front, left side perspective view thereof, with the x-ray camera and back shield in another alternate position;

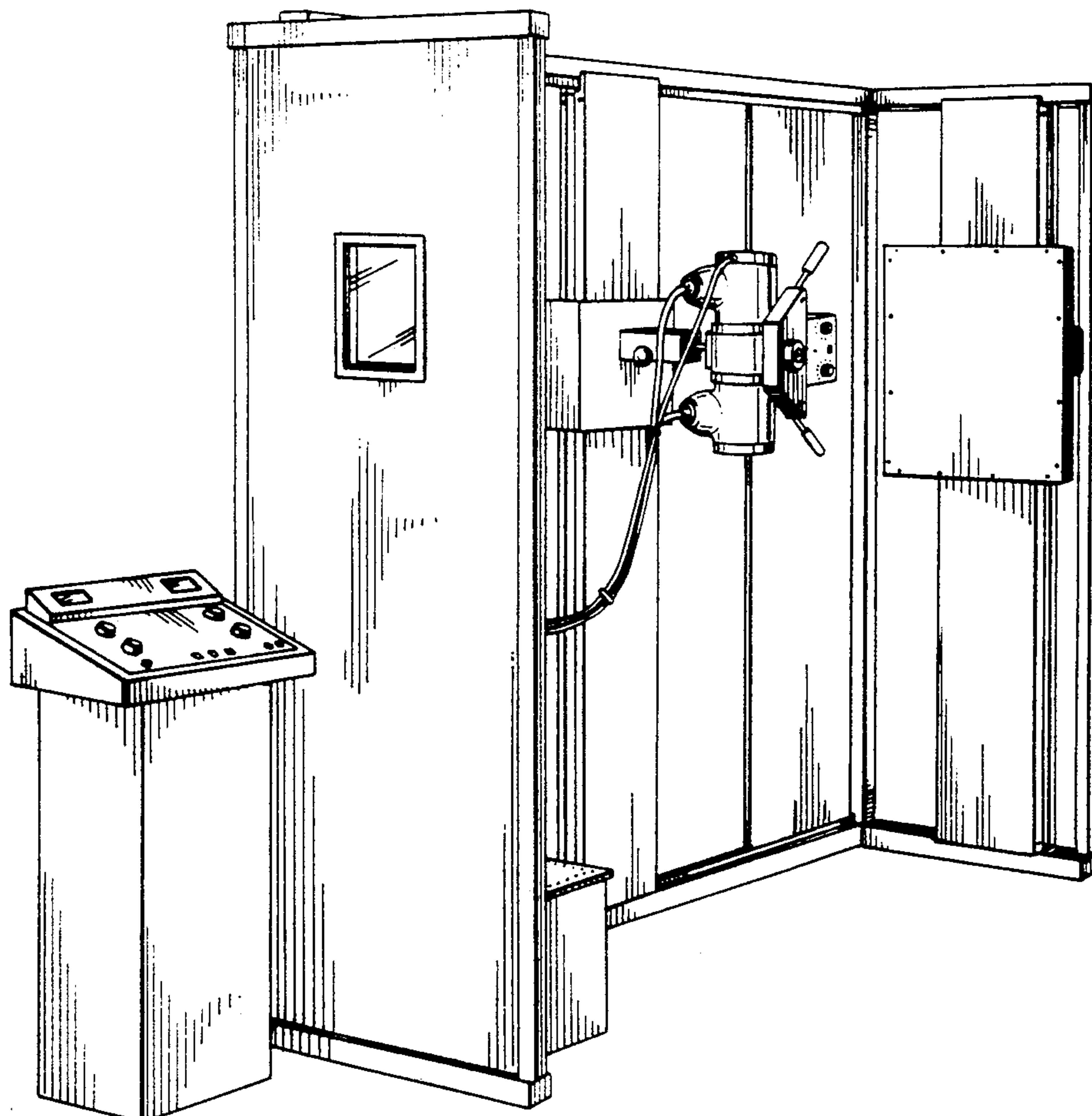
FIG. 4 is a front right-side perspective view with thereof, with the x-ray camera and back shield in the same position as FIG. 1;

FIG. 5 is a front, right side perspective view thereof, with the x-ray camera in the same position as FIG. 4; but with the support column for the camera moved further away from the back shield;

FIG. 6 is a rear perspective view thereof, with the x-ray camera in the same position as FIG. 4; and,

FIG. 7 is a top plan view thereof.

The rear of the article is plain and unornamented.



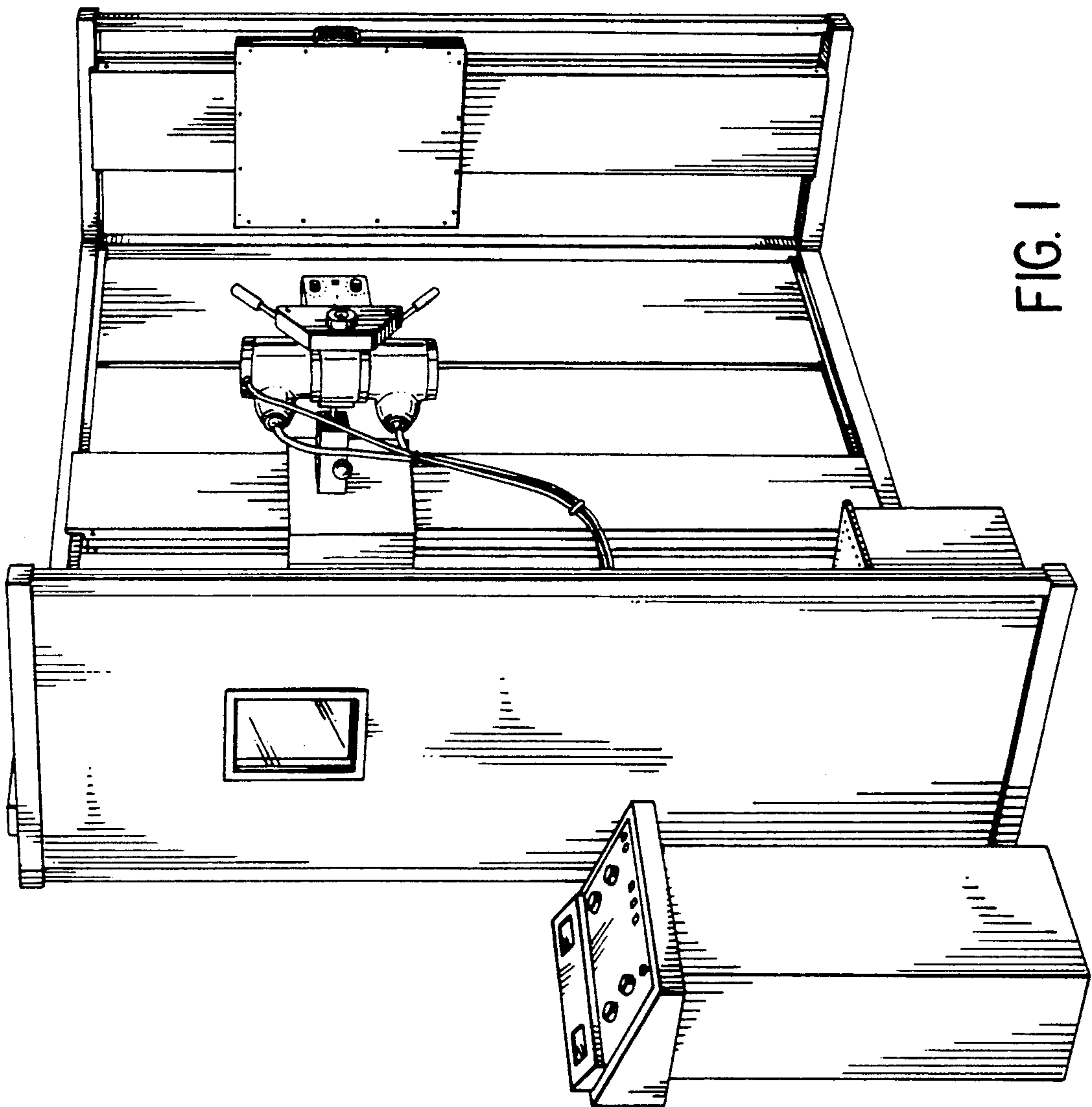


FIG. 1

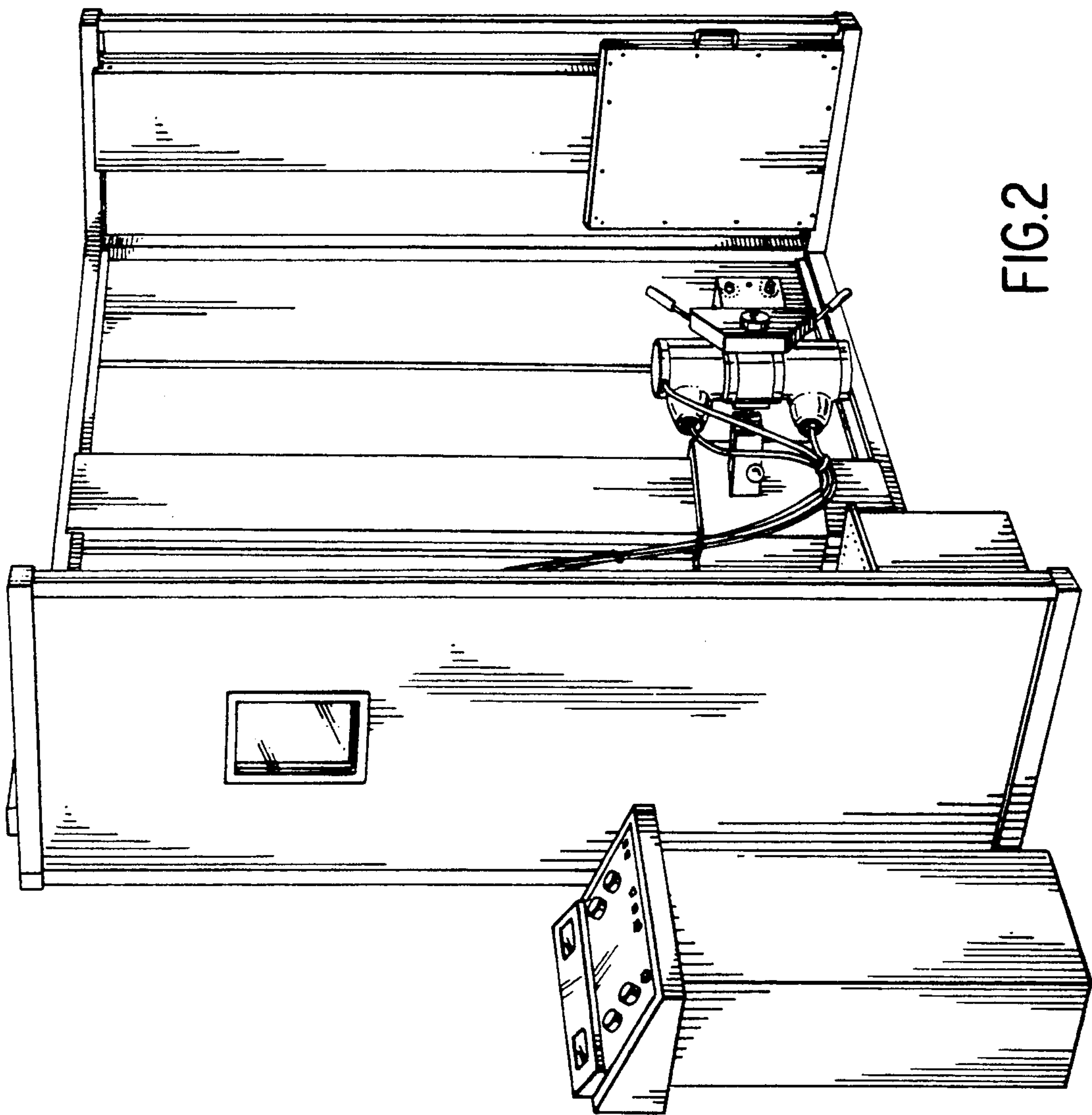


FIG.2

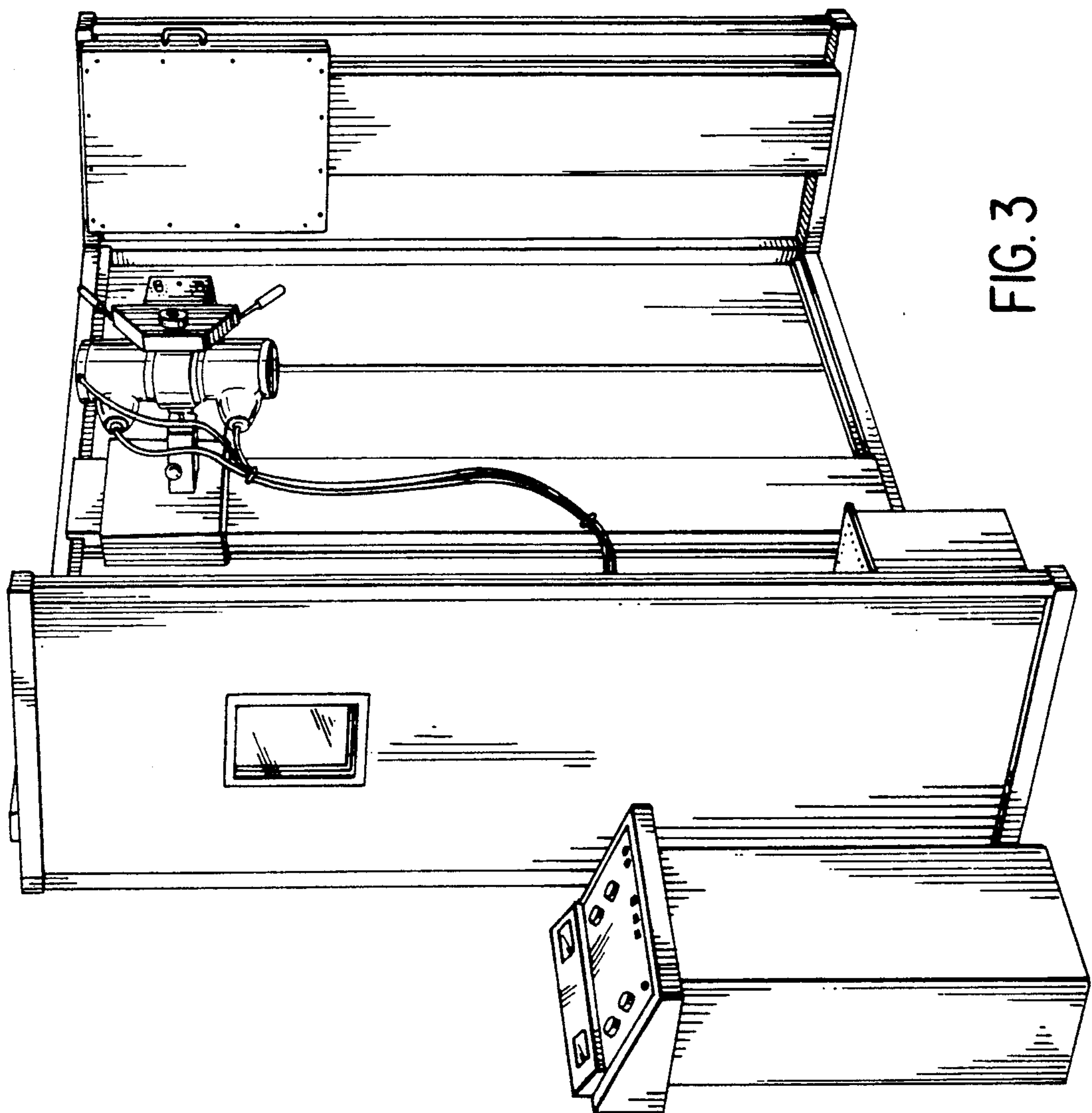


FIG. 3

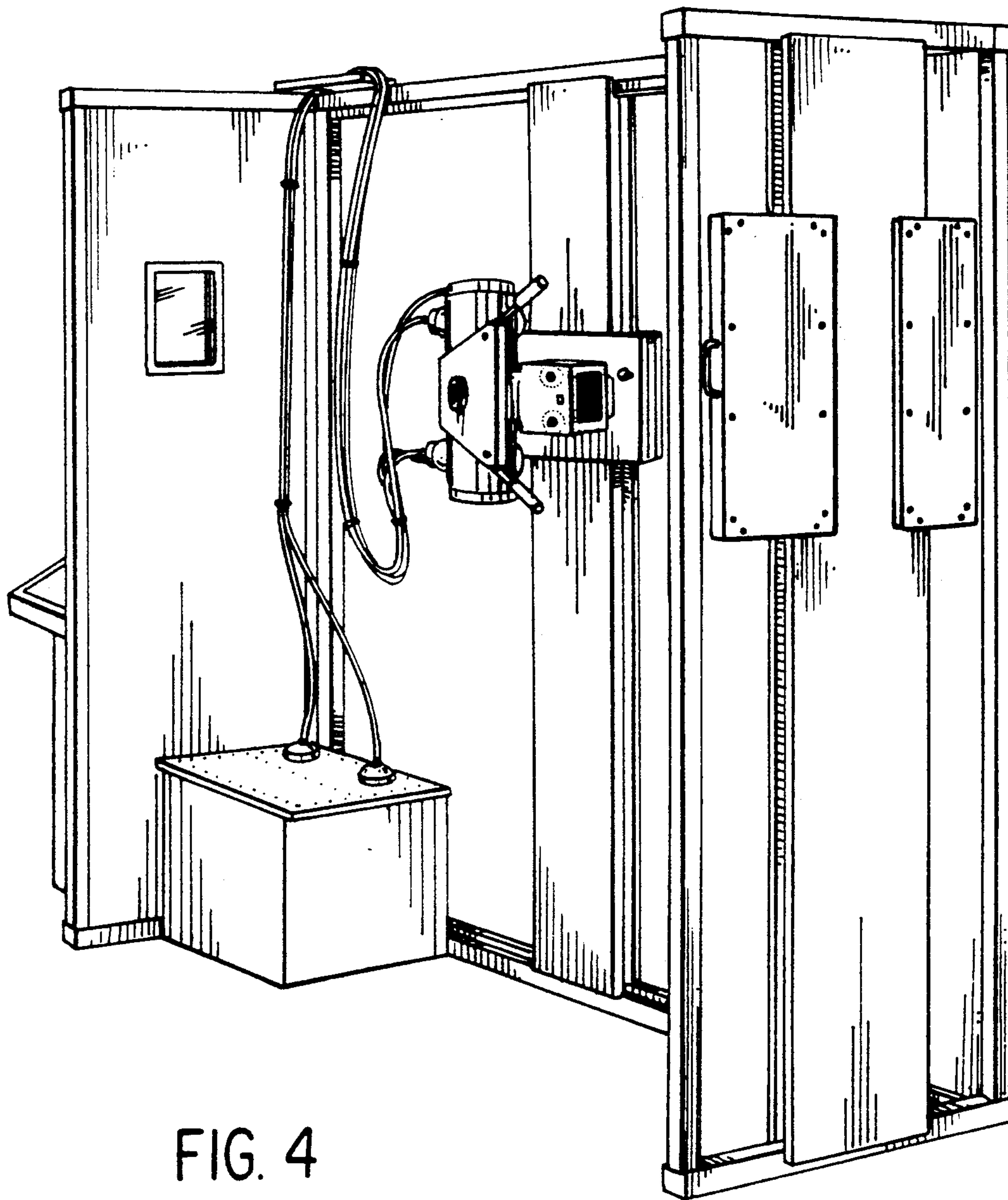


FIG. 4

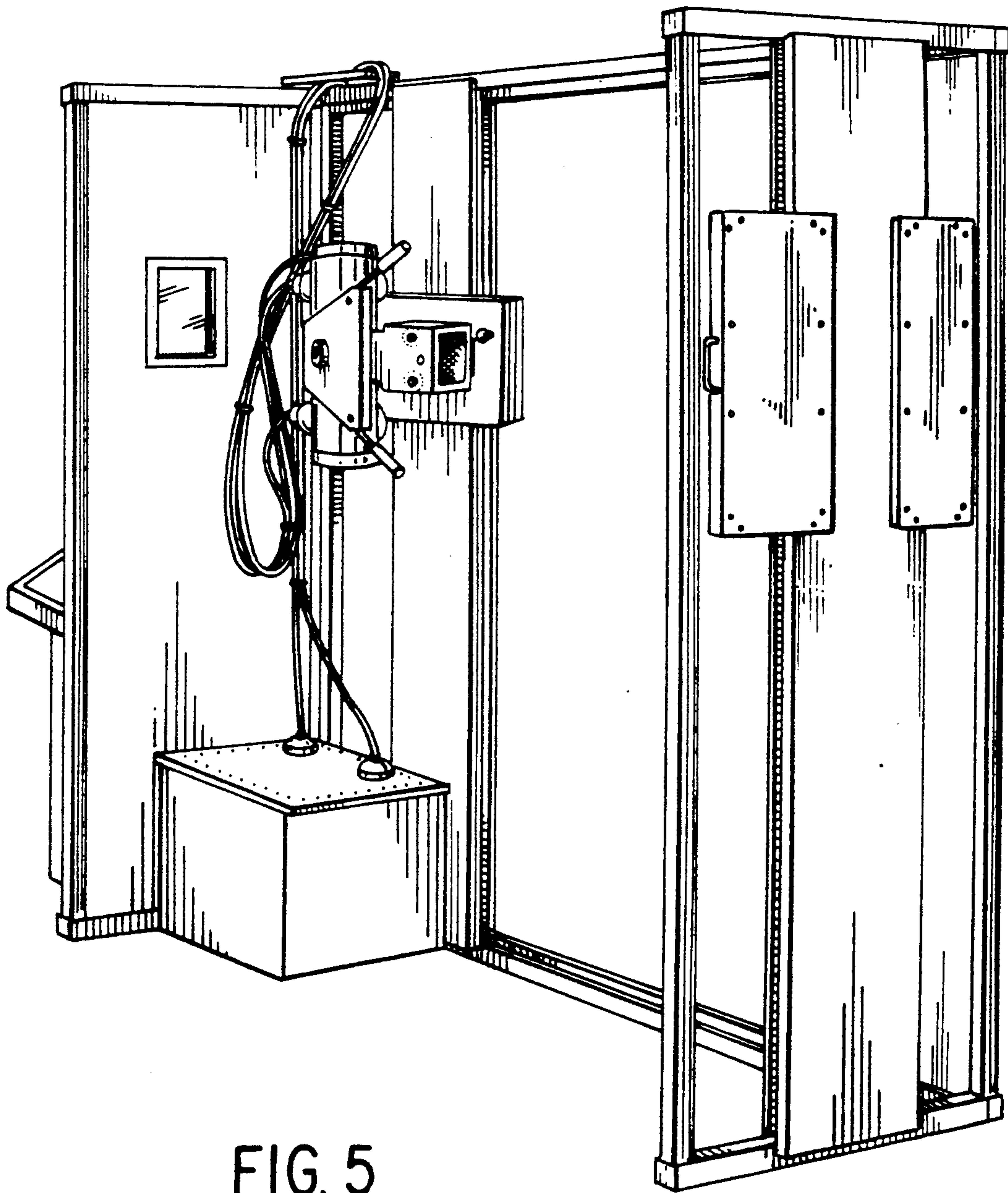


FIG. 5

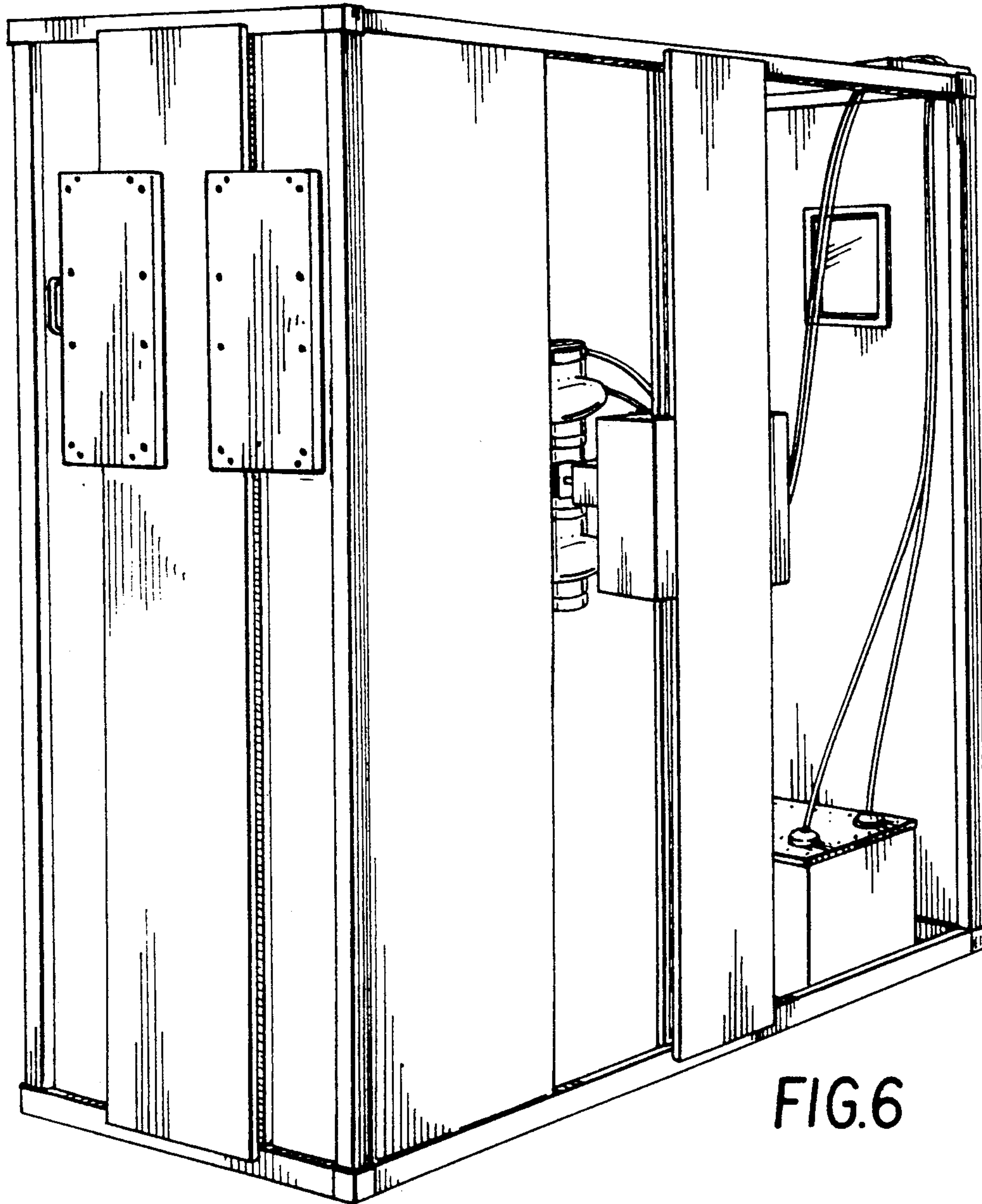


FIG. 6

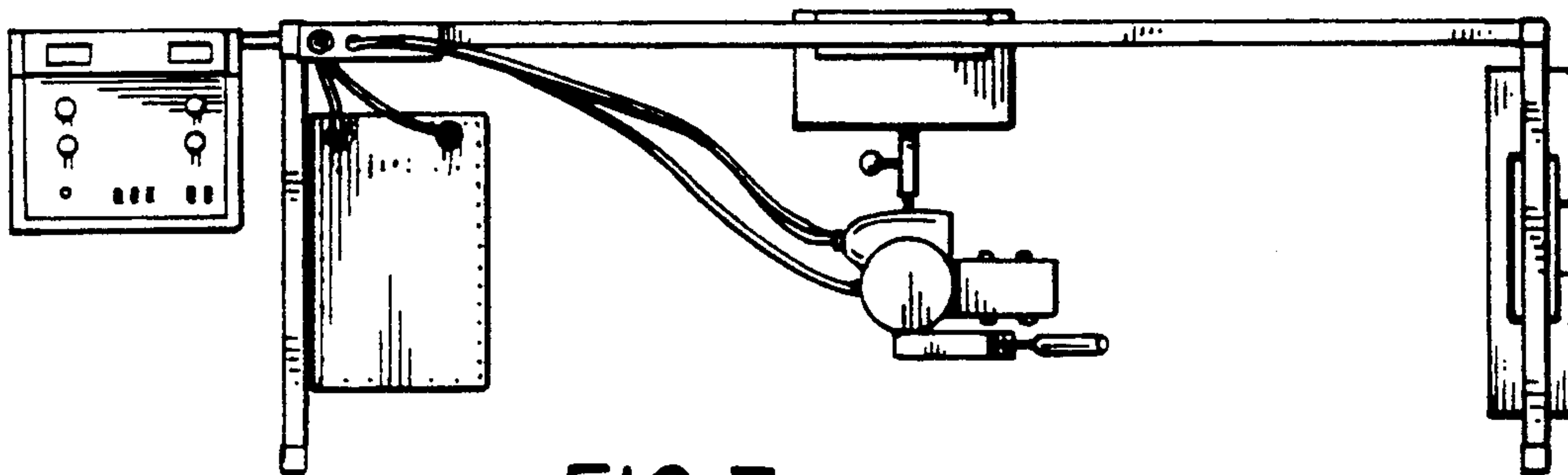


FIG. 7