



US00D334977S

United States Patent [19]

[11] Patent Number: **Des. 334,977**

Avari

[45] Date of Patent: **** Apr. 20, 1993**

[54] **AIR DIRECTING DEVICE**

[75] Inventor: **S. R. Avari**, Garden City, N.Y.

[73] Assignee: **CTS Consolidated Technical Services, Inc.**, Garden City, N.Y.

[**] Term: **14 Years**

[21] Appl. No.: **541,713**

[22] Filed: **Jun. 21, 1990**

[52] U.S. Cl. **D23/387**

[58] Field of Search **D23/387, 388, 389; D25/53, 57, 47; 454/314, 315, 279; 52/473, 78; D12/163**

4,633,770 1/1987 Taylor et al. 454/202

4,693,176 9/1987 Deeg et al. 454/299

4,730,551 3/1988 Peludat 454/233

4,777,870 10/1988 Bolton et al. 454/313

4,854,376 8/1989 Tunekawa et al. 165/54

OTHER PUBLICATIONS

Mitsubishi, "MS/MSh series", p. 3, published prior to Jun. 1990.

Mitsubishi, "PC/PCH-AG series", p. 6, published prior to Jun. 1990.

Sanyo, "Floor Mounted-Ductless Split Heat Pumps", p. 12, published prior to Jun. 1990.

Sanyo, "Ceiling Suspended-Ductless Split Air Conditioners", p. 14, published prior to Jun. 1990.

Sanyo, "Wall Mounted-Ductless Split Heat Pumps", p. 10, published prior to Jun. 1990.

Comfort-Aire, "Split-Pump", published prior to Jun. 1990.

Primary Examiner—Wallace R. Burke
Assistant Examiner—Lisa Lichtenstein
Attorney, Agent, or Firm—Scully, Scott, Murphy & Presser

[56] References Cited

U.S. PATENT DOCUMENTS

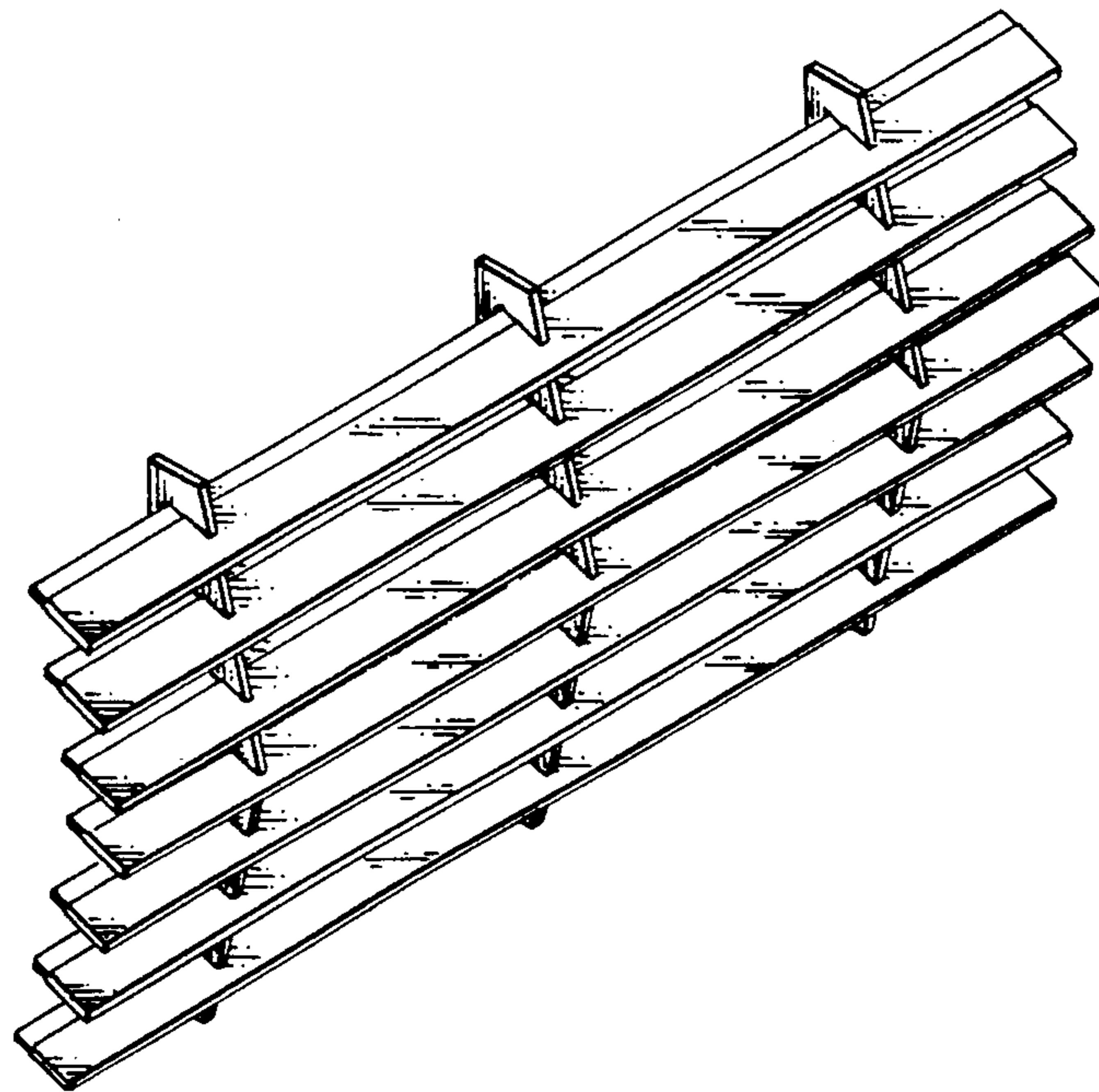
D. 287,711	1/1987	Stevens	D12/163
1,756,997	5/1930	Shurtleff	454/321
1,985,407	12/1934	Green	52/473
2,083,785	6/1937	Harrison, Jr.	52/473
2,141,403	12/1938	Offen	34/54
2,182,690	12/1939	Cole	454/309
2,262,261	11/1941	Smith	454/233
2,324,858	7/1943	Levine	454/321
2,852,235	9/1958	McElgin et al.	165/55
2,928,333	3/1960	Madison	454/316
3,077,643	2/1963	Horner	52/473
3,111,075	11/1963	Hoyle et al.	454/316
3,112,623	12/1963	Crossman	62/419
3,113,356	12/1963	Piper	52/473
3,252,397	5/1966	Horst et al.	454/321
3,274,919	9/1966	Wegman	62/262
3,333,525	8/1967	Tischuk	454/281
3,831,395	8/1974	Levy	62/263
4,089,257	5/1978	Dunne	52/473
4,334,899	6/1982	McConnell	55/321
4,480,533	11/1984	Bolton et al.	454/266
4,619,030	10/1986	Marwick et al.	29/404

[57] CLAIM

The ornamental design for an air directing device, as shown and described.

DESCRIPTION

FIG. 1 is a top, front and left side perspective view of an air directing device showing my new design;
 FIG. 2 is a front elevational view thereof;
 FIG. 3 is a right side elevational view thereof, the left side being a mirror image of that shown;
 FIG. 4 is a rear elevational view thereof;
 FIG. 5 is a top plan view thereof; and,
 FIG. 6 is a bottom plan view thereof.



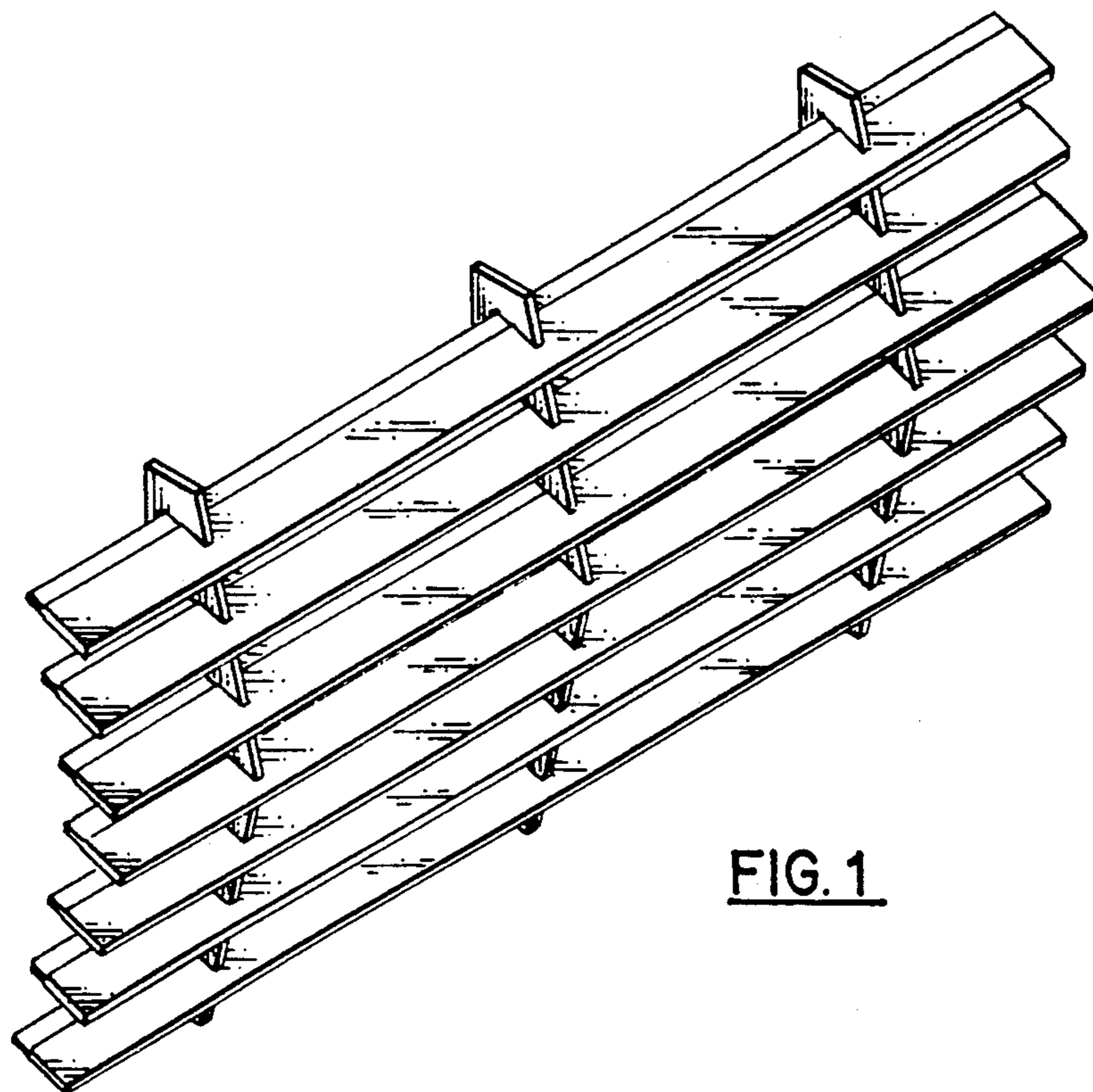


FIG. 1

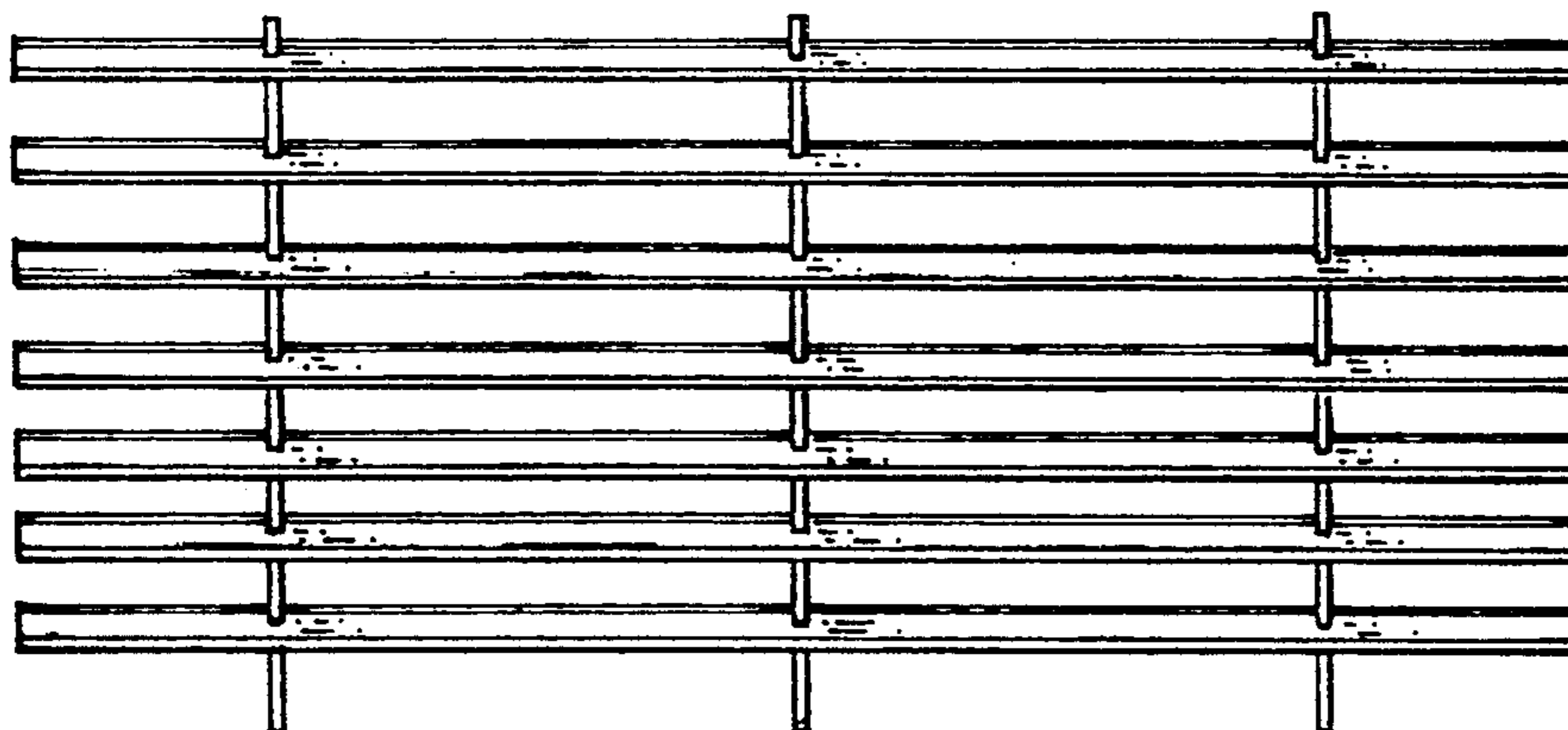


FIG. 2

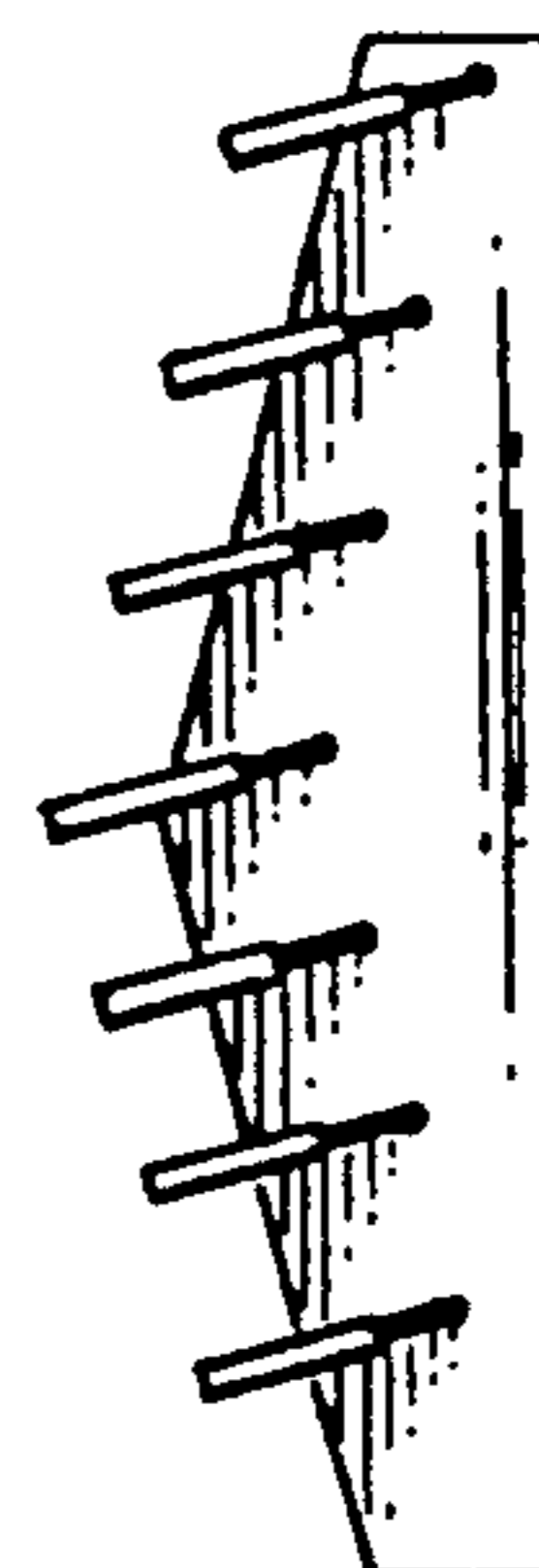


FIG. 3

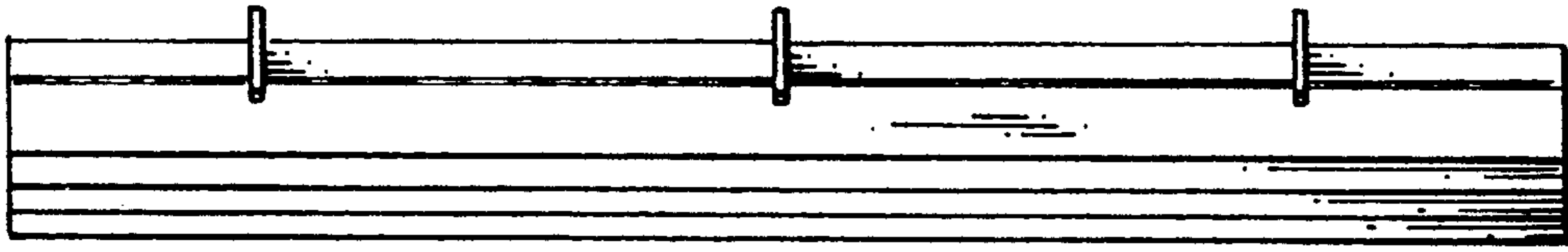


FIG. 5

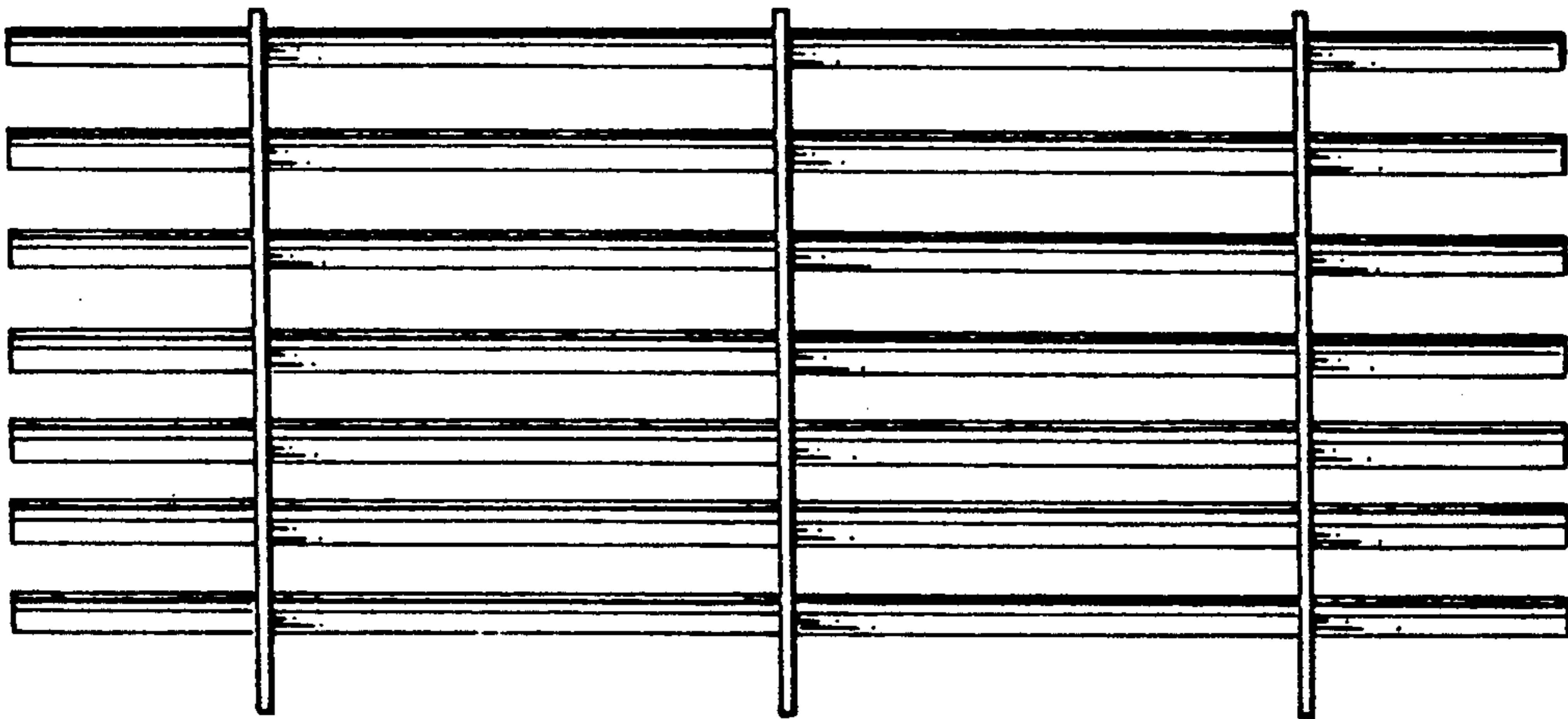


FIG. 4

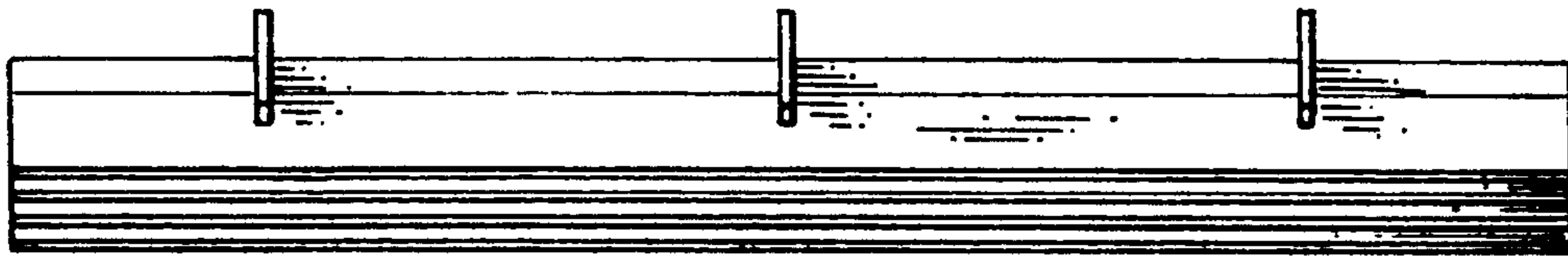


FIG. 6