



US00D334976S

United States Patent [19] Yuen

[11] Patent Number: **Des. 334,976**
[45] Date of Patent: **** Apr. 20, 1993**

[54] MINI FAN

957772 7/1992 United Kingdom .

[75] Inventor: **John S. Yuen, Kowloon, Hong Kong**

OTHER PUBLICATIONS

[73] Assignee: **John Manufacturing Limited, Kowloon, Hong Kong**

Hong Kong Enterprise, Oct. 1990 p. 285, Fans 669F, 700F, 668F, 6831MF and 6831F, top of page.

[**] Term: **14 Years**

Primary Examiner—Wallace R. Burke
Assistant Examiner—Lisa Lichtenstein
Attorney, Agent, or Firm—Fay, Sharpe, Beall, Fagan, Minnich & McKee

[21] Appl. No.: **839,441**

[22] Filed: **Feb. 24, 1992**

[57] CLAIM

[30] Foreign Application Priority Data

The ornamental design for a mini fan, as shown and described.

Aug. 23, 1991 [GB] United Kingdom 2016927

[52] U.S. Cl. **D23/377**

[58] Field of Search **D23/377, 379, 370, 413; 416/131, 142, 146 R; 392/365-369**

DESCRIPTION

[56] References Cited

U.S. PATENT DOCUMENTS

D. 180,777 8/1957 Ganger D23/413
1,473,045 11/1923 Puttaert et al. 416/146
2,095,223 10/1937 Samuels D23/413

FIG. 1 is a top plan view with the power off, of a mini fan showing my new design;

FIG. 2 is a top plan view with the power on thereof;

FIG. 3 is a bottom plan view with the power on thereof;

FIG. 4 is a front elevational view with the power on thereof;

FIG. 5 is a right side elevational view thereof with the power on thereof, the left side being a mirror image of that shown;

FIG. 6 is a rear elevational view with the power on thereof; and,

FIG. 7 is a right side elevational view with the power off thereof, the left side being a mirror image of that shown.

FOREIGN PATENT DOCUMENTS

136635 3/1950 Australia 416/142
625443 1/1936 Fed. Rep. of Germany 416/142
443216 12/1948 Italy 416/5
2013930 4/1991 United Kingdom .
2016521 8/1991 United Kingdom .

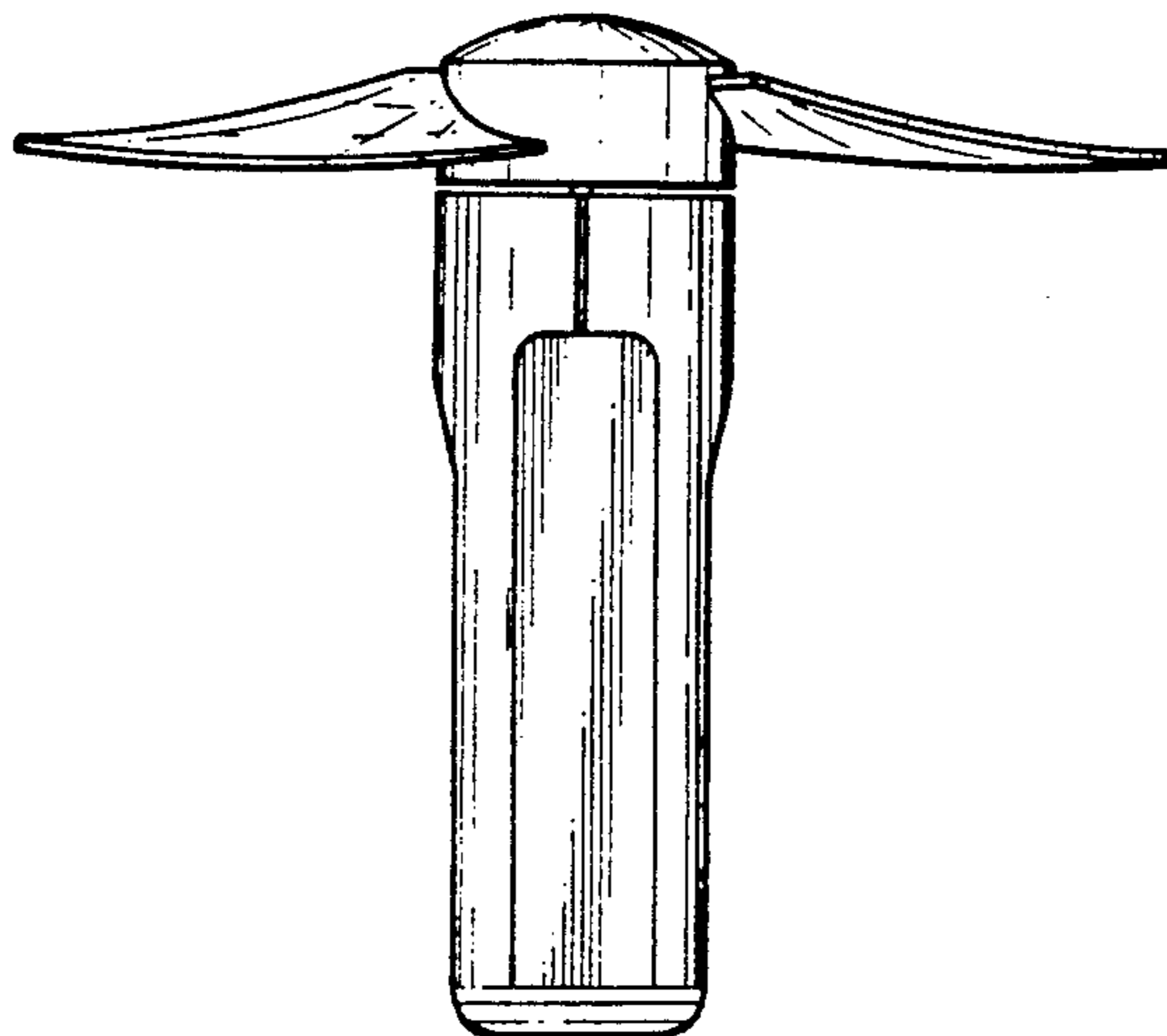
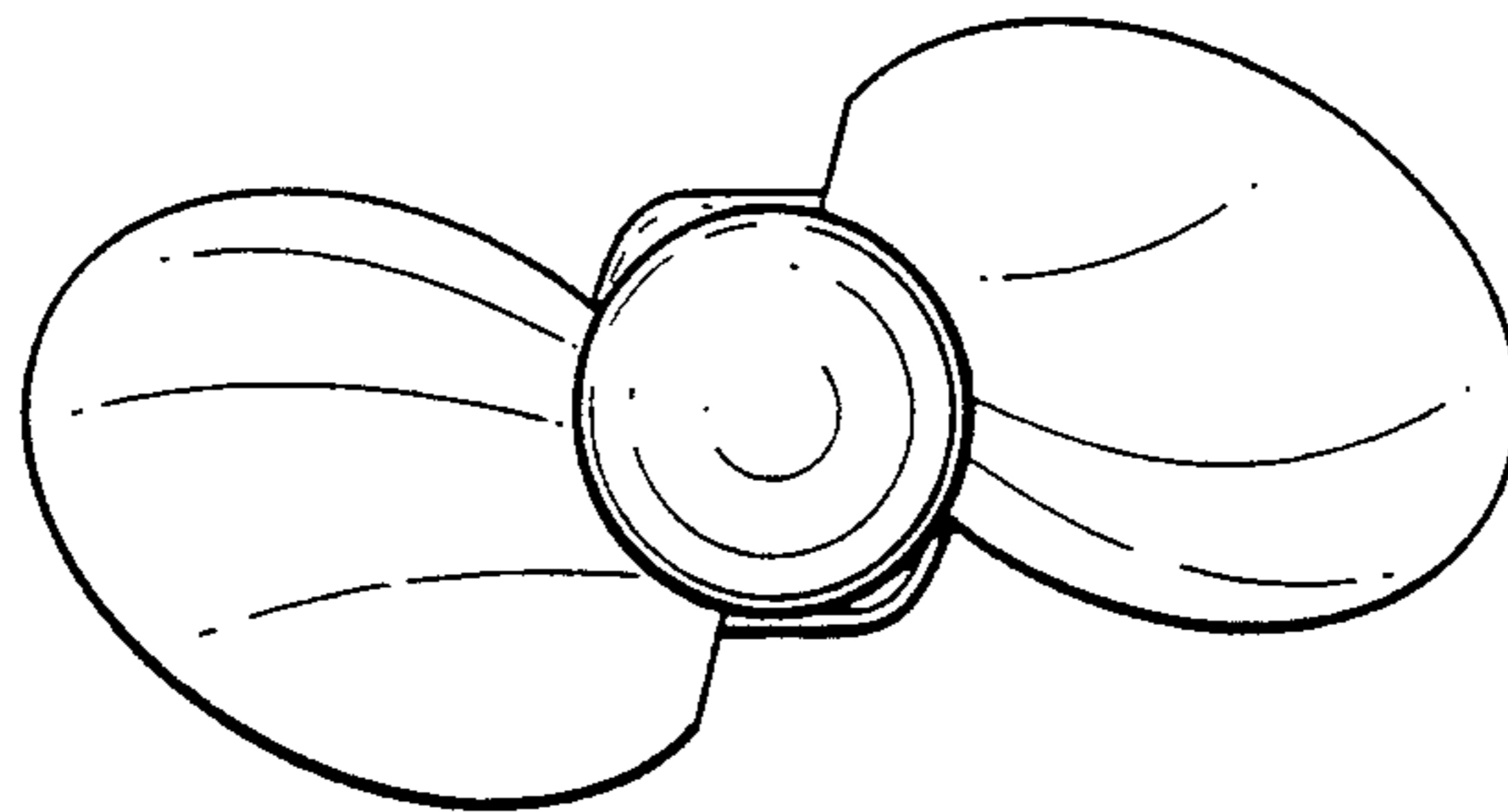


FIG. 1

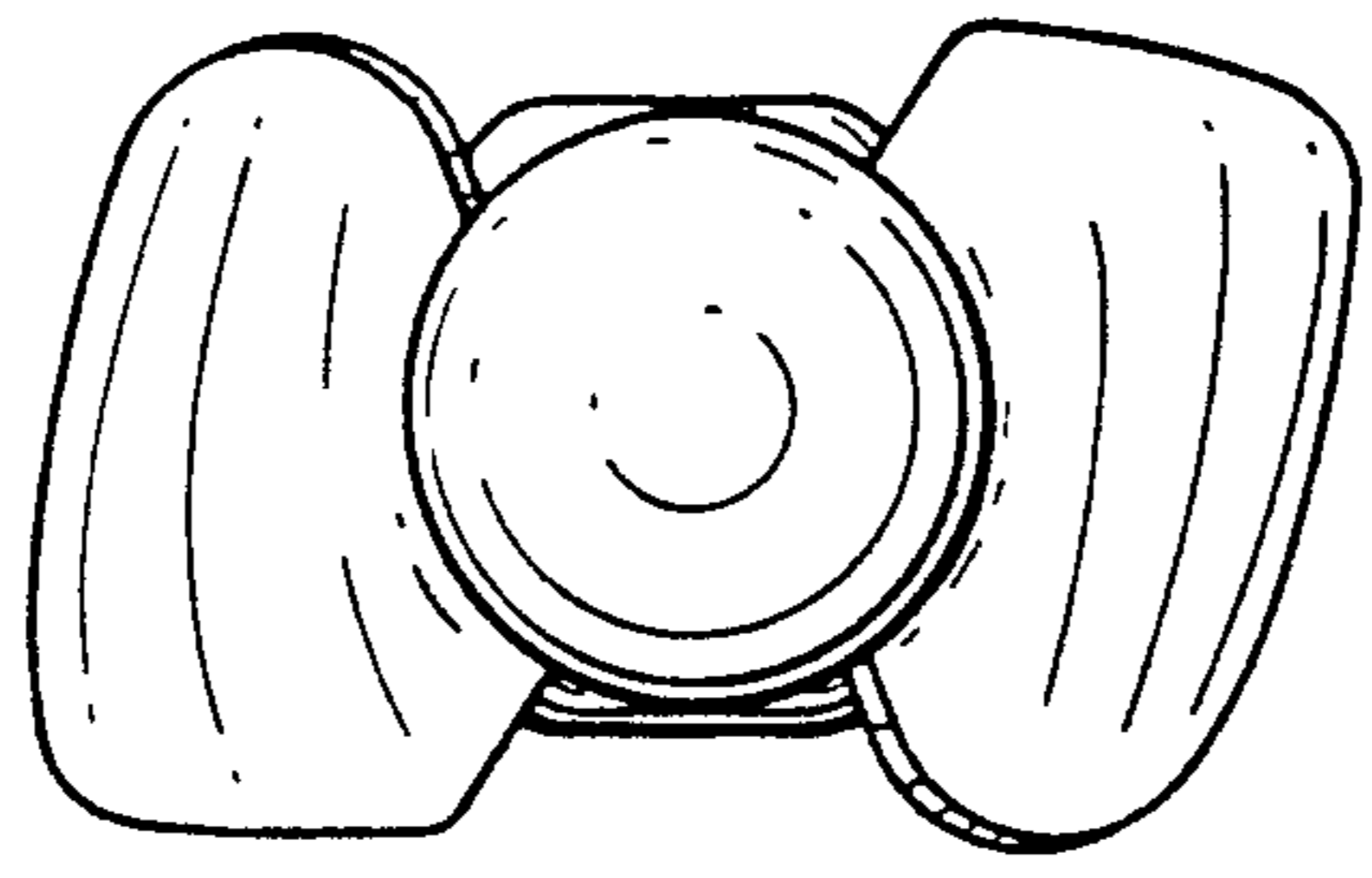


FIG. 2

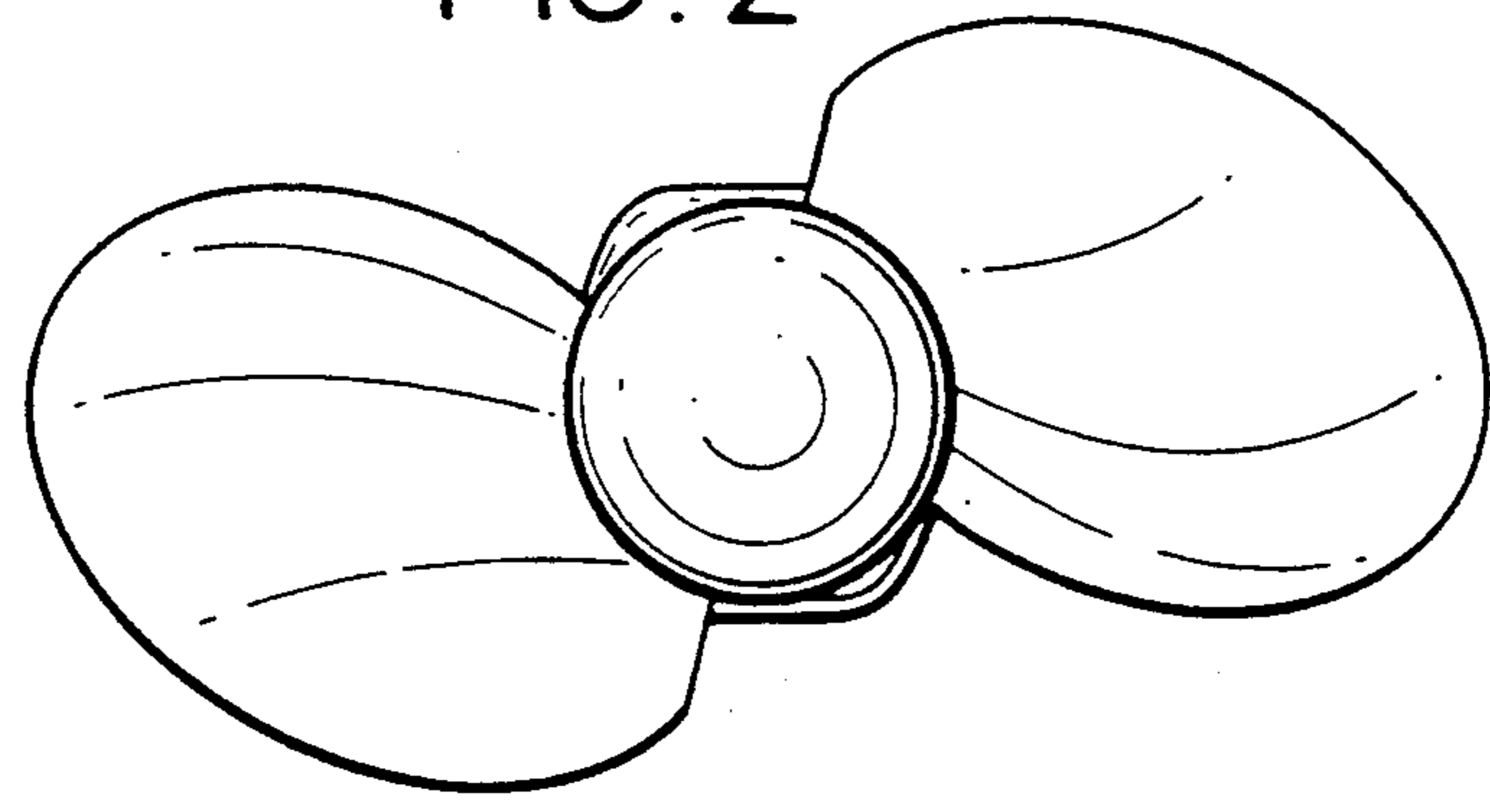
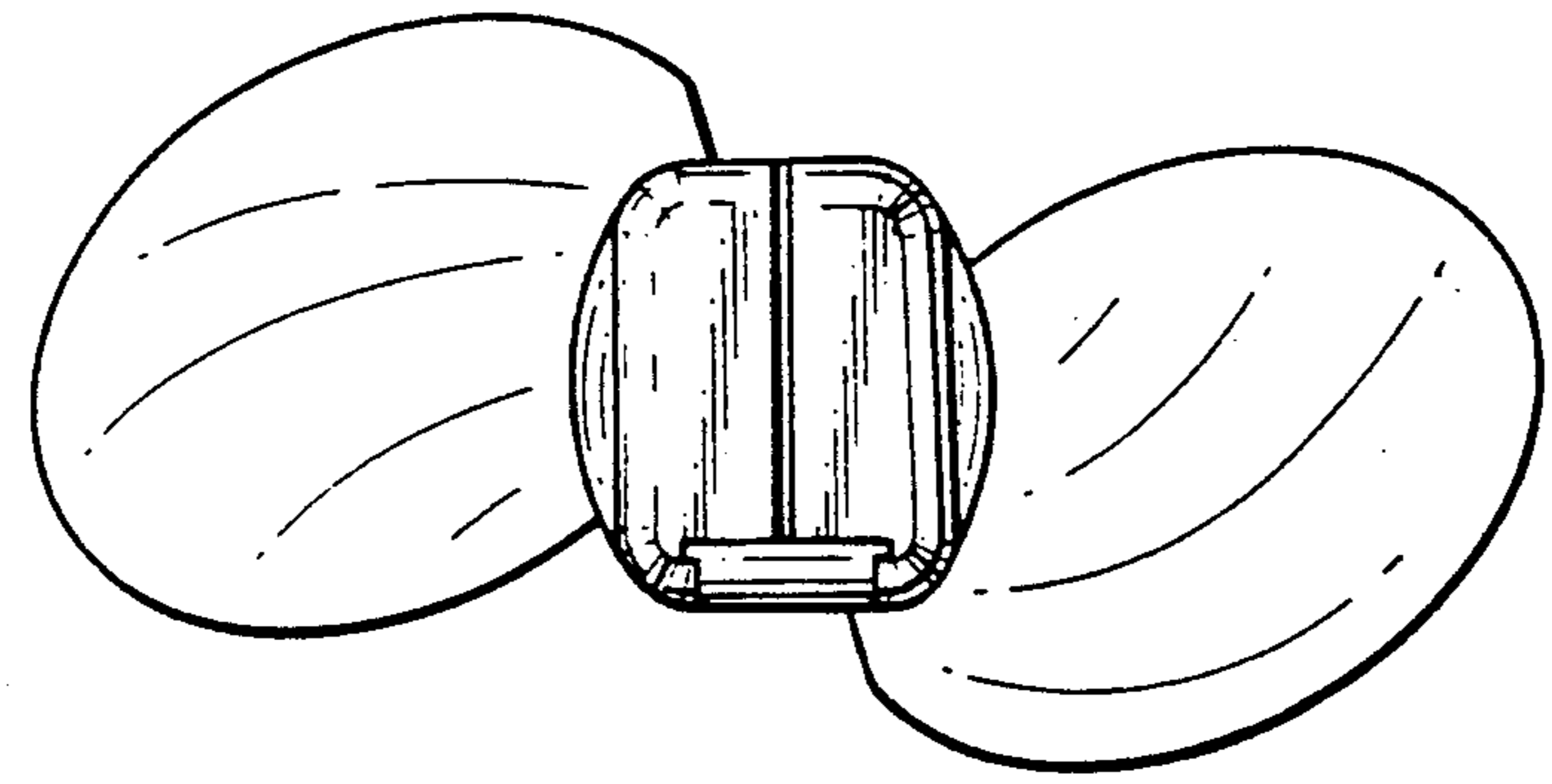


FIG. 3



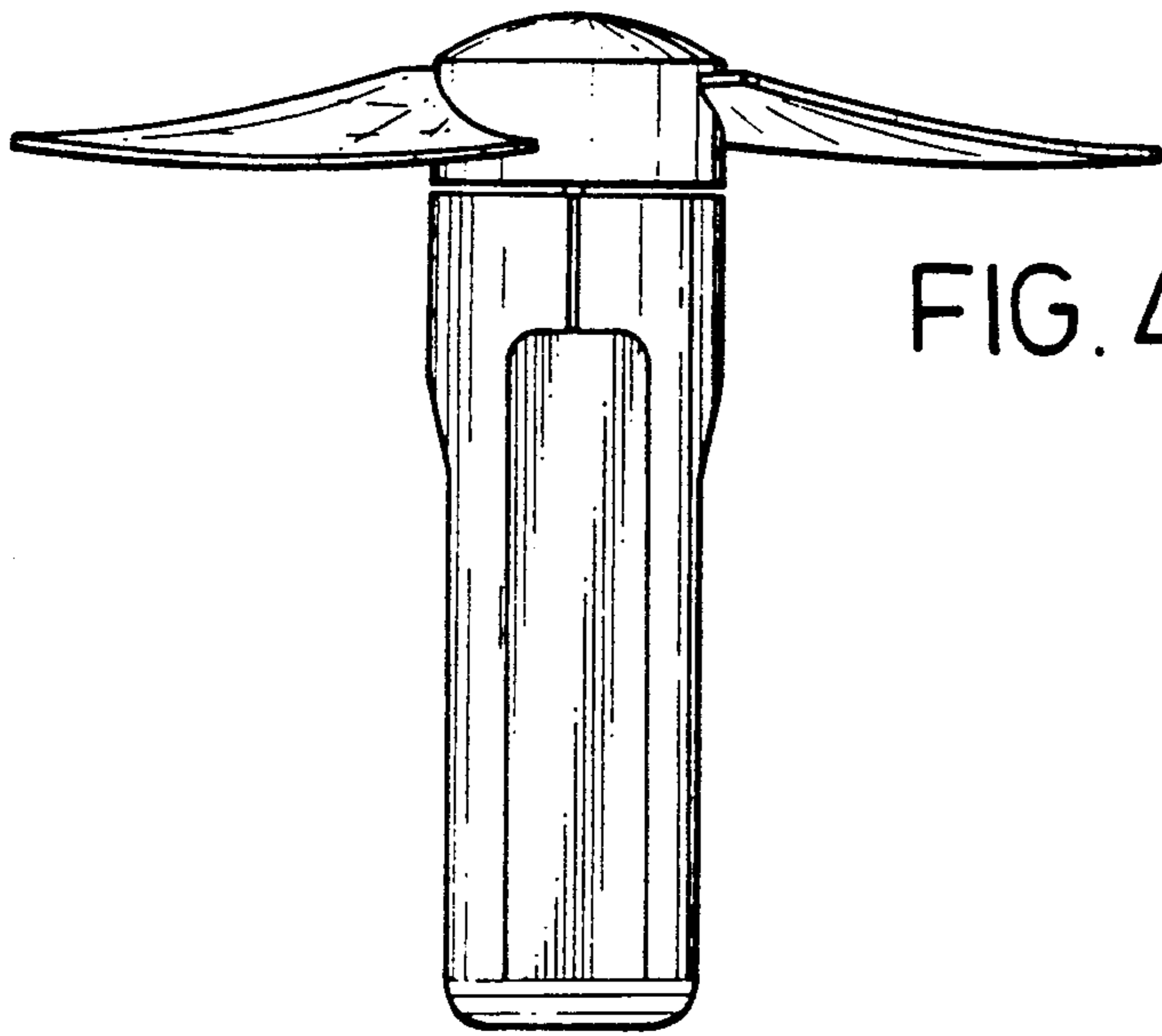


FIG. 4

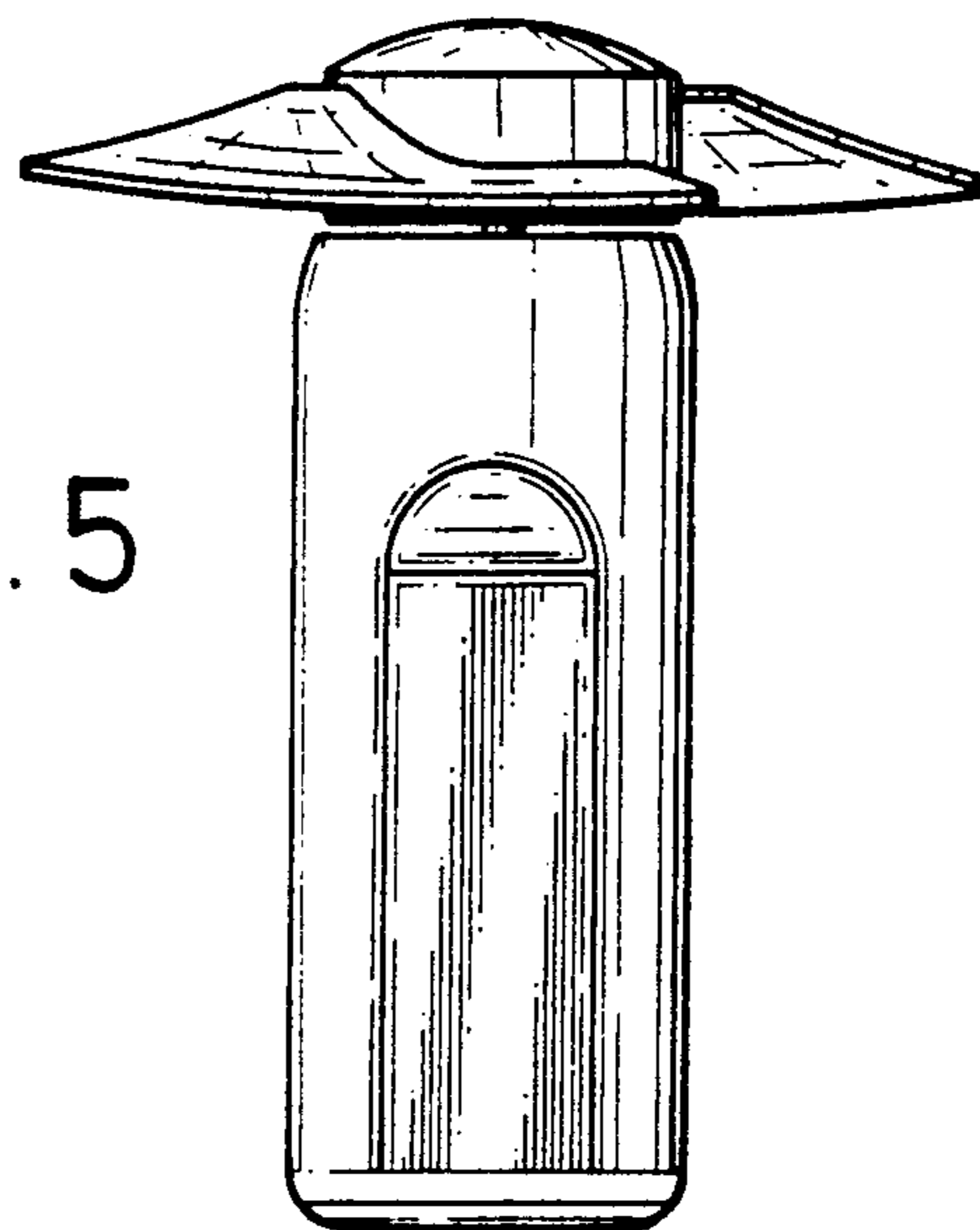


FIG. 5

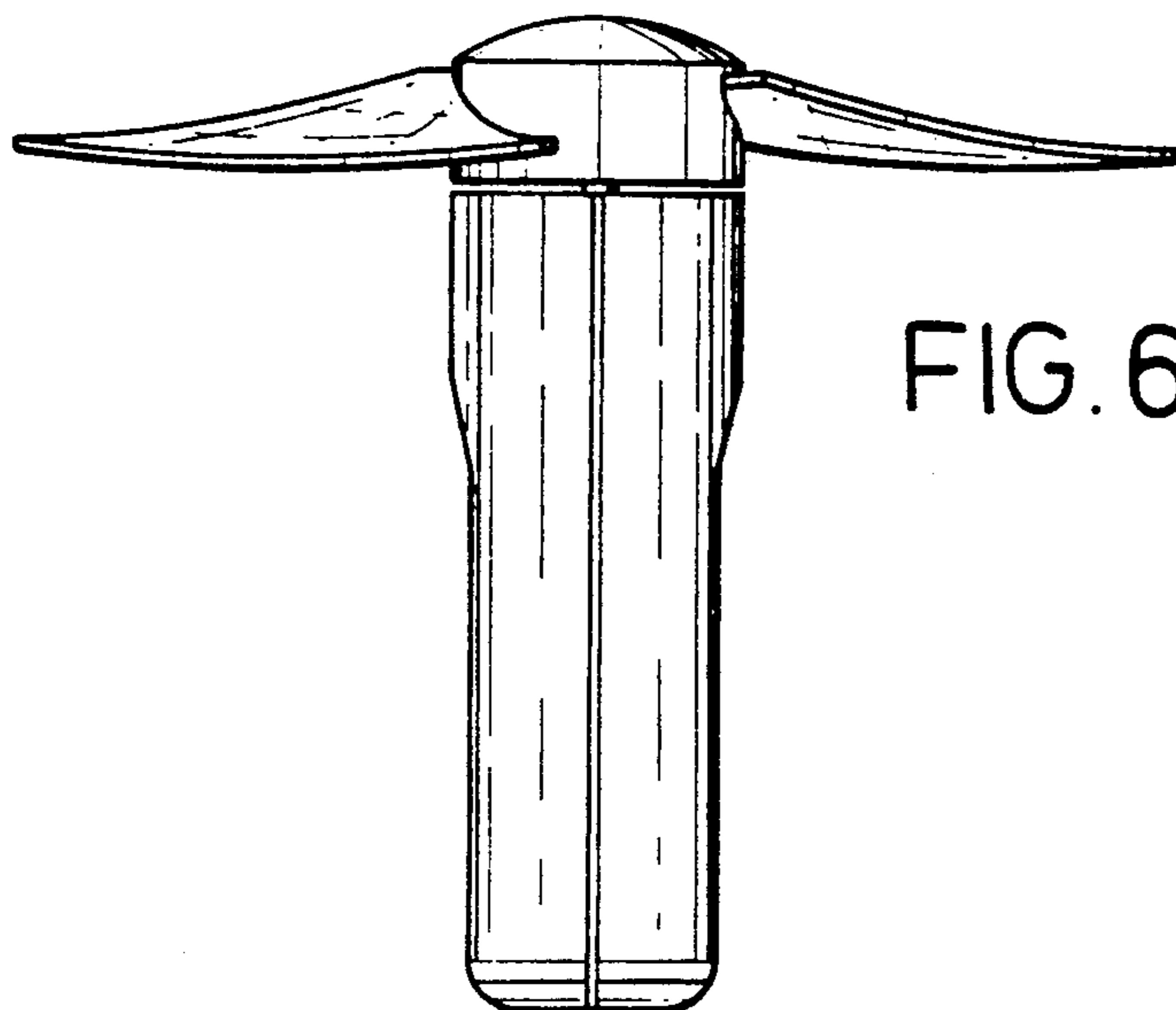


FIG. 6

FIG. 7

