



US00D334975S

United States Patent [19] Bunce et al.

[11] Patent Number: **Des. 334,975**
[45] Date of Patent: **** Apr. 20, 1993**

[54] **DISPENSING CONTAINER FOR DETERGENT**

[75] Inventors: **Martin C. Bunce**, London; **Graham P. Gladden**, Merseyside; **David P. Myerson**, London, all of England

[73] Assignee: **Lever Brothers Company, Division of Conopco, Inc.**, New York, N.Y.

[**] Term: **14 Years**

[21] Appl. No.: **645,661**

[22] Filed: **Jan. 24, 1991**

[30] **Foreign Application Priority Data**

Jul. 25, 1990 [GB] United Kingdom 2008537

[52] U.S. Cl. **D23/366**

[58] Field of Search D23/366-369; 422/264; 239/57, 58; 252/92, 90; 206/0.5; D9/366, 353

D. 321,476 11/1991 Alcover D23/366

FOREIGN PATENT DOCUMENTS

494615 7/1950 Belgium 422/125
776577 1/1935 France 252/90

OTHER PUBLICATIONS

Packaging Parade Oct. 1949, p. A, plastic container (1), top right side of page.
P&G Austrian Design Registration 251,450.

Primary Examiner—Wallace R. Burke
Assistant Examiner—Lisa Lichtenstein
Attorney, Agent, or Firm—James J. Farrell

[57] CLAIM

The ornamental design for a dispensing container for detergent, as shown and described.

DESCRIPTION

FIG. 1 is a top rear and right side perspective view of a dispensing container for detergent showing our new design;
FIG. 2 is a top rear and right side perspective view thereof in open condition;
FIG. 3 is a top plan view thereof;
FIG. 4 is a bottom plan view thereof;
FIG. 5 is a front elevation view thereof;
FIG. 6 is a rear elevation view thereof;
FIG. 7 is a left side elevation view thereof; and,
FIG. 8 is a right side elevation view thereof.

[56] References Cited U.S. PATENT DOCUMENTS

D. 269,997	8/1983	Seager	D23/366
D. 275,222	8/1984	Hoyt	D23/369
D. 289,857	5/1987	Duval et al.	D23/366
D. 289,920	5/1987	O'Neil, Jr.	D23/366
D. 298,362	11/1988	Filiz et al.	D28/82
D. 318,346	7/1991	Bakic	D28/82
D. 319,897	9/1991	Bakic	D28/82

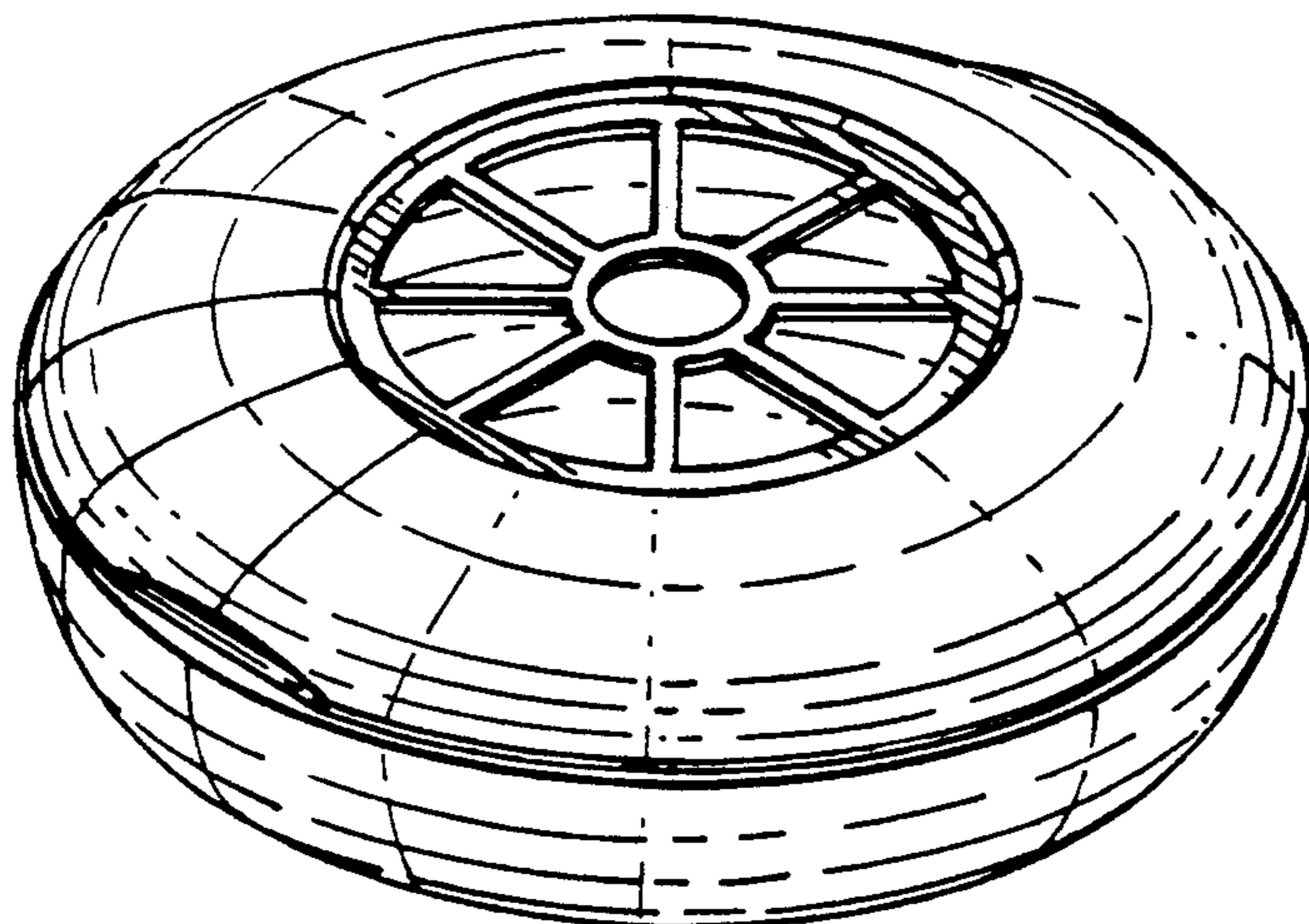


Fig. 1

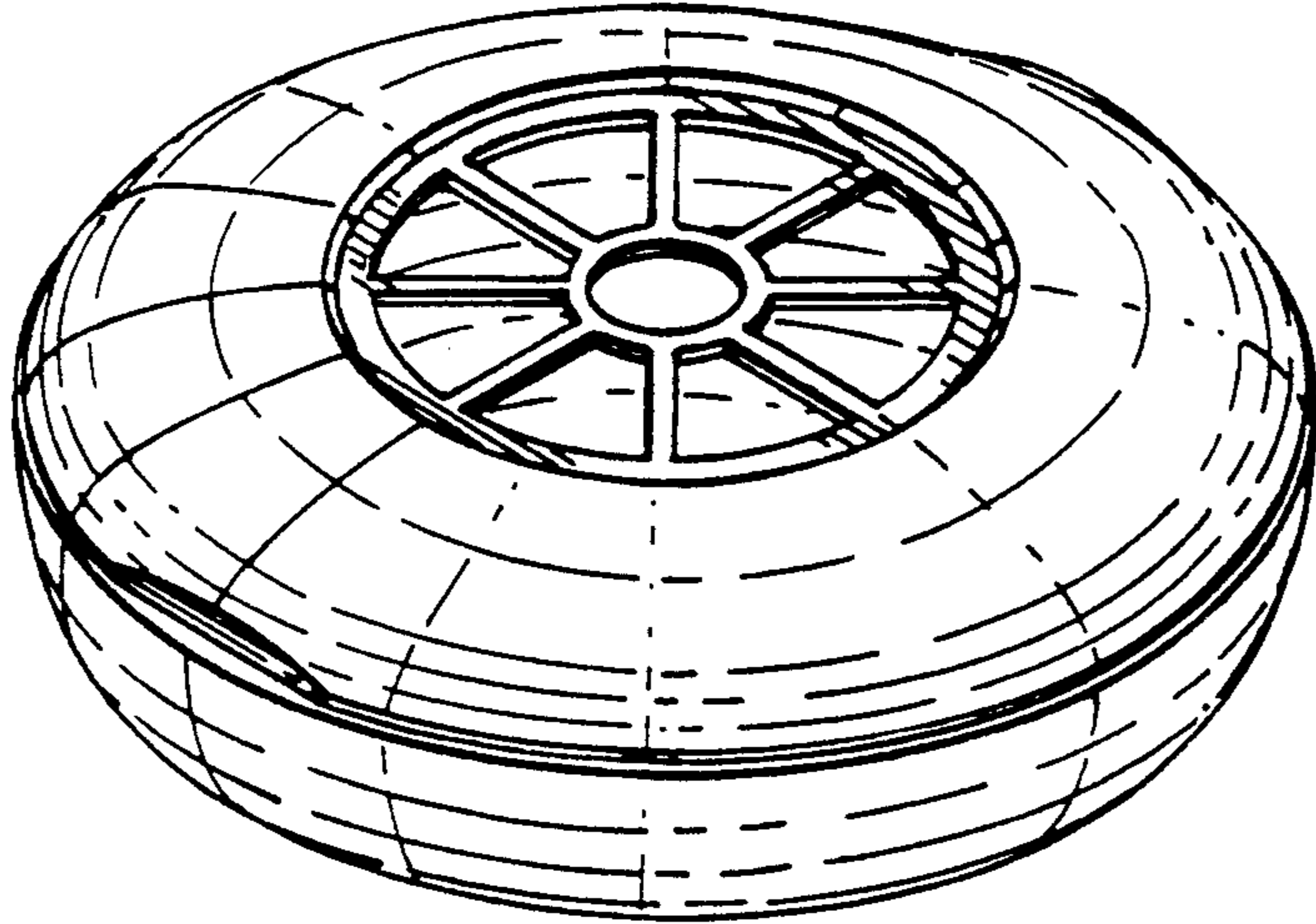


Fig. 2

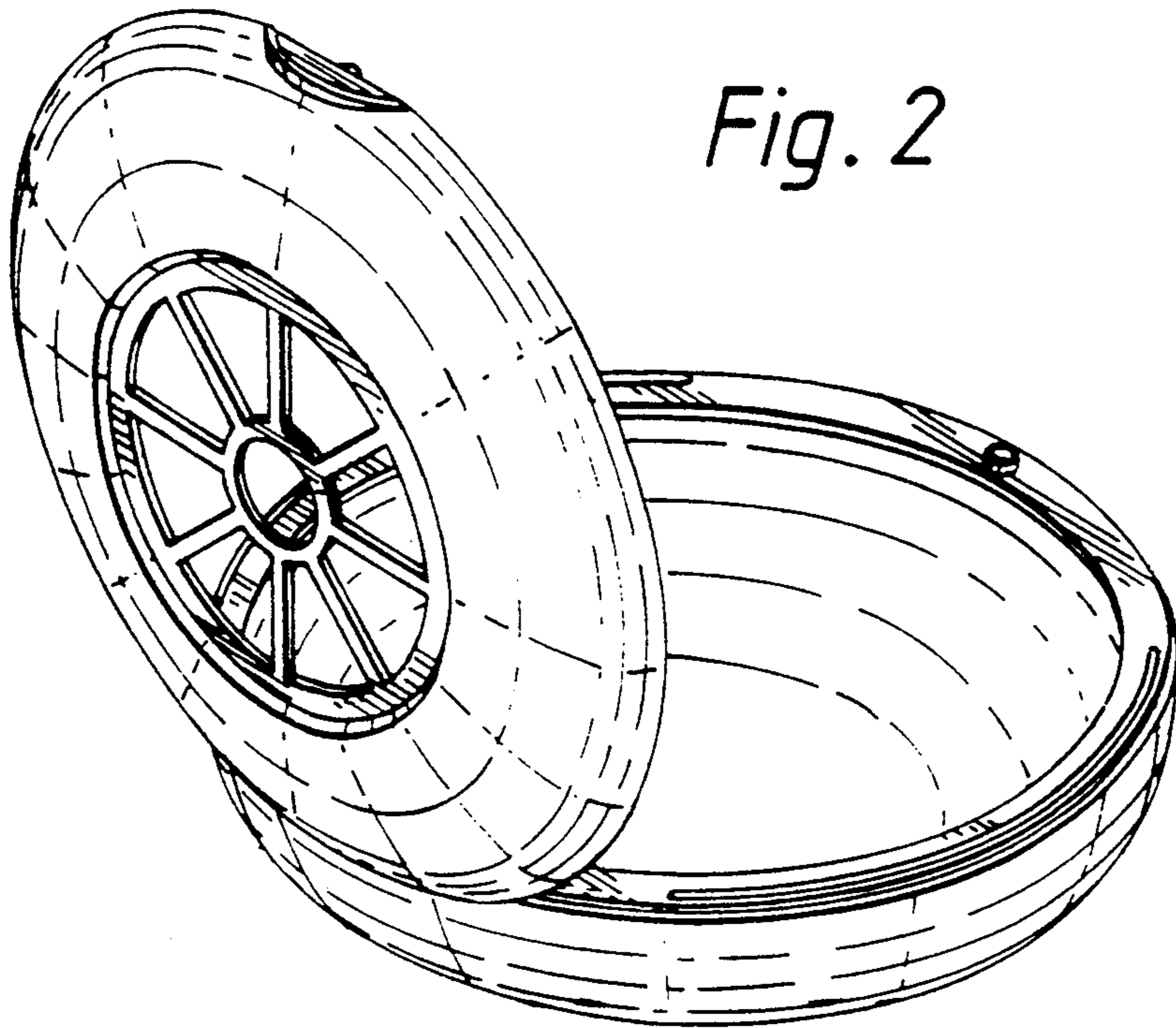


Fig. 3

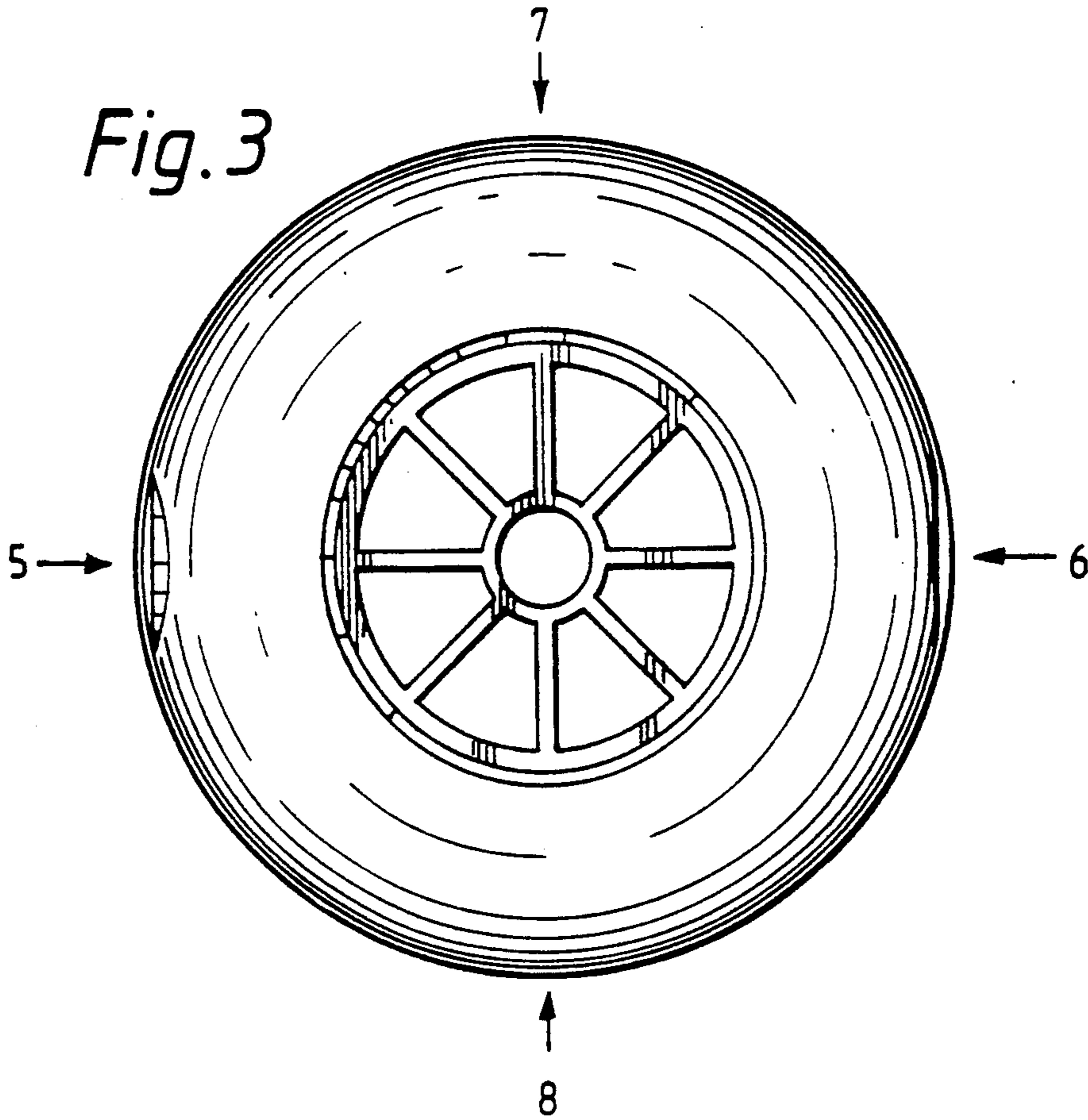


Fig 4

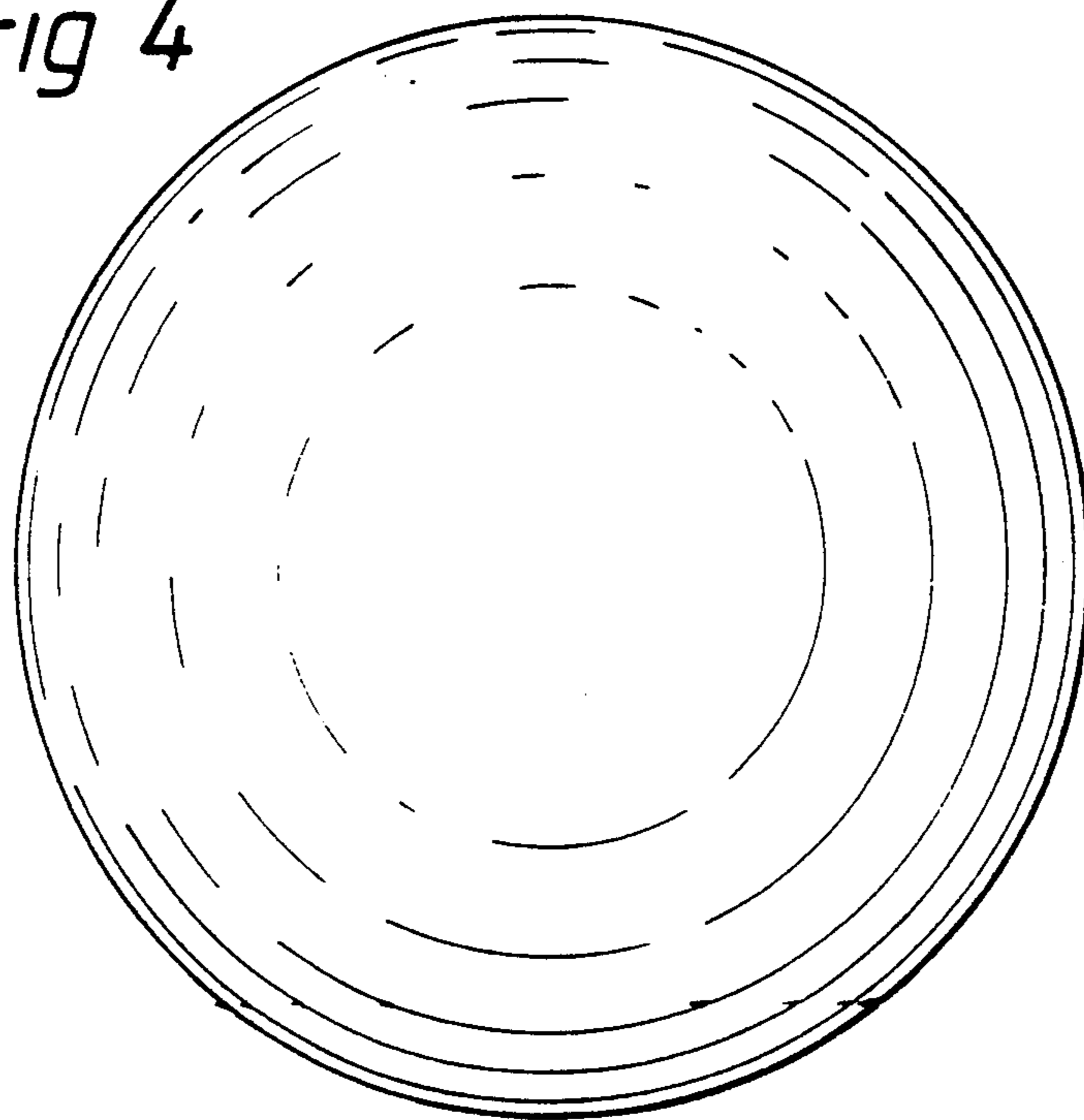


Fig. 5

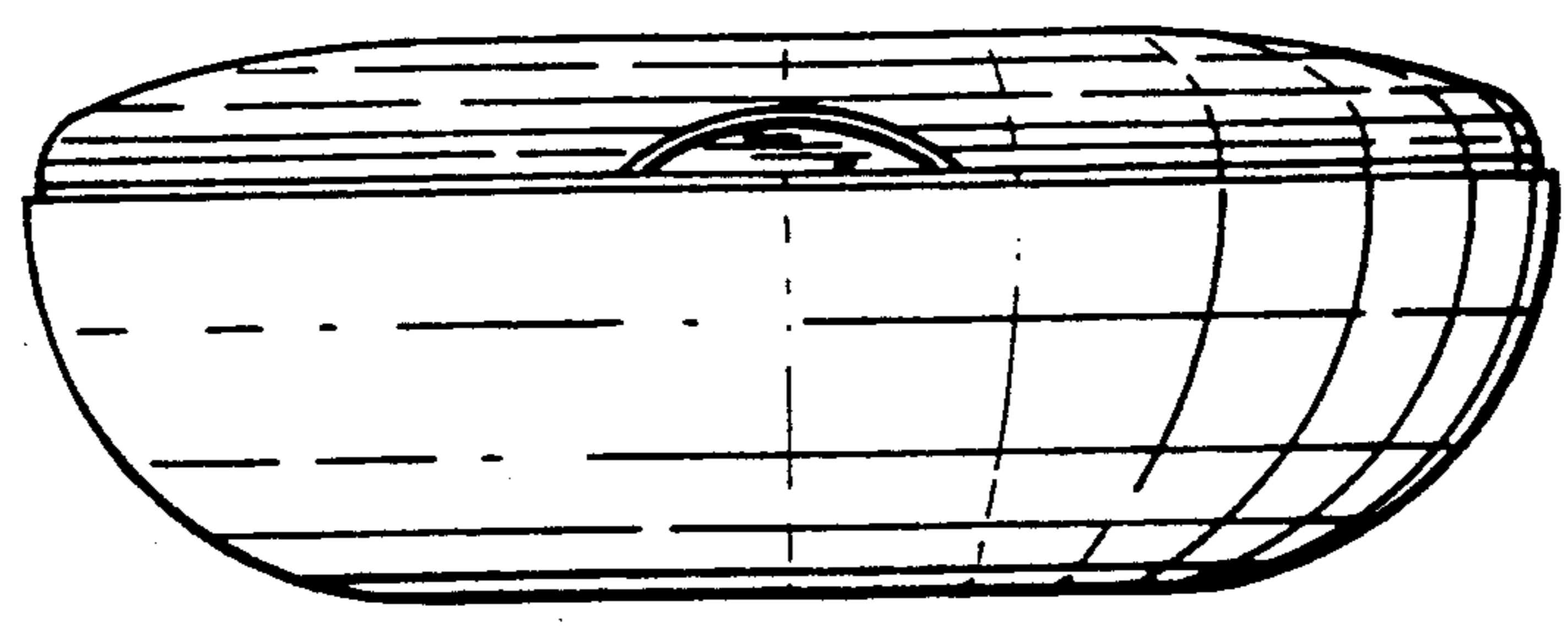


Fig. 6

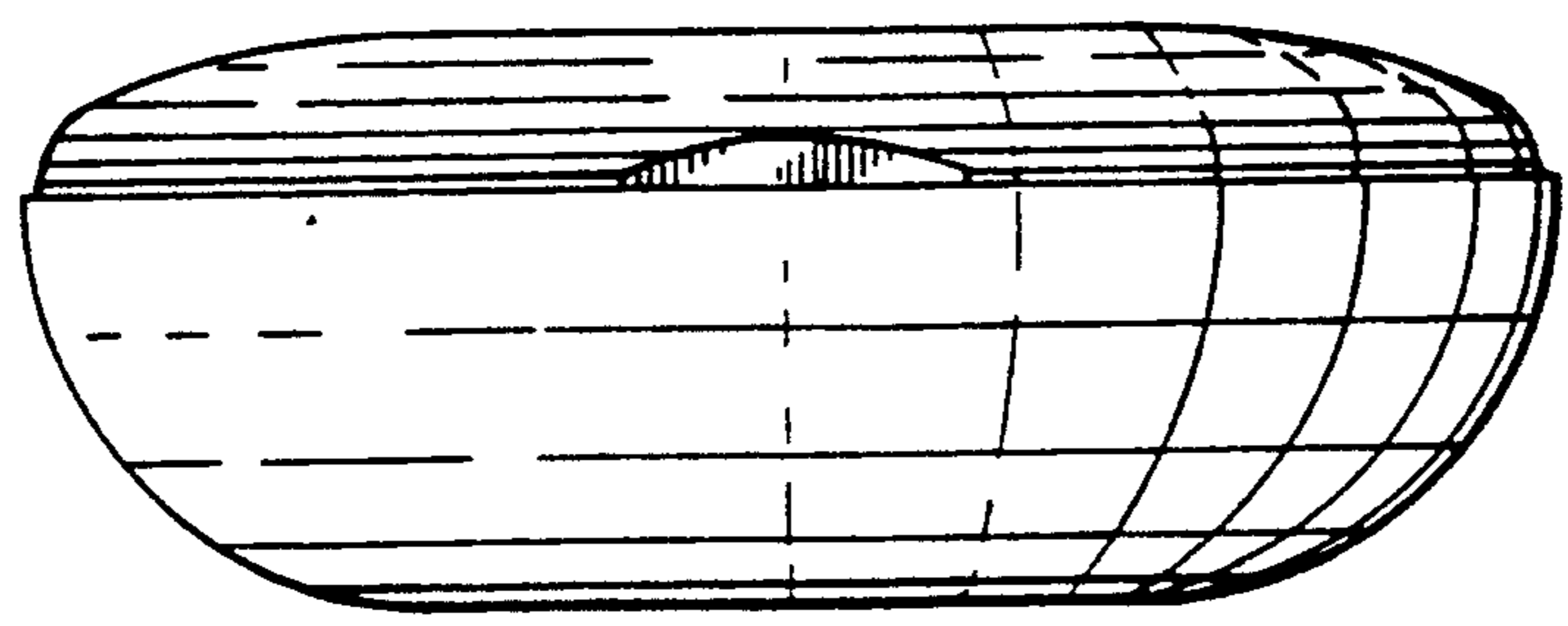


Fig. 7

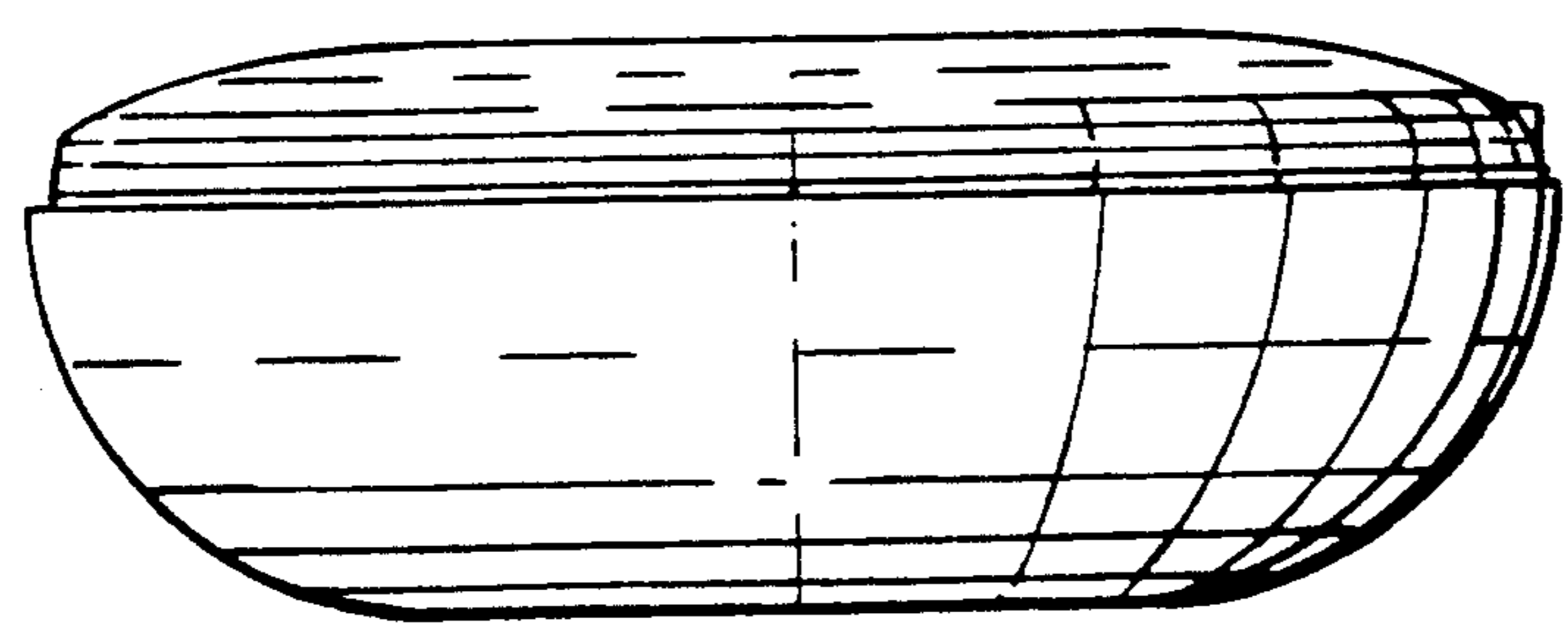


Fig. 8

