



US00D334974S

United States Patent [19]

[11] Patent Number: **Des. 334,974**

Gatarz

[45] Date of Patent: **** Apr. 20, 1993**

[54] **REINFORCING EXTERIOR SHELL FOR A BATHTUB**

4,179,760	12/1979	Nakagawa	4/619	X
4,209,862	7/1980	Cortes-Garza	4/584	
4,289,717	9/1981	Bartz	4/584	
4,316,294	2/1982	Baldwin	4/584	X
4,844,944	7/1989	Graefe et al.	4/538	X

[75] Inventor: **Gregory M. Gatarz**, East Brunswick, N.J.

[73] Assignee: **American Standard Inc.**, New York, N.Y.

Primary Examiner—James R. Largen
Attorney, Agent, or Firm—Blum Kaplan

[**] Term: **14 Years**

[57] **CLAIM**

[21] Appl. No.: **459,598**

An ornamental reinforcing exterior shell for a bathtub, as shown and described.

[22] Filed: **Jan. 2, 1990**

DESCRIPTION

[52] U.S. Cl. **D23/304**

[58] Field of Search D23/275, 277-283,
D23/8303-8307; 4/538, 555, 556, 571, 573, 579,
584, 589, 590, 592, 8593

FIG. 1 is a bottom perspective view of a reinforcing exterior shell for a bathtub showing my new design;
 FIG. 2 is a top perspective view thereof;
 FIG. 3 is a bottom plan view thereof;
 FIG. 4 is a cross sectional view taken on line 4—4 of FIG. 3;
 FIG. 5 is a cross sectional view taken on line 5—5 of FIG. 3;
 FIG. 6 is a top plan view thereof;
 FIG. 7 is a front elevational view thereof;
 FIG. 8 is a right end elevational view thereof;
 FIG. 9 is a left end elevational view thereof; and,
 FIG. 10 is a rear elevational view thereof.

[56] **References Cited**

U.S. PATENT DOCUMENTS

D. 167,574	8/1952	Kappel	D23/281	
D. 206,145	11/1966	Yormack	D23/304	X
2,468,347	4/1949	Restall	4/584	
2,602,935	7/1952	Phillips	4/584	
3,046,568	7/1962	Halberson	4/593	
3,246,345	4/1966	Thomas	4/592	
3,264,657	8/1966	Klinkner	D23/304	X
3,826,629	7/1974	Pryor et al.	4/538	X
4,043,853	8/1977	Saladino	4/538	X
4,053,545	10/1977	Fay	4/538	X

The broken line representation of a bathtub in FIG. 2 is for purposes of illustration only and forms no part of the claimed design.

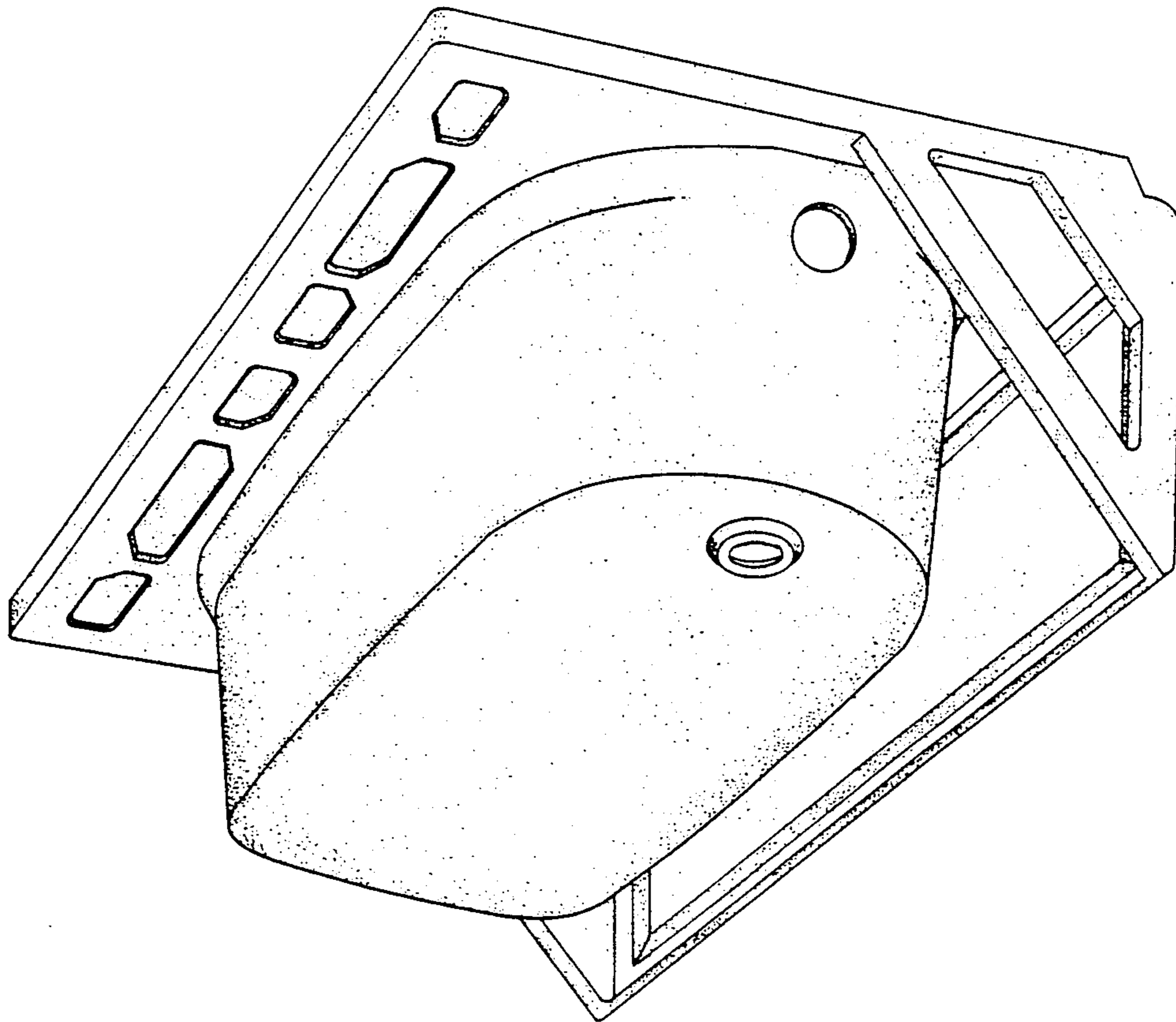


FIG. 1

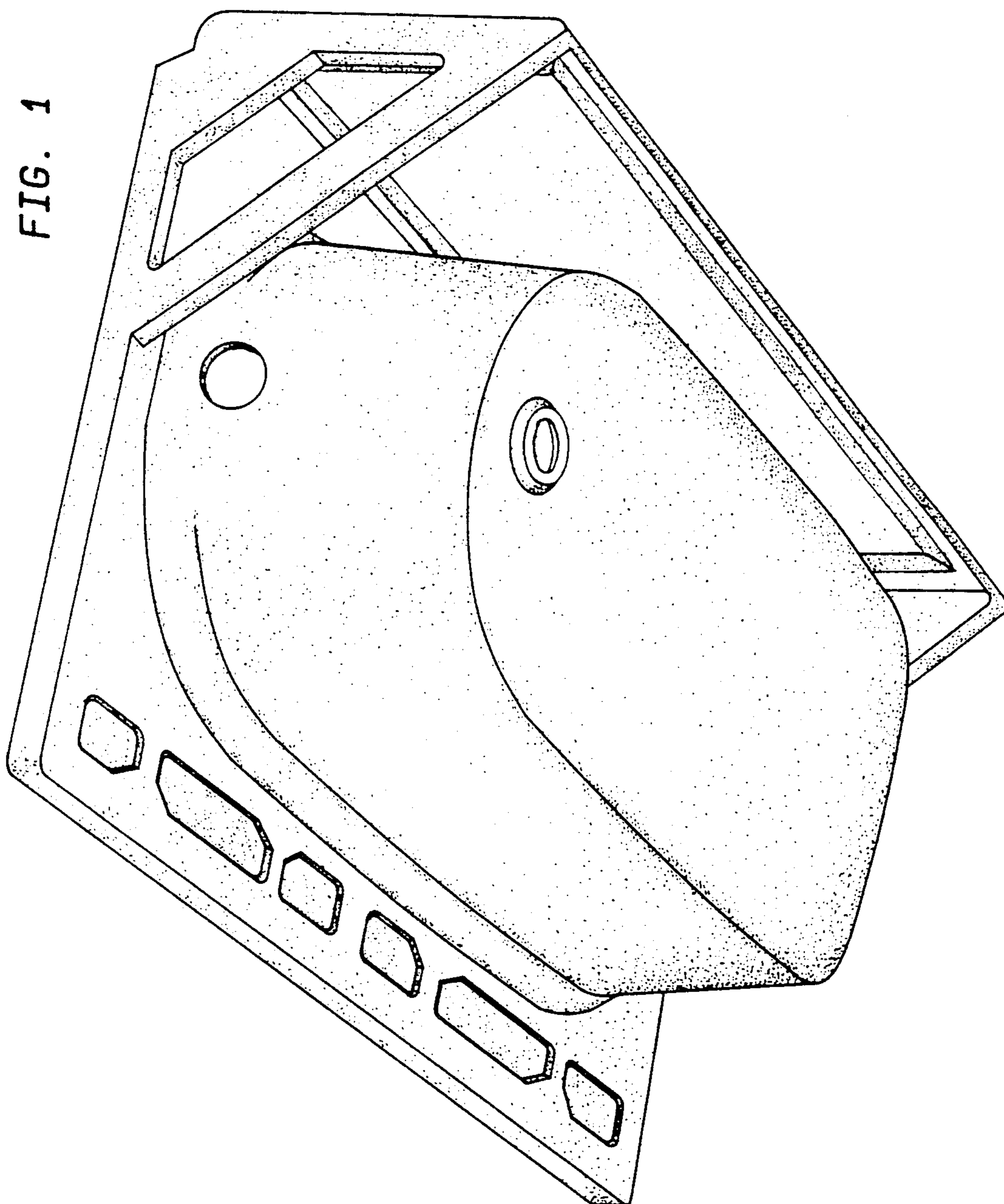


FIG. 2

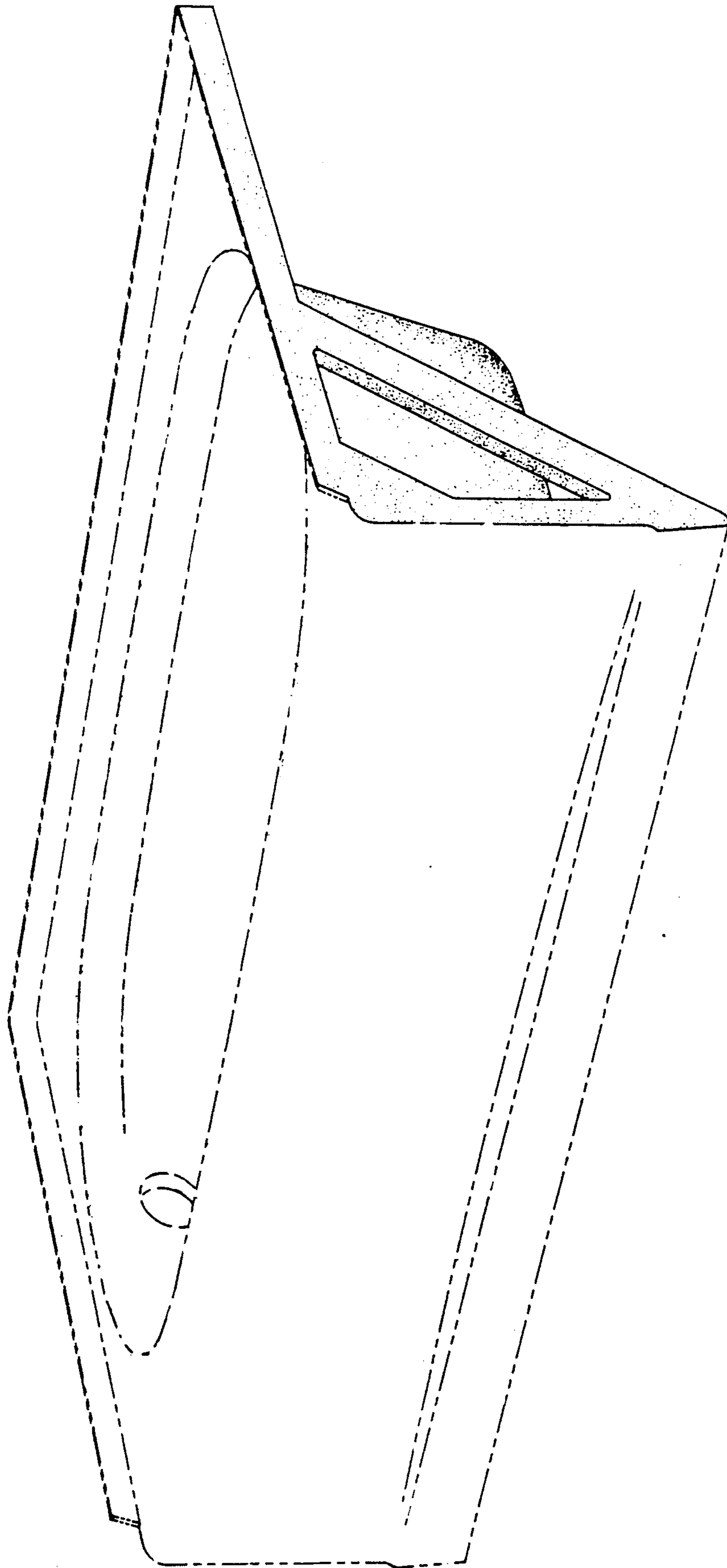


FIG. 3

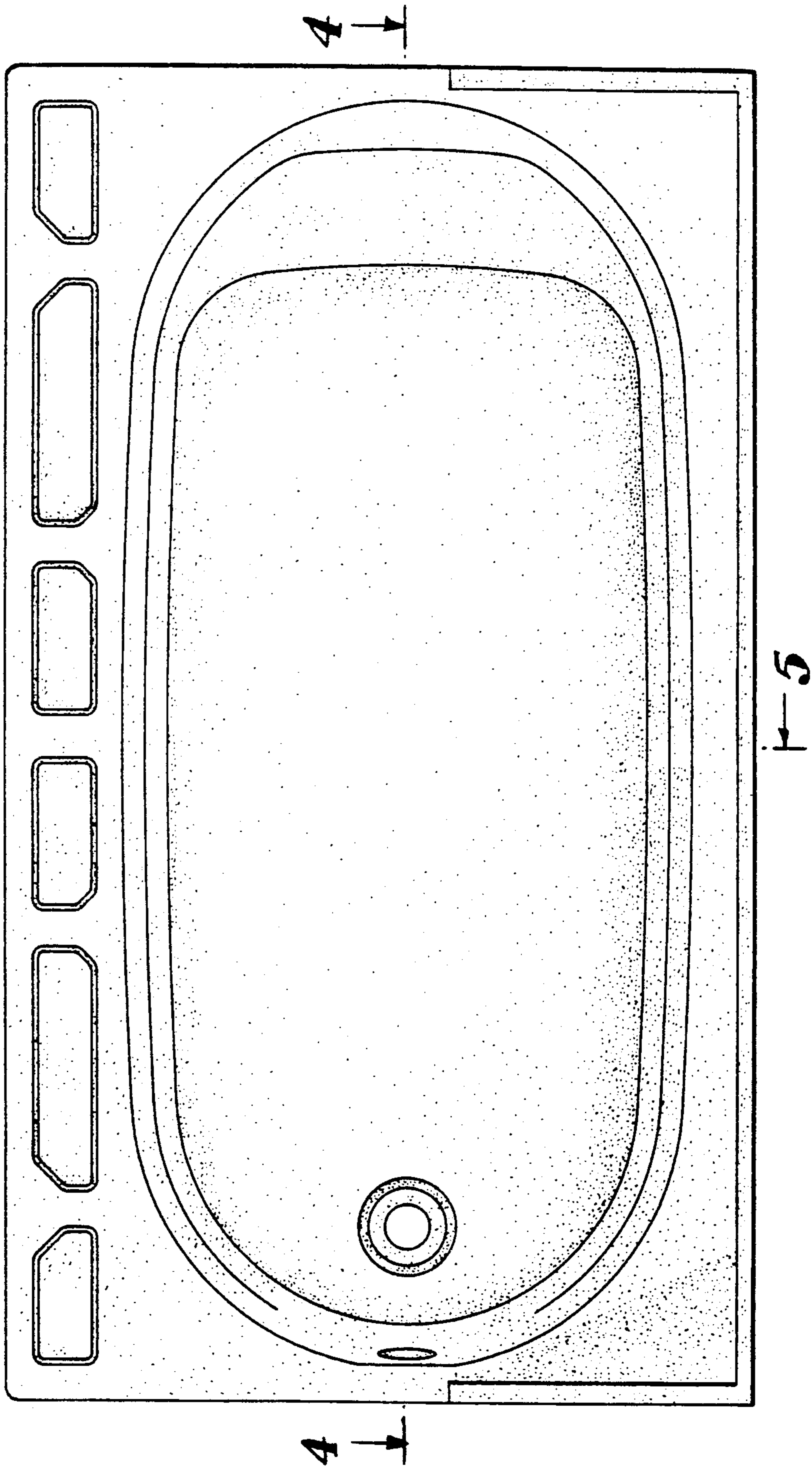


FIG. 4

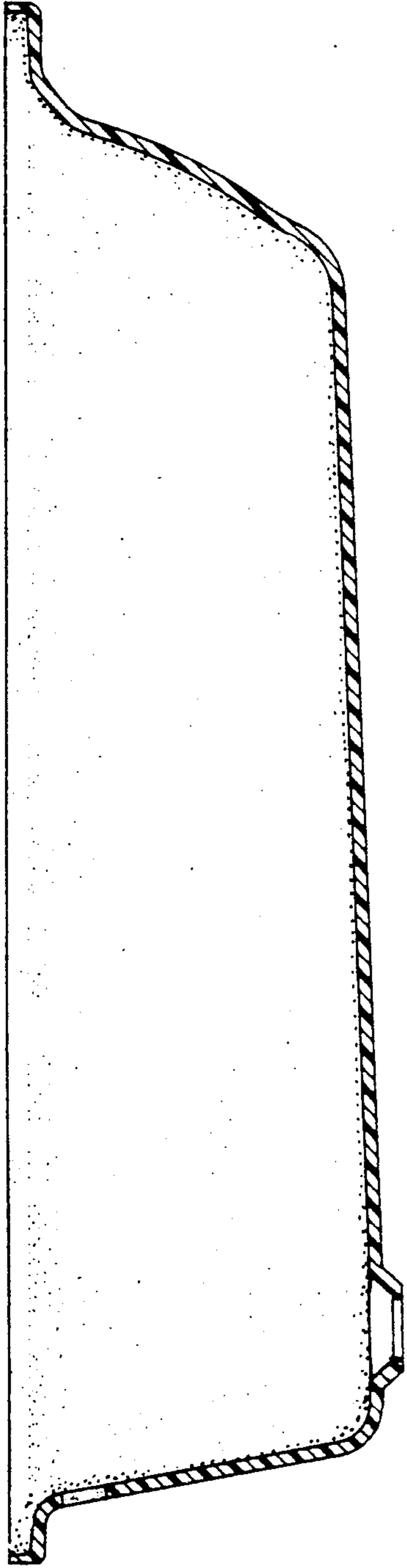


FIG. 5

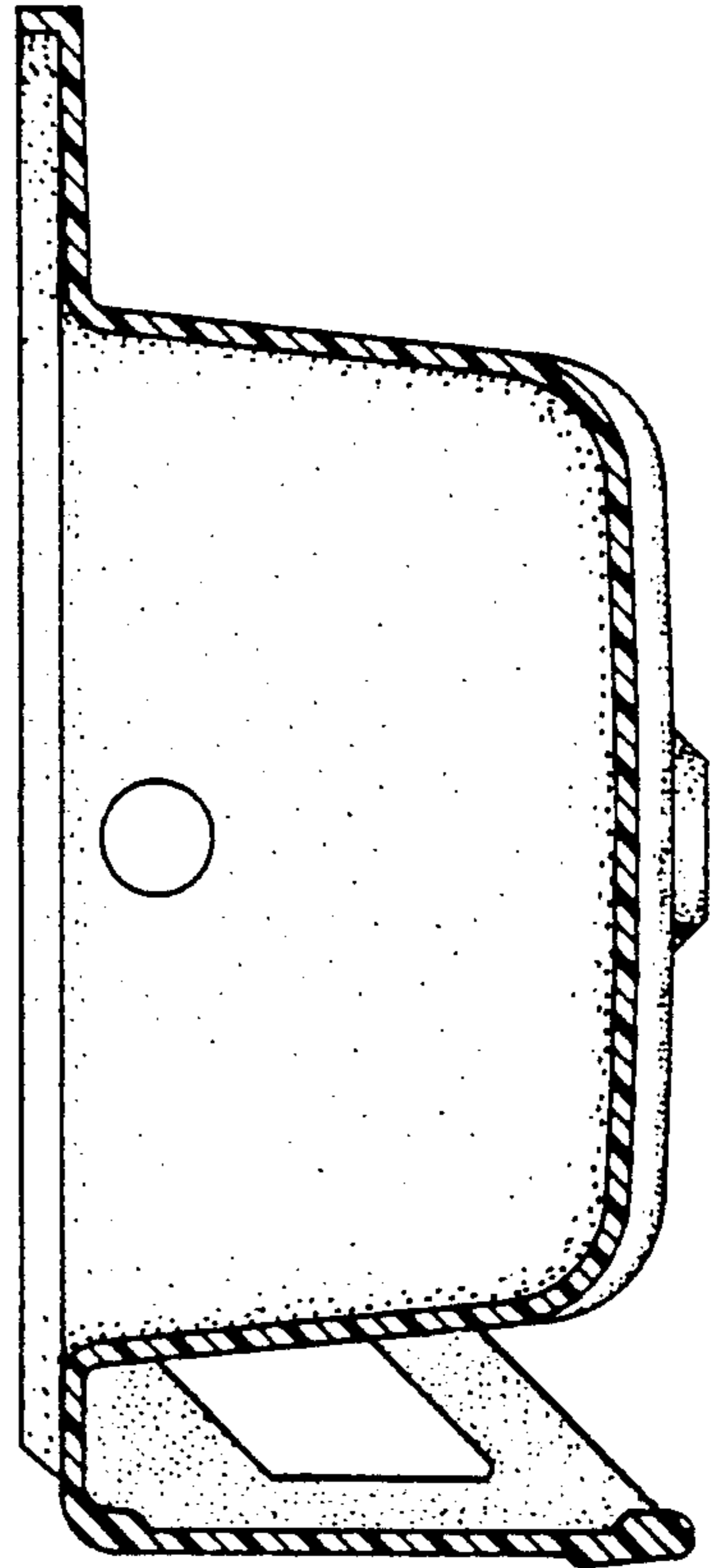


FIG. 6

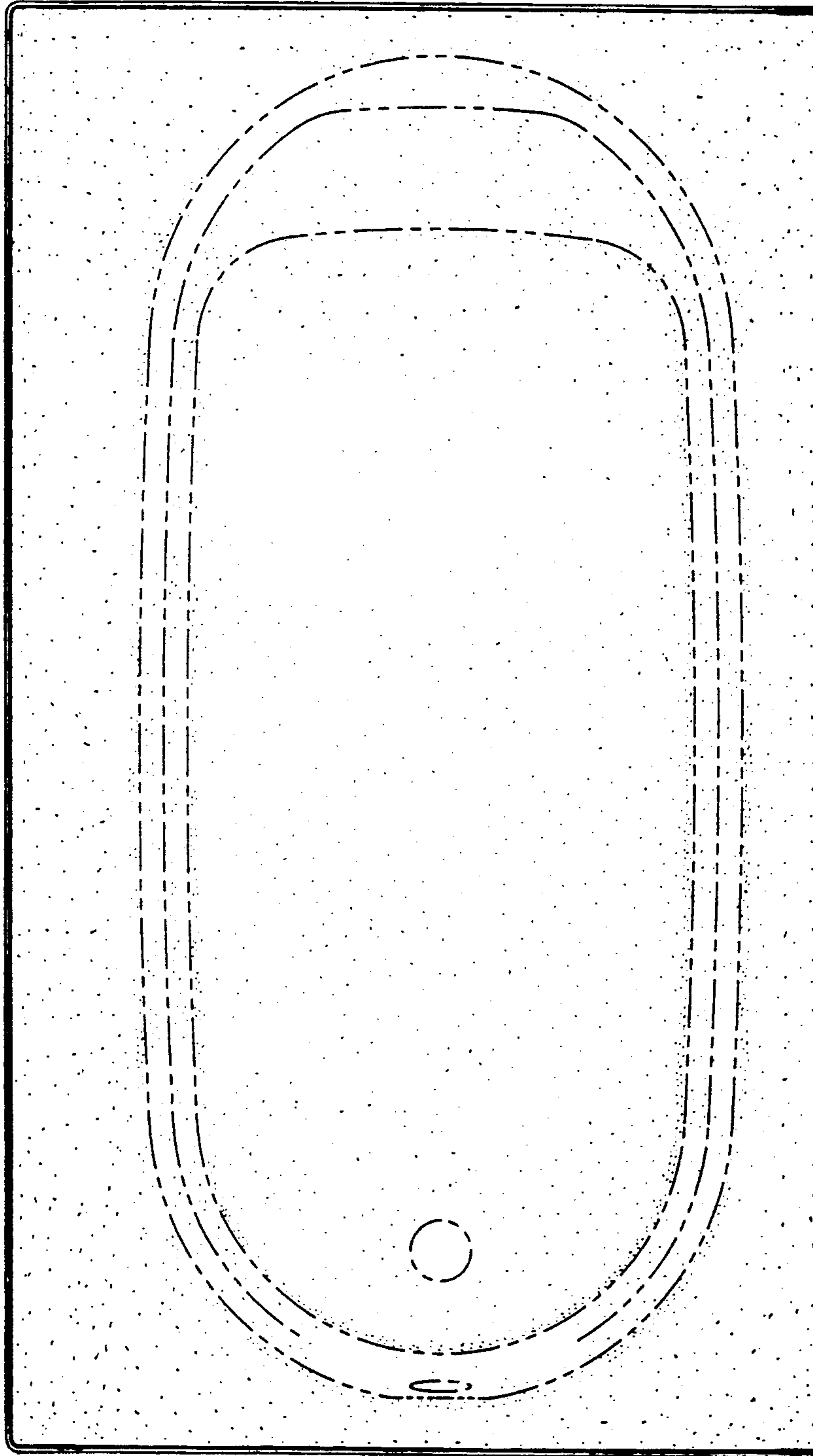


FIG. 7

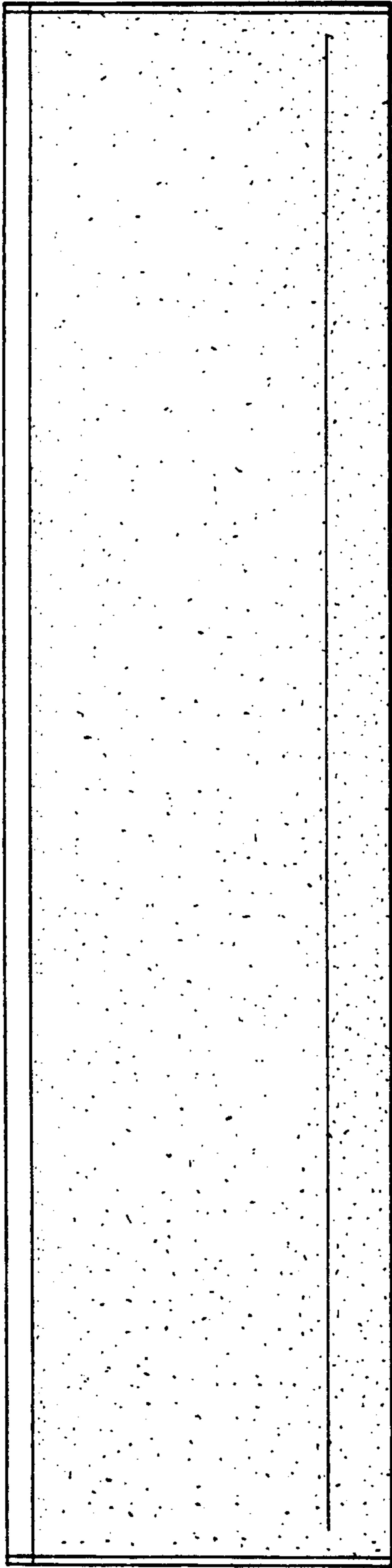


FIG. 8

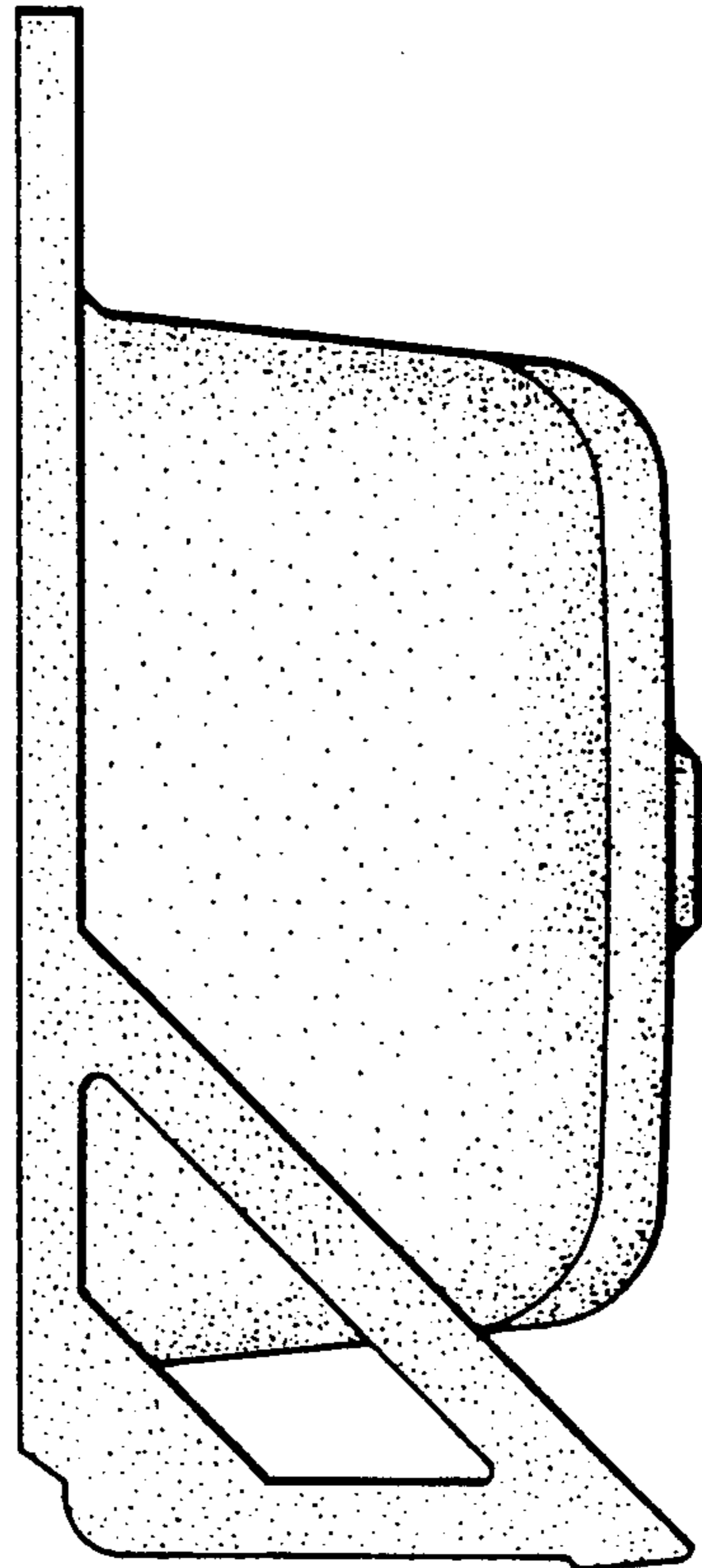


FIG. 9

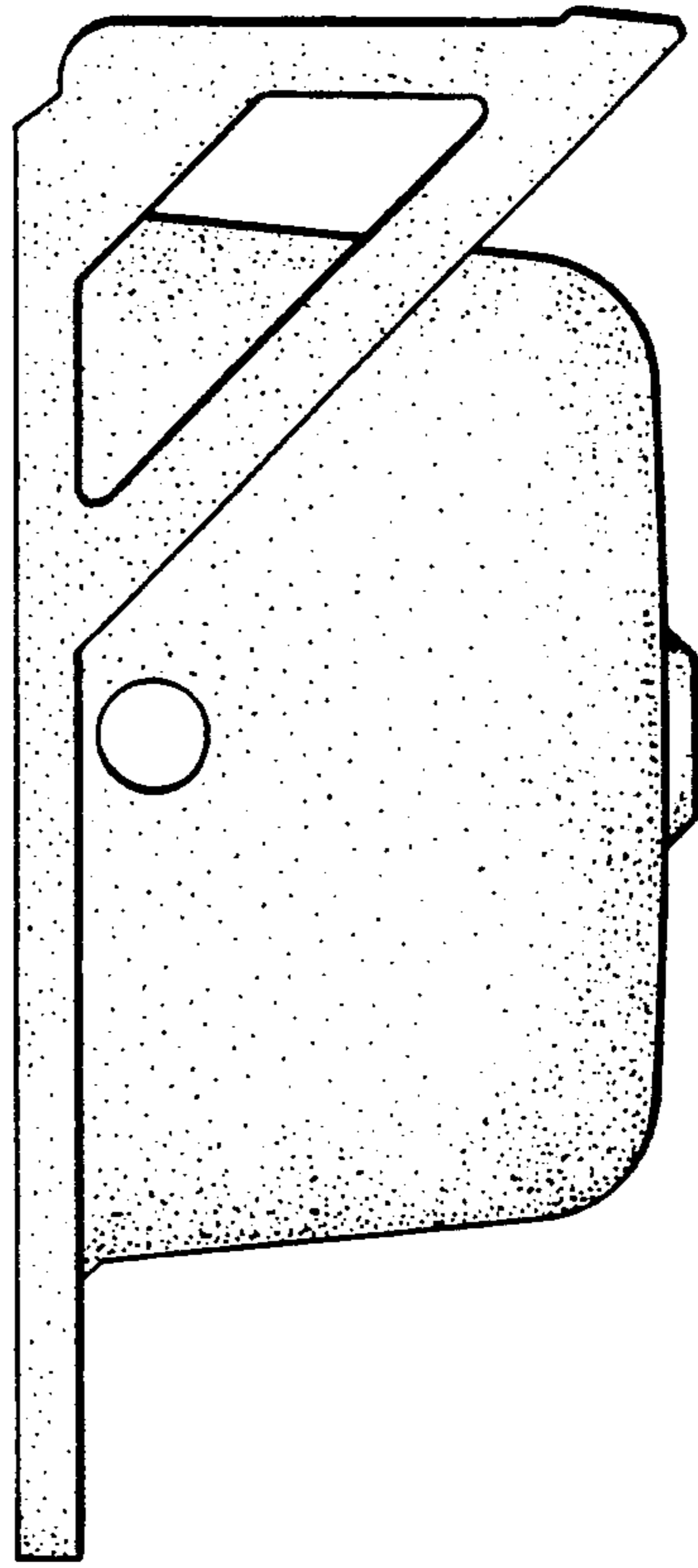


FIG. 10

