



US00D334972S

# United States Patent [19]

Berfield et al.

[11] Patent Number: **Des. 334,972**

[45] Date of Patent: **\*\* Apr. 20, 1993**

## [54] PRESSURE SPRAY WASHER

[75] Inventors: **Robert C. Berfield**, Jersey Shore;  
**Craig A. Seasholtz**, Avis, both of Pa.

[73] Assignee: **Shop-Vac Corporation**, Williamsport,  
Pa.

[\*\*] Term: **14 Years**

[21] Appl. No.: **580,504**

[22] Filed: **Sep. 11, 1990**

[52] U.S. Cl. .... **D23/225**

[58] Field of Search ..... **D23/200, 213-232,**  
**D23/202; 137/259, 315, 377, 382, 559, 565;**  
**220/3.2, 23.83, 23.86; 239/301-302, 310, 315,**  
**317-318, 323, 332, 414-415, 532**

## [56] References Cited

### U.S. PATENT DOCUMENTS

D. 243,690	3/1977	Doyel .....	D23/225
D. 258,380	2/1981	Briar .....	D23/225
D. 270,856	10/1983	Peetz et al. ....	D23/202
D. 292,133	9/1987	Proctor et al. ....	D23/225
2,201,080	5/1940	Clark .....	D23/225 X
4,413,683	11/1983	Hune .....	137/382 X
4,925,105	5/1990	Lin .....	239/332 X
4,993,457	2/1991	Berfield .....	137/259 X

## OTHER PUBLICATIONS

Williams-Sonema Gardener's Eden Catalog item double action sprayer, p. IV.

*Primary Examiner*—Wallace R. Burke

*Assistant Examiner*—M. H. Tung

*Attorney, Agent, or Firm*—Marshall, O'Toole, Gerstein,  
Murray & Bicknell

## [57] CLAIM

The ornamental design for a pressure spray washer, as shown and described.

## DESCRIPTION

FIG. 1 is a perspective view of a pressure spray washer showing our new design;

FIG. 2 is a right side elevational view thereof;

FIG. 3 is a left side elevational view thereof;

FIG. 4 is a top plan view thereof;

FIG. 5 is a bottom plan view thereof;

FIG. 6 is a front elevational view thereof;

FIG. 7 is a rear elevational view thereof;

FIG. 8 is a perspective view of a second embodiment thereof;

FIG. 9 is a right side elevational view thereof;

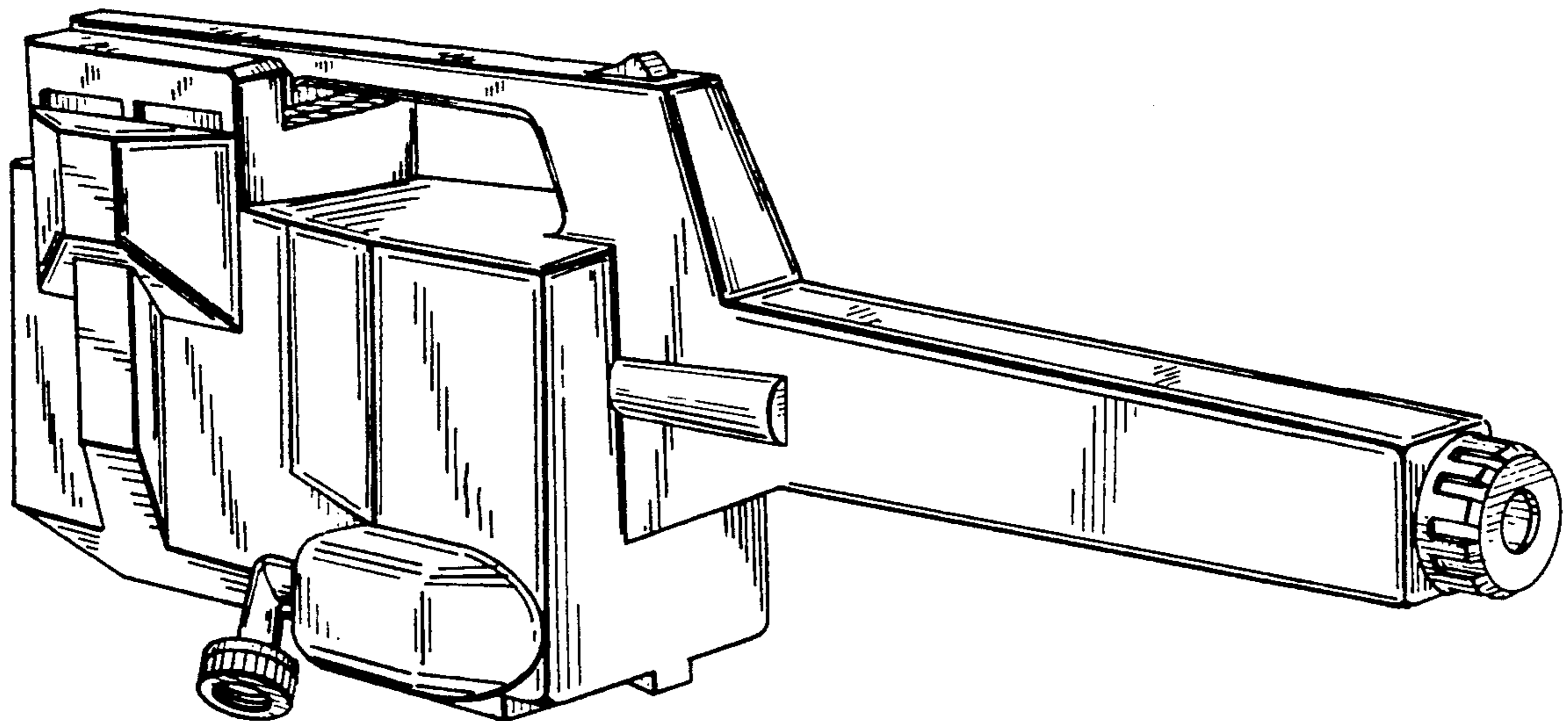
FIG. 10 is a left side elevational view thereof;

FIG. 11 is a top plan view thereof;

FIG. 12 is a bottom plan view thereof;

FIG. 13 is a front elevational view thereof; and,

FIG. 14 is a rear elevational view thereof.



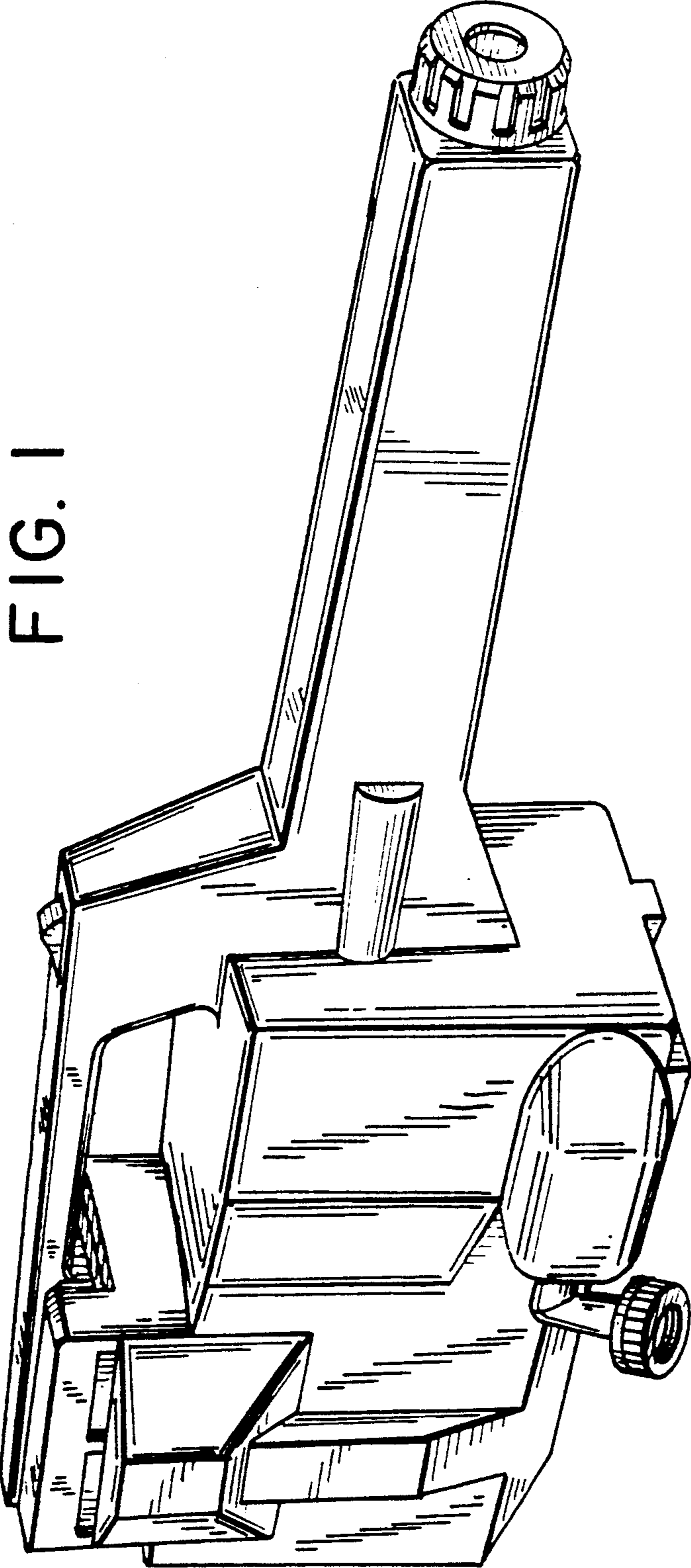
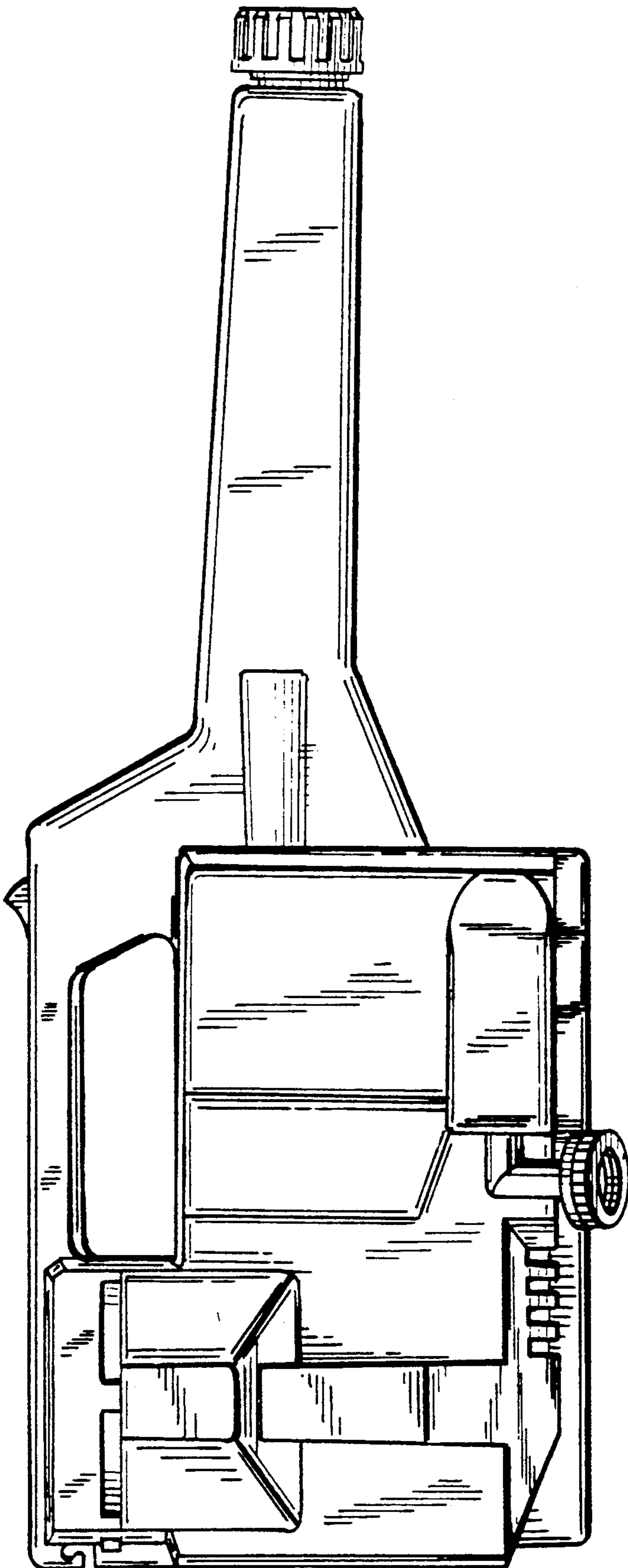


FIG. 1

FIG. 2



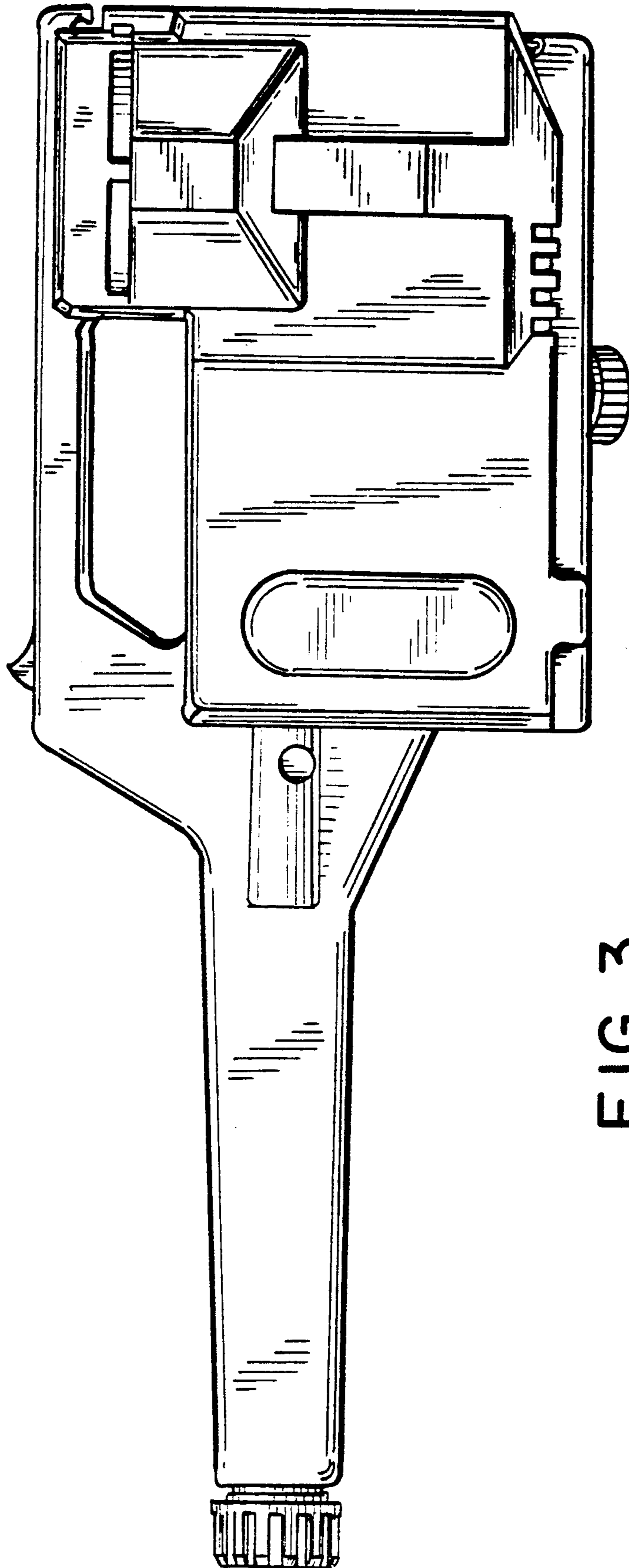


FIG. 3

FIG. 4

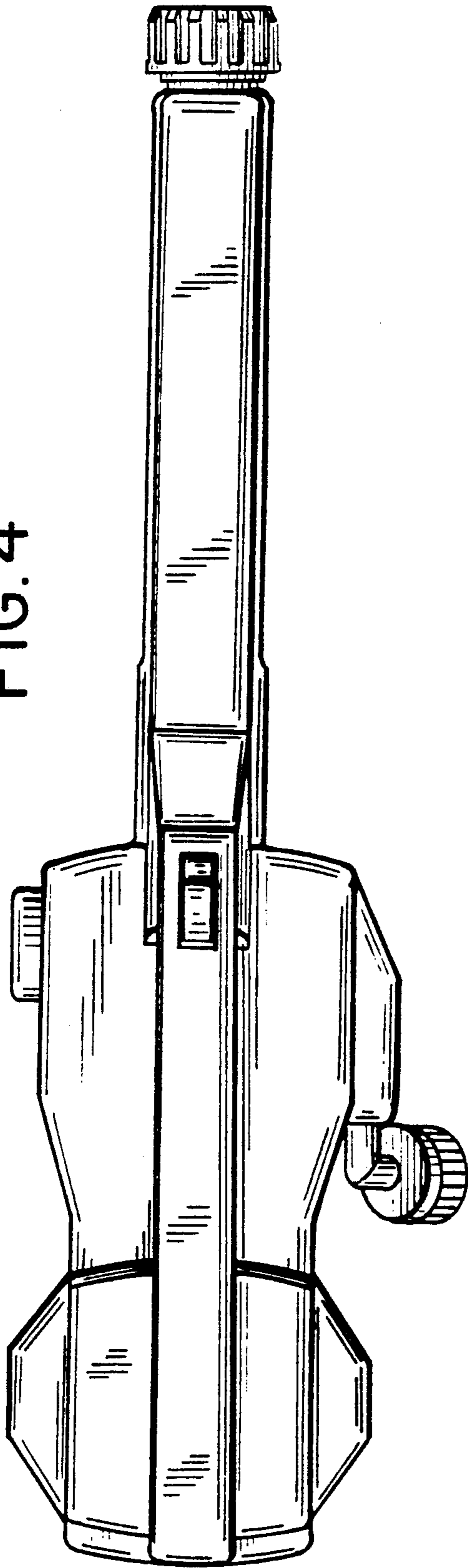
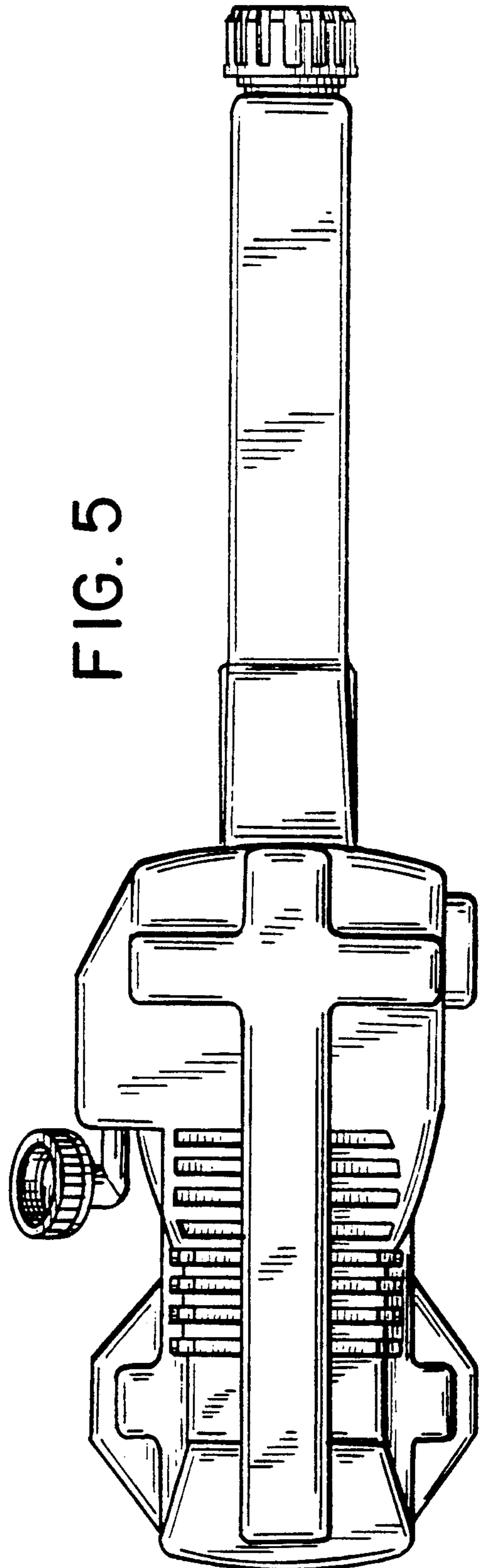


FIG. 5



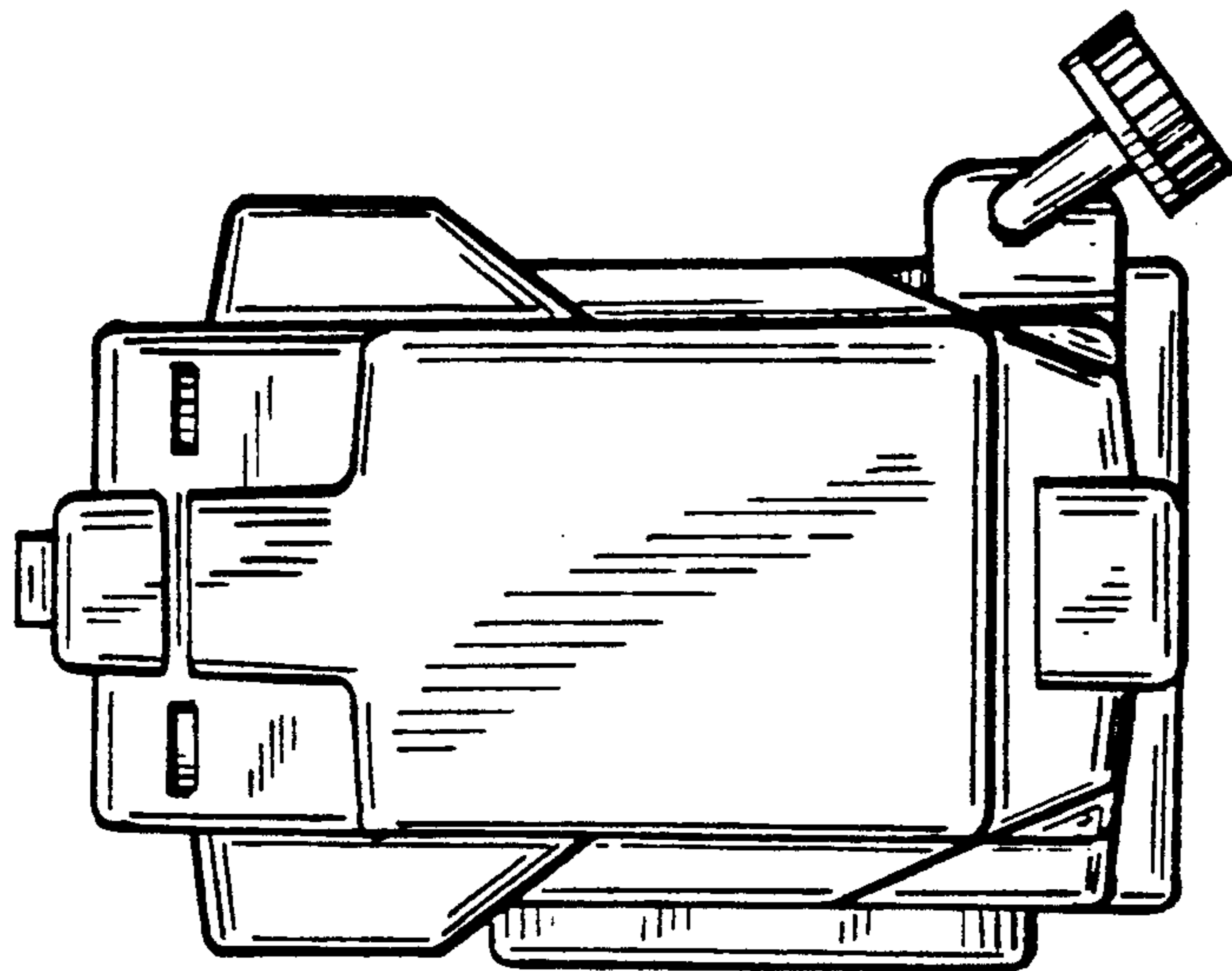


FIG. 7

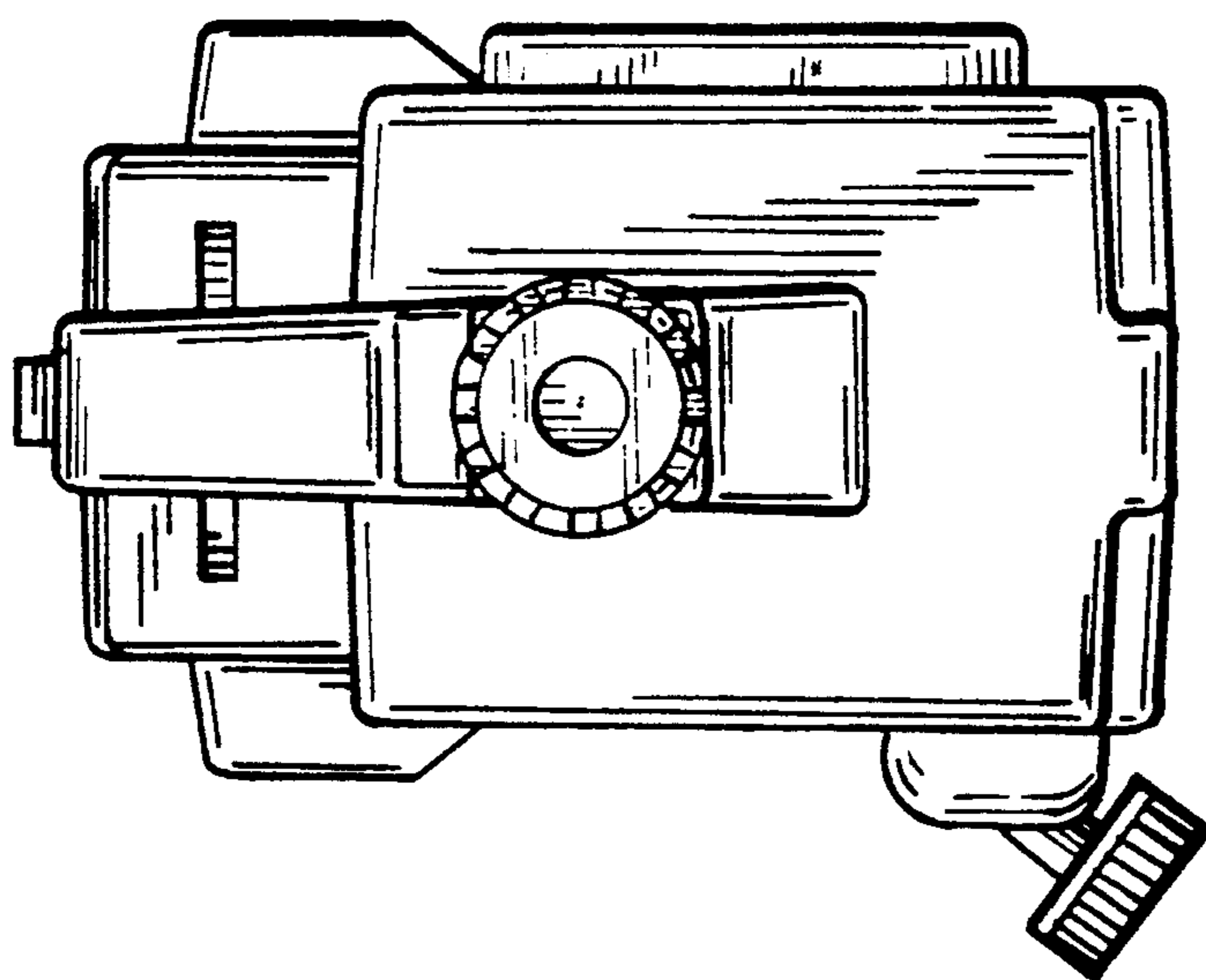


FIG. 6

FIG. 8

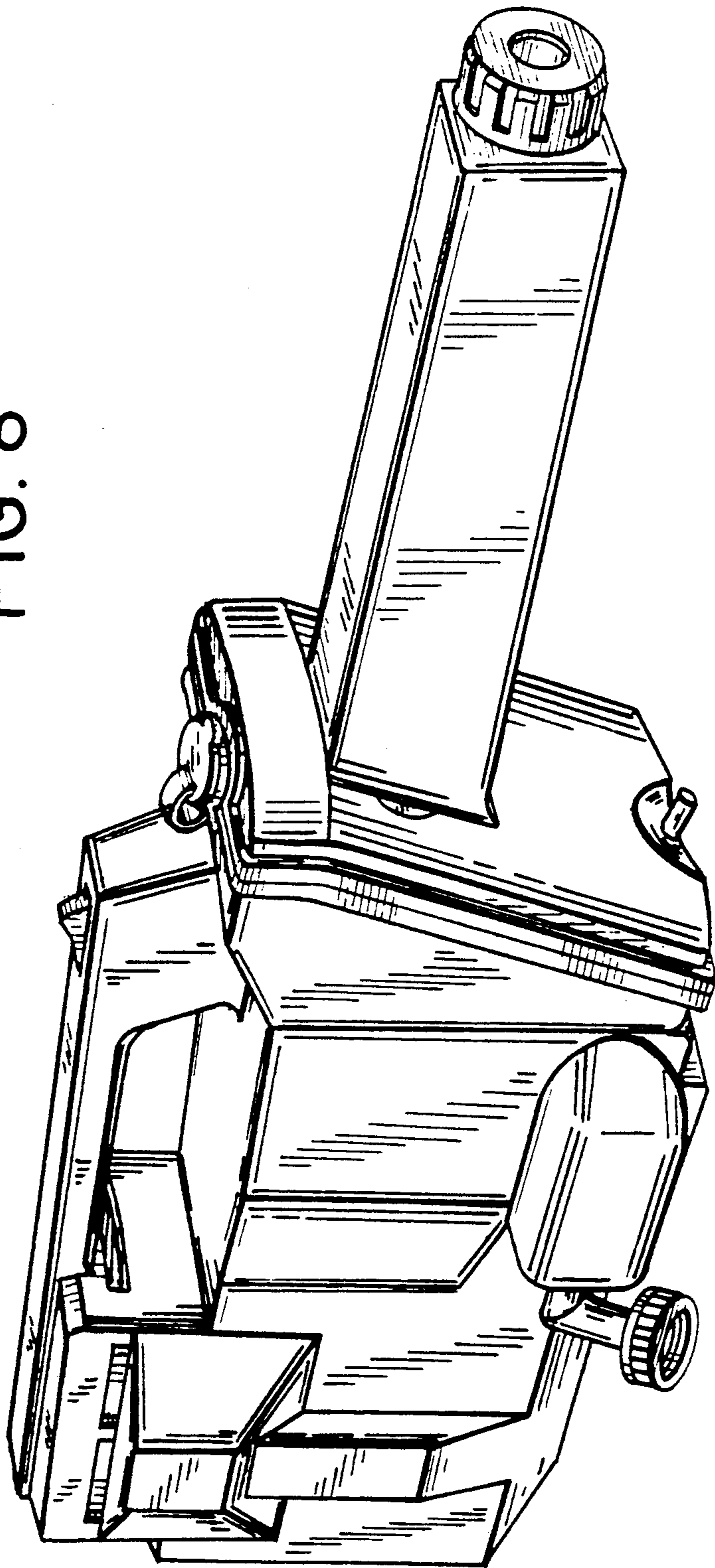
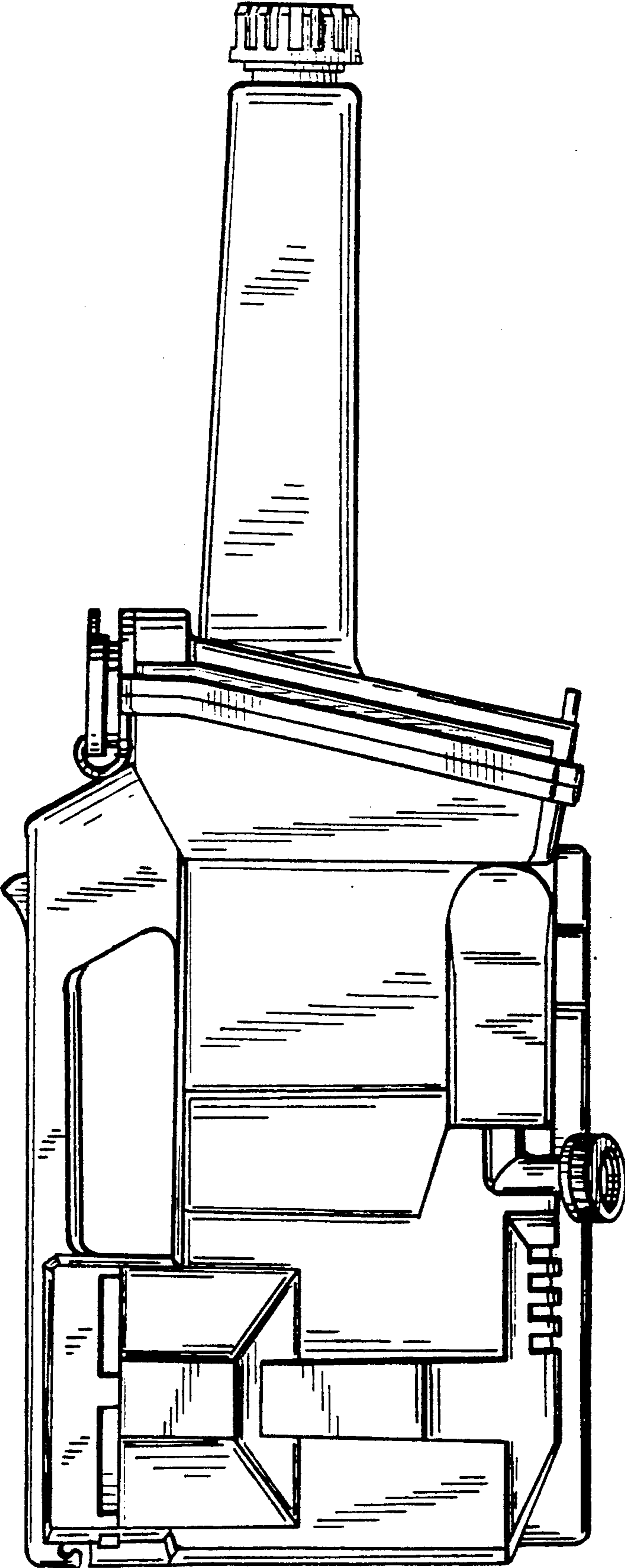


FIG. 9





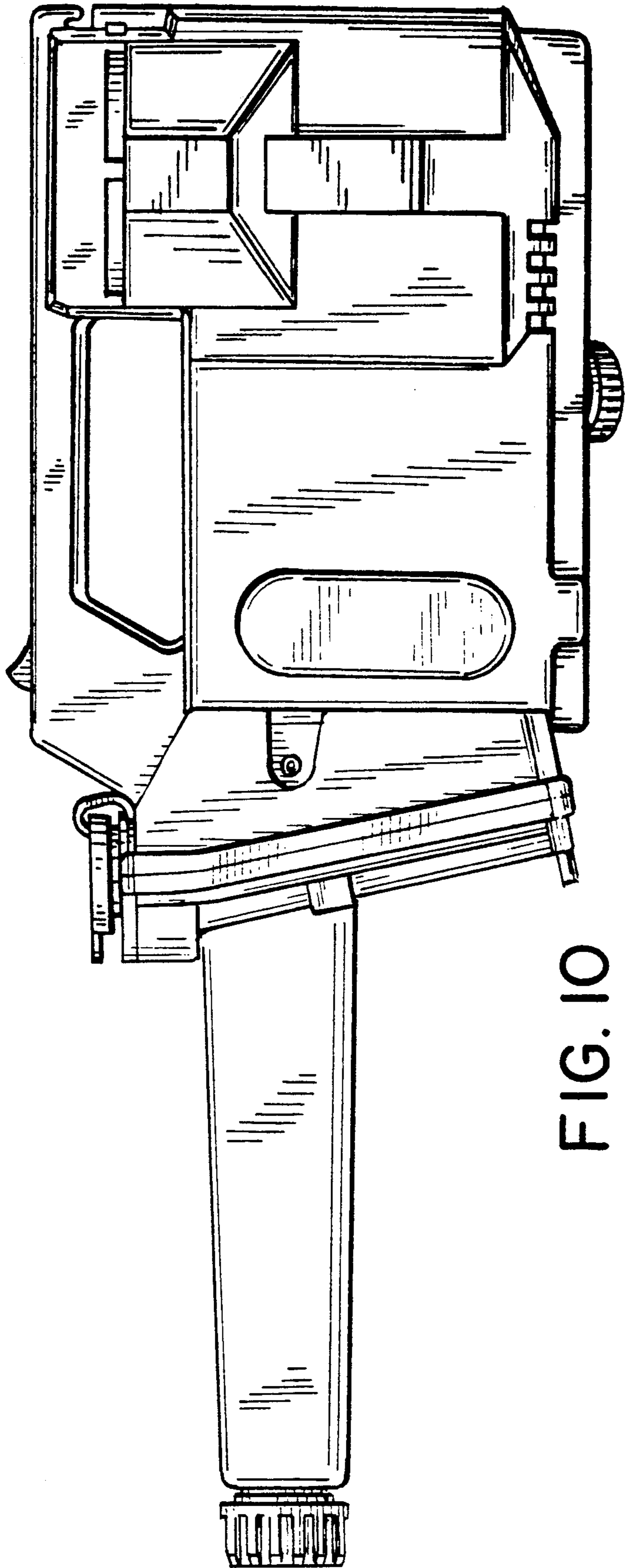


FIG. 10

FIG. 11

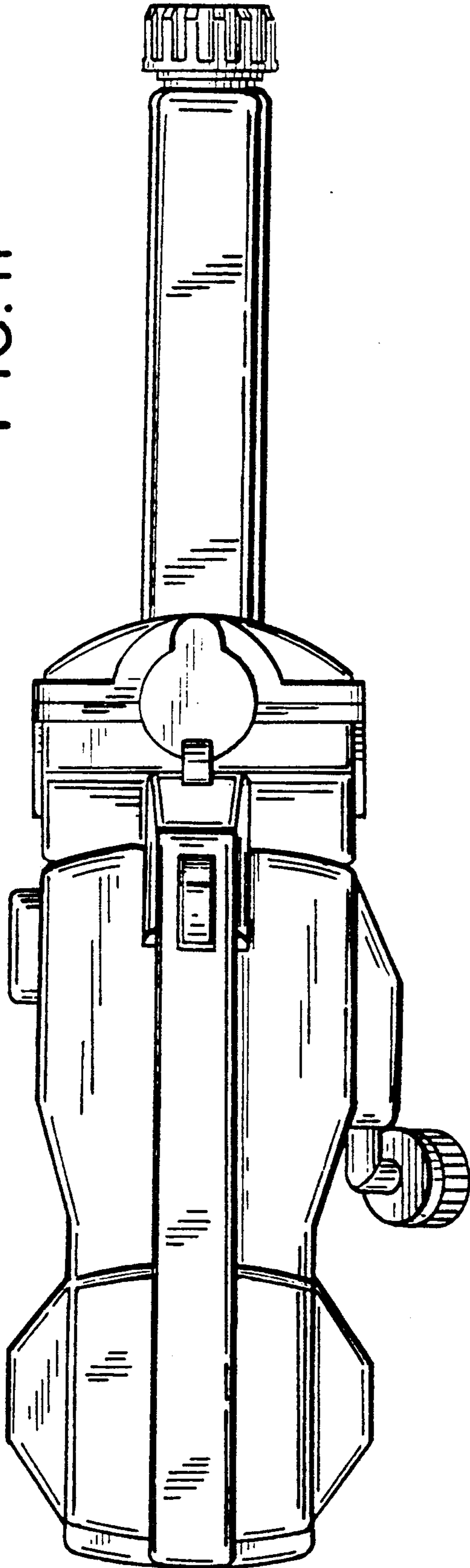
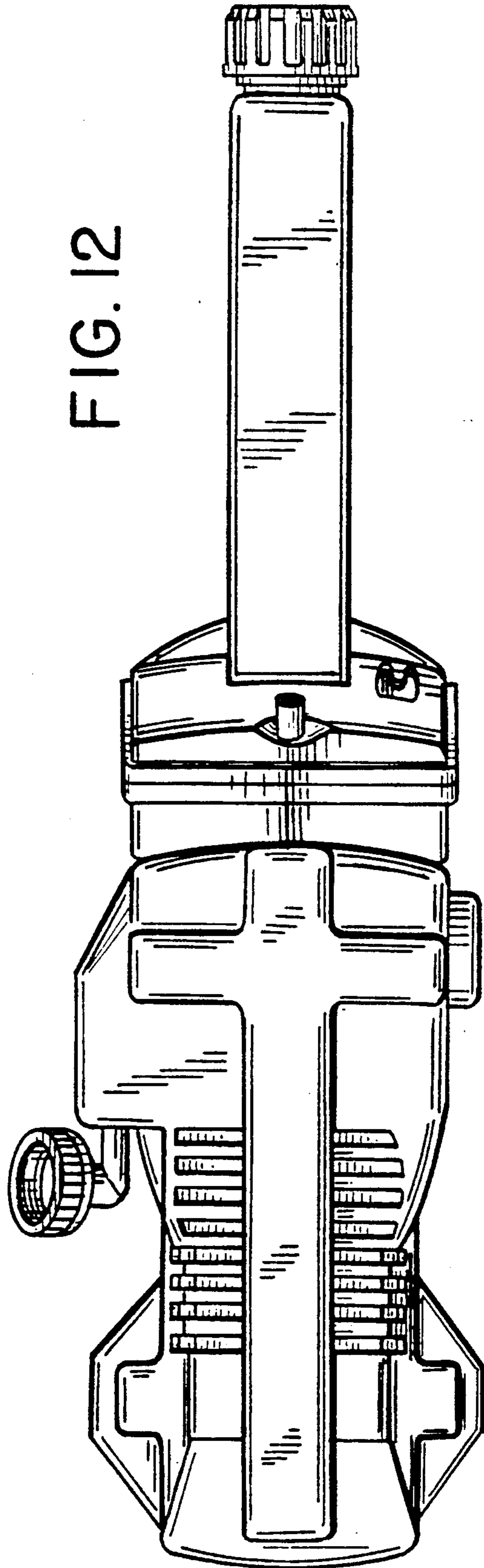


FIG. 12



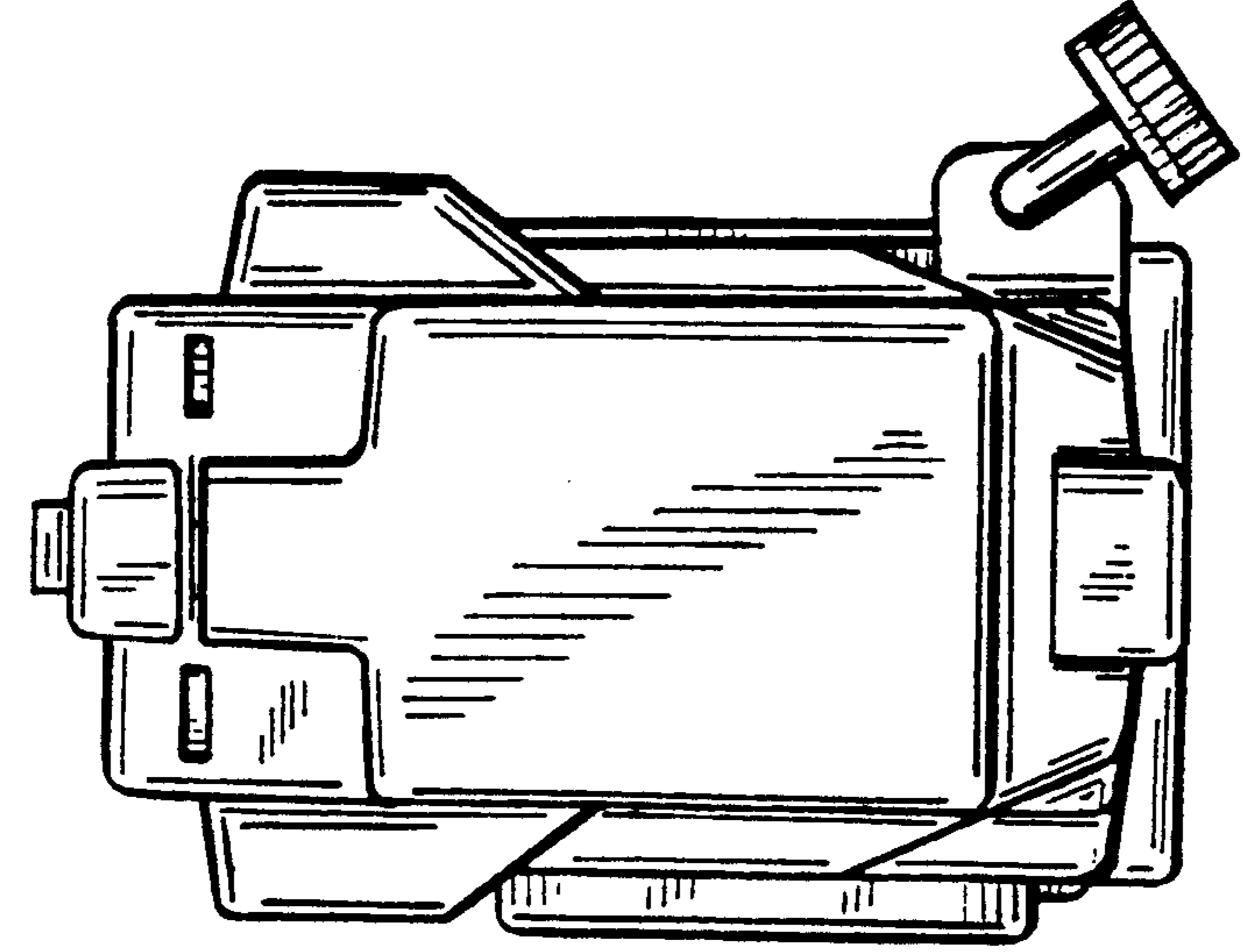


FIG. 14

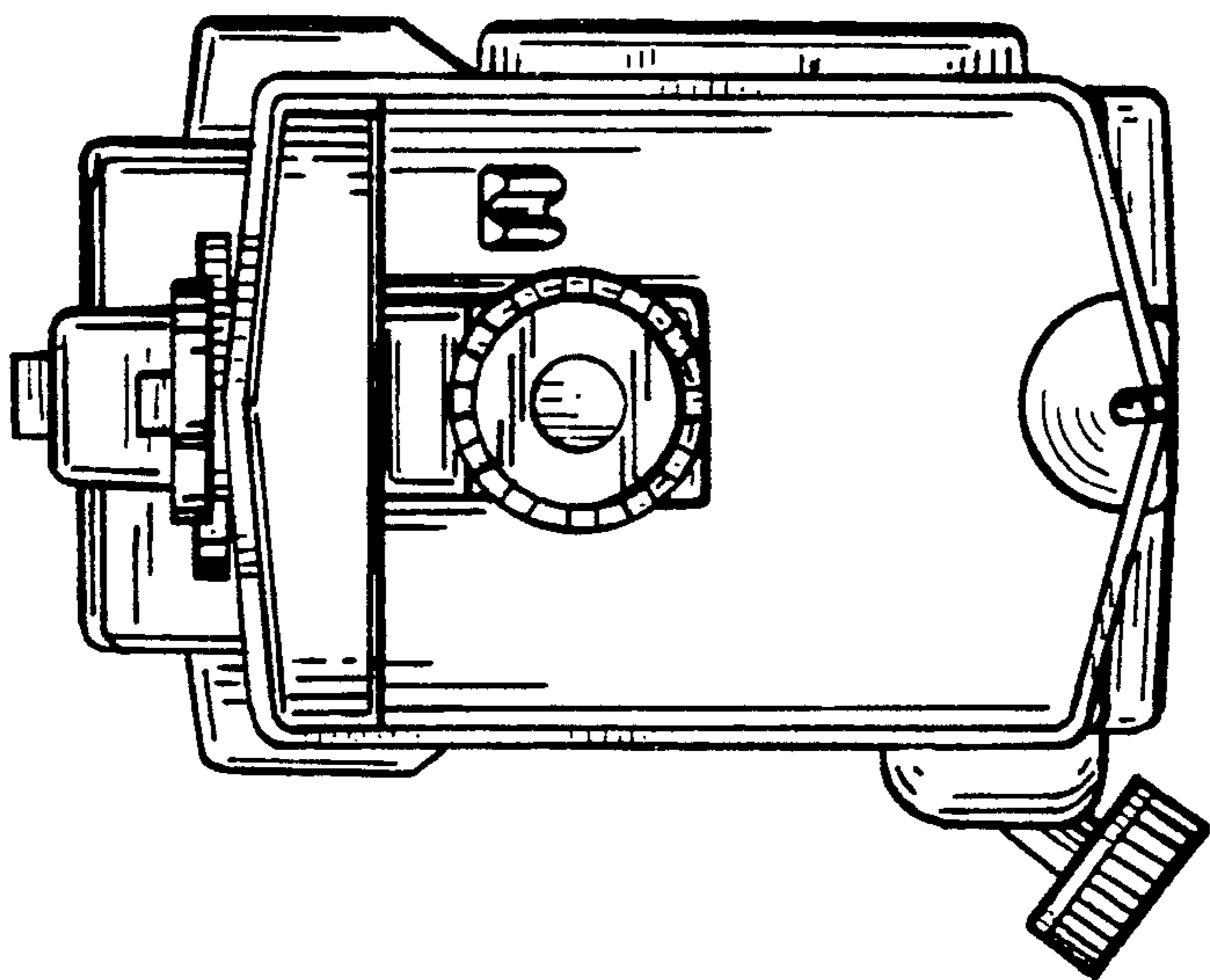


FIG. 13