



US00D334968S

# United States Patent [19]

[11] Patent Number: **Des. 334,968**

Gladfelter et al.

[45] Date of Patent: **\*\* Apr. 20, 1993**

## [54] CHEMICAL DETERGENT BLOCK

[75] Inventors: **Elizabeth J. Gladfelter**, Falcon Heights; **Tina O. Outlaw**, Inver Grove Heights; **James L. Copeland**; **Rhonda K. Schulz**, both of Burnsville; **Daniel K. Boche**, Eagan; **Jeff W. Peterson**, Minnetonka, all of Minn.

[73] Assignee: **Ecolab Inc.**, St. Paul, Minn.

[\*\*] Term: **14 Years**

[21] Appl. No.: **699,784**

[22] Filed: **May 14, 1991**

[52] U.S. Cl. .... **D23/207; D24/101; D28/8.1**

[58] Field of Search ..... **D23/207; D24/100-104; D28/8.1; 252/90, 174.23, 174, 156, DIG. 2, DIG. 3; 206/0.5, 524.1; 403/305**

## [56] References Cited

### U.S. PATENT DOCUMENTS

D. 283,649	4/1986	Casberg .....	D23/207
D. 285,729	9/1986	Tovey .....	D24/101
D. 304,244	10/1989	Tovey .....	D28/8.1
3,925,225	12/1975	Morrison .....	252/90
4,569,780	2/1986	Fernholz et al. ....	252/90
5,122,158	6/1992	Kuroda et al. ....	252/90
5,133,892	7/1992	Chun et al. ....	252/90

*Primary Examiner*—Wallace R. Burke  
*Assistant Examiner*—Melody Brown  
*Attorney, Agent, or Firm*—Merchant, Gould, Smith, Edell, Welter & Schmidt

## [57] CLAIM

The ornamental design for a chemical detergent block, as shown and described.

## DESCRIPTION

FIG. 1 is a perspective view of a chemical detergent block showing our new design; FIG. 2 is a top plan view thereof; and, FIG. 3 is a side elevational view thereof all other sides being mirror images of that shown. The bottom view is flat and unornamented.

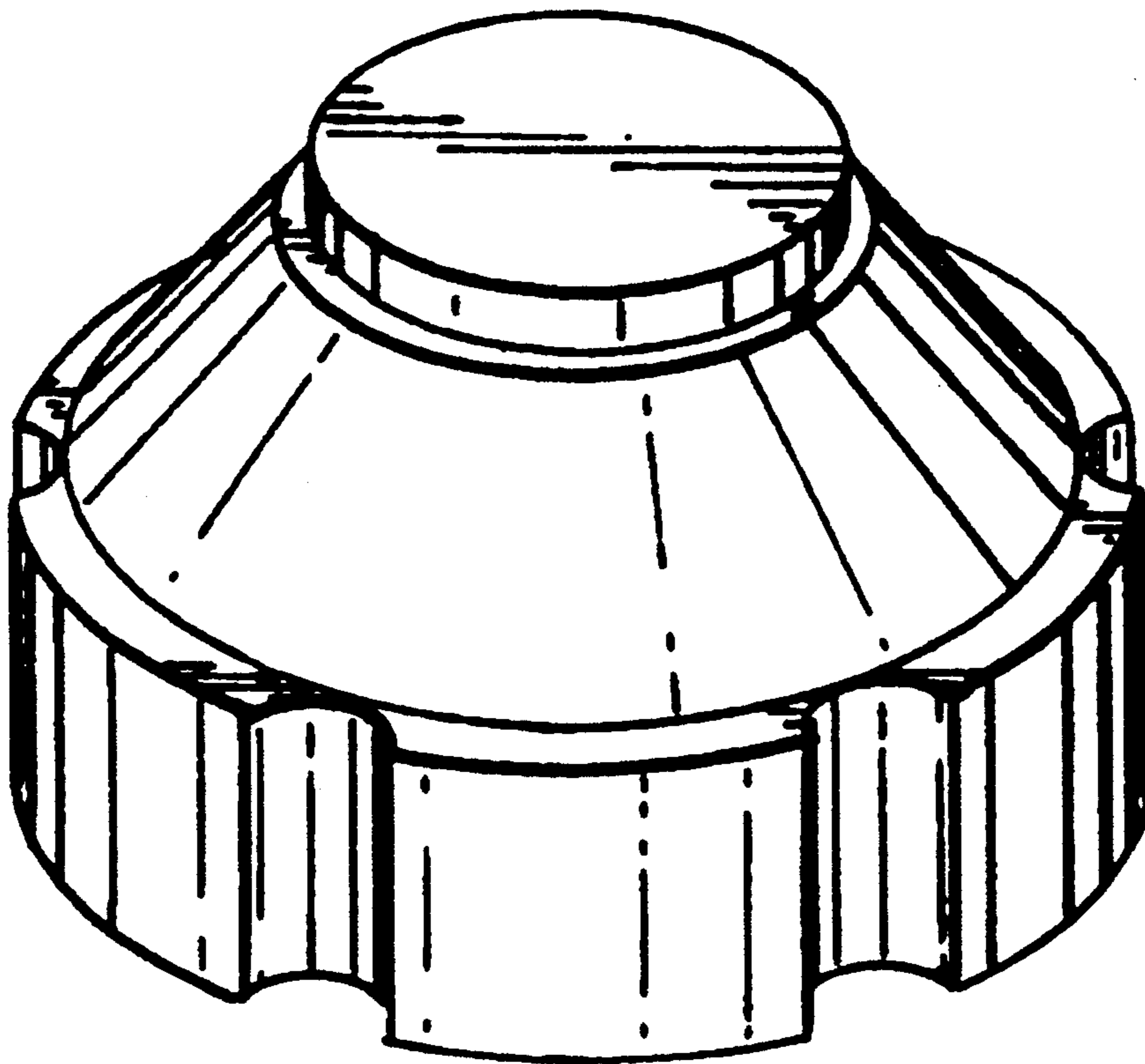


FIG. 1

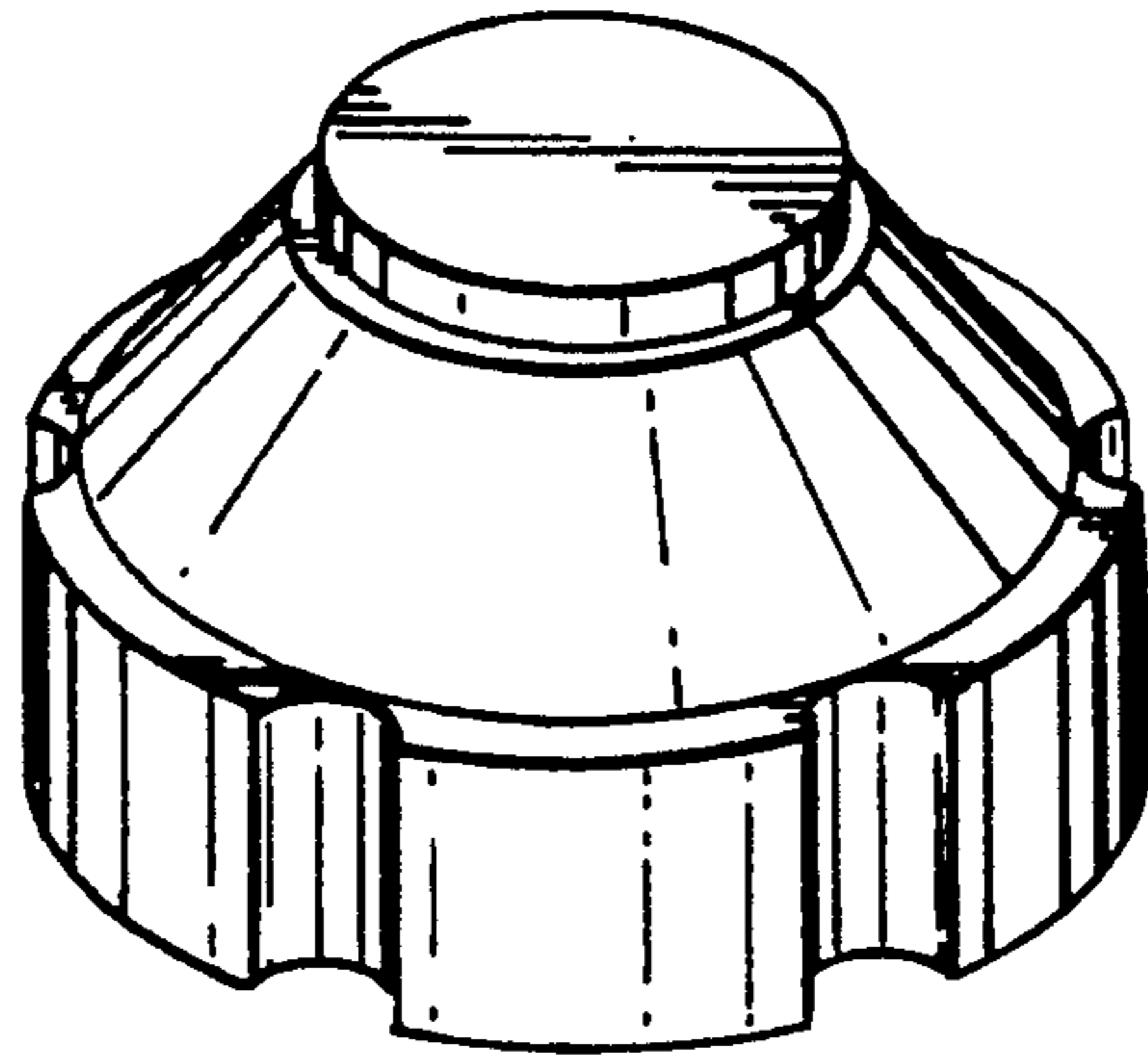


FIG. 2

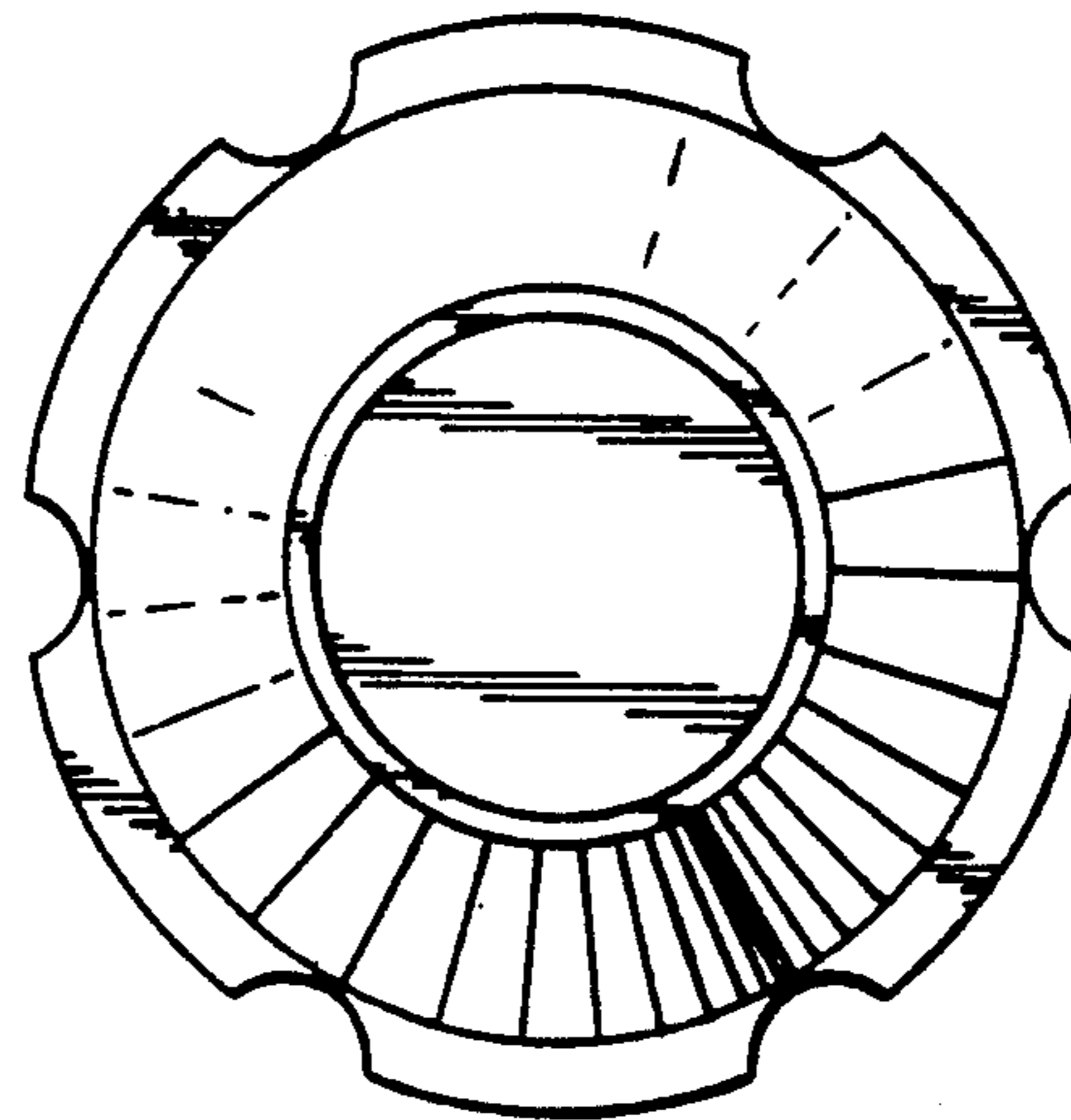


FIG. 3

