



US00D334967S

United States Patent [19]

[11] Patent Number: **Des. 334,967**

Kitsuda

[45] Date of Patent: **** Apr. 20, 1993**

[54] SAFETY CAP FOR GAS CYLINDERS

4,600,033 7/1986 Baron 220/85 P X
4,664,286 5/1987 Winkelmann et al. 220/85 P

[76] Inventor: **Sakae Kitsuda**, 1-3-5 Nishi-yawata,
Hiratsuka, Kanagawa, Japan

Primary Examiner—Susan J. Lucas
Assistant Examiner—M. H. Tung
Attorney, Agent, or Firm—James E. Brunton

[**] Term: **14 Years**

[21] Appl. No.: **386,493**

[57] **CLAIM**

[22] Filed: **Jul. 27, 1989**

The ornamental design for safety cap for gas cylinders,
as shown.

[52] U.S. Cl. **D23/206; D9/435**

[58] Field of Search **D23/200, 202, 205-206;**
220/85 P, 85 D, 85 E, 85 K; 137/382; D9/435,
445

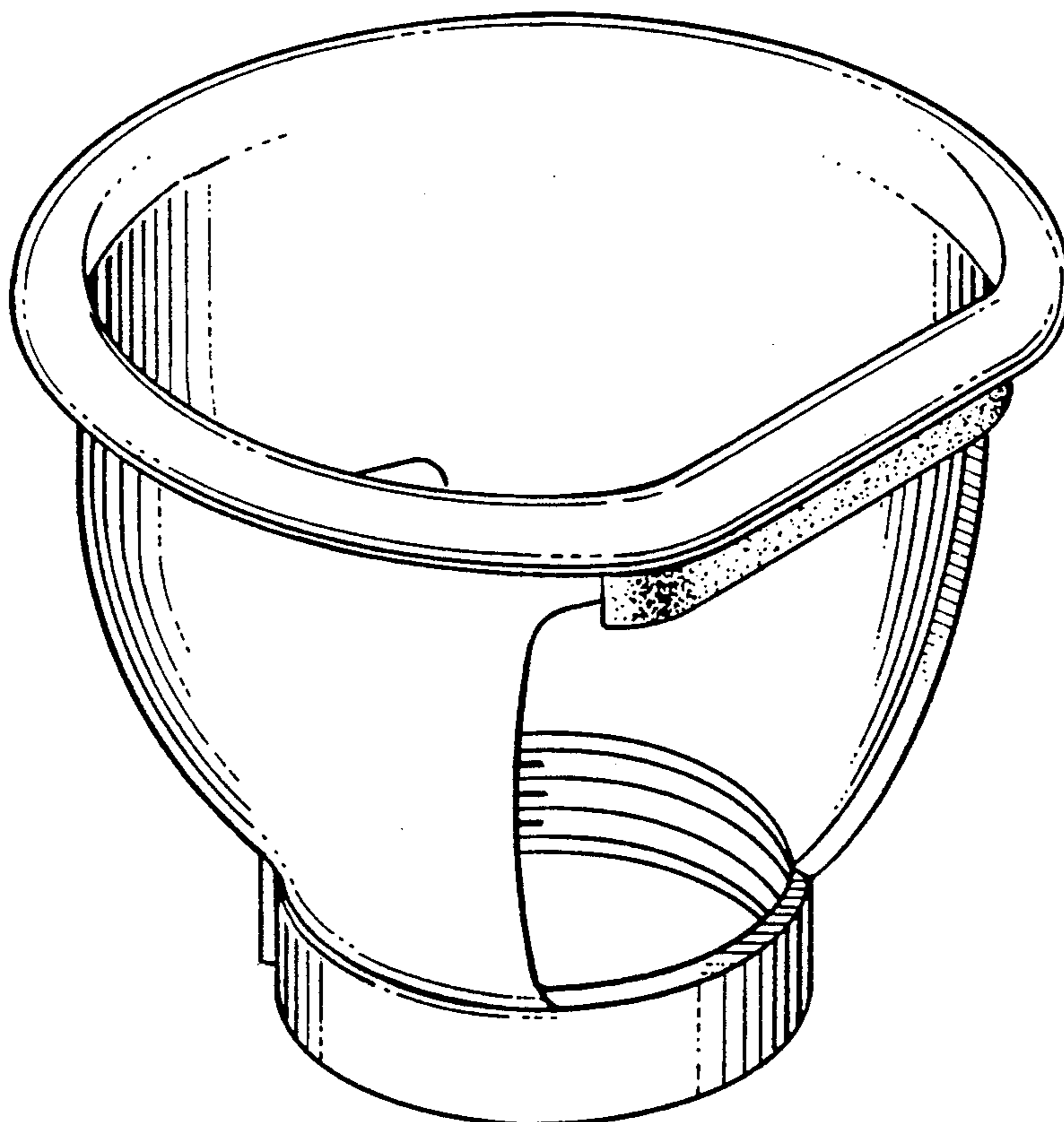
DESCRIPTION

[56] **References Cited**

U.S. PATENT DOCUMENTS

2,679,332 5/1954 Humbarger 137/382 X
2,964,054 12/1960 Weatherhead, Jr. 137/382
3,006,360 10/1961 Oxenham 220/85 P X
4,521,676 6/1985 Poulsen 220/85 P X

FIG. 1 is a front perspective view of a safety cap for gas cylinders showing my new design;
FIG. 2 is a front elevational view thereof;
FIG. 3 is a side elevational view thereof;
FIG. 4 is a top plan view thereof;
FIG. 5 is a rear elevational view thereof;
FIG. 6 is a bottom plan view thereof; and,
FIG. 7 is a rear perspective view thereof.



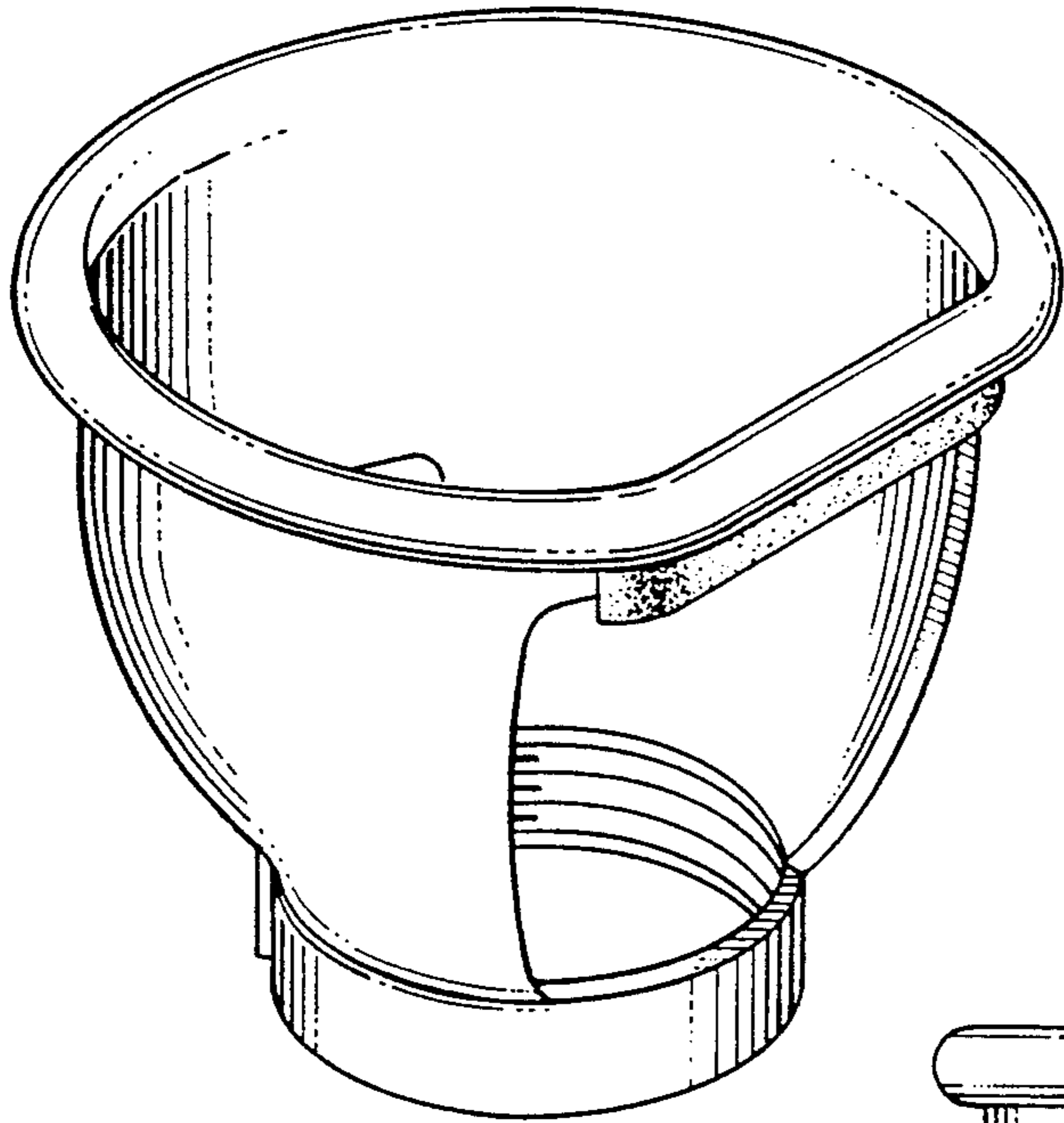


FIG. 1

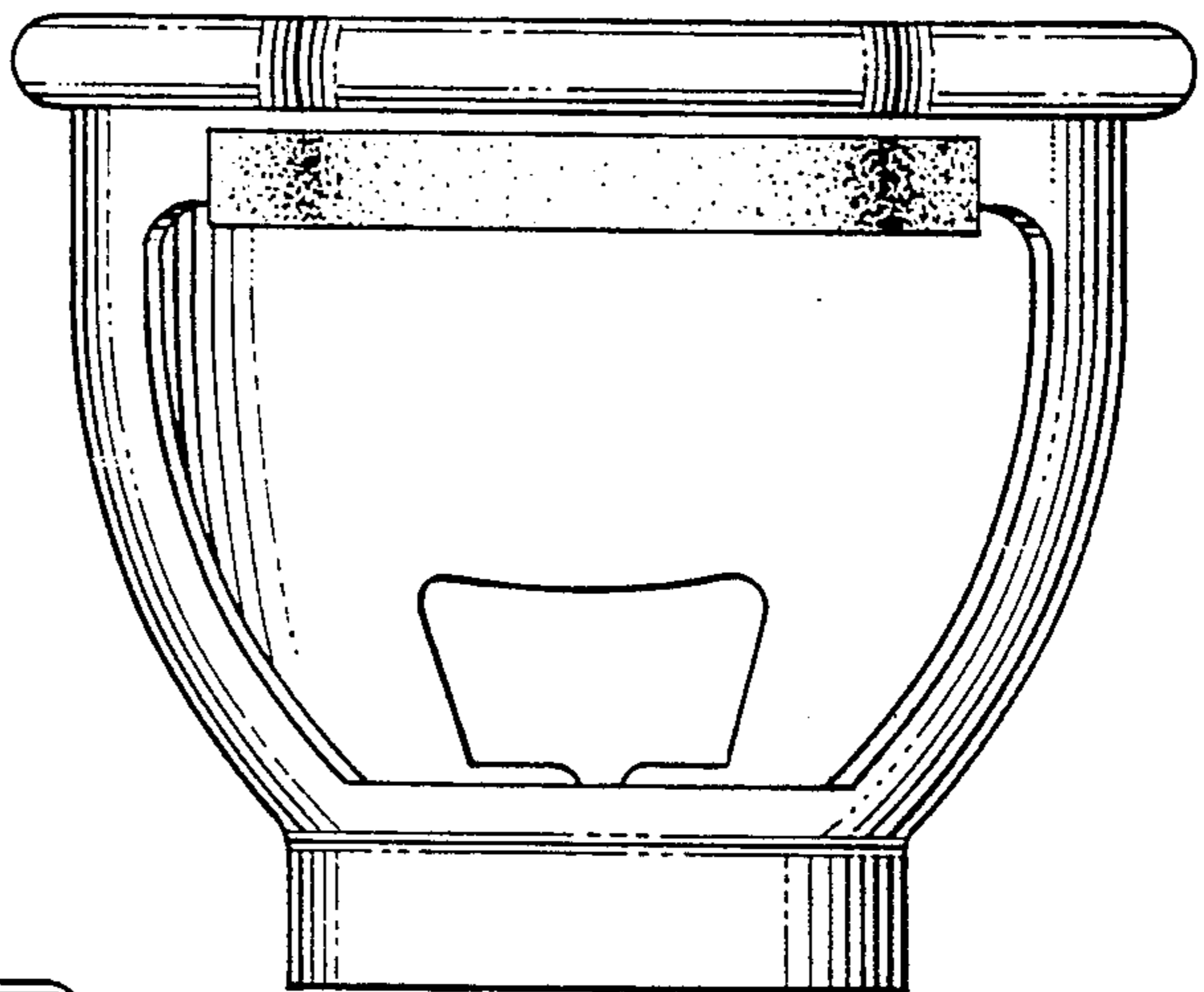


FIG. 2

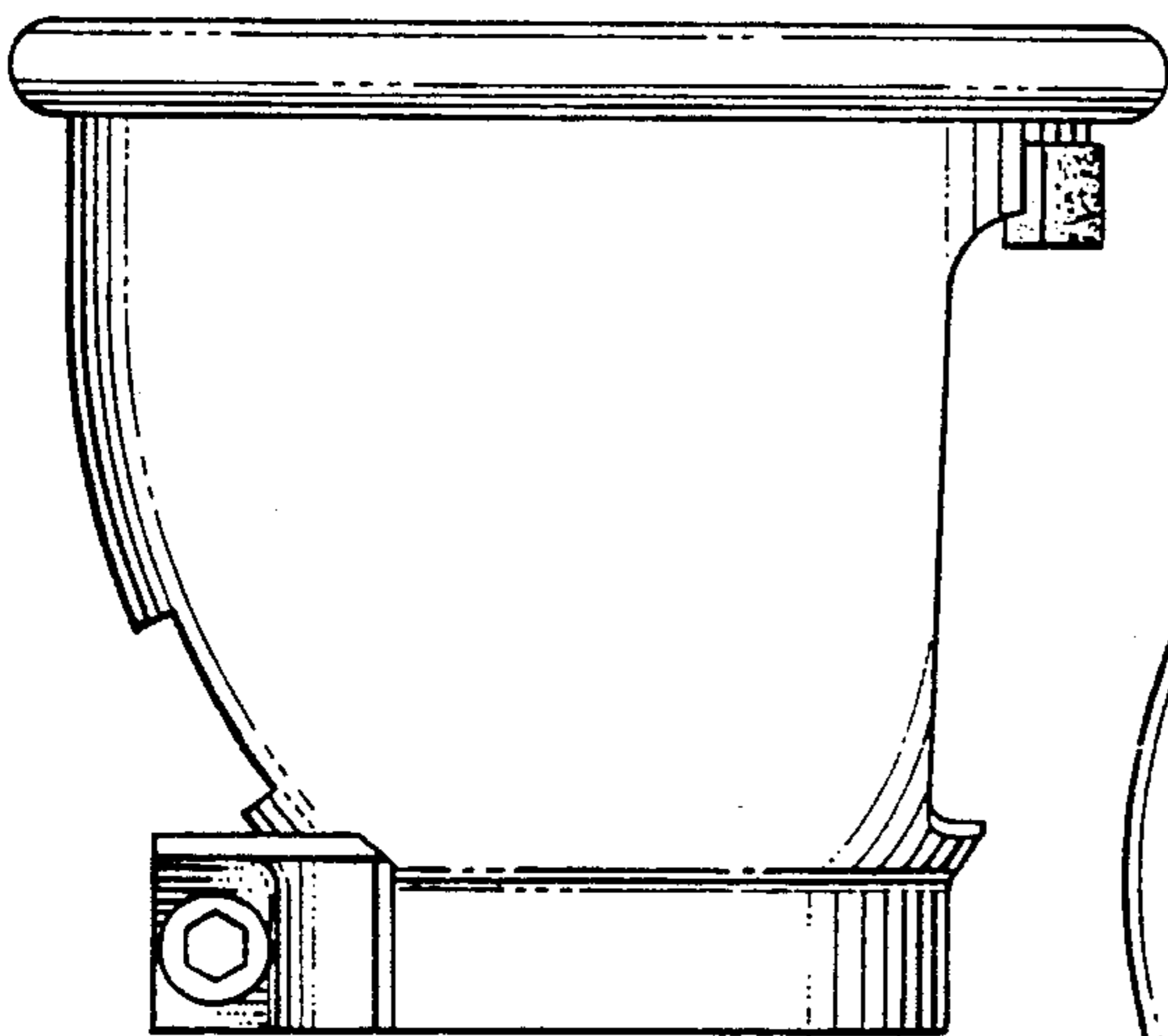


FIG. 3

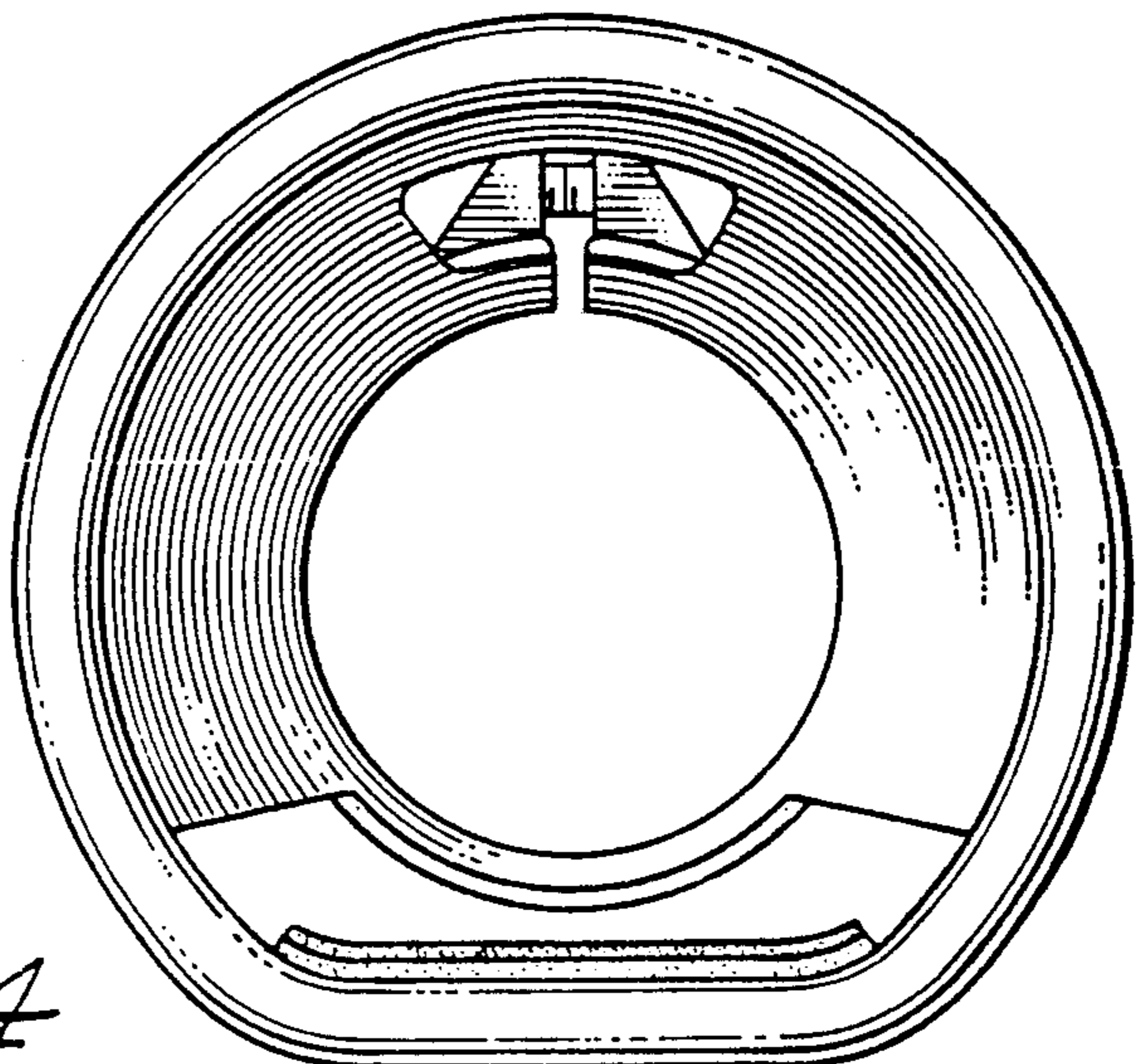


FIG. 4

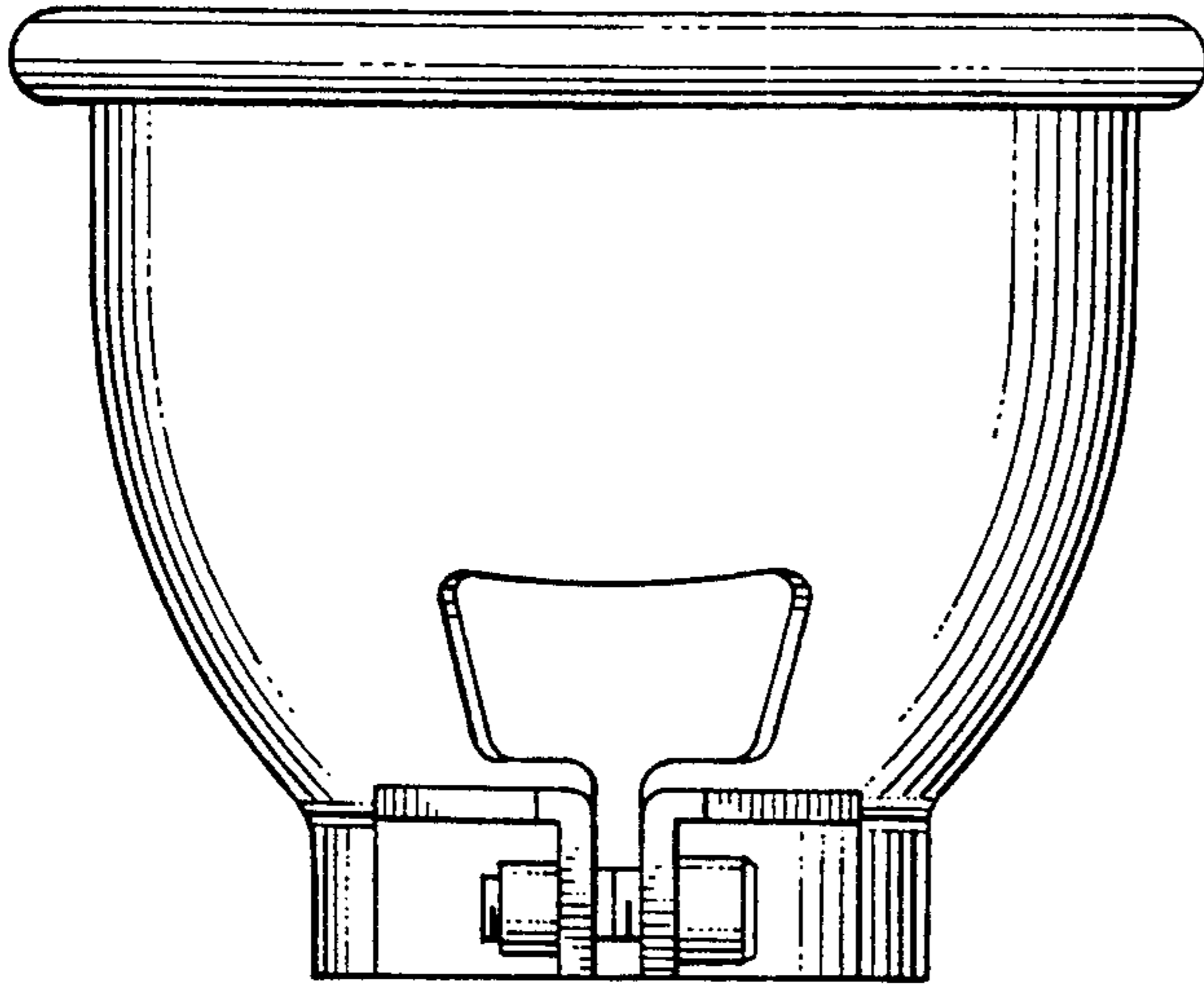


FIG. 5

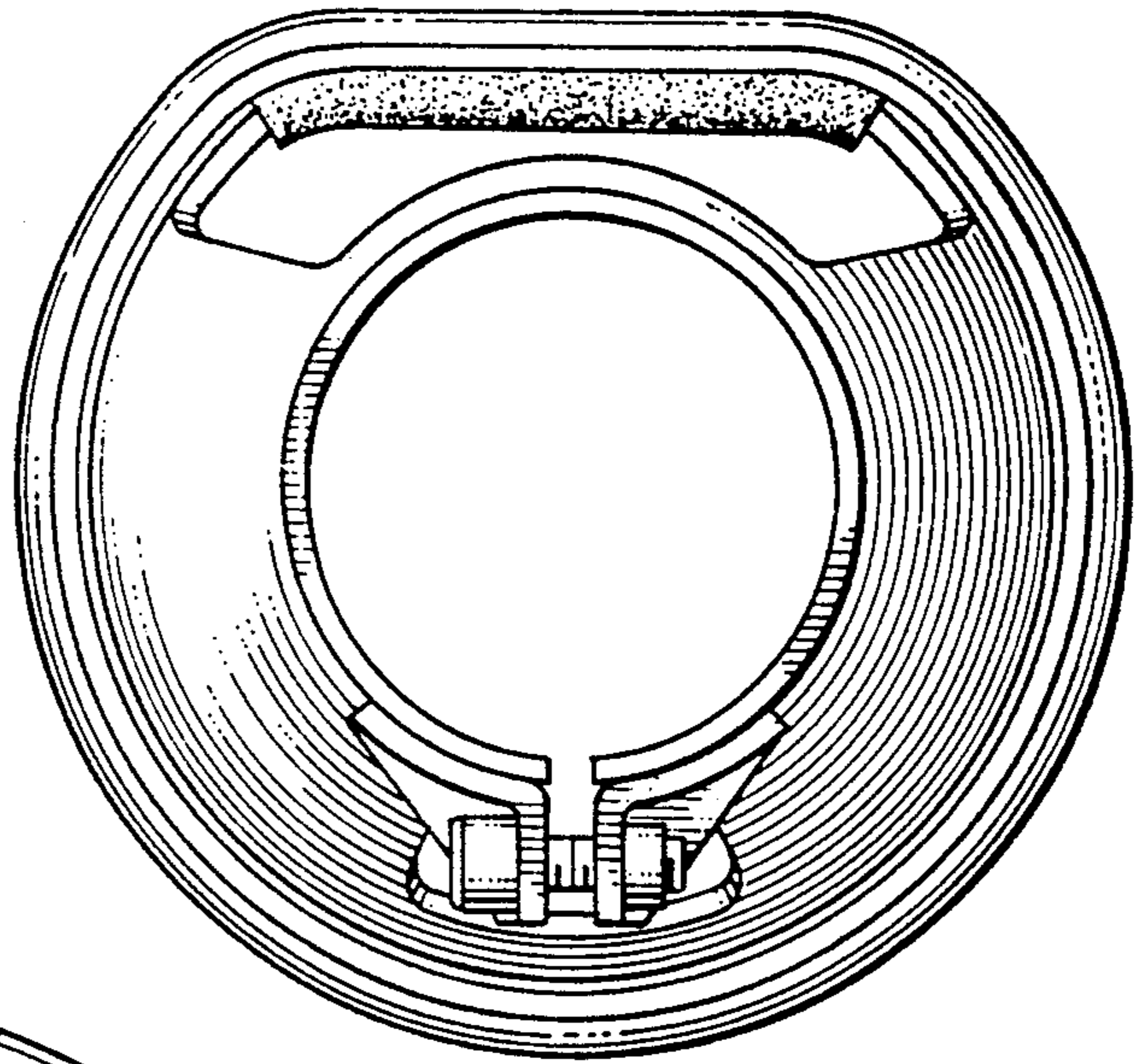


FIG. 6

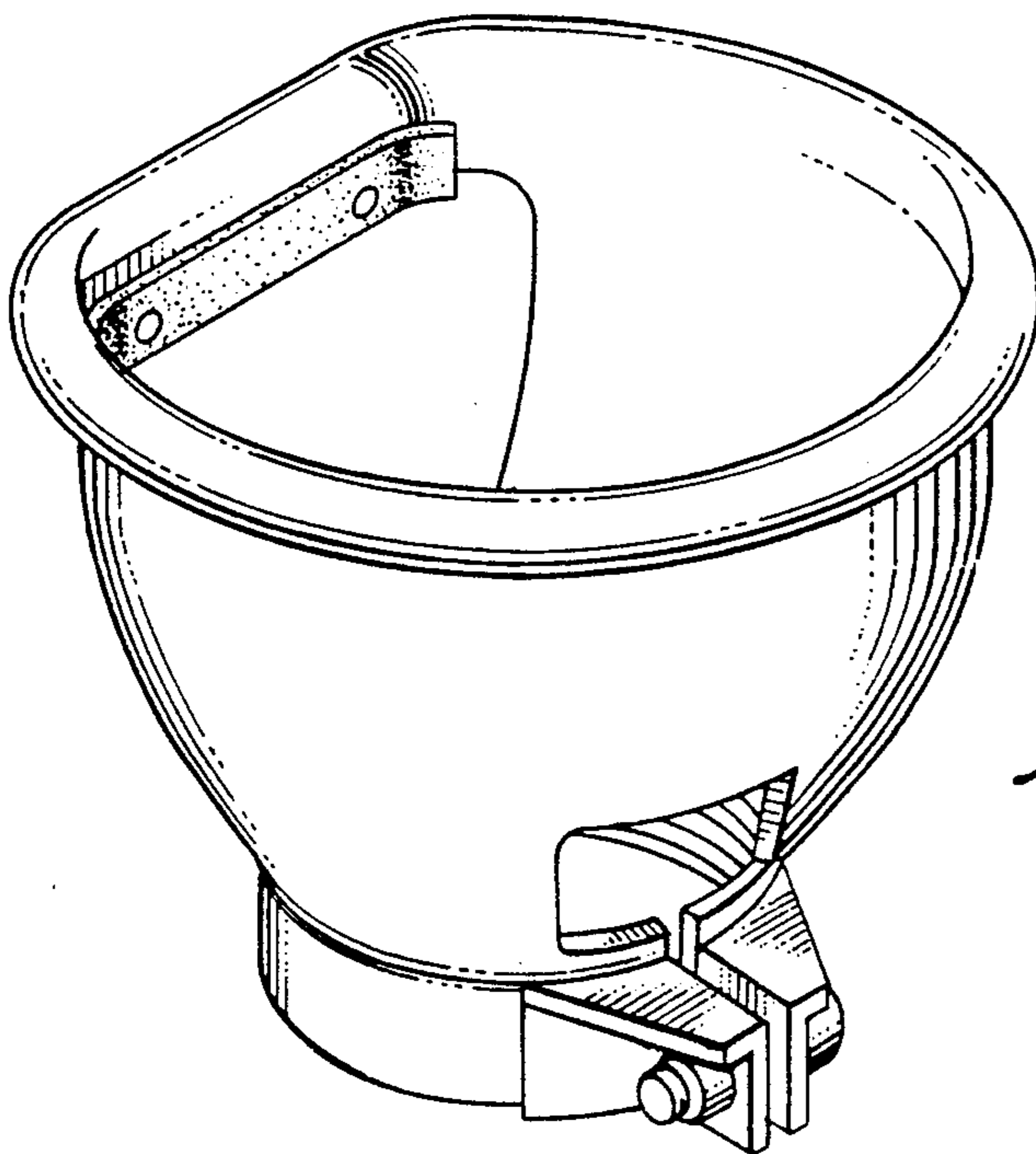


FIG. 7