



US00D334961S

United States Patent [19]

Allen

[11] Patent Number: Des. 334,961

[45] Date of Patent: ** Apr. 20, 1993

[54] BILLIARD CUE AND CHALK ASSEMBLY

[76] Inventor: Larry Allen, 3465 Rebecca La. #B, Colorado Springs, Colo. 80917

[**] Term: 14 Years

[21] Appl. No.: 624,259

[22] Filed: Dec. 7, 1990

[52] U.S. Cl. D21/232

[58] Field of Search D21/232; 273/2, 17, 273/18, 19, 20, 21, 22, 23, 24, 14

974,066	10/1910	Jay	273/19
1,224,944	5/1917	McKinnon	.	
3,323,798	6/1967	Miller	.	
4,290,606	9/1981	Maxwell	273/2 X
5,046,728	9/1991	Haddock	273/18

Primary Examiner—Bernard Ansher
Assistant Examiner—Prabhakar Deshmukh
Attorney, Agent, or Firm—Terry M. Gernstein

[57] CLAIM

The ornamental design for a billiard cue and chalk assembly, as shown and described.

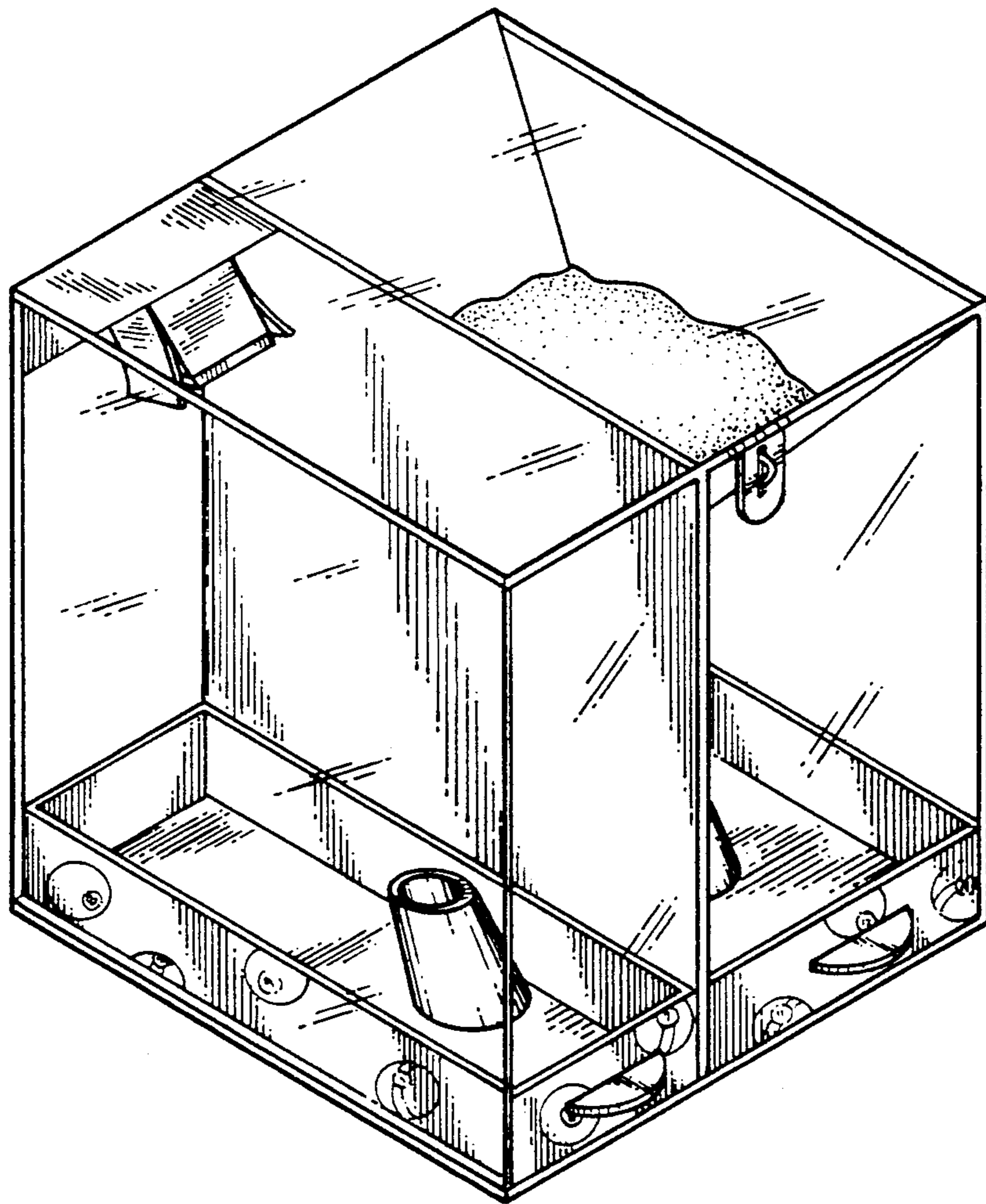
DESCRIPTION

FIG. 1 is a perspective view of a billiard cue and chalk assembly showing my new design; FIG. 2 is a front elevational view thereof; FIG. 3 is a rear elevational view thereof; FIG. 4 is a right side elevational view thereof; FIG. 5 is a left side elevational view thereof; FIG. 6 is a top plan view thereof; and, FIG. 7 is a bottom plan view thereof.

[56] References Cited

U.S. PATENT DOCUMENTS

D. 273,315	4/1984	Matteson	D21/232
D. 288,452	2/1987	Takizawa	D21/12
D. 317,718	6/1991	Carol	D9/432 X
334,099	1/1886	Zaehringer	.	
601,779	4/1898	Roberts	273/18
605,683	4/1898	Sieverling	273/21
965,444	7/1910	Dahl	273/18



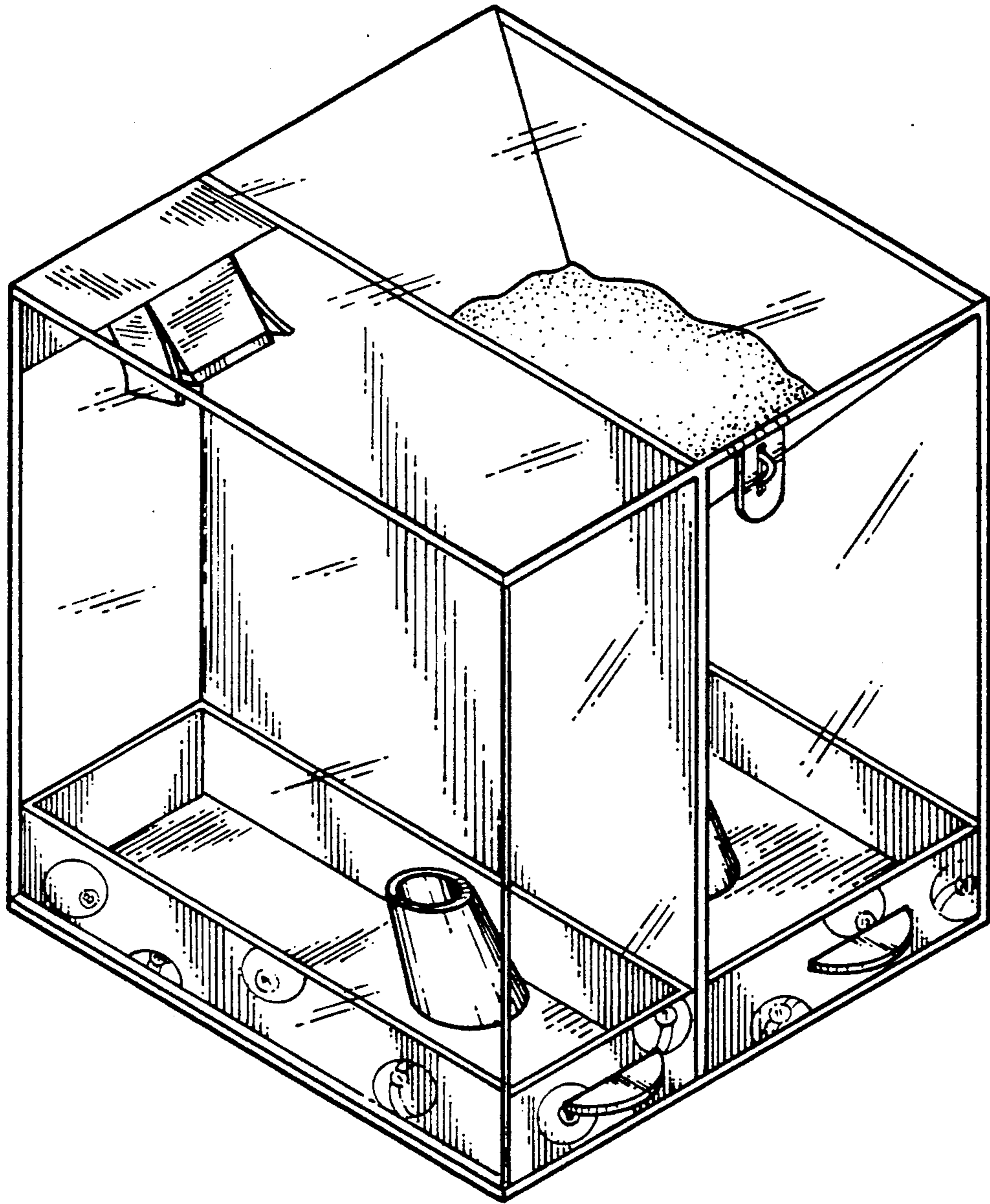


FIG. 1

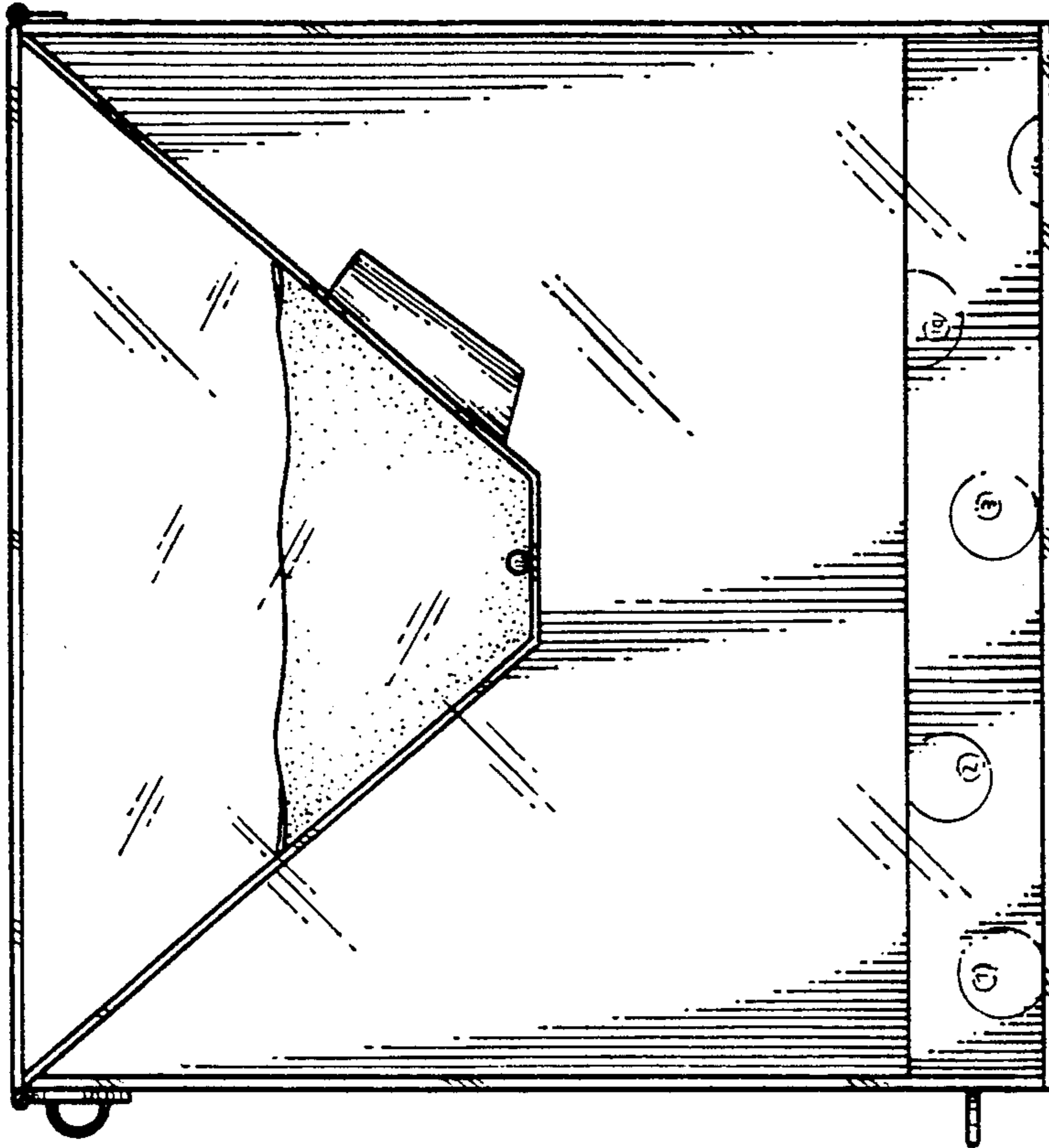


FIG. 4

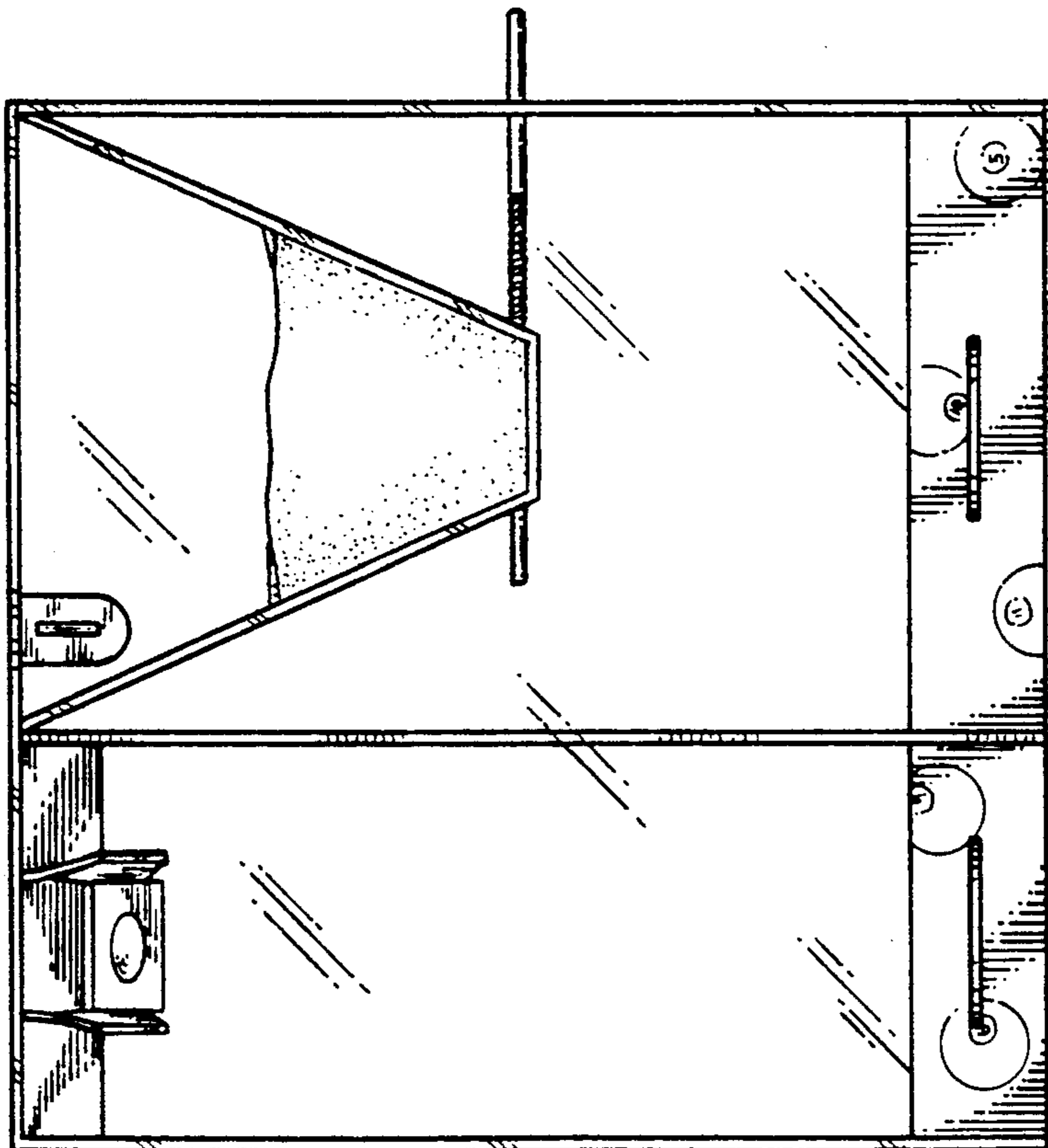


FIG. 2

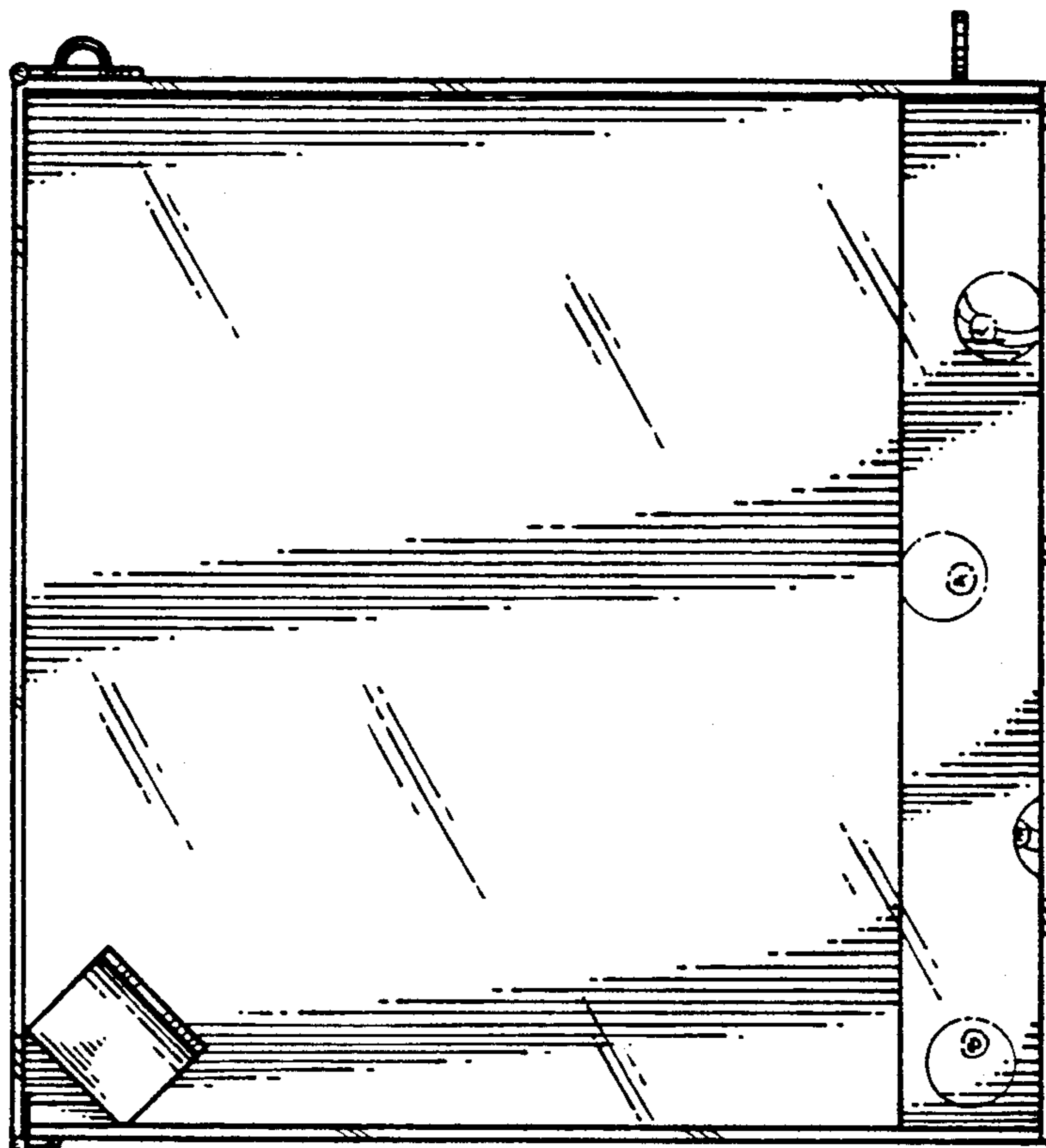


FIG. 5

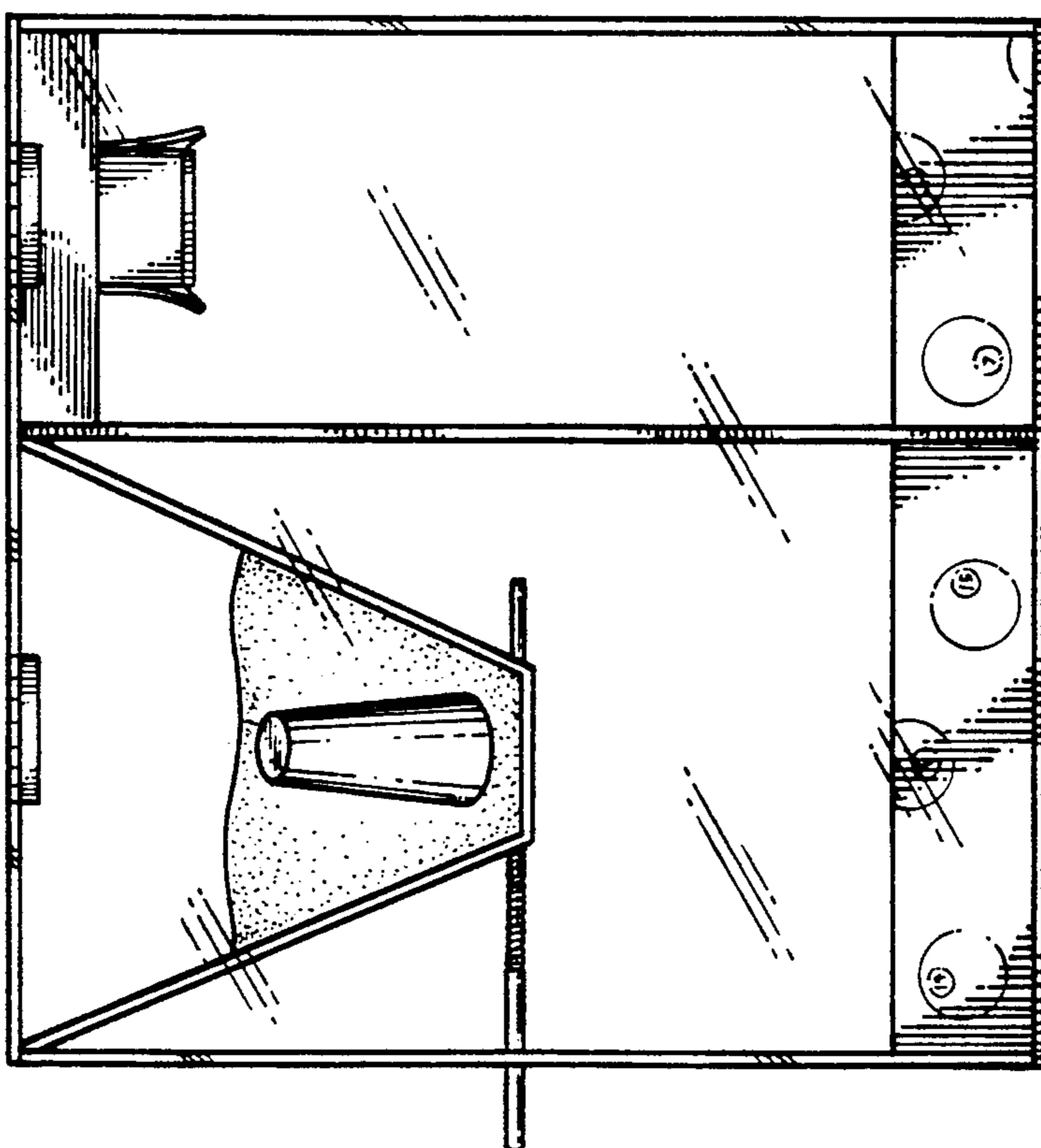


FIG. 3

FIG. 7

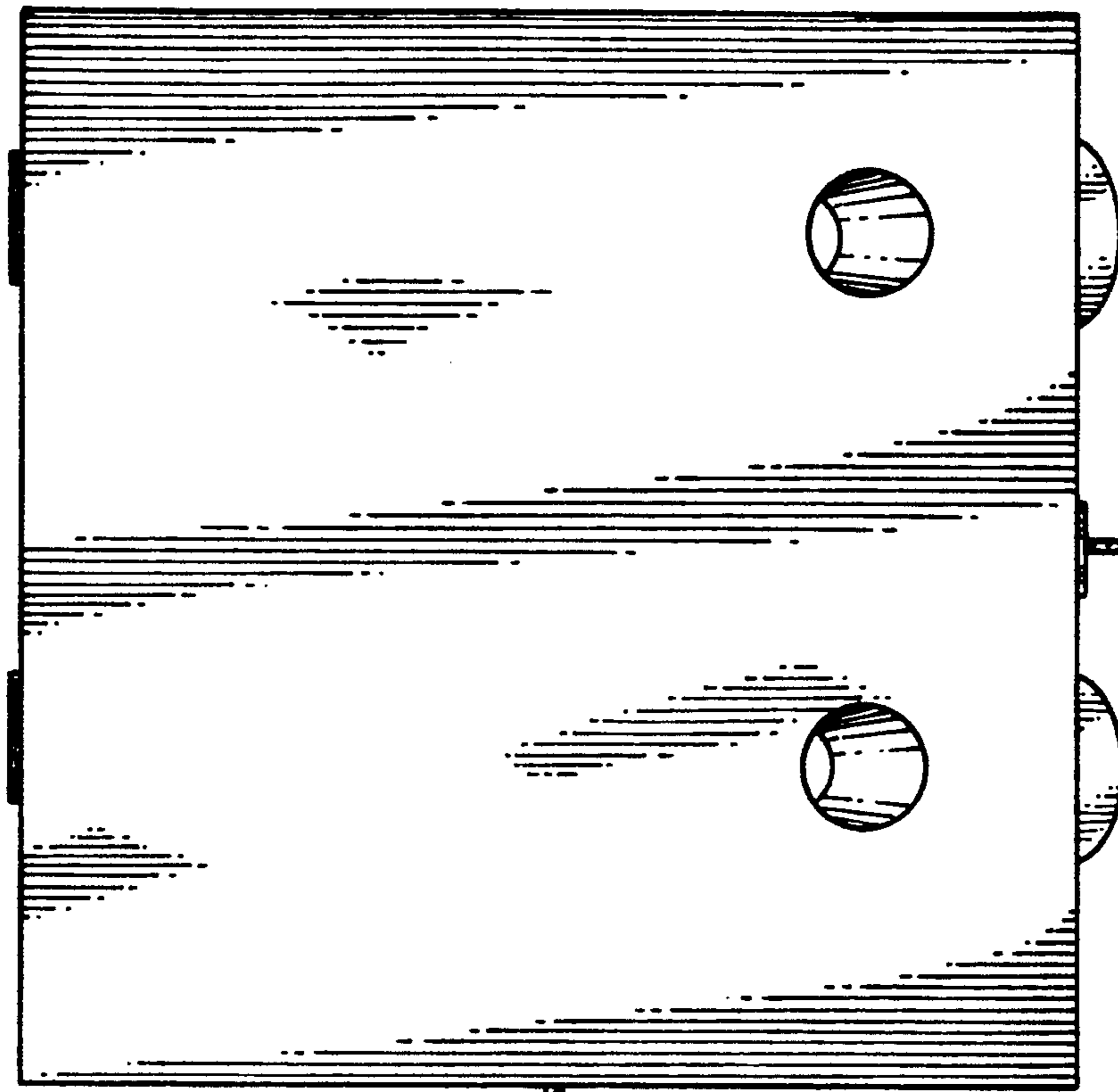


FIG. 6

