



US00D334952S

# United States Patent [19]

[11] Patent Number: **Des. 334,952**

Davis et al.

[45] Date of Patent: **\*\* Apr. 20, 1993**

[54] WIRE PUZZLE

D. 258,601 3/1981 Smallwood, Jr. .... D21/106

[76] Inventors: **Tom Davis, 4338 Central Ave.; Scott Carver, 4334 Central Ave., both of San Diego, Calif. 92105**

D. 304,045 10/1989 Hasegawa .... D21/106

1,726,952 3/1929 Gonzales .... 273/158

4,867,456 9/1989 Weber et al. .... 273/158

[\*\*] Term: **14 Years**

*Primary Examiner*—Bernard Ansher

*Assistant Examiner*—Dominic Simone

*Attorney, Agent, or Firm*—Charles C. Logan, II

[21] Appl. No.: **658,561**

### [57] CLAIM

[22] Filed: **Feb. 21, 1991**

The ornamental design for a wire puzzle, as shown and described.

[52] U.S. Cl. .... **D21/106**

[58] Field of Search .... D21/104-107;  
273/153 R, 154, 156, 157 R, 158; 428/33

### DESCRIPTION

#### [56] References Cited

##### U.S. PATENT DOCUMENTS

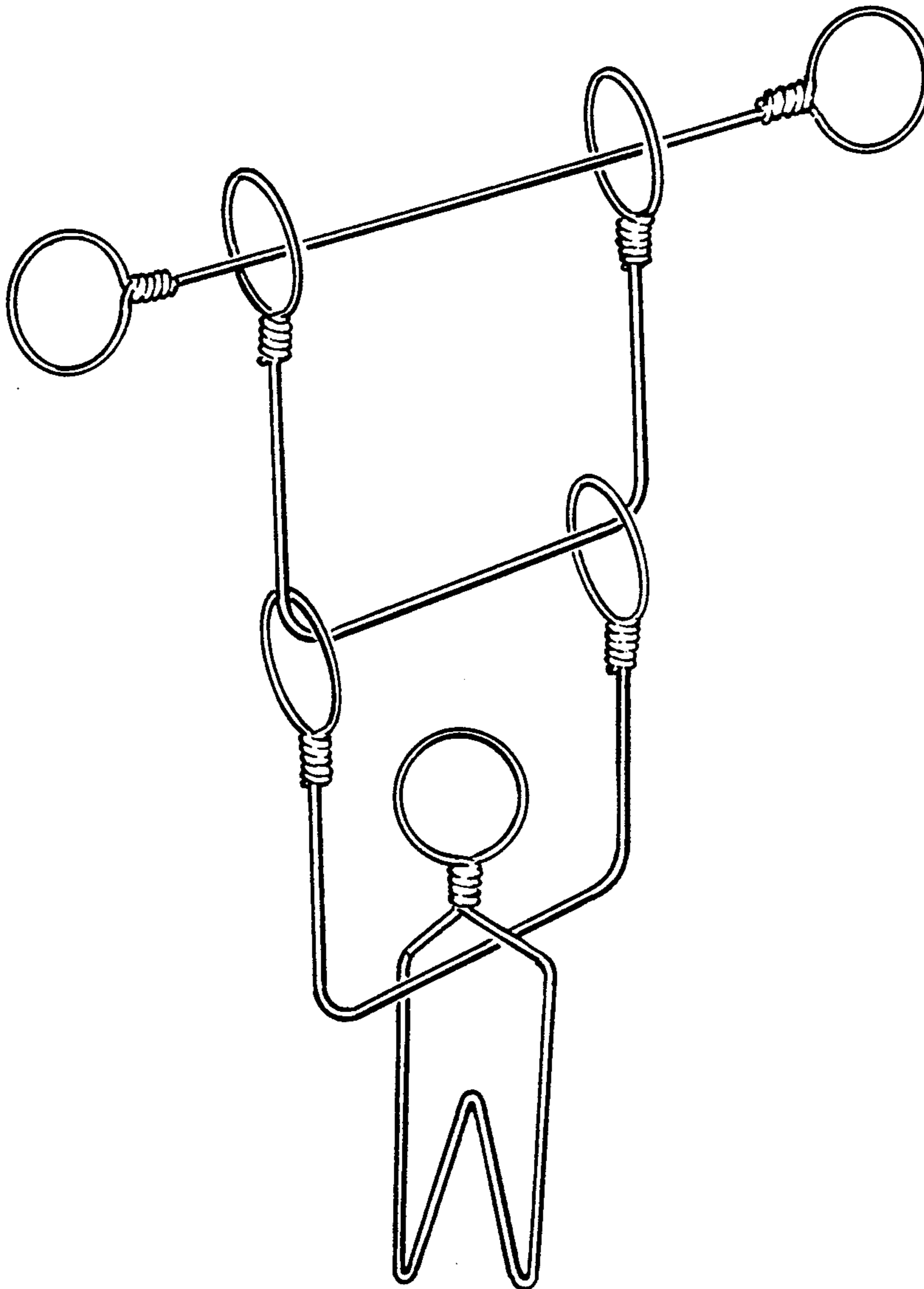
D. 246,922 1/1978 Heign .... D21/106

D. 253,902 1/1980 Schoentog .... D21/106

FIG. 1 is a front perspective view of a wire puzzle showing our new design;

FIG. 2 is a left side elevational view thereof, the side opposite being a mirror image; and,

FIG. 3 is a top plan view thereof.



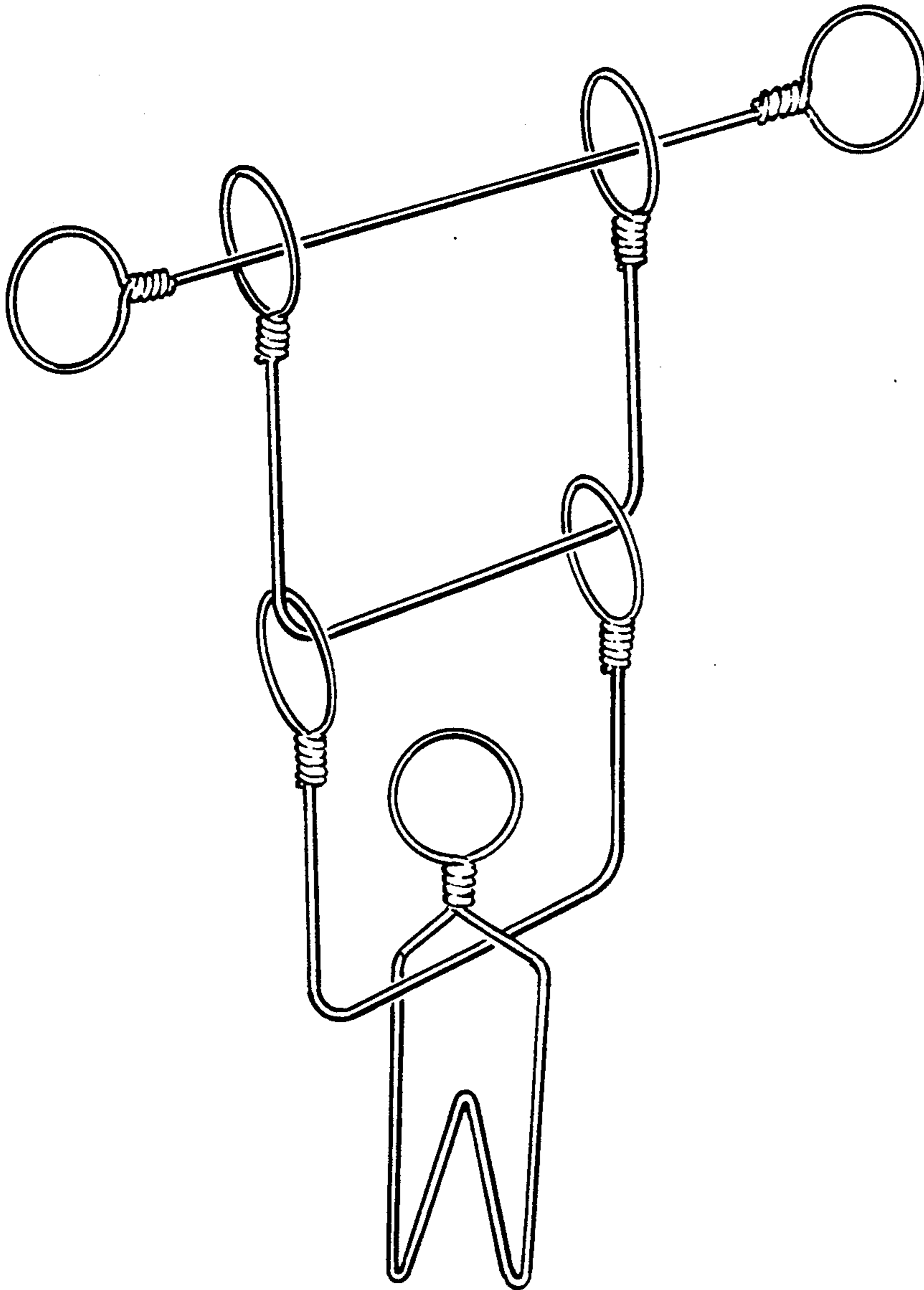


FIGURE 1

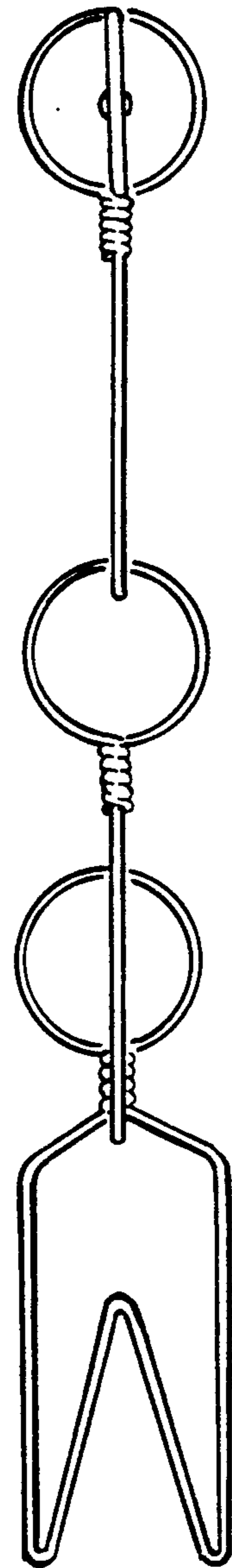


FIGURE 2

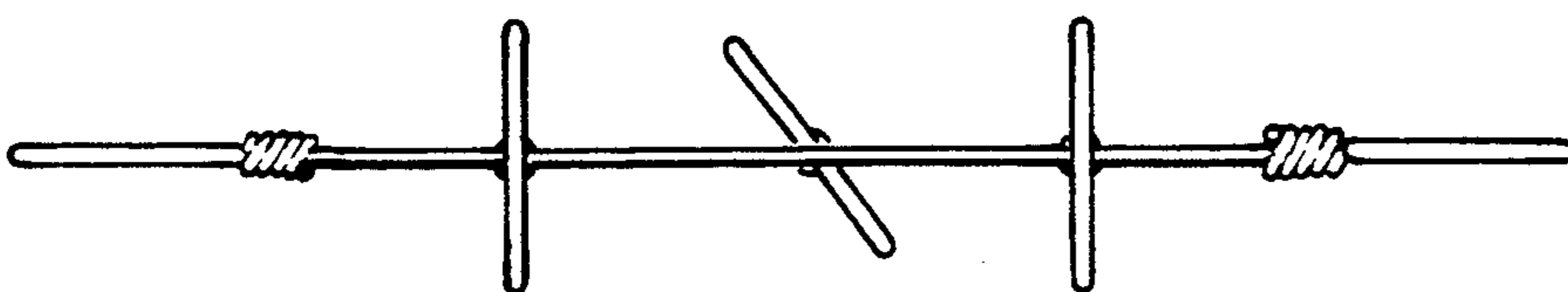


FIGURE 3