



US00D334949S

United States Patent [19]

[11] Patent Number: **Des. 334,949**

Evenson

[45] Date of Patent: **** Apr. 20, 1993**

[54] **WALL-MOUNTABLE PENCIL CUP**

D. 327,093 6/1992 Evenson D19/85

[75] Inventor: **Mel Evenson, San Pedro, Calif.**

Primary Examiner—Nelson C. Holtje
Assistant Examiner—Martha Thompson
Attorney, Agent, or Firm—Richard B. O'Planick

[73] Assignee: **Rubbermaid Office Products Group, Inc., Maryville, Tenn.**

[**] Term: **14 Years**

[57] **CLAIM**

[21] Appl. No.: **806,454**

The ornamental design for a wall-mountable pencil cup, as shown and described.

[22] Filed: **Dec. 13, 1991**

DESCRIPTION

[52] U.S. Cl. **D19/85; D19/77; D19/81; D7/532**

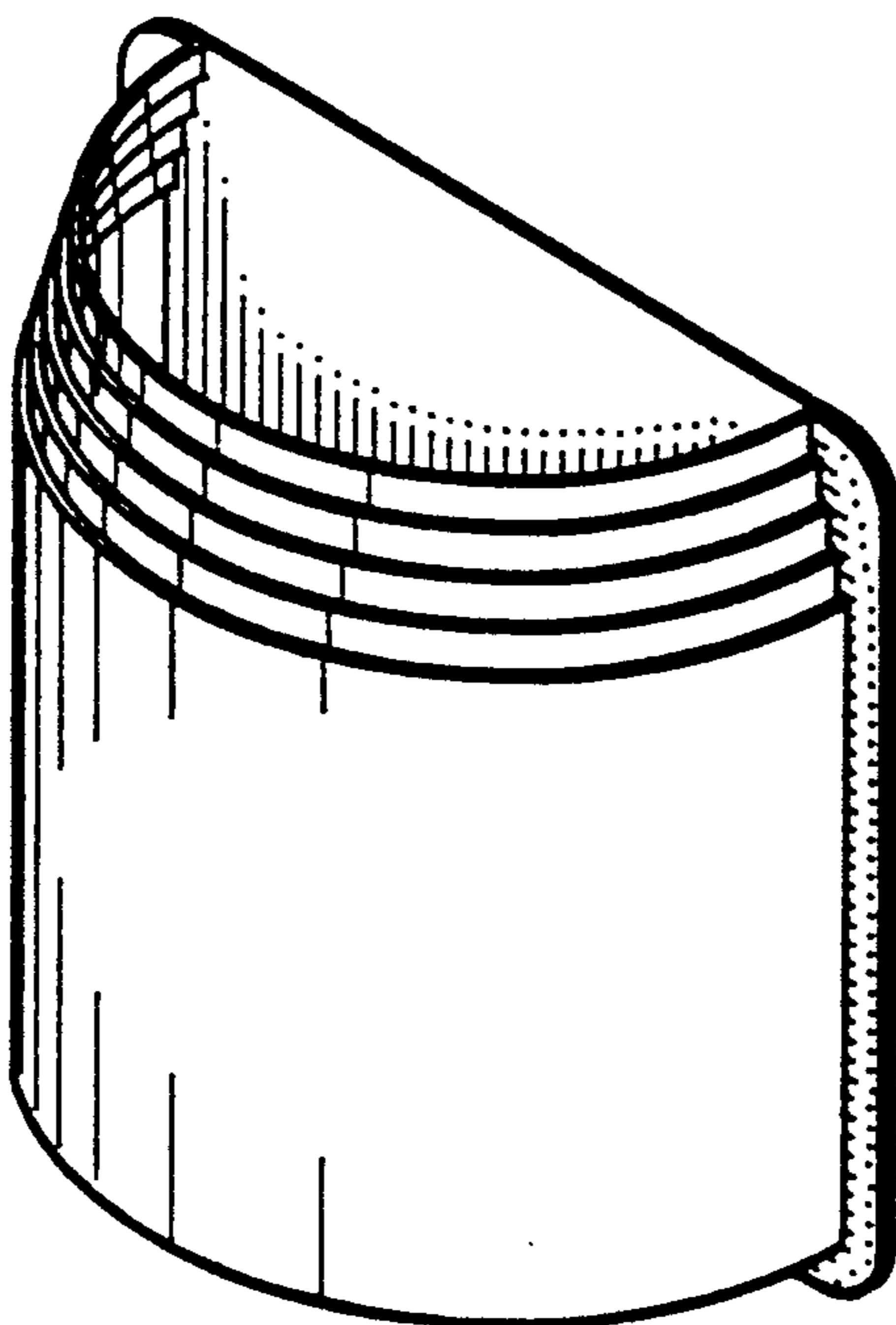
[58] Field of Search **D19/35, 36, 65, 75, D19/77, 78, 81-85, 95, 99, 100; D7/507, 532; D9/502; D34/39; 206/214, 224, 371; 211/69.1-69.9**

FIG. 1 is a top plan view of a wall-mountable pencil cup showing my new design;
FIG. 2 is a bottom plan view;
FIG. 3 is a front elevational view;
FIG. 4 is a rear elevational view;
FIG. 5 is a right side elevational view, the left side being a mirror image thereof;
FIG. 6 is a top, right front perspective view thereof;
FIG. 7 is a top plan view of a second embodiment of my new design;
FIG. 8 is a bottom plan view of FIG. 7;
FIG. 9 is a front elevational view of FIG. 7;
FIG. 10 is a rear elevational view of FIG. 7;
FIG. 11 is a right side elevational view of FIG. 7, the left side being a mirror image thereof; and,
FIG. 12 is a top, right front perspective view of FIG. 7.

[56] **References Cited**

U.S. PATENT DOCUMENTS

D. 87,712	9/1932	Conner	D9/502
D. 103,823	3/1937	Lowenstein	D9/502
D. 118,410	1/1940	Dolgorukov	D19/77 X
D. 118,411	1/1940	Dolgorukov	D19/77
D. 217,040	3/1970	Smith	D19/85 X
D. 264,224	5/1982	Henkels	D19/85 X
D. 308,076	5/1990	Gecchelin	D19/75 X
D. 323,853	2/1992	Evenson	D19/75 X



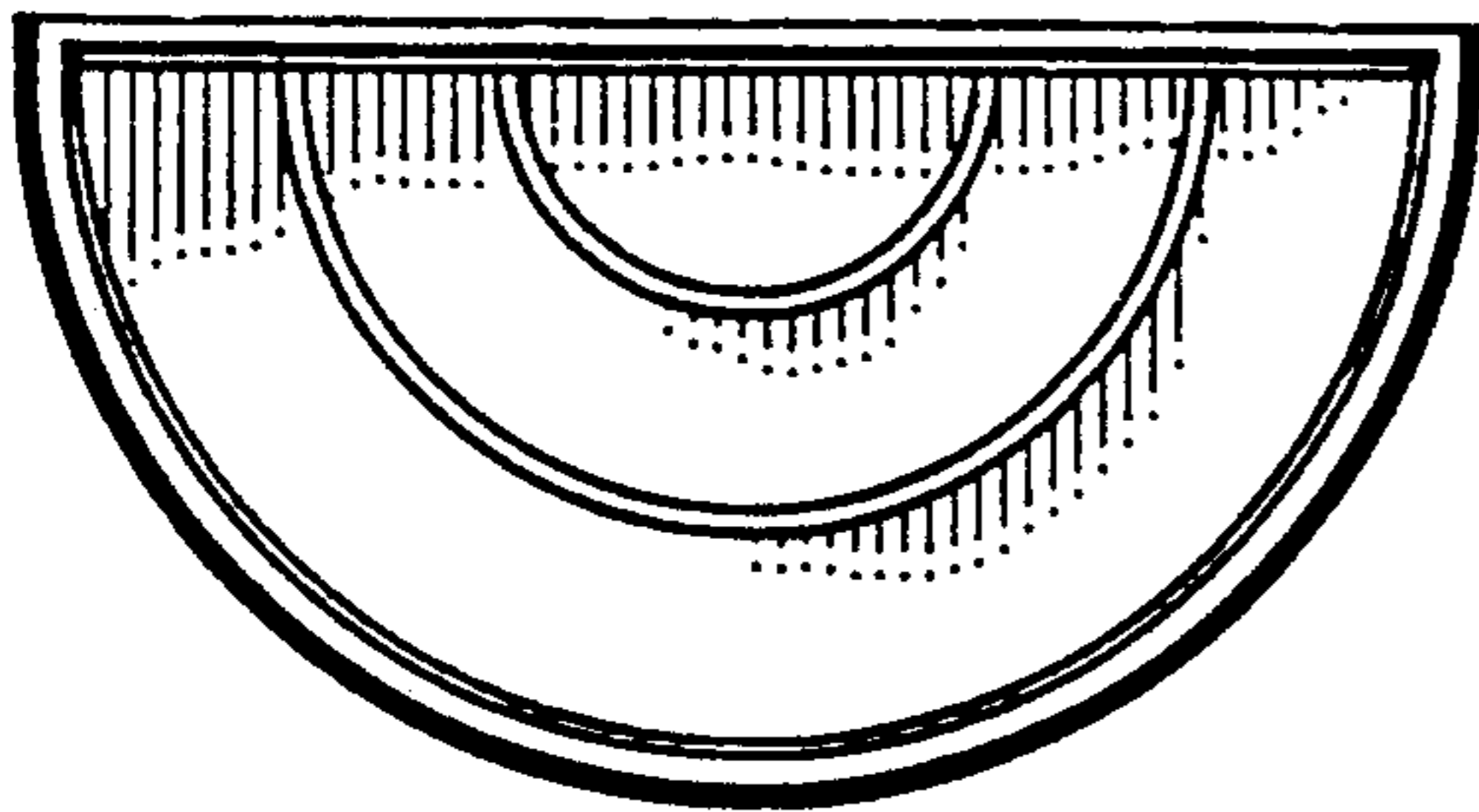


FIG. 1

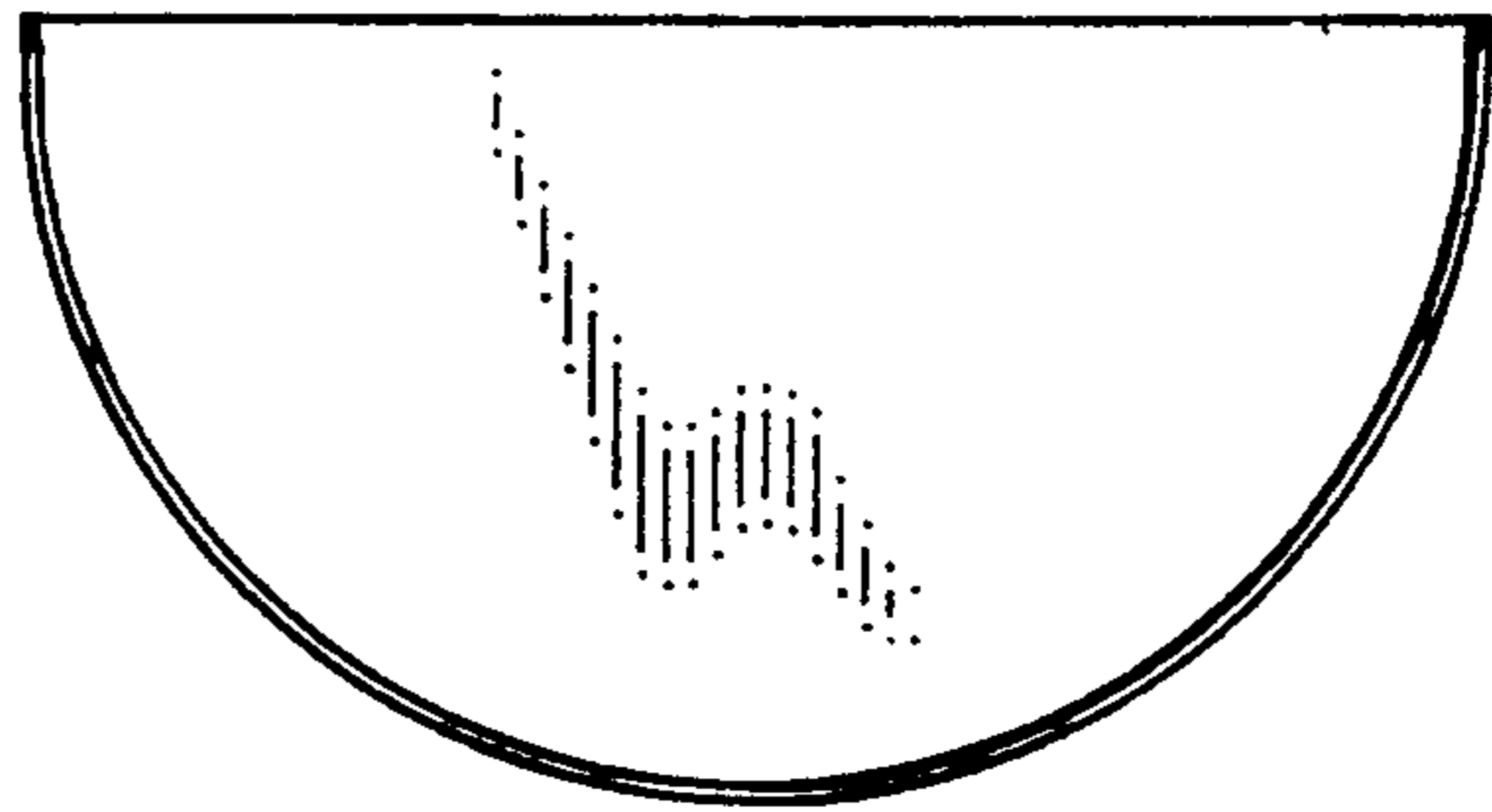


FIG. 2

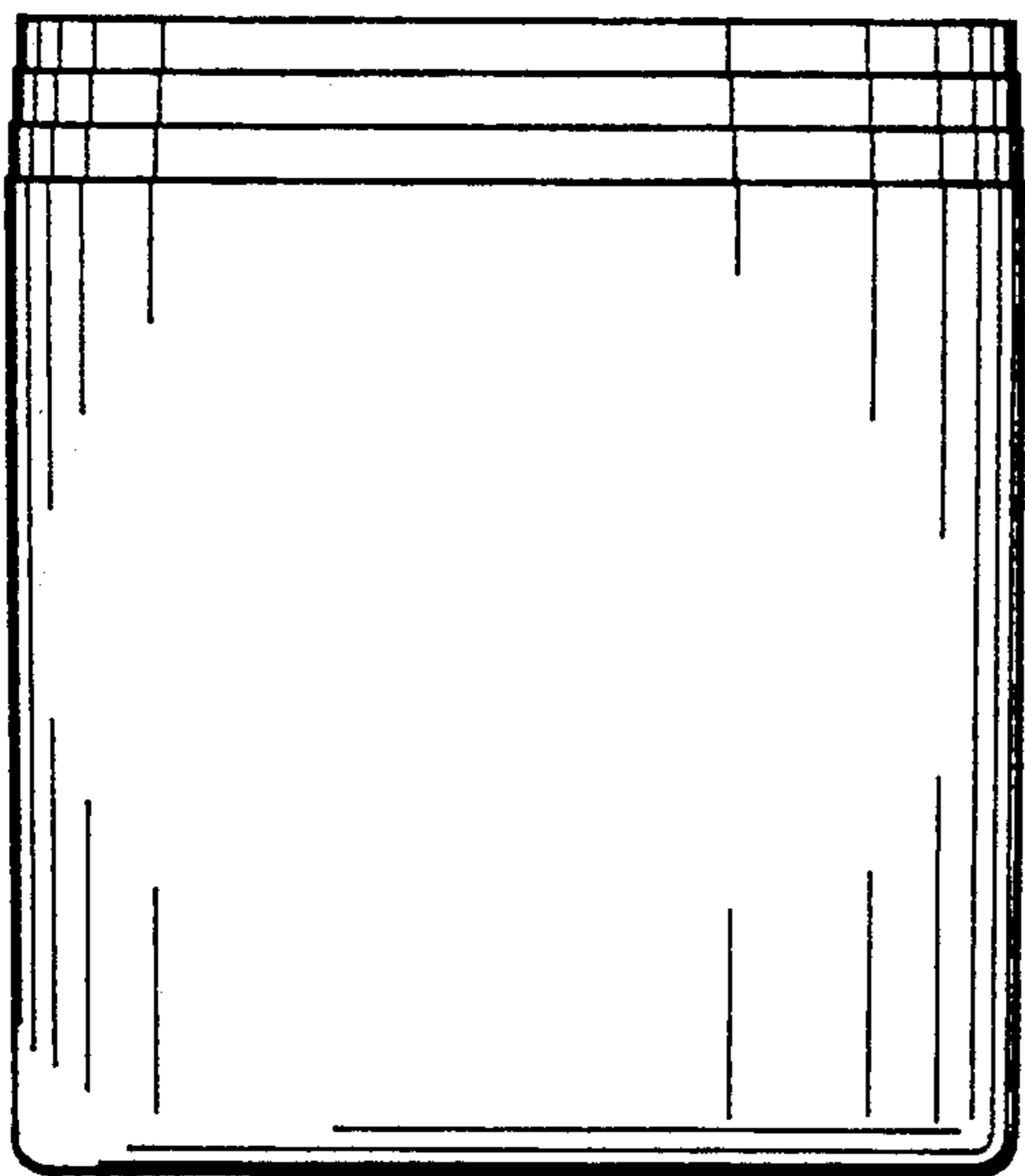


FIG. 3

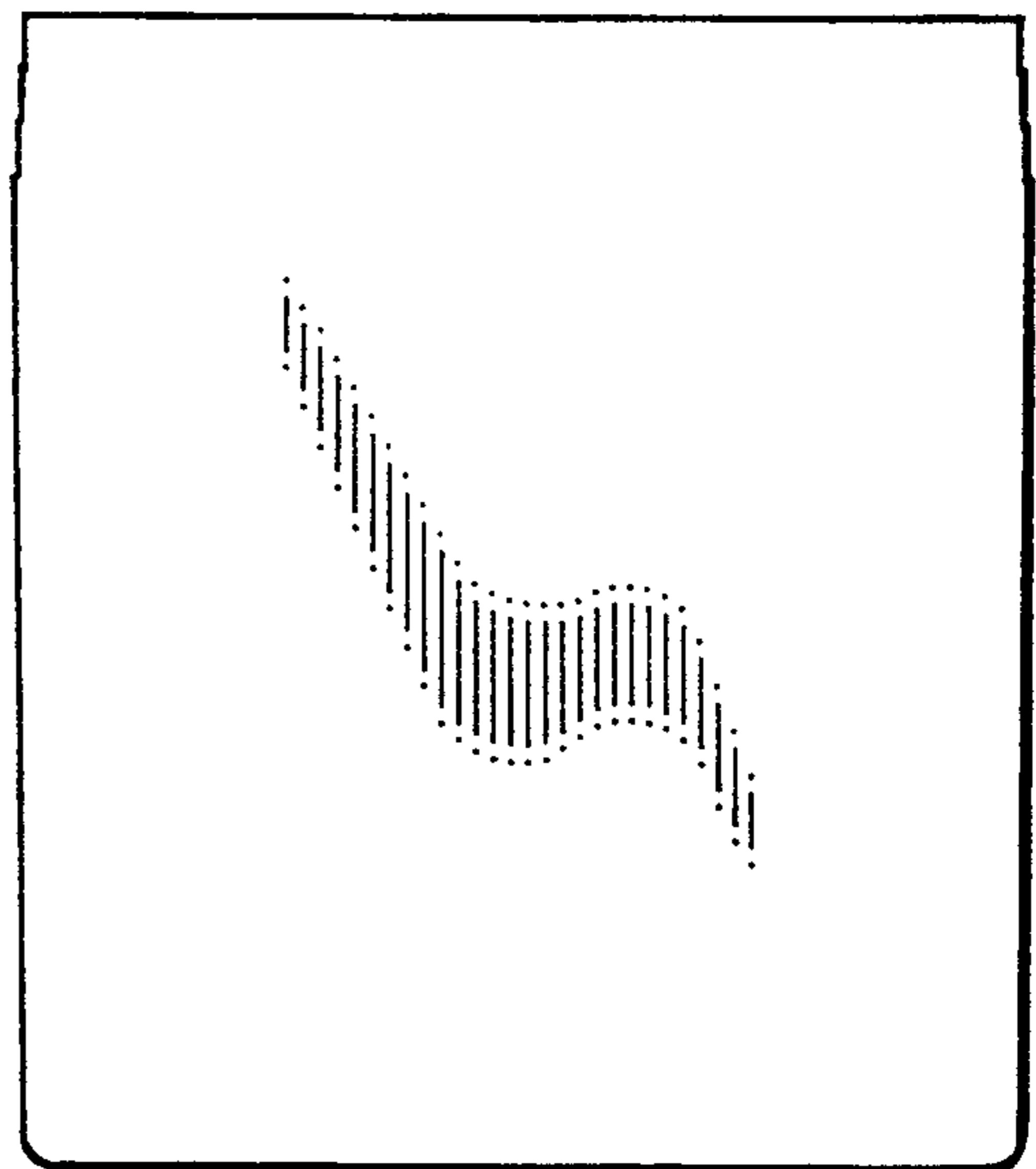


FIG. 4

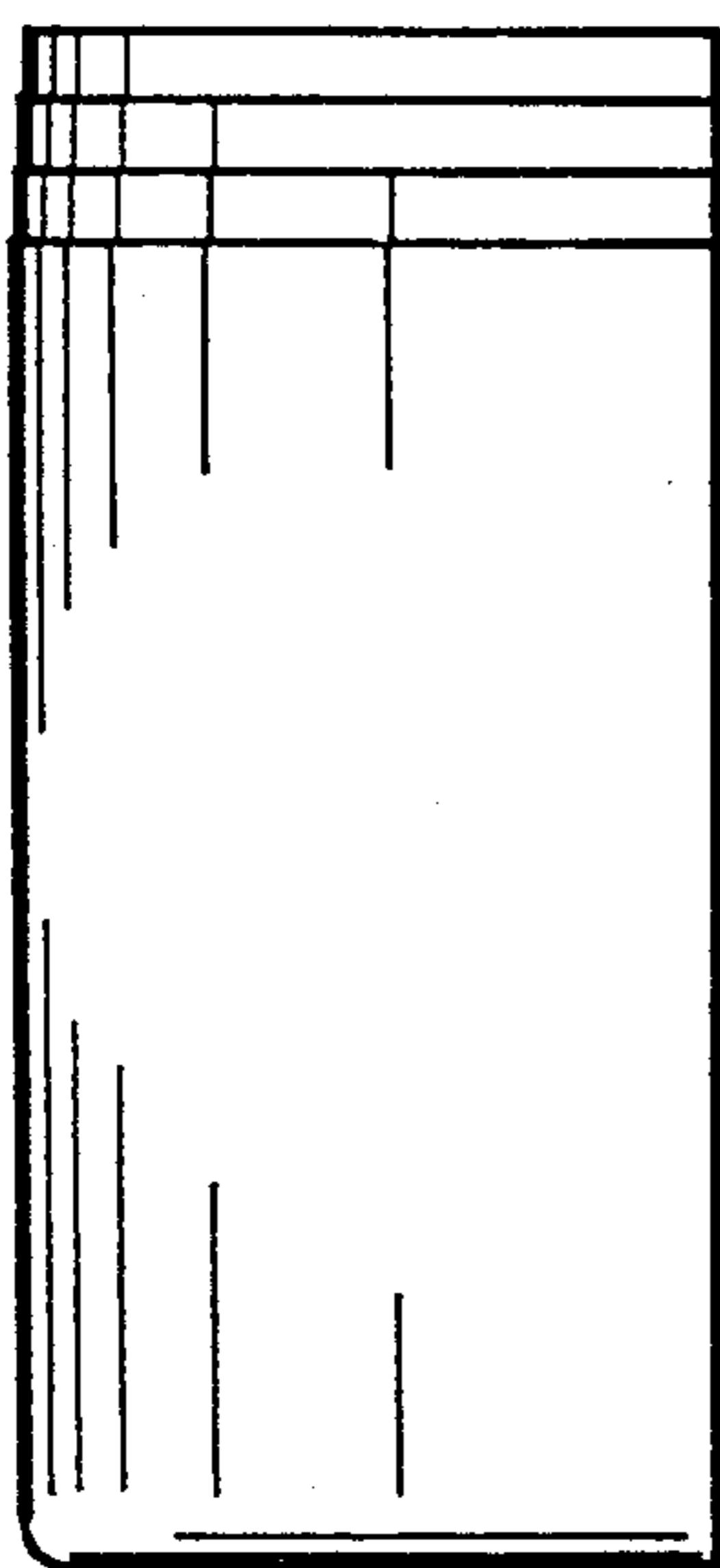


FIG. 5

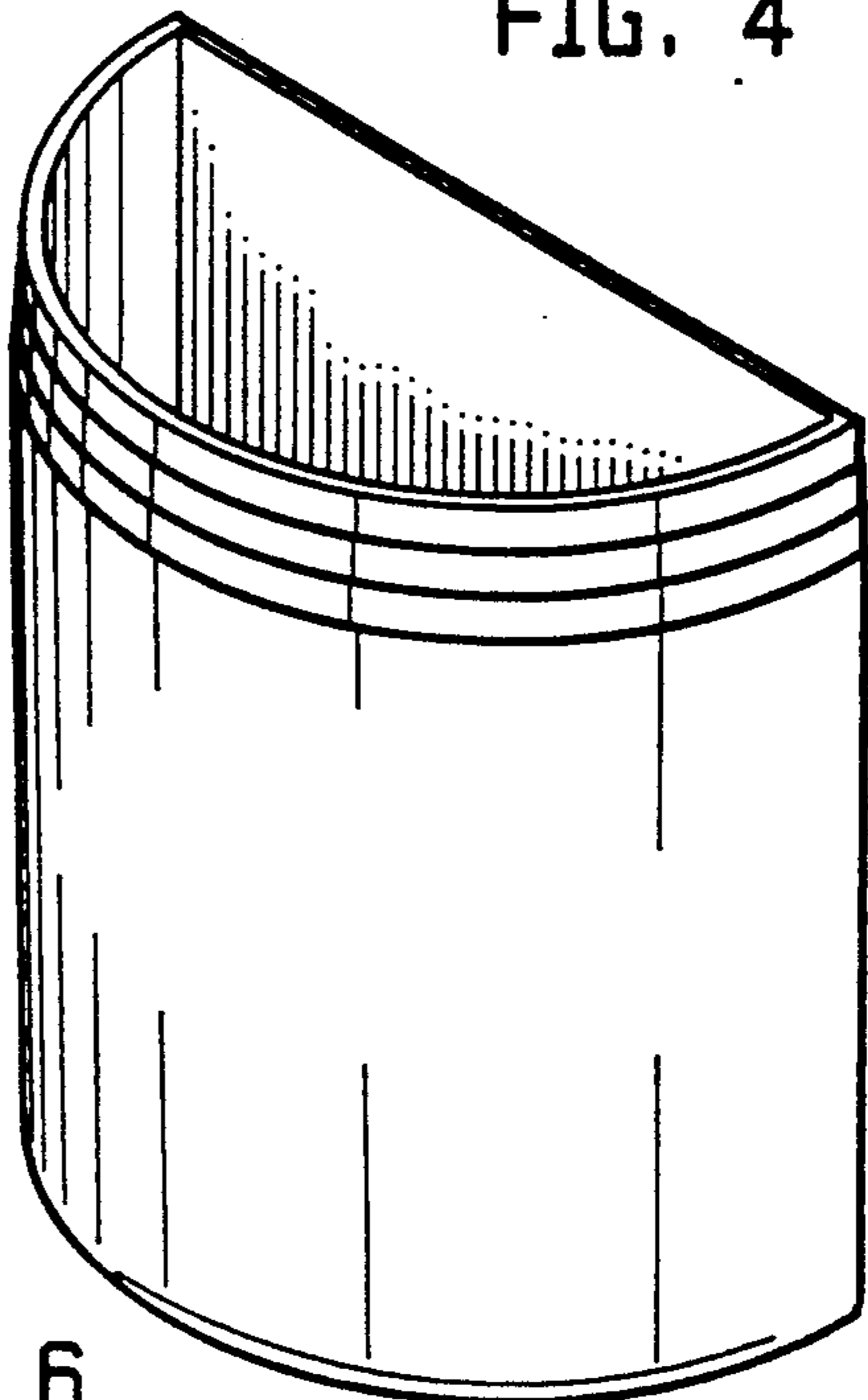


FIG. 6

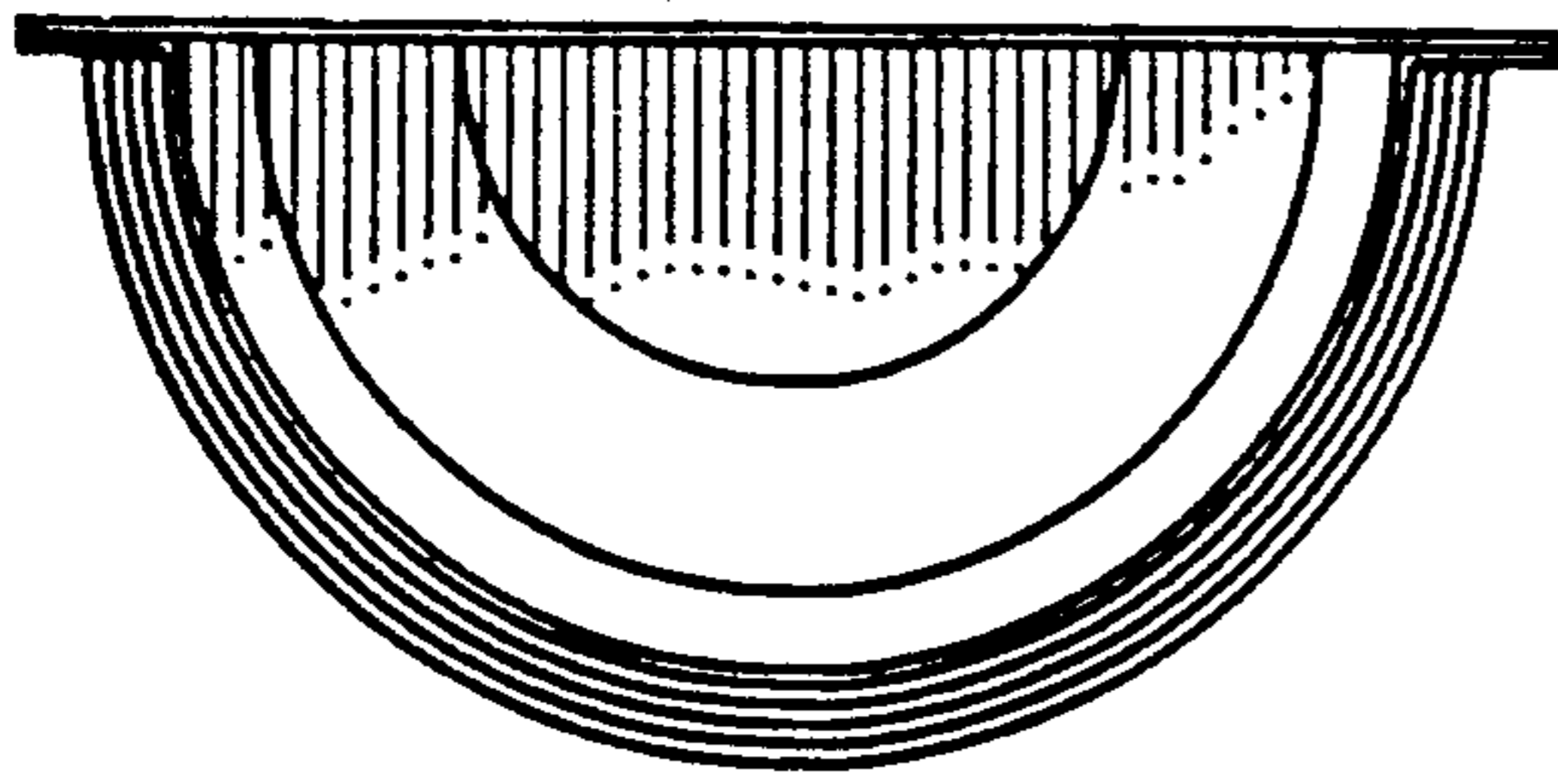


FIG. 7

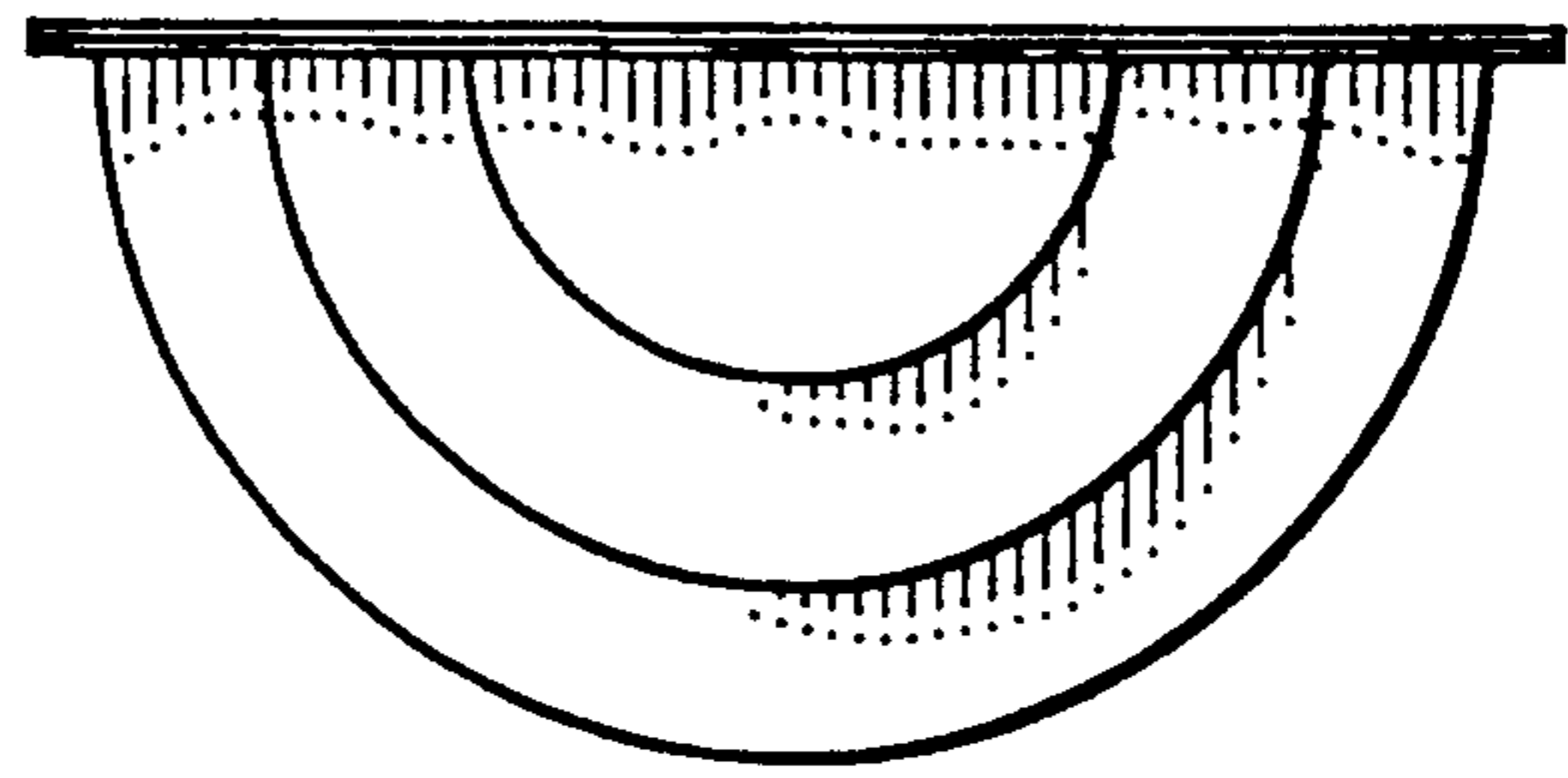


FIG. 8

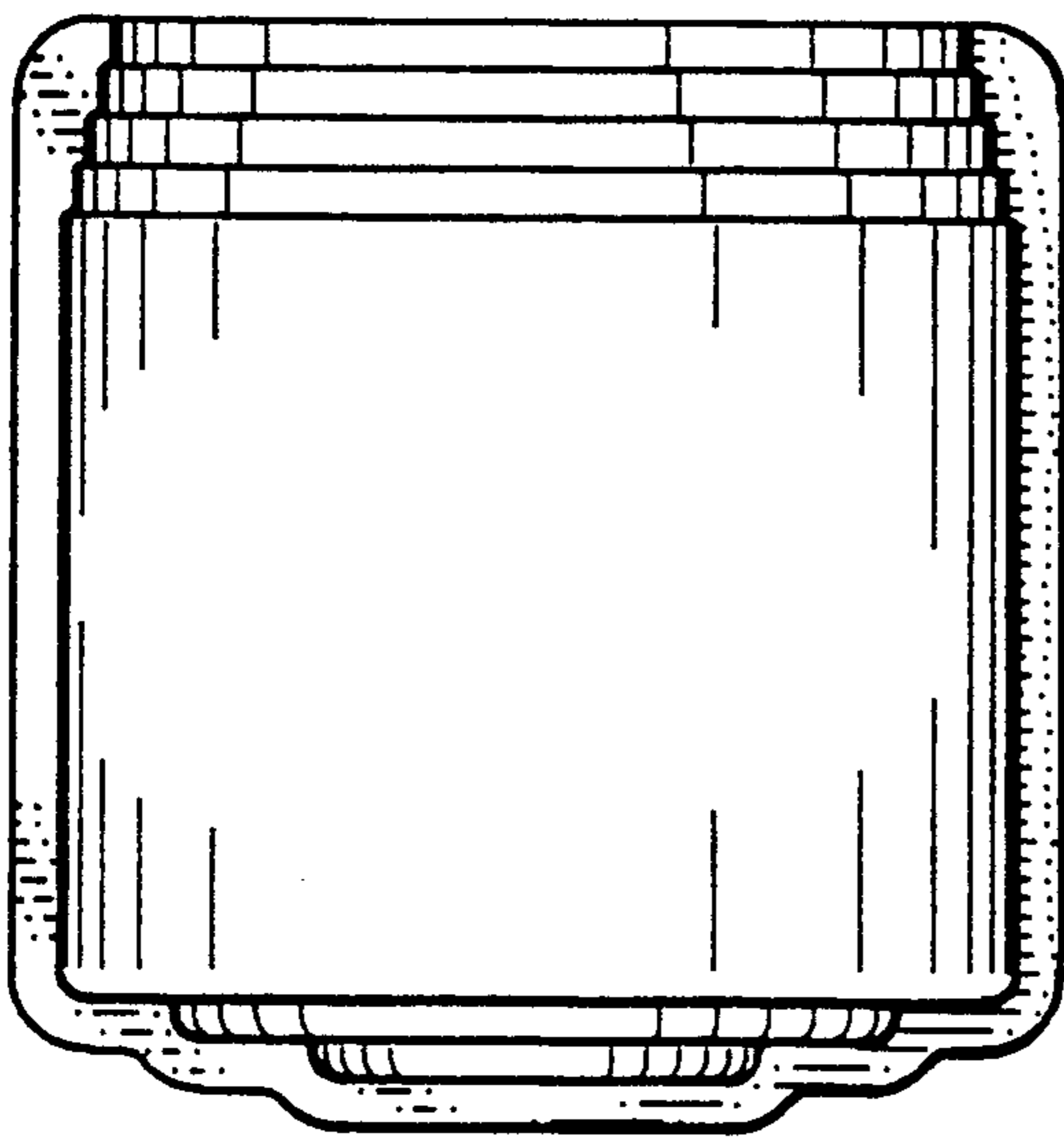


FIG. 9

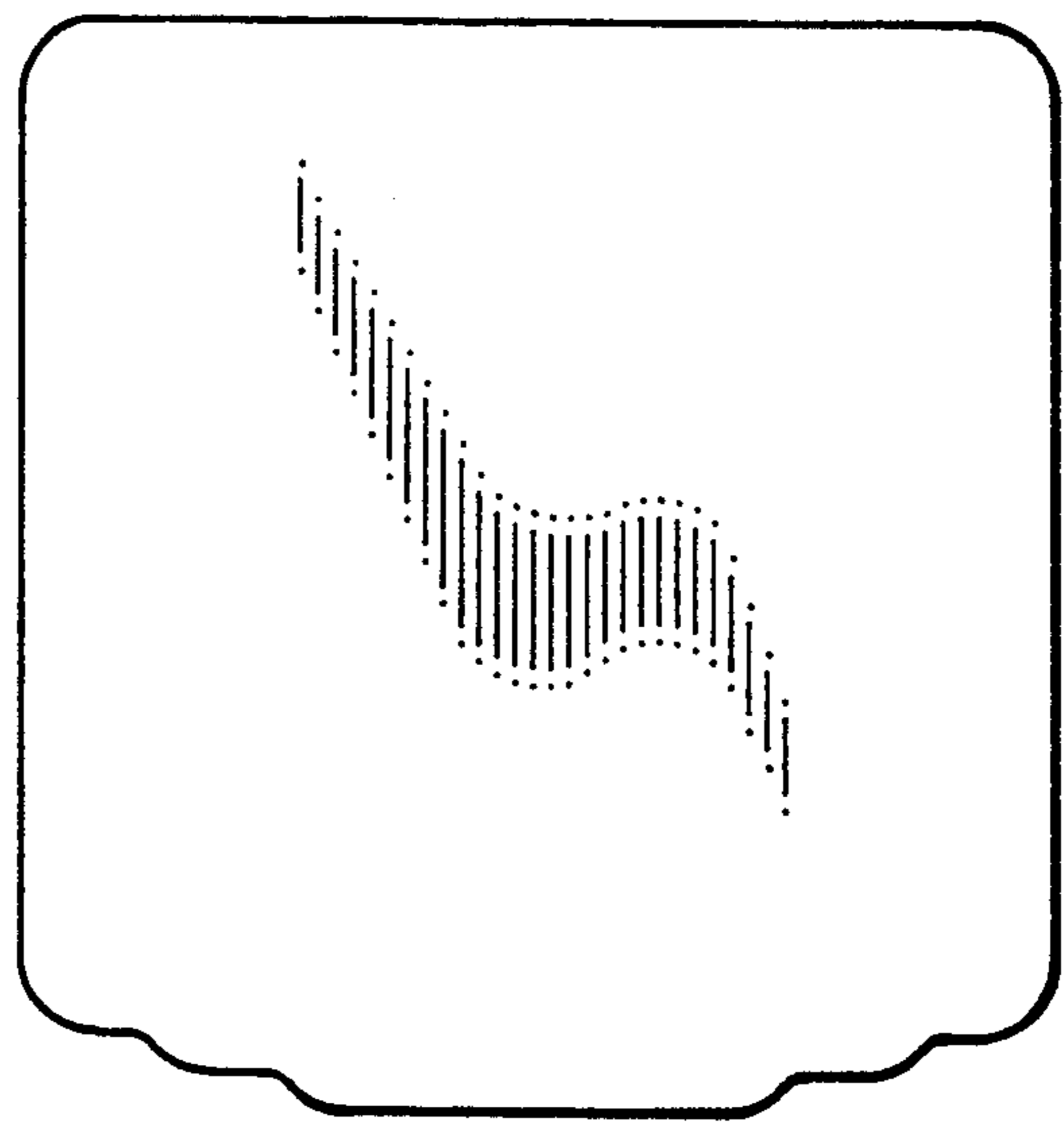


FIG. 10

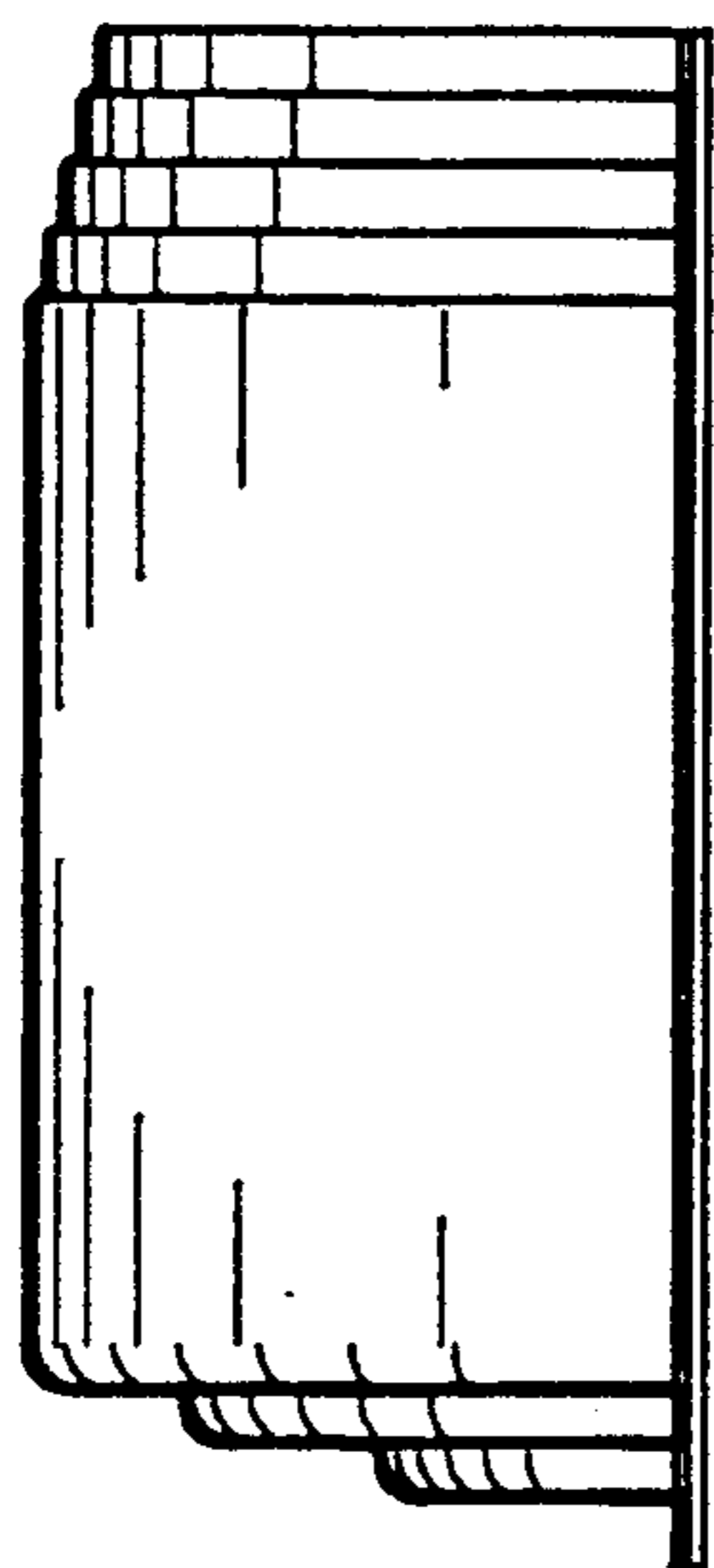


FIG. 11

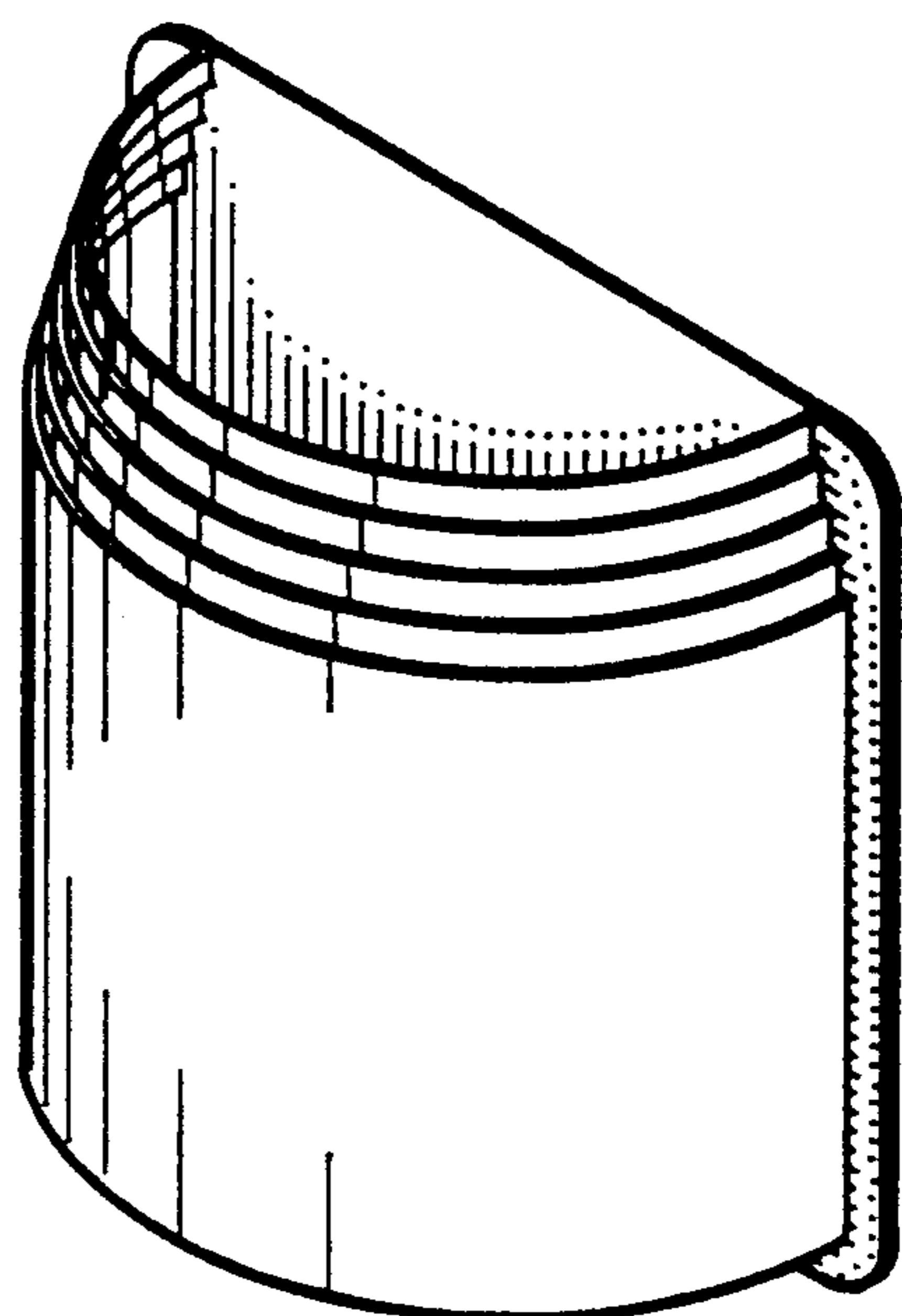


FIG. 12