



US00D334948S

# United States Patent [19]

Kirchner

[11] Patent Number: **Des. 334,948**

[45] Date of Patent: **\*\* Apr. 20, 1993**

[54] **PENCIL HOLDER**

[75] Inventor: **Balthasar Kirchner, Eferding, Austria**

[73] Assignee: **Ernst Stadelmann Gesellschaft m.b.H., Eferding, Austria**

[\*\*] Term: **14 Years**

[21] Appl. No.: **569,456**

[22] Filed: **Aug. 17, 1990**

[30] **Foreign Application Priority Data**

Feb. 22, 1990 [AT]	Austria	27.886
Feb. 22, 1990 [AT]	Austria	27.887
Feb. 22, 1990 [AT]	Austria	27.888
Feb. 22, 1990 [AT]	Austria	27.889
Feb. 22, 1990 [AT]	Austria	27.890
Feb. 22, 1990 [AT]	Austria	27.891
Feb. 22, 1990 [AT]	Austria	27.892

[52] U.S. Cl. .... **D19/85; D19/75; D19/77; D19/95**

[58] Field of Search ..... **D19/35, 36, 65, 75, D19/77, 78, 90, 95, 99, 100; 206/214, 224, 371; 211/69.1-69.9**

[56] **References Cited**

**U.S. PATENT DOCUMENTS**

D. 123,610	11/1940	Bargen	D19/77 X
D. 219,719	1/1971	Fleming	D19/77 X
D. 250,653	12/1978	Tiedemann	D19/85
D. 308,076	5/1990	Gecchelin	D19/85
D. 311,213	10/1990	Ancona et al.	D19/77
D. 316,111	4/1991	Hawes, Jr. et al.	D19/85
D. 323,853	2/1992	Evenson	D19/75 X

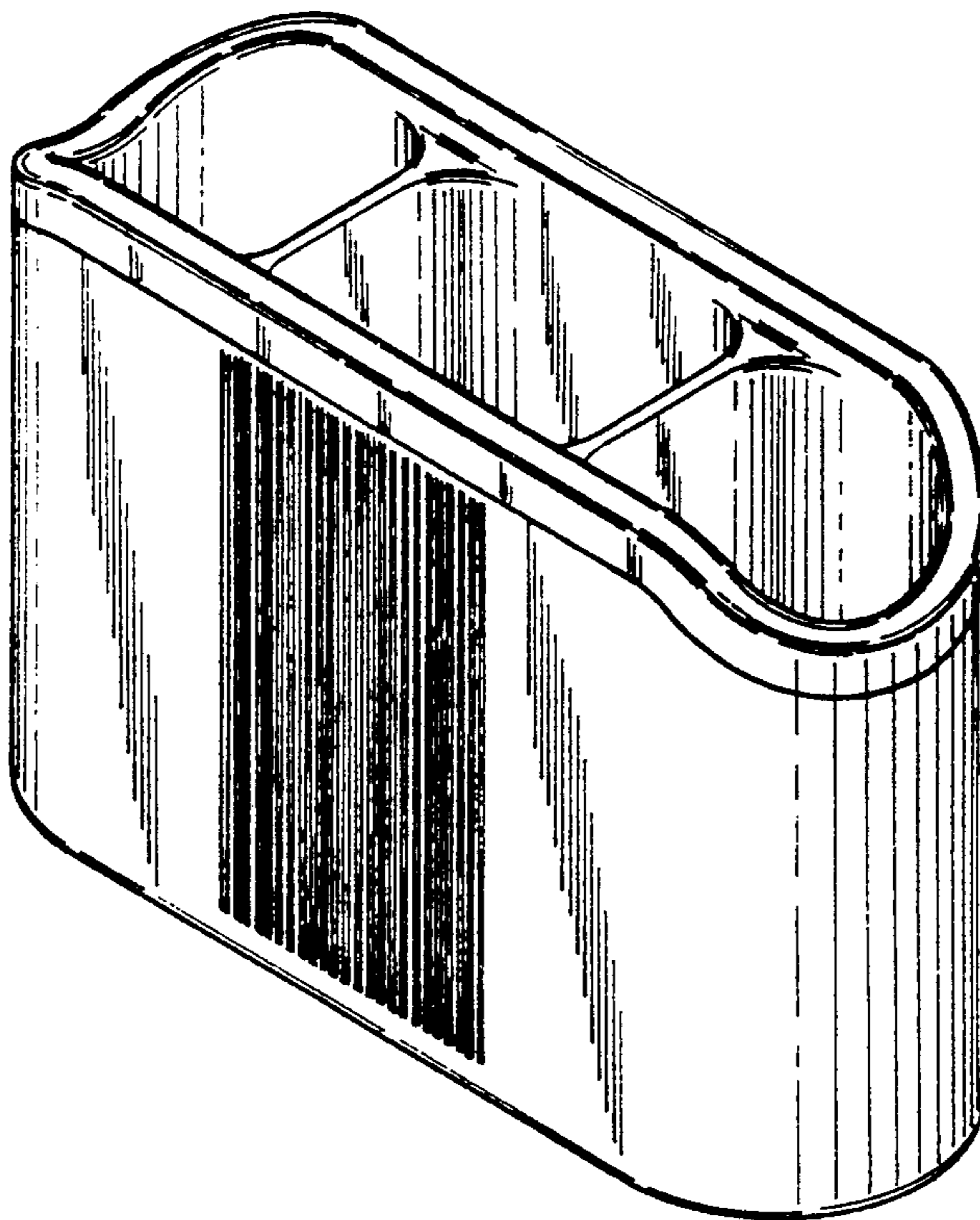
*Primary Examiner*—Nelson C. Holtje  
*Assistant Examiner*—Martha Thompson  
*Attorney, Agent, or Firm*—Herbert Dubno

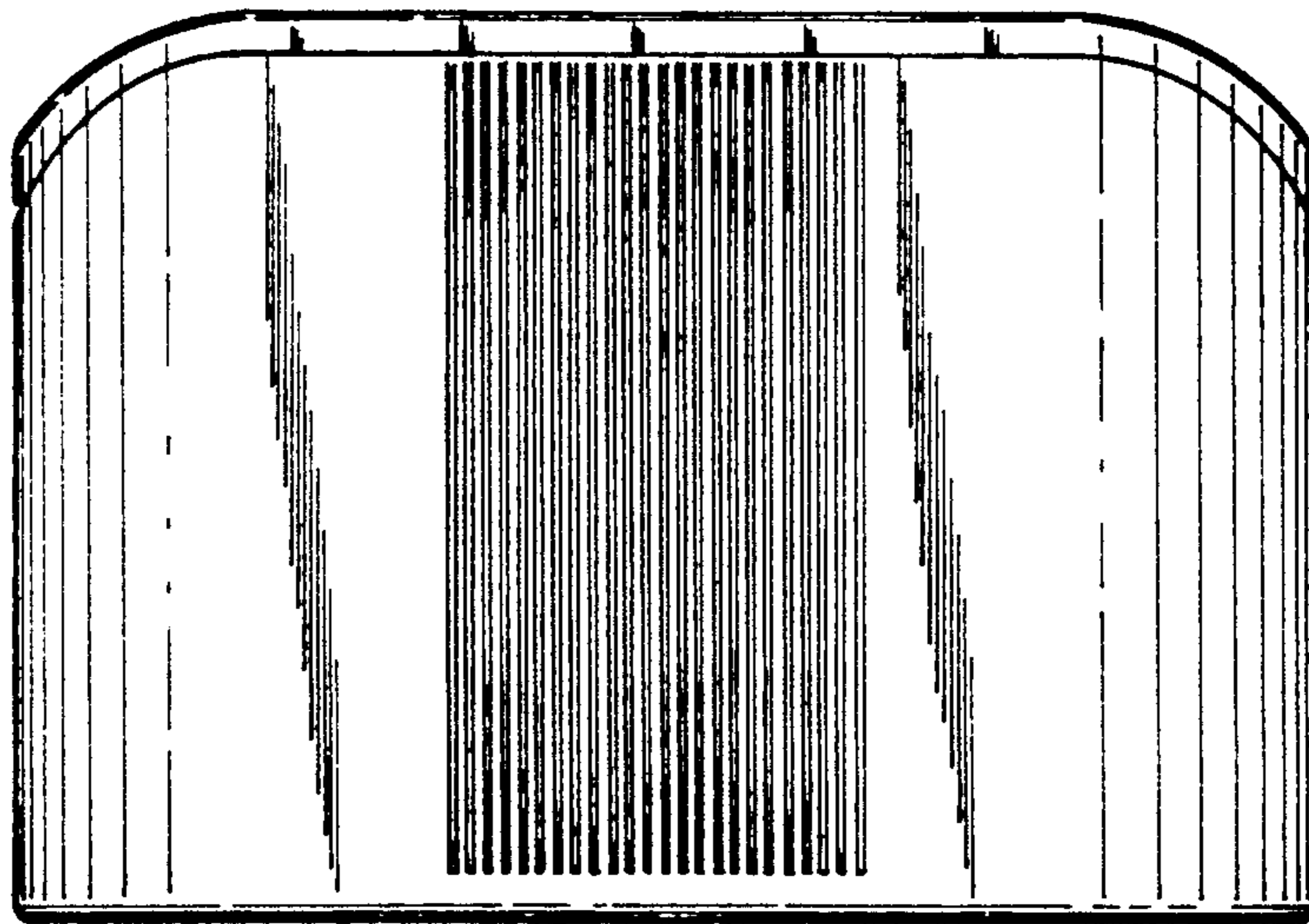
[57] **CLAIM**

The ornamental design for a pencil holder, as shown and described.

**DESCRIPTION**

FIG. 1 is a front elevational view of the pencil holder showing my new design, the rear view being identical to the front view;  
FIG. 2 is an elevational view of one side of the pencil holder, the other side being identical thereto;  
FIG. 3 is a top plan view thereof;  
FIG. 4 is a bottom plan view thereof; and,  
FIG. 5 is a top, right front perspective view thereof.





*FIG. 1*

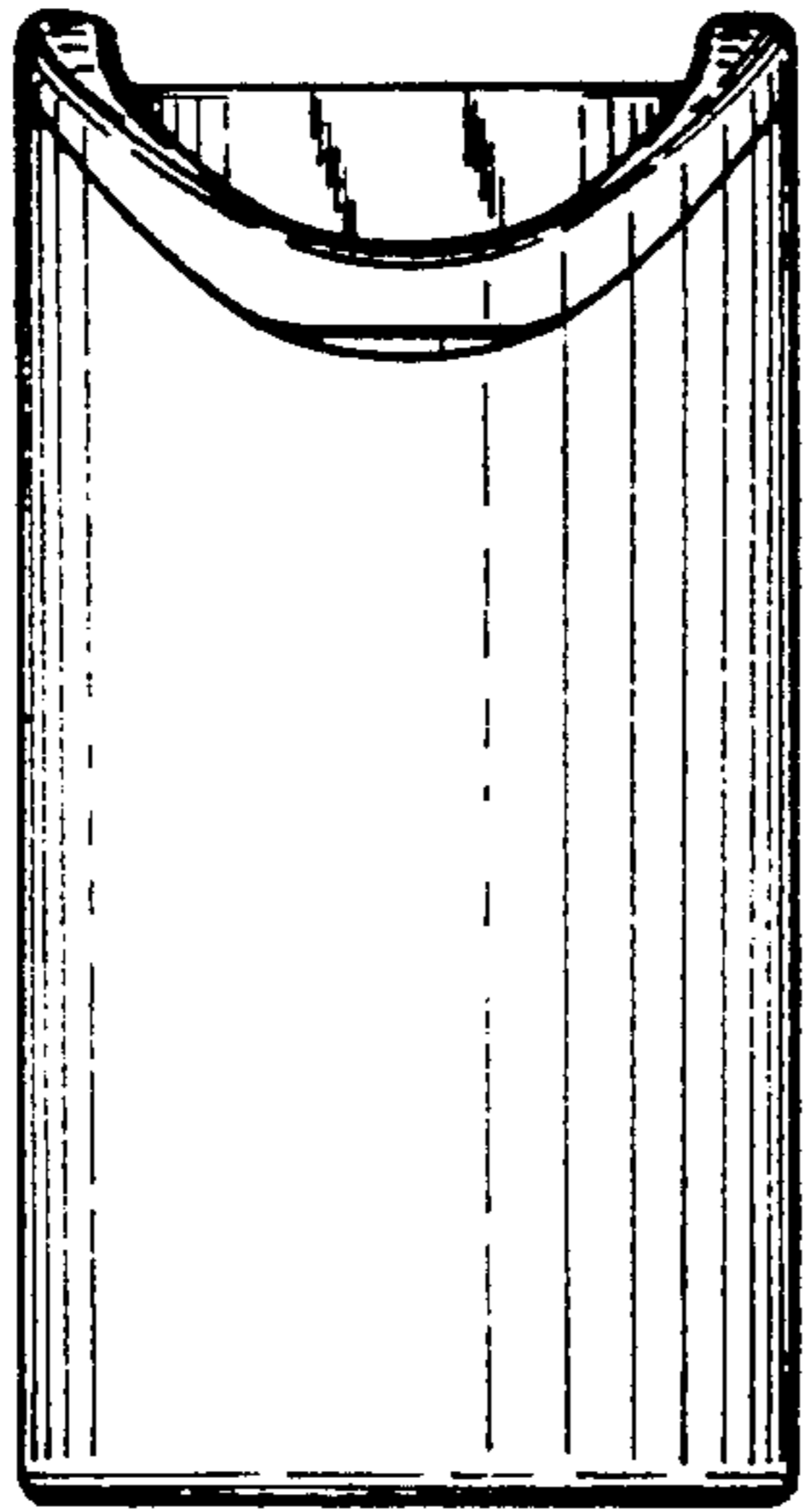


FIG. 2

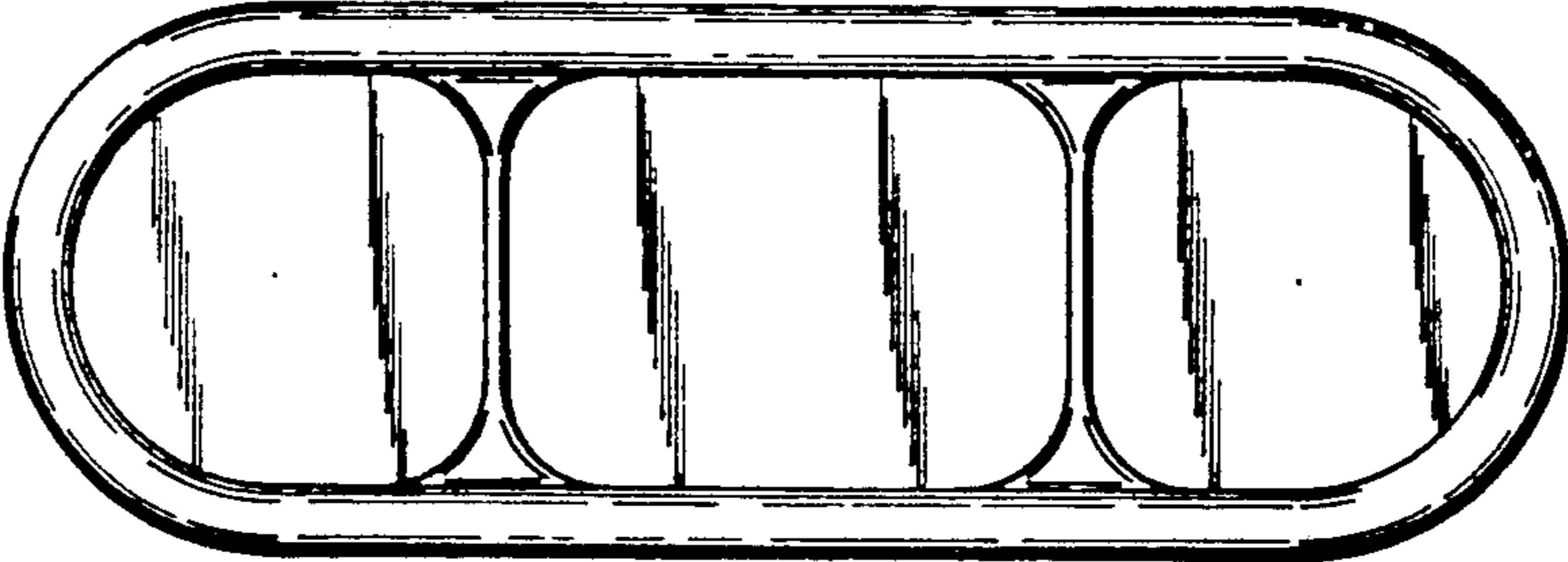
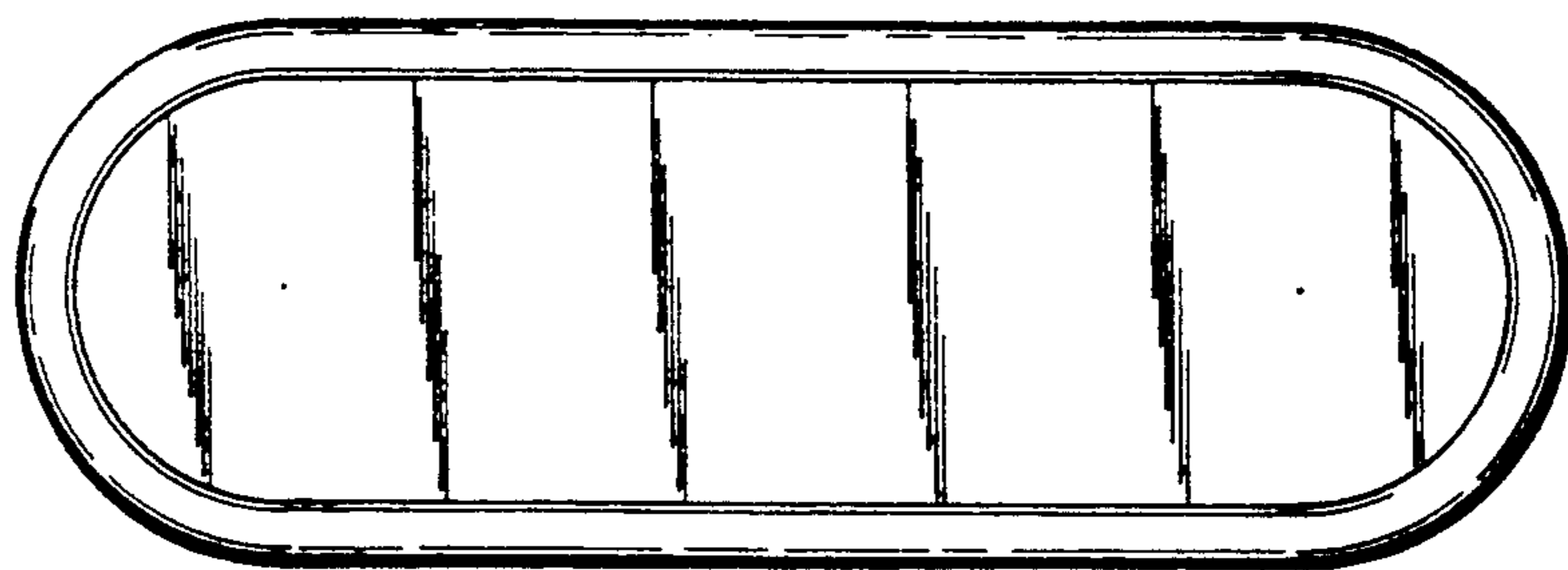


FIG. 3



*FIG. 4*

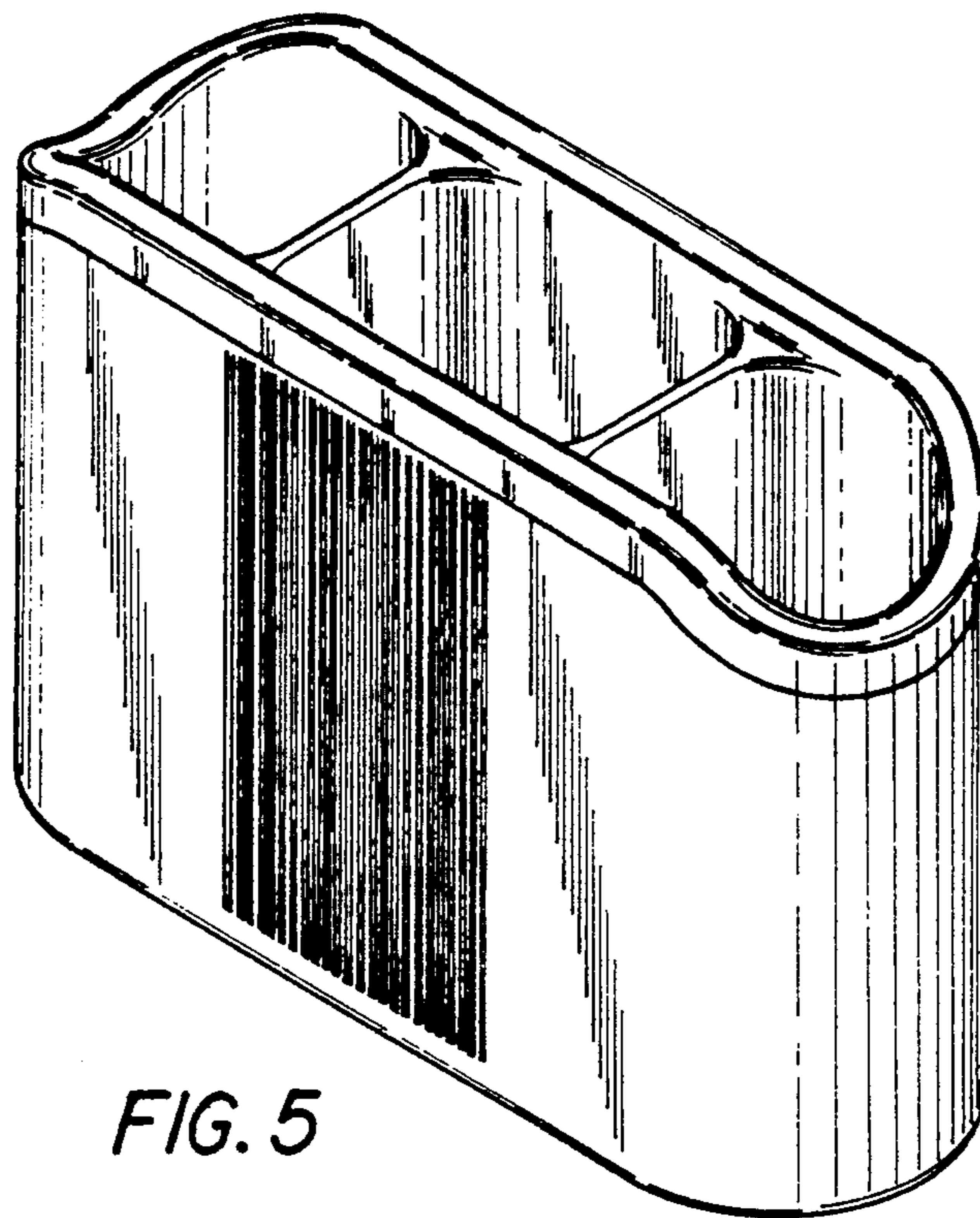


FIG. 5