



US00D334947S

United States Patent [19]
Egly et al.

[11] **Patent Number: Des. 334,947**
[45] **Date of Patent: ** Apr. 20, 1993**

[54] **COPY HOLDER**

[75] **Inventors: Robert A. Egly, 31 Belcourt South
30994, Newport Beach, Calif. 92660;
Patrick Sullivan, Orange, Calif.**

[73] **Assignee: Robert A. Egly, Newport Beach,
Calif.**

[**] **Term: 14 Years**

[21] **Appl. No.: 677,289**

[22] **Filed: Mar. 29, 1991**

[52] **U.S. Cl. D19/88; D19/90;
D19/91**

[58] **Field of Search D14/114; D19/75, 86,
D19/88, 90, 91, 99, 100; 40/341-349;
248/441.1, 442.2, 447.1, 316.3, 454, 278, 918;
211/89**

[56] **References Cited**

U.S. PATENT DOCUMENTS

D. 301,044 5/1989 Judd D19/88
D. 302,443 7/1989 Jones D19/88 X

D. 327,094 6/1992 Jones D19/88
4,747,572 5/1988 Weber 248/442.2
4,767,093 8/1988 Jones 248/442.2
4,934,648 6/1990 Yueh 248/442.2
5,044,593 9/1991 Jones 248/442.2
5,067,681 11/1991 Huang et al. 248/442.2
5,078,358 1/1992 Egly et al. 248/316.3 X

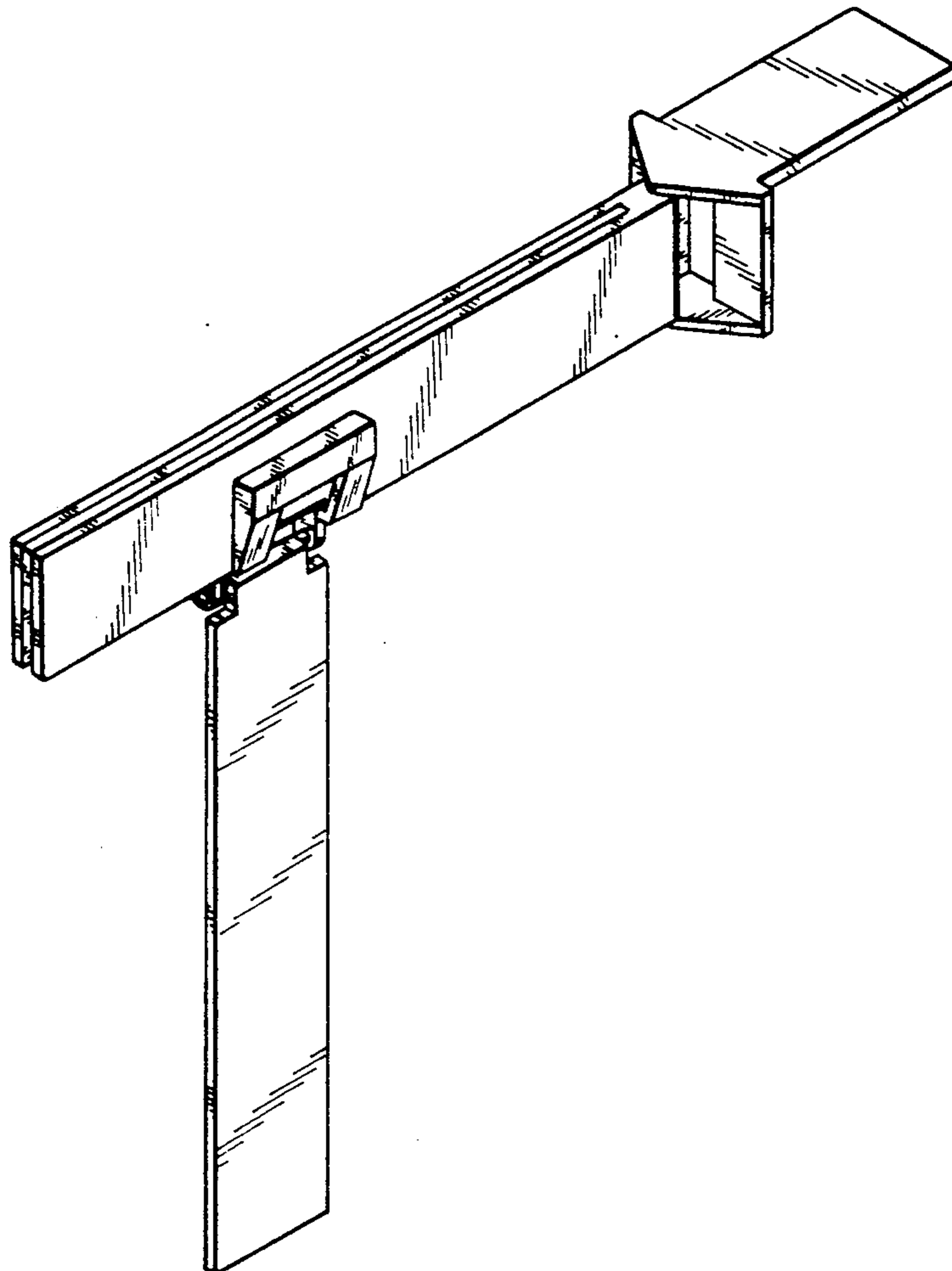
Primary Examiner—Nelson C. Holtje
Assistant Examiner—Martha Thompson
Attorney, Agent, or Firm—George F. Bethel; Patience
K. Bethel

[57] **CLAIM**

The ornamental design for a copy holder, as shown and described.

DESCRIPTION

FIG. 1 is a top, left front perspective view of a copy holder showing our new design;
FIG. 2 is a top plan view;
FIG. 3 is a rear elevational view;
FIG. 4 is a right end elevational view;
FIG. 5 is a left end elevational view; and,
FIG. 6 is a bottom plan view thereof.



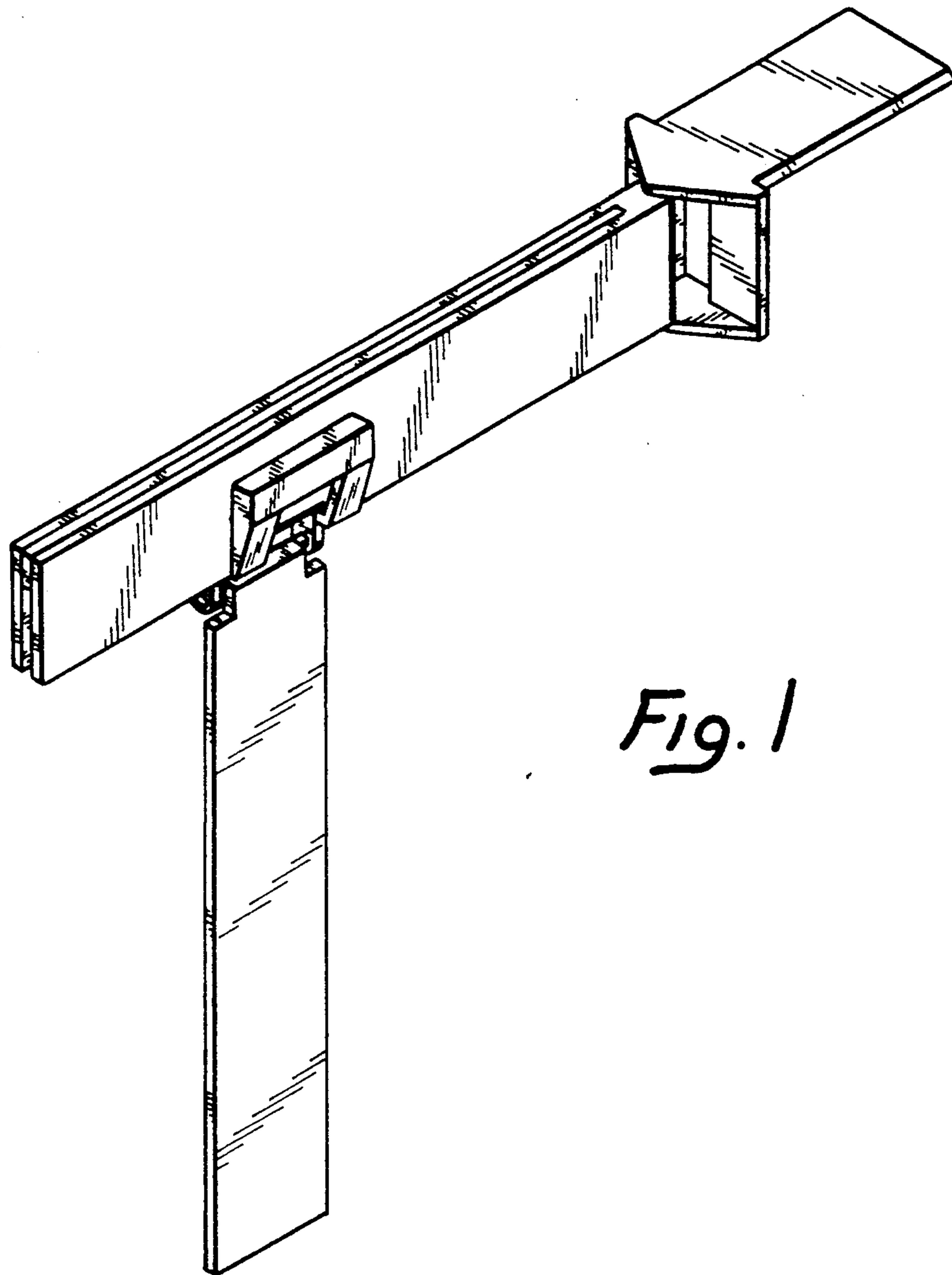
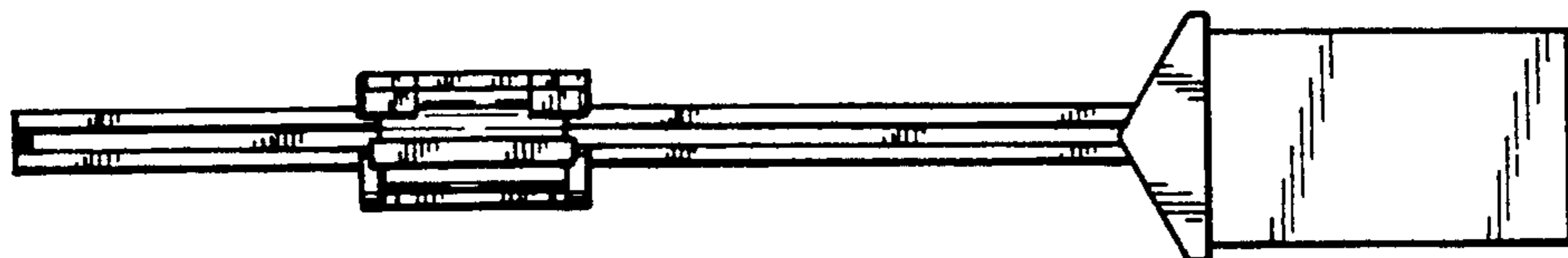


Fig. 6



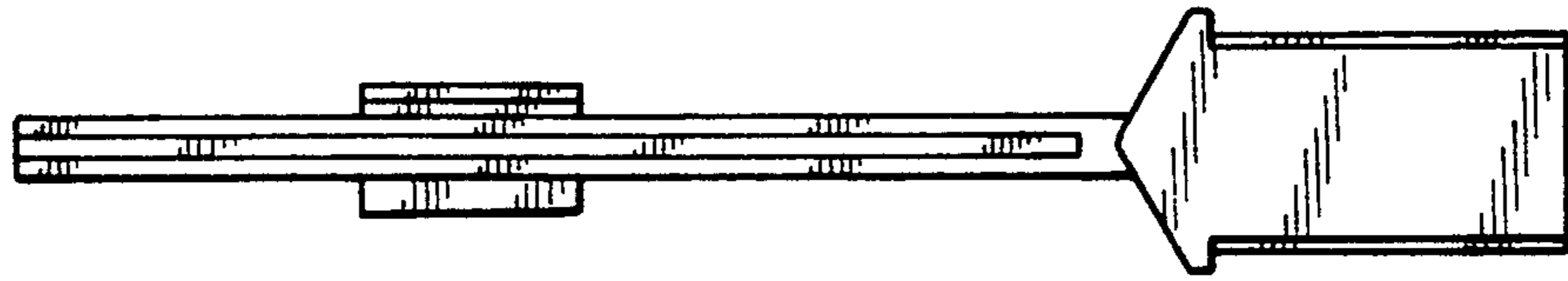


Fig. 2

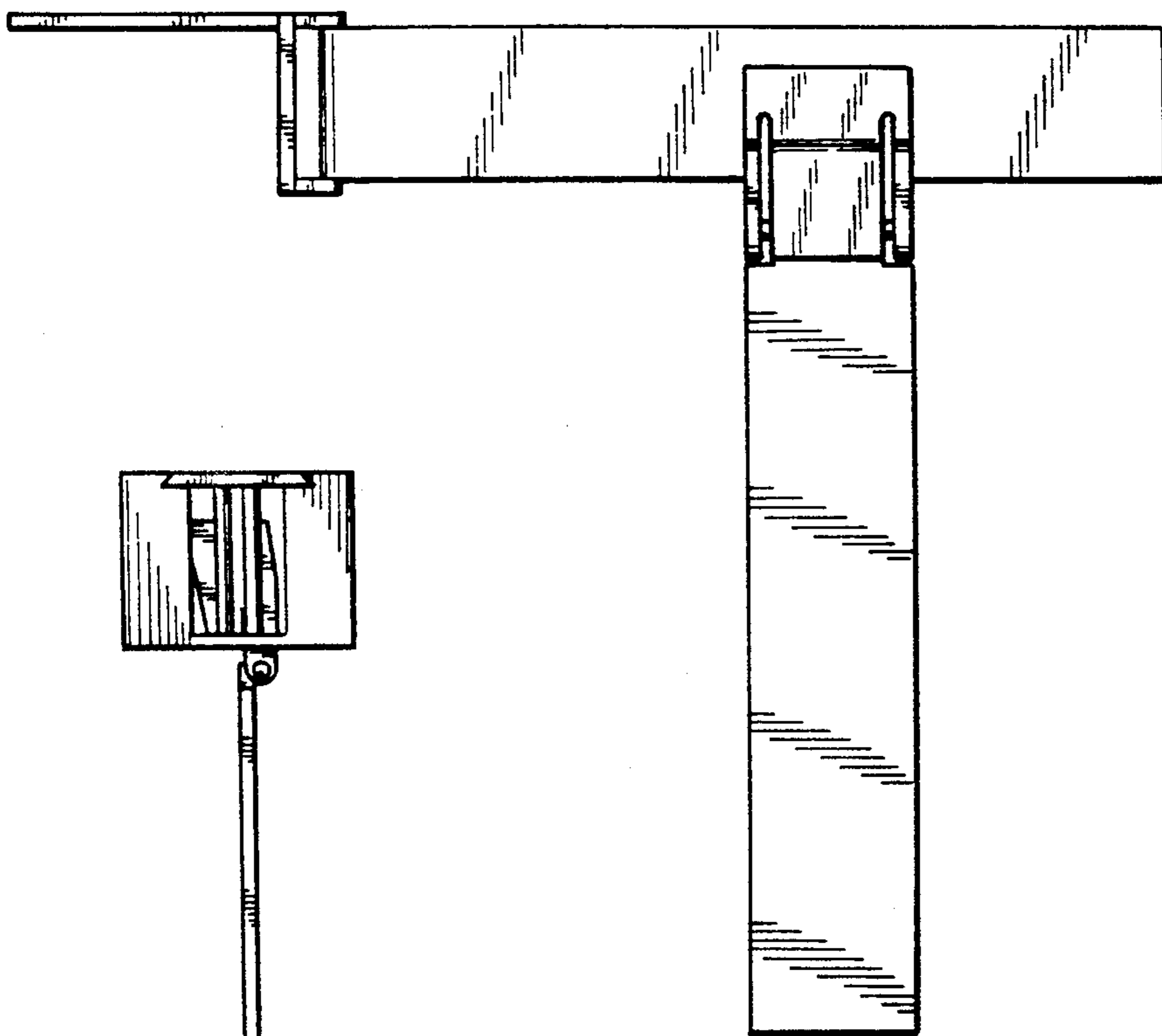


Fig. 3

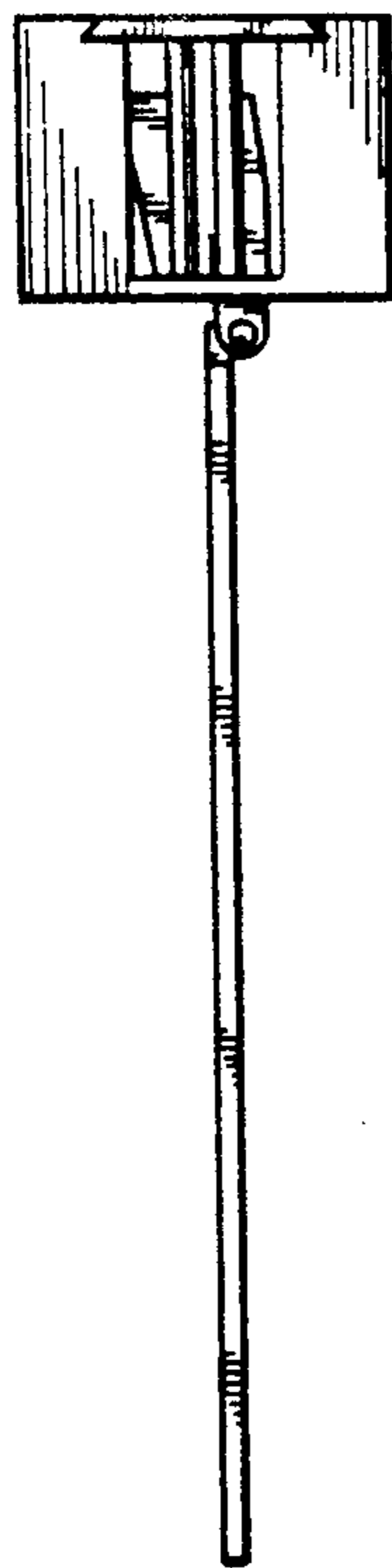


Fig. 4

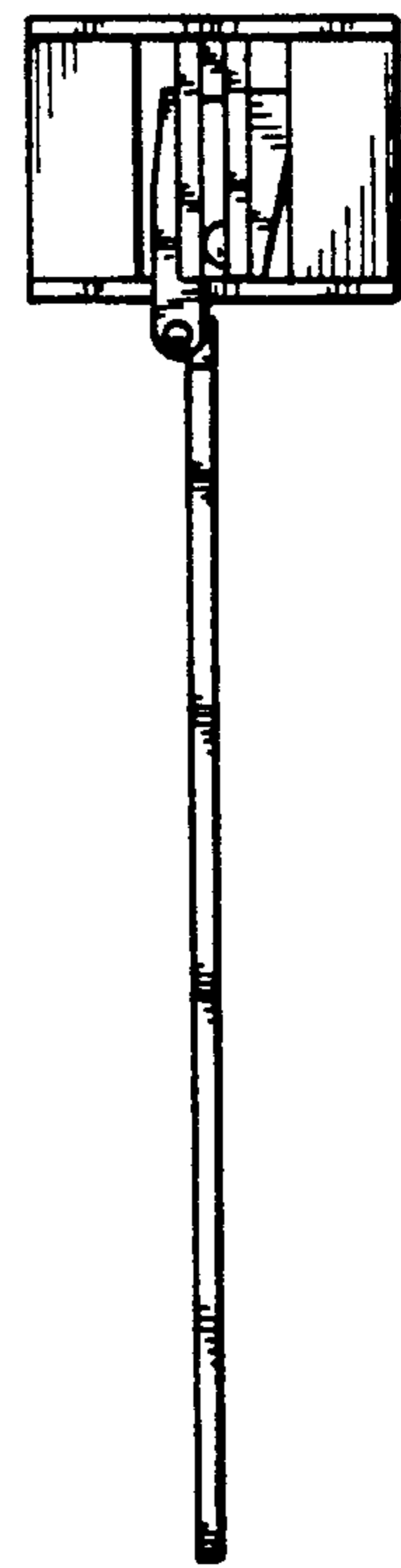


Fig. 5