



US00D334946S

United States Patent [19]

[11] Patent Number: **Des. 334,946**

Tarozzi

[45] Date of Patent: **** Apr. 20, 1993**

[54] **TIERED TRAY FOR HOLDING ARTIST'S SUPPLIES**

D. 317,179 5/1991 Kheng D19/78
D. 320,619 10/1991 Schlech et al. D19/75 X

[75] Inventor: **Richard A. Tarozzi**, Gales Ferry, Conn.

OTHER PUBLICATIONS

Binney & Smith Catalog page which shows Crayola Washable Water Colors which are packed in plastic trays. Jan. 1992.

[73] Assignee: **Binney & Smith Inc.**, Easton, Pa.

Primary Examiner—Nelson C. Holtje
Assistant Examiner—Martha Thompson
Attorney, Agent, or Firm—Leydig, Voit & Mayer

[**] Term: **14 Years**

[21] Appl. No.: **734,810**

[57] CLAIM

The ornamental design for a tiered tray for holding artist's supplies, as shown and described.

[22] Filed: **Jul. 23, 1991**
[52] U.S. Cl. **D19/77; D19/35; D19/75; D19/78**

[58] Field of Search **D3/74; D19/35, 36, 65, D19/75, 77, 78, 81-85, 86, 92, 98, 99, 100; 206/1.7-1.9, 214, 224, 371; 211/69.1-69.9**

DESCRIPTION

[56] References Cited

U.S. PATENT DOCUMENTS

D. 189,489 12/1960 Jackson D19/75 X
D. 267,959 2/1983 Cheung D19/78
D. 277,969 3/1985 Bustos D19/75
D. 303,813 10/1989 Foran et al. D19/77
D. 305,246 12/1989 Kirchhoff et al. D19/77 X
D. 317,178 5/1991 Kheng D19/75

FIG. 1 is a top, right front perspective view of a tiered tray for holding artist's supplies showing my new design;

FIG. 2 is a top plan view;

FIG. 3 is a front elevational view;

FIG. 4 is a right side elevational view, the left side being a mirror image thereof;

FIG. 5 is a bottom plan view; and,

FIG. 6 is a rear elevational view thereof.

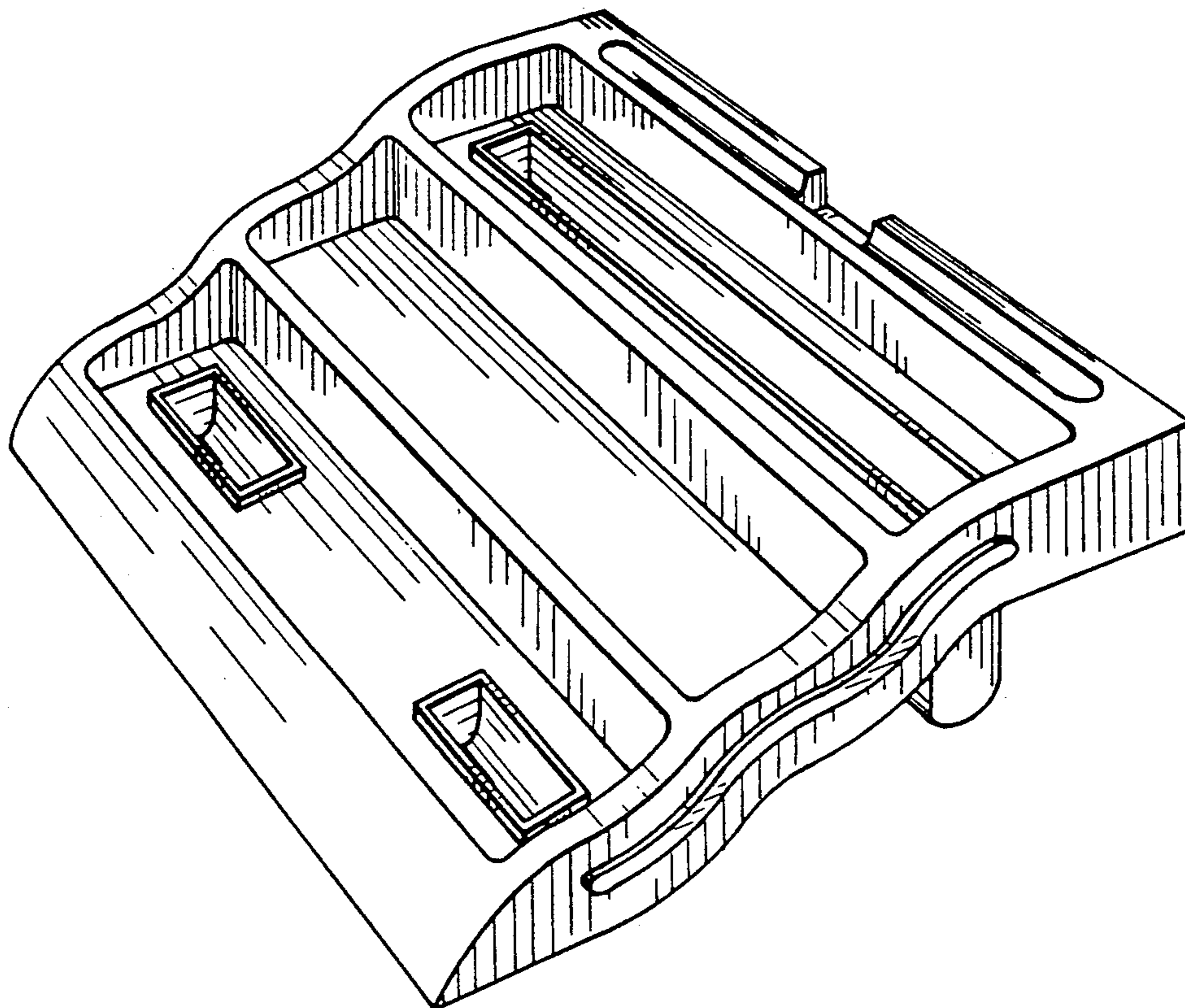


Fig. 1

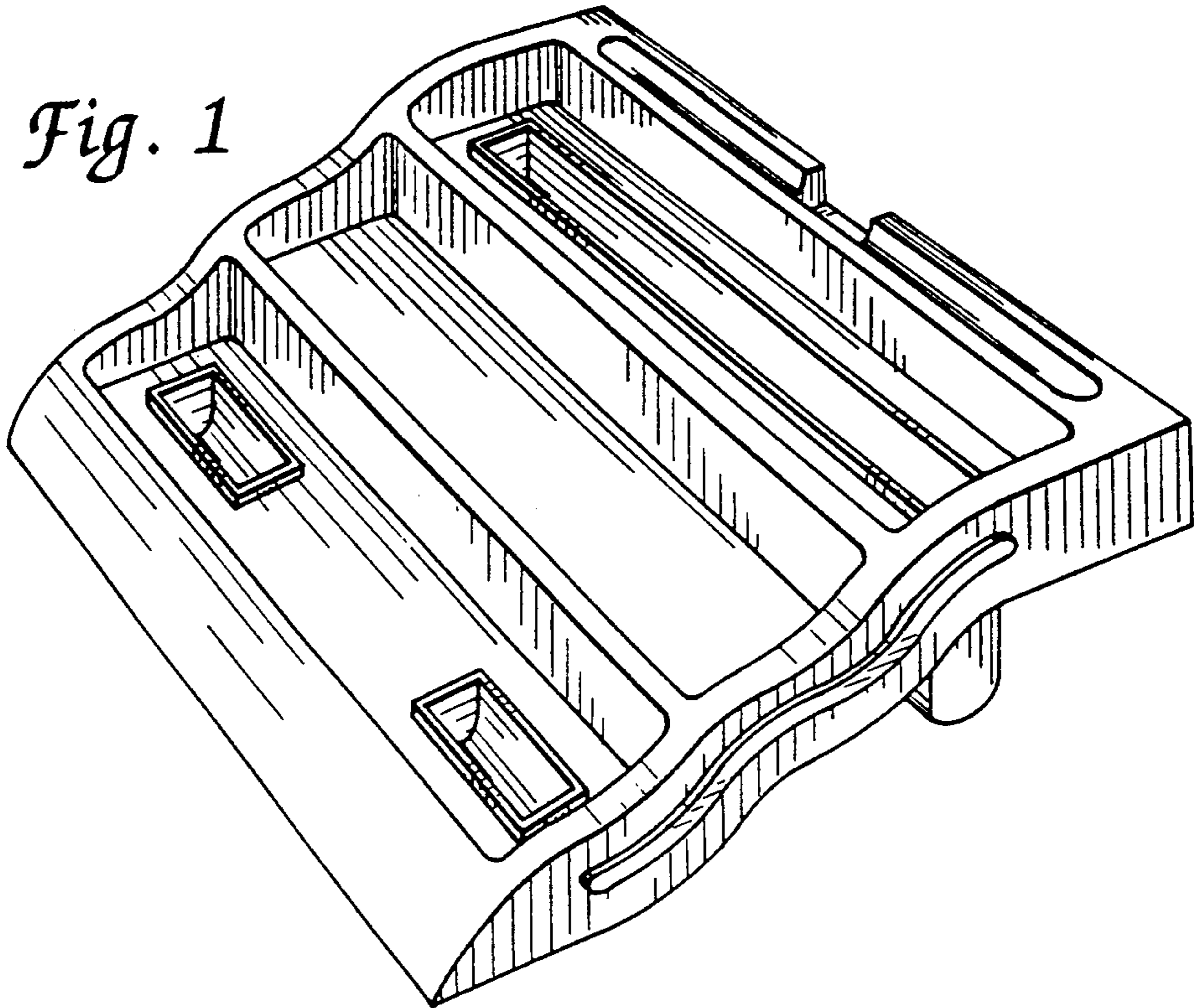


Fig. 2

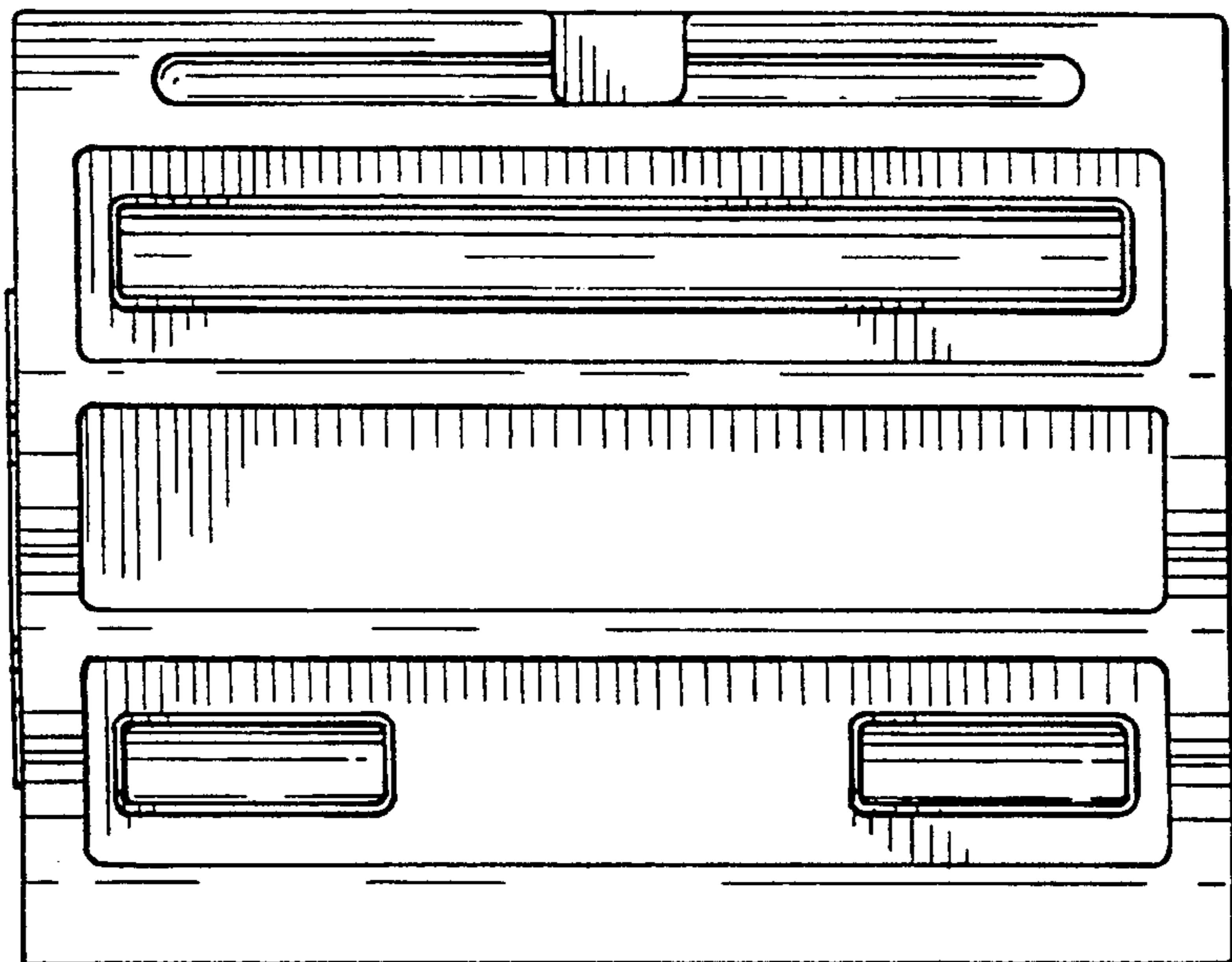


Fig. 4

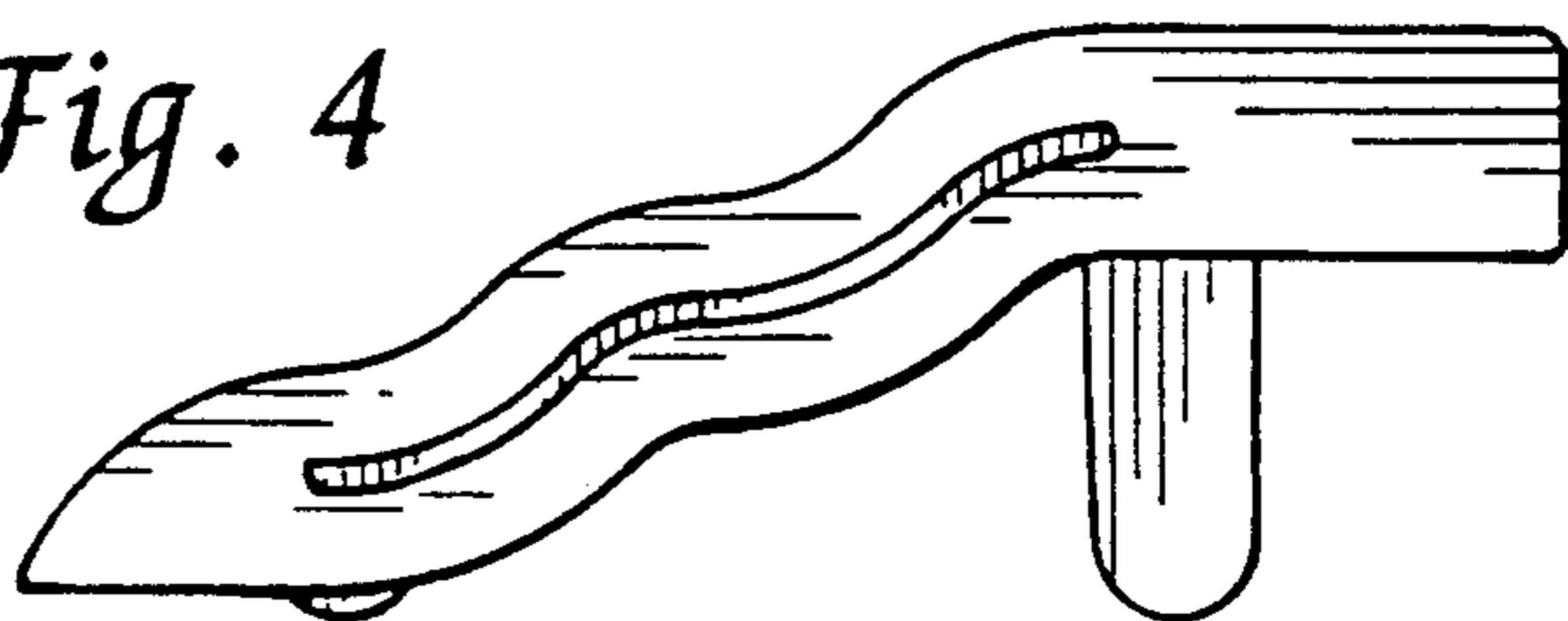


Fig. 3

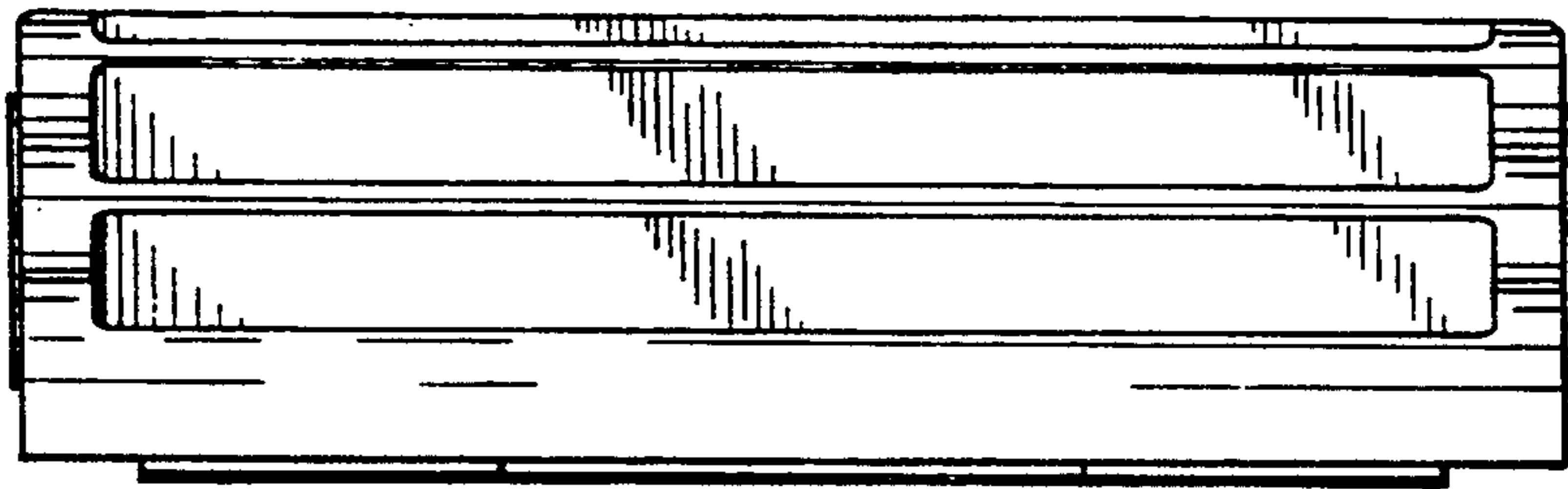


Fig. 5

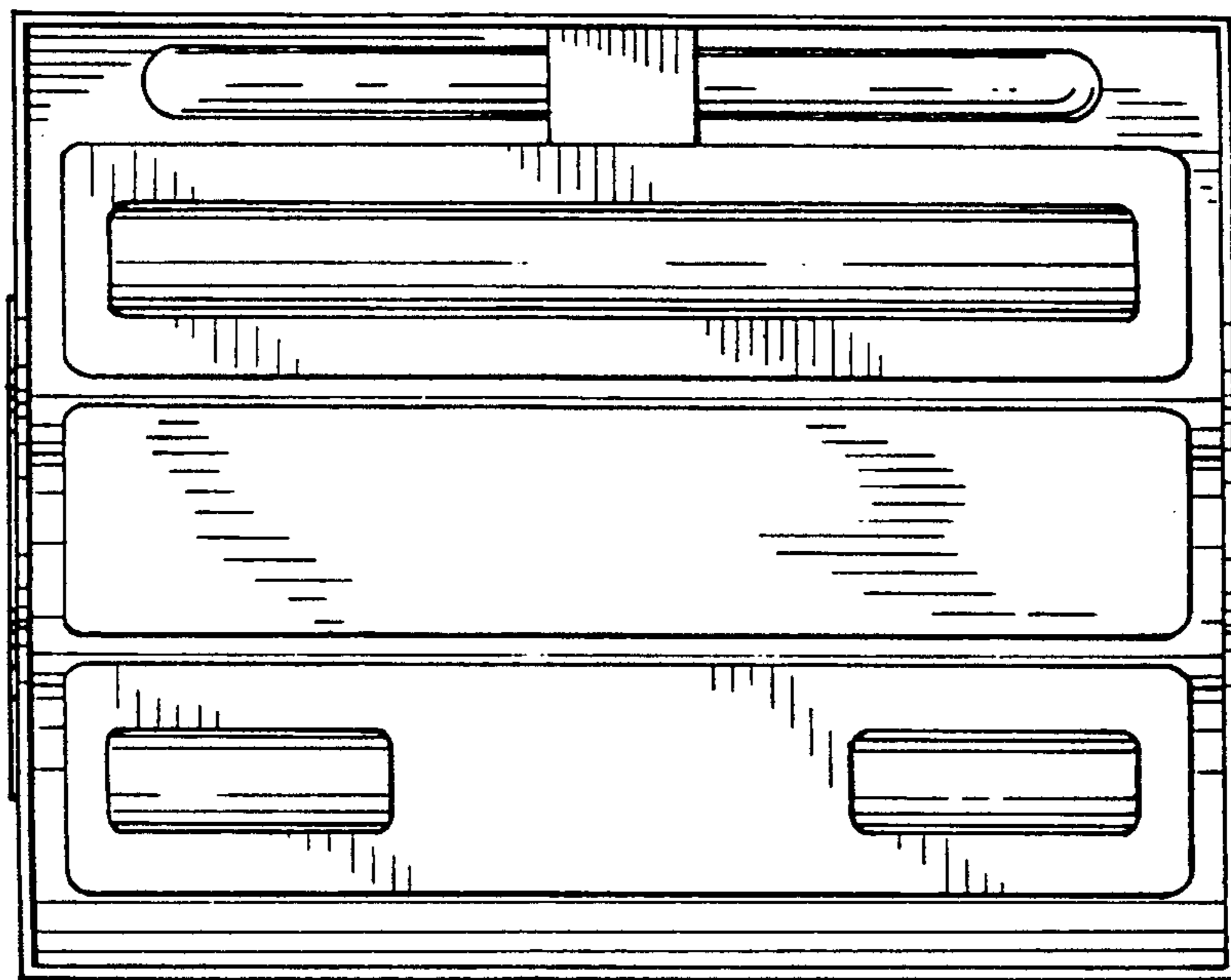


Fig. 6

