



US00D334939S

# United States Patent [19]

[11] Patent Number: **Des. 334,939**

Hamilton

[45] Date of Patent: **\*\* Apr. 20, 1993**

[54] **PREP INSERT FOR WALK IN COOLER**

[76] Inventor: **Robert A. Hamilton**, P.O. Box 234,  
Weirsdale, Fla. 32195

[\*\*] Term: **14 Years**

[21] Appl. No.: **670,162**

[22] Filed: **Mar. 15, 1991**

[52] U.S. Cl. .... **D15/89; D6/555**

[58] Field of Search ..... **D6/440, 481, 512, 553,  
D6/555, 561, 573; D15/89; 312/400-402, 236,  
238, 242, 245, 314, 316, 440**

Foodservice Equipment & Supplies Specialist Oct. 1989  
p. 46, left side.

Foodservice Equipment & Supplies Specialist Nov.  
1989, p. 52 Walk in Freezers, bottom.

Foodservice Equipment & Supplies Specialist Feb. 1990  
p. 37, center.

*Primary Examiner*—Bernard Ansher

*Assistant Examiner*—Sandra Morris

*Attorney, Agent, or Firm*—Benoni O. Reynolds

## [57] CLAIM

The ornamental design for a prep insert for a walk in cooler, as shown and described.

## DESCRIPTION

FIG. 1 is a front perspective view of a prep insert for a walk in cooler showing my new design;

FIG. 2 is a rear perspective view thereof;

FIG. 3 is a top plan view thereof;

FIG. 4 is a front elevational view thereof;

FIG. 5 is a rear elevational view thereof;

FIG. 6 is a right side elevational view thereof; and,

FIG. 7 is a cross-sectional view thereof taken along line 7-7 in FIG. 5.

The broken lines showing the outline of food tray inserts are for illustrative purposes only and form no part of the claimed design.

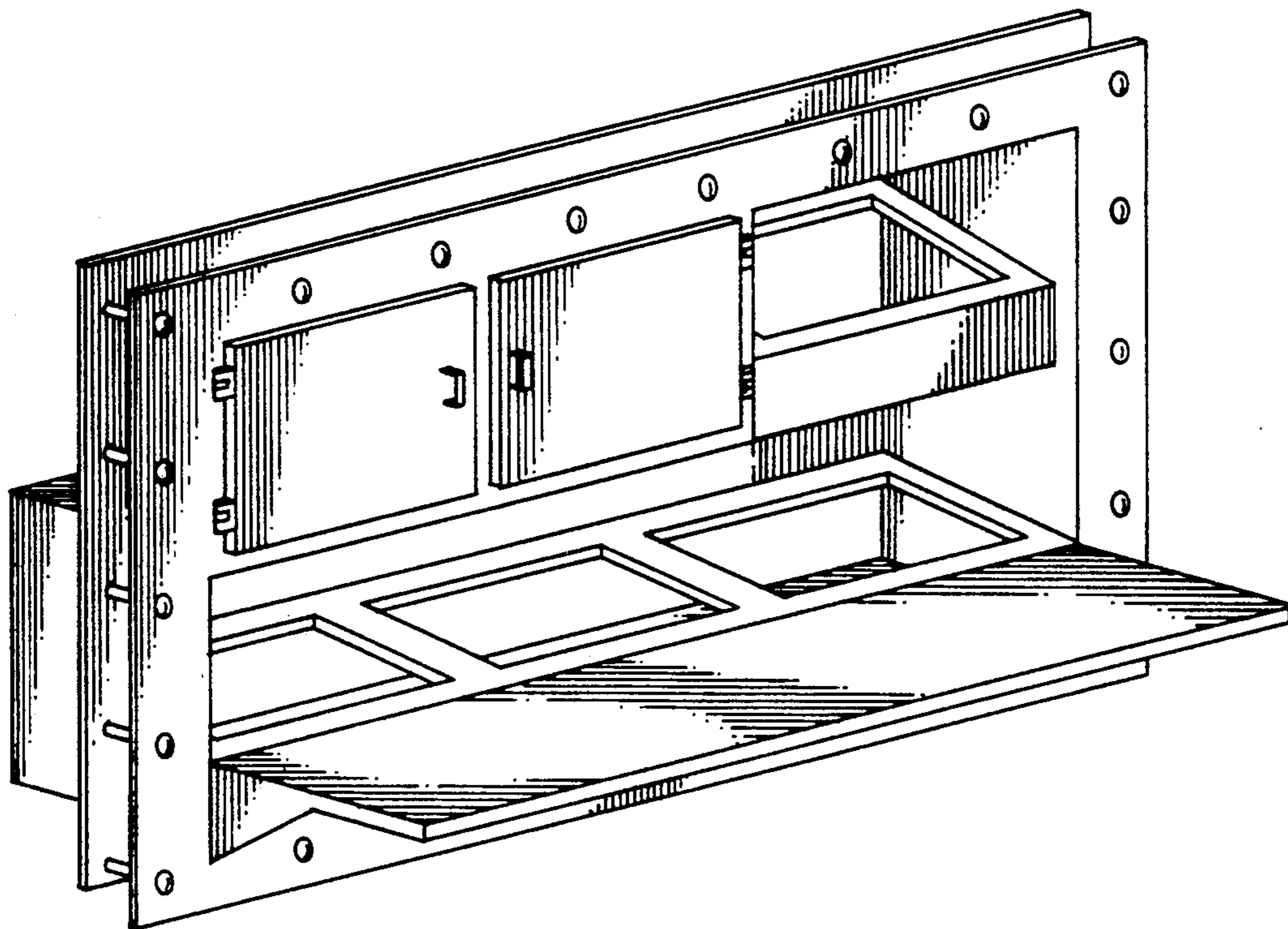
## [56] References Cited

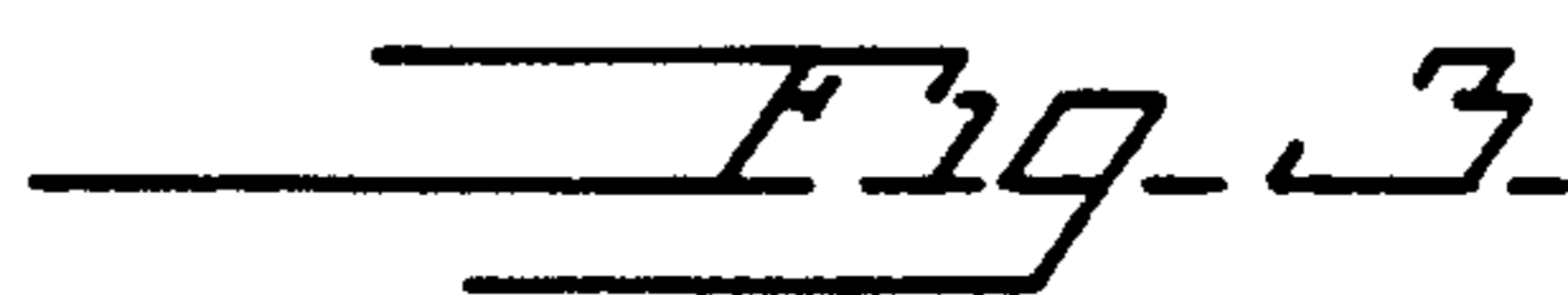
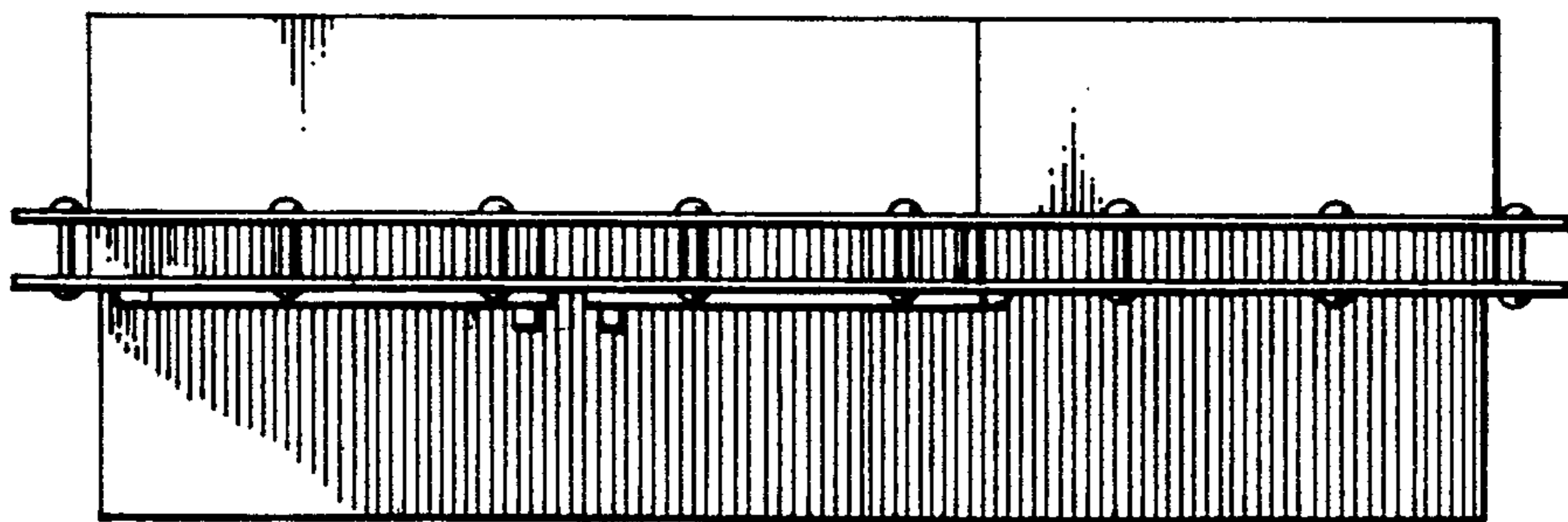
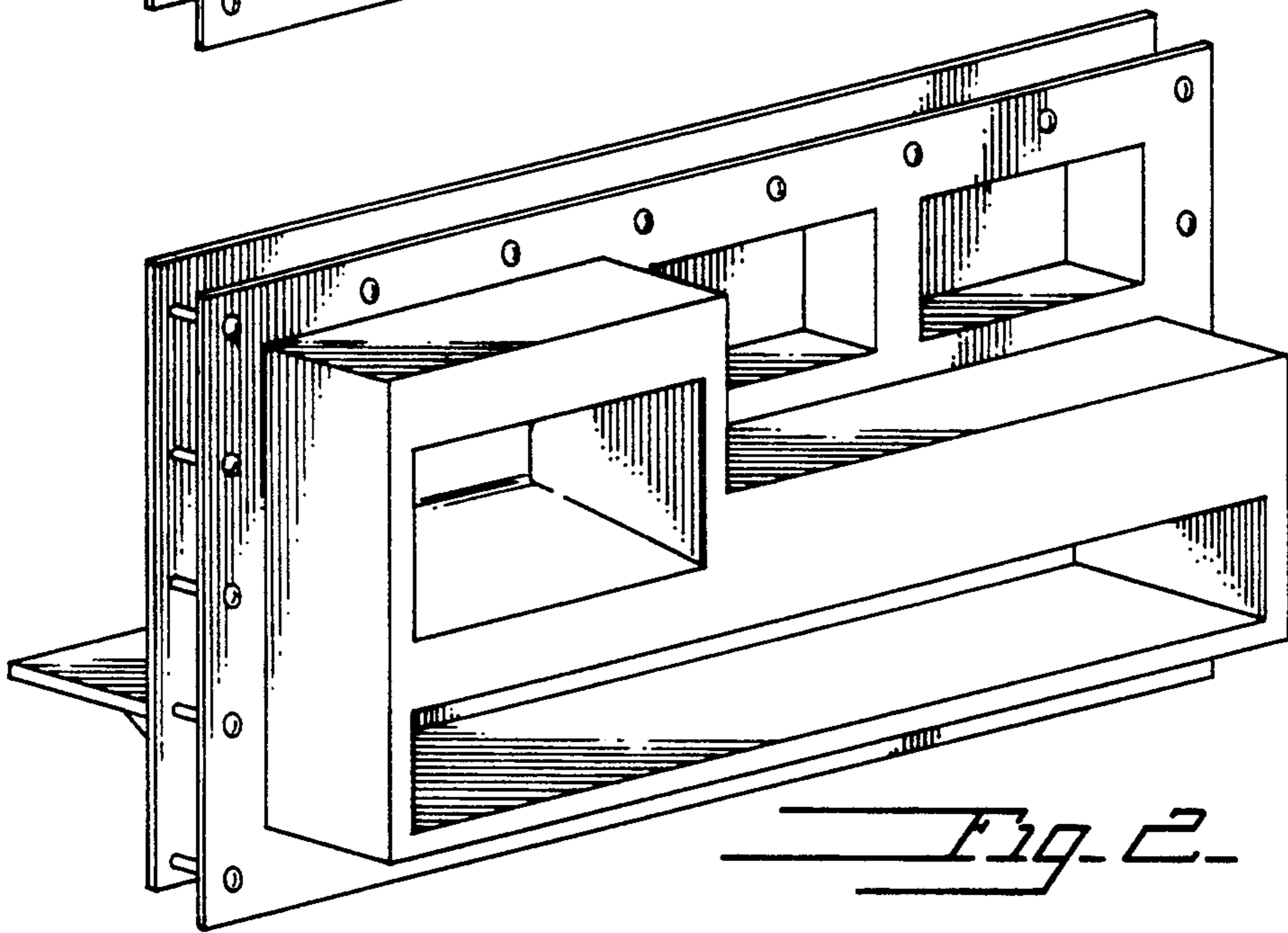
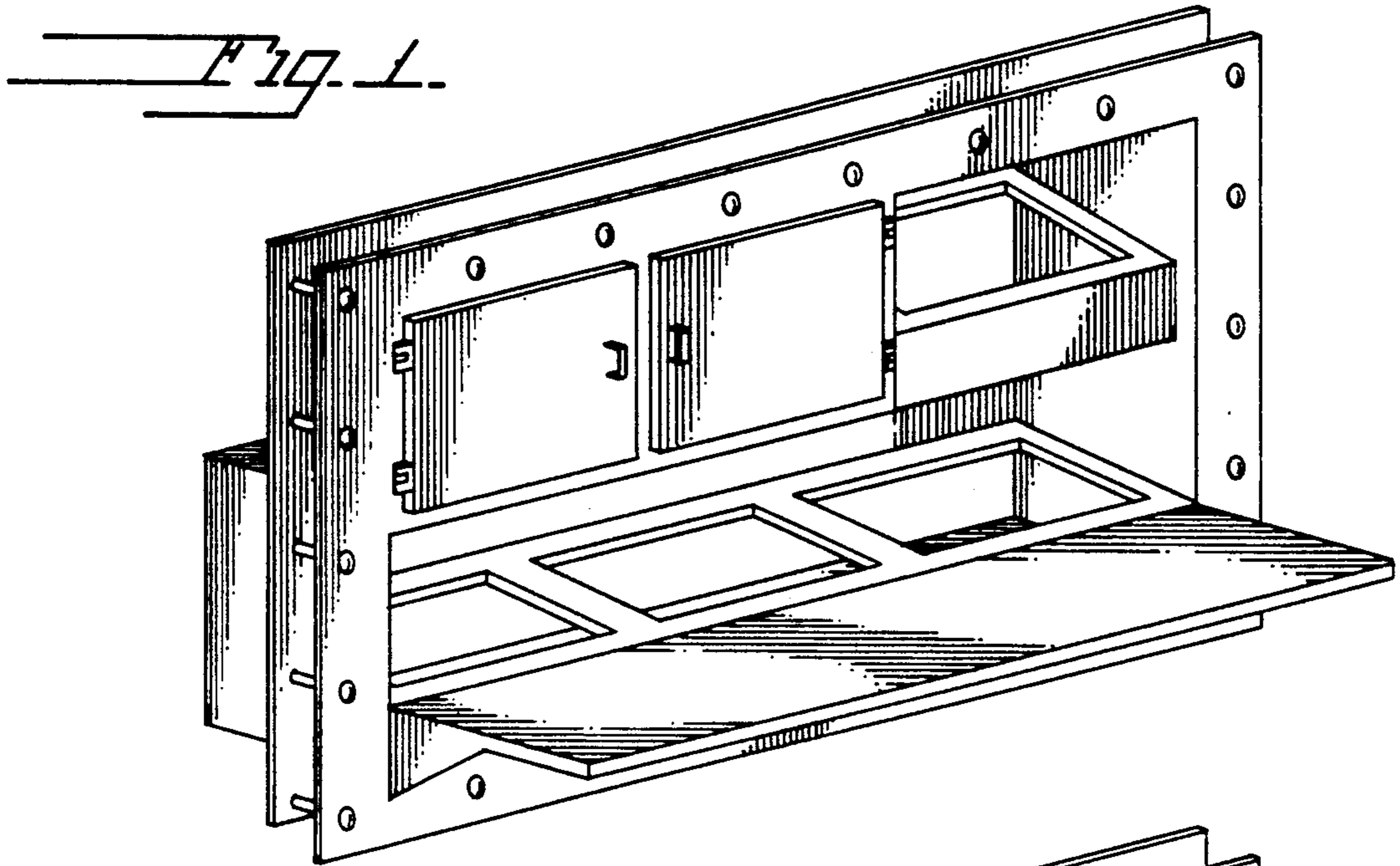
### U.S. PATENT DOCUMENTS

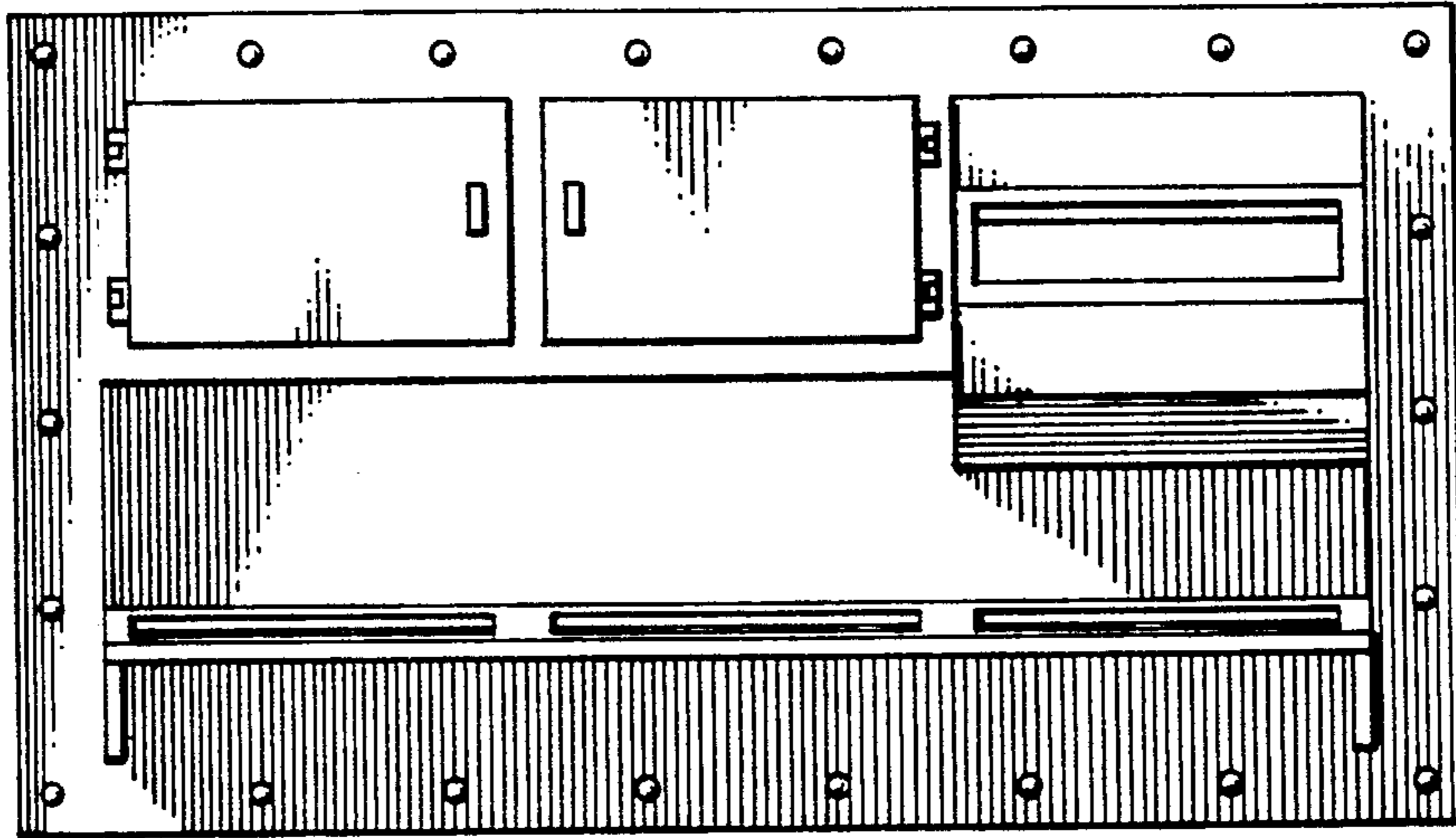
|            |         |                     |         |
|------------|---------|---------------------|---------|
| D. 167,825 | 9/1952  | Dailey .....        | D15/88  |
| D. 287,795 | 1/1987  | Streepy .....       | D6/440  |
| D. 293,403 | 12/1987 | Umanoff et al. .... | D6/555  |
| 3,196,632  | 7/1965  | Buffington .....    | 62/281  |
| 4,429,638  | 2/1984  | Licari .....        | 312/245 |
| 4,919,498  | 4/1990  | Turner .....        | 312/245 |

### OTHER PUBLICATIONS

Foodservice Equipment & Supplies Specialist May  
1988, p. 2 Pizza Table, center.

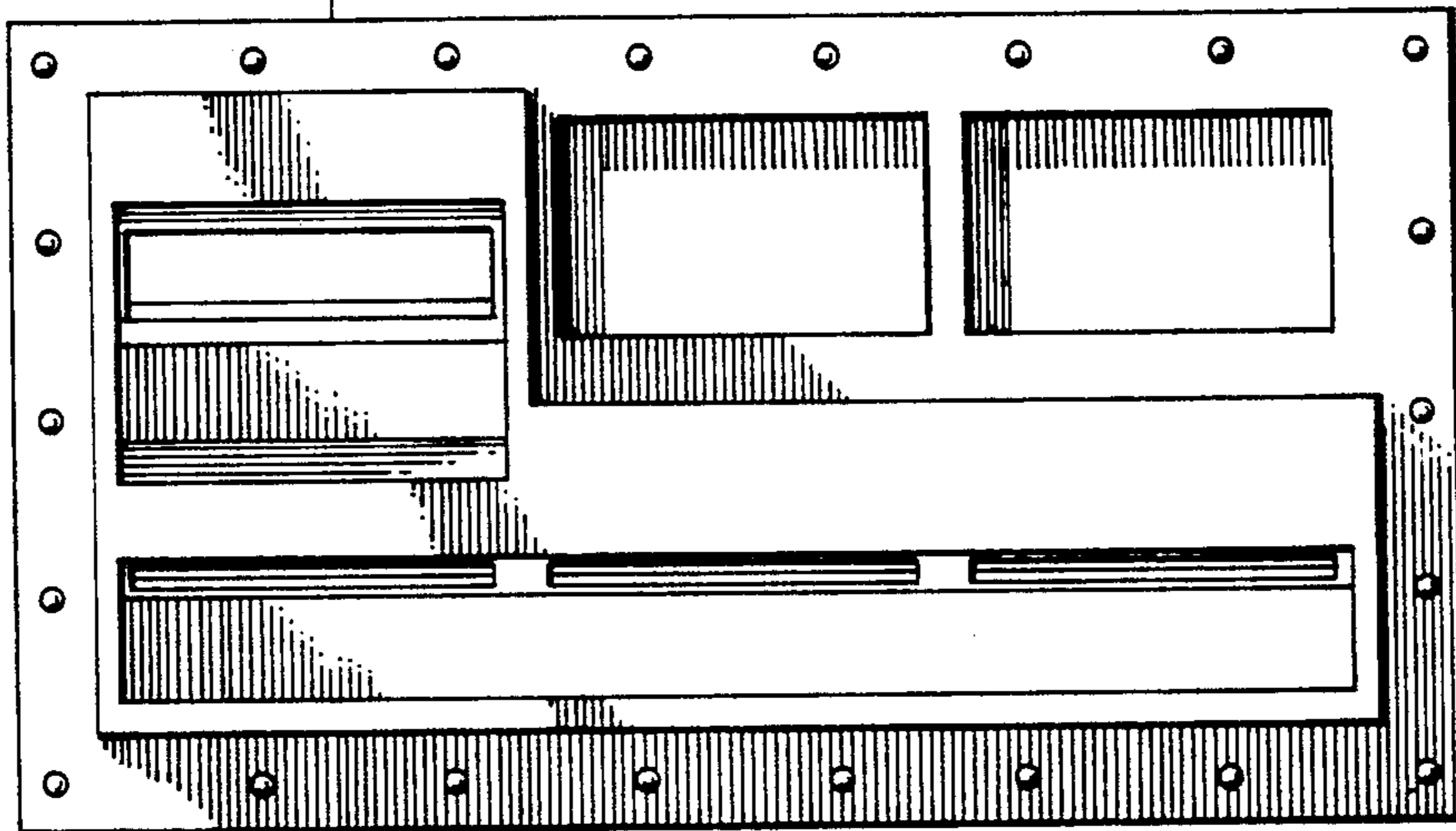






7

Fig. 4



7

Fig. 5

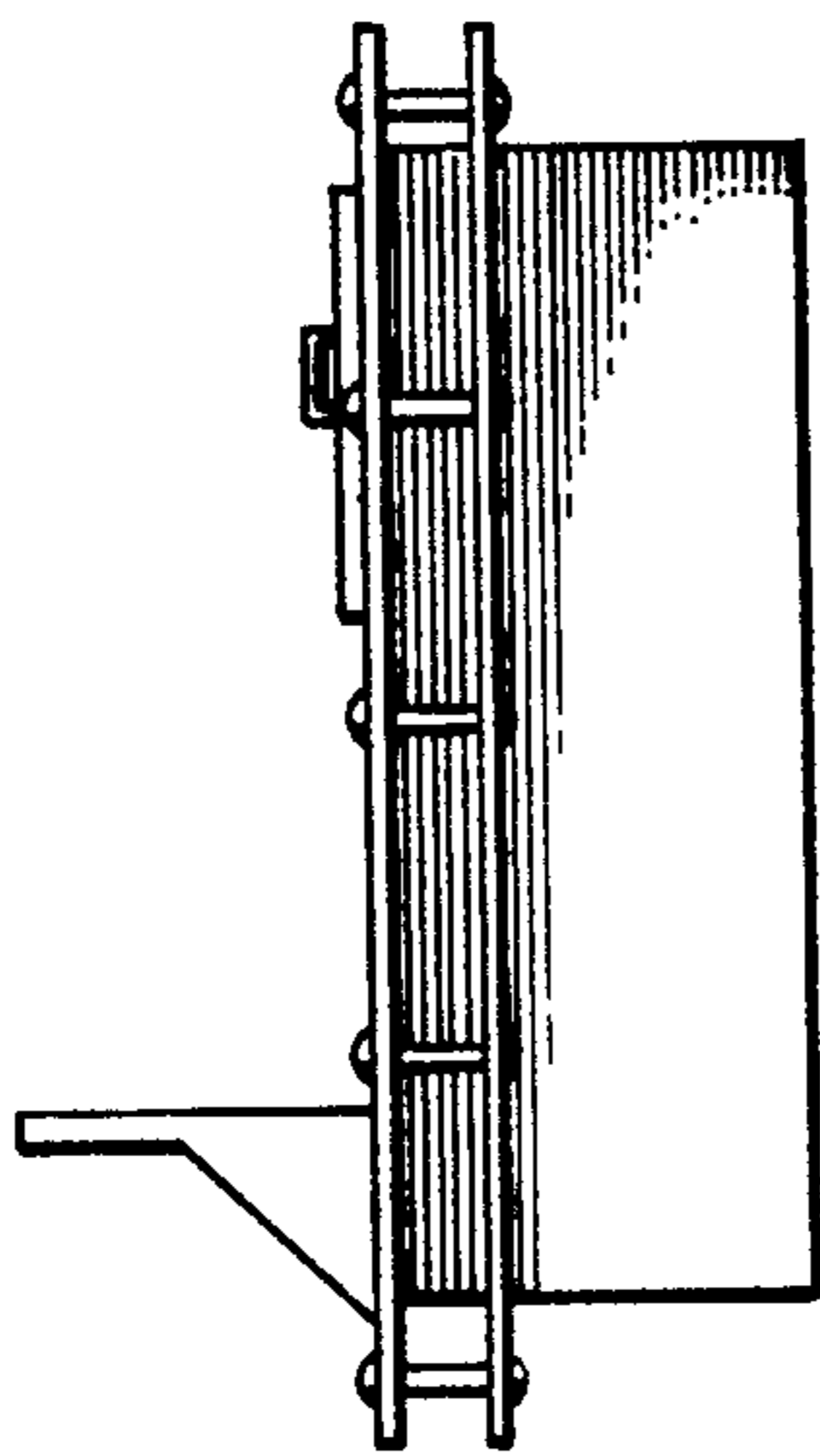


Fig. 6

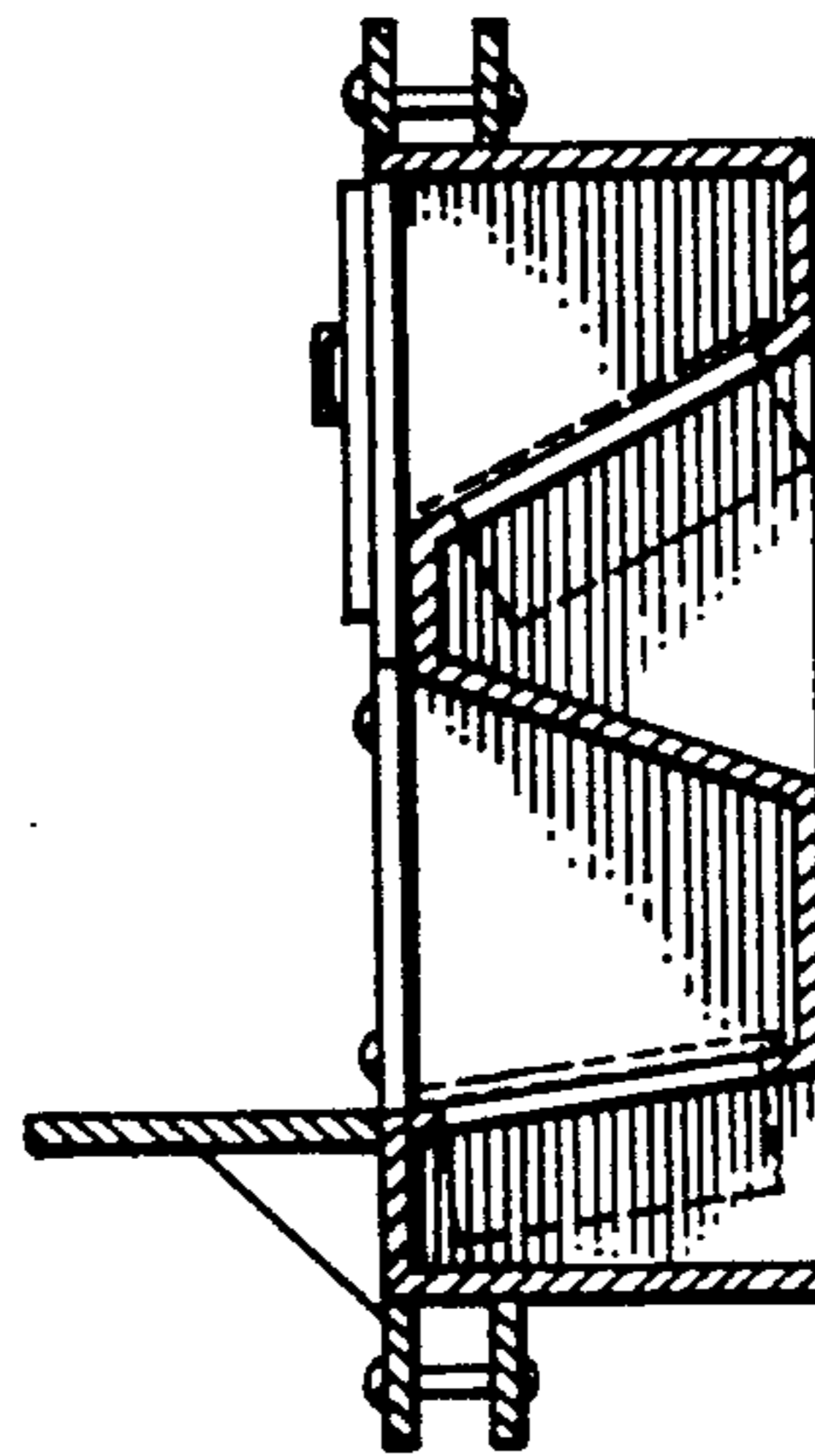


Fig. 7