



US00D334935S

United States Patent [19]

[11] Patent Number: **Des. 334,935**

Goto

[45] Date of Patent: **** Apr. 20, 1993**

[54] SPEAKER

[75] Inventor: **Nobuhiro Goto, Tokyo, Japan**

[73] Assignee: **Seikosha Co., Ltd., Japan**

[**] Term: **14 Years**

[21] Appl. No.: **705,154**

[22] Filed: **May 24, 1991**

[30] Foreign Application Priority Data

Nov. 28, 1990 [JP] Japan 2-39685

[52] U.S. Cl. **D14/216; D14/204**

[58] Field of Search **D14/204, 207-216, D14/219-222; 181/144, 145, 148, 150, 153, 199; 381/87-90**

[56] References Cited

U.S. PATENT DOCUMENTS

D. 282,065	1/1986	Piercy	D14/224
D. 287,582	1/1987	Dayan	D14/215
4,005,761	2/1977	Okamoto et al.	181/150

OTHER PUBLICATIONS

High Fidelity Jan./1987 p. 53, speaker right side.
Crutchfield Fall 88/Winter 89, p. 28 Pioneer TS-1018
Speaker.

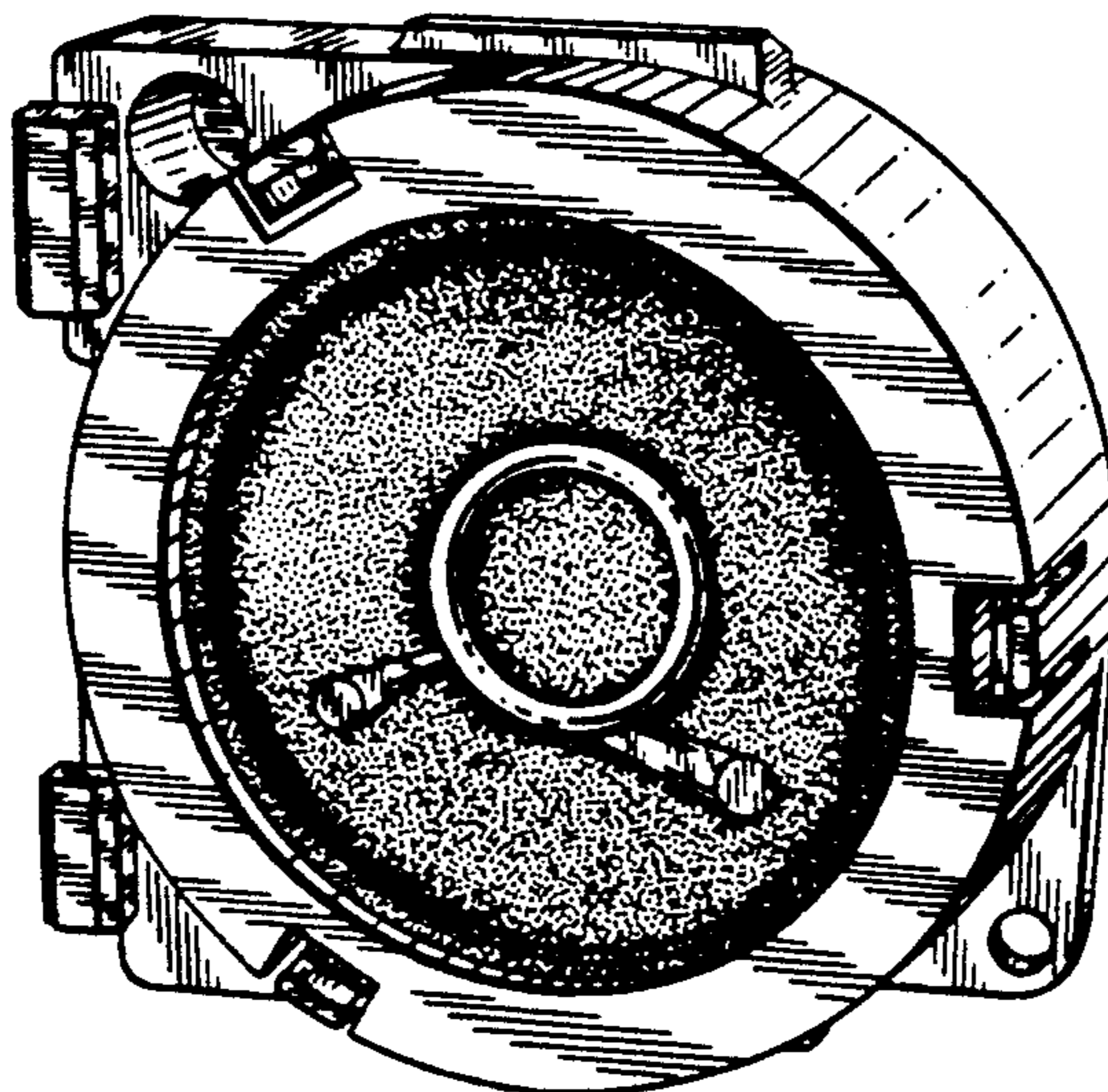
Primary Examiner—Bernard Ansher
Assistant Examiner—Sandra Morris
Attorney, Agent, or Firm—Bruce L. Adams; Van C. Wilks

[57] CLAIM

The ornamental design for a speaker, as shown and described.

DESCRIPTION

FIG. 1 is a front elevational view of a speaker showing my new design;
FIG. 2 is a rear elevational view thereof;
FIG. 3 is a top plan view thereof;
FIG. 4 is a bottom plan view thereof;
FIG. 5 is a left side elevational view thereof;
FIG. 6 is a right side elevational view thereof;
FIG. 7 is a front right perspective view thereof; and,
FIG. 8 is a rear left perspective view thereof.



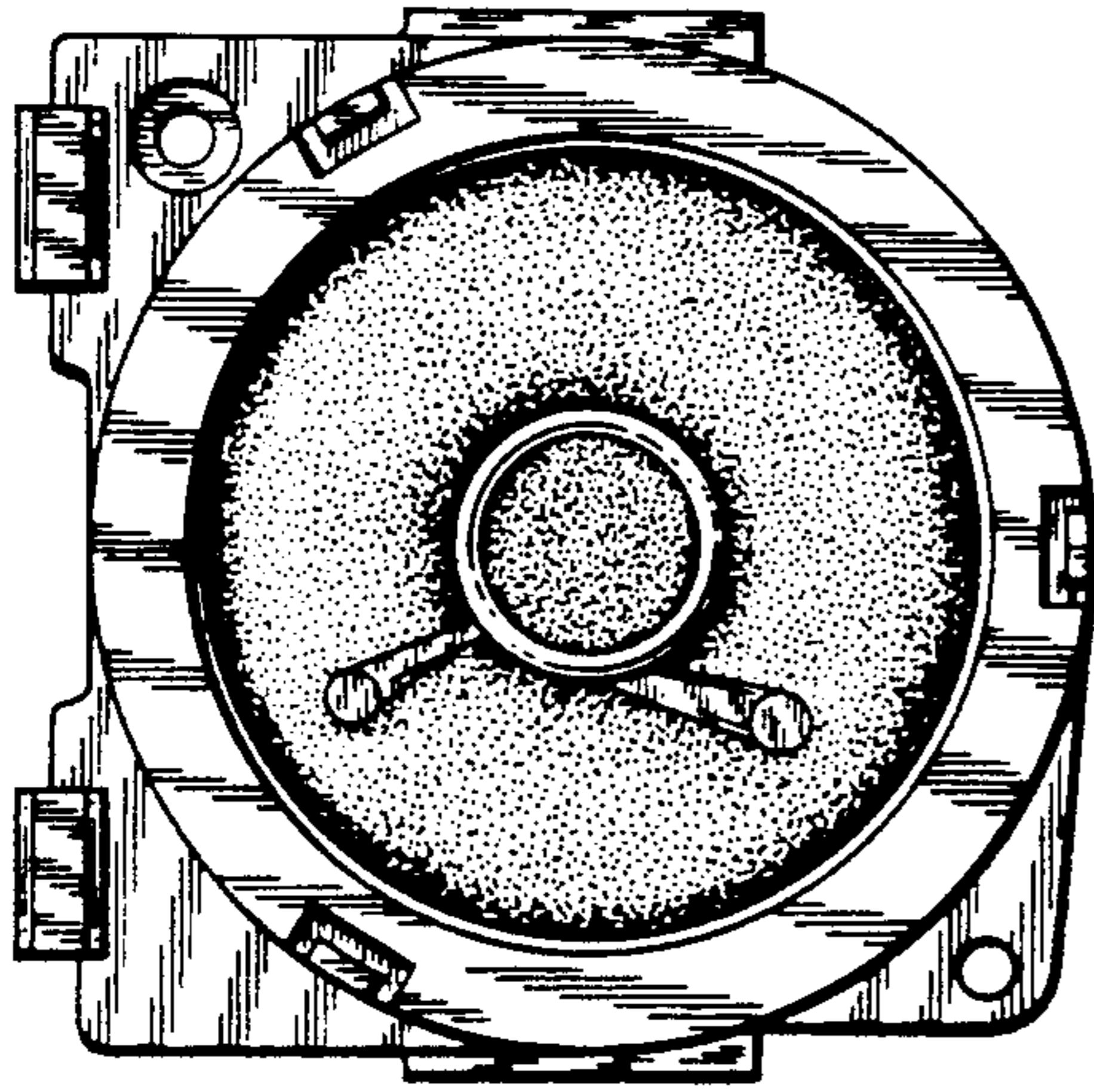


FIG. 1

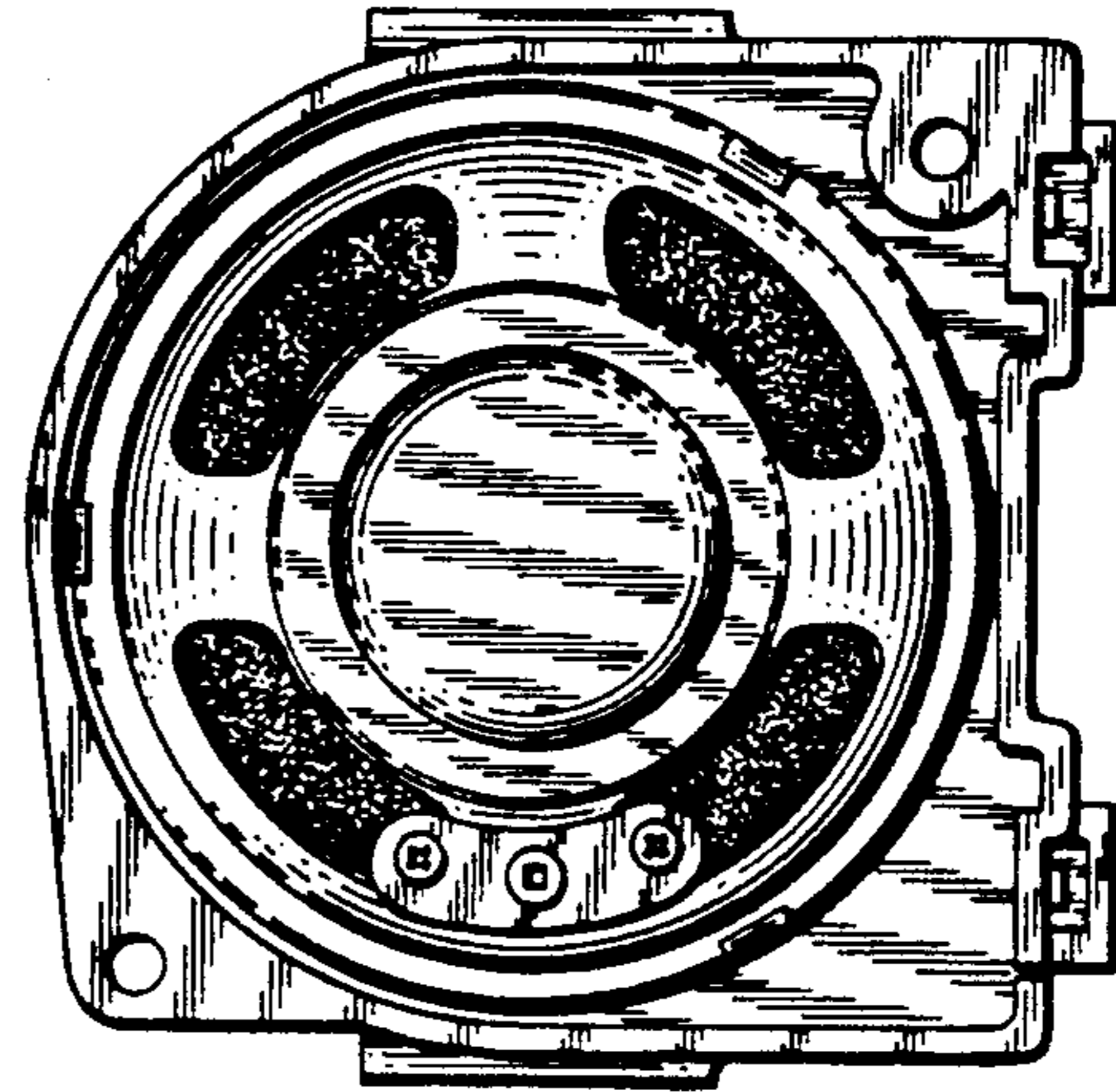


FIG. 2

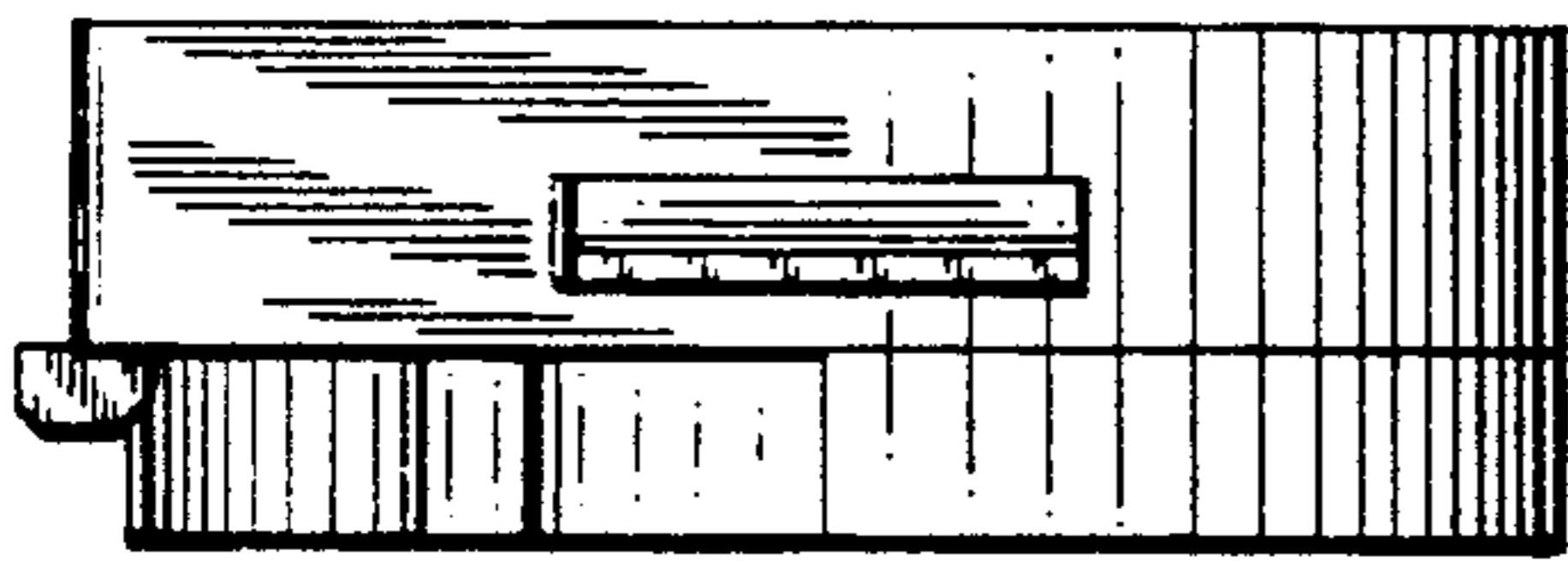


FIG. 3

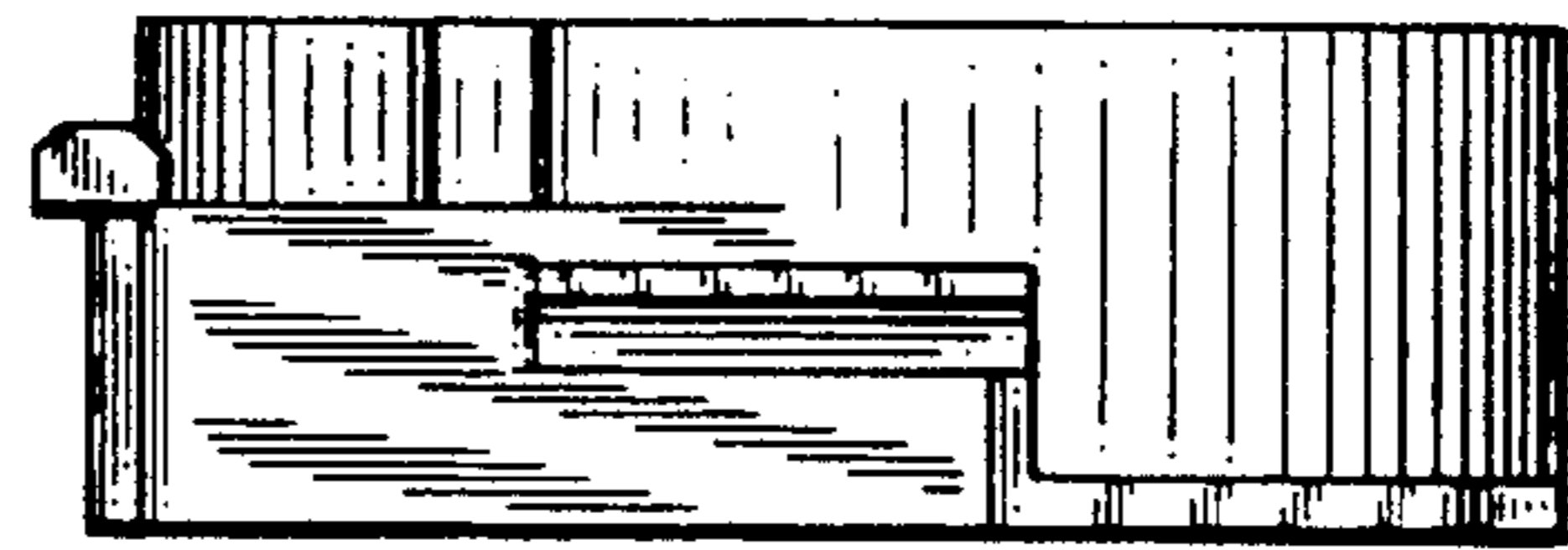


FIG. 4

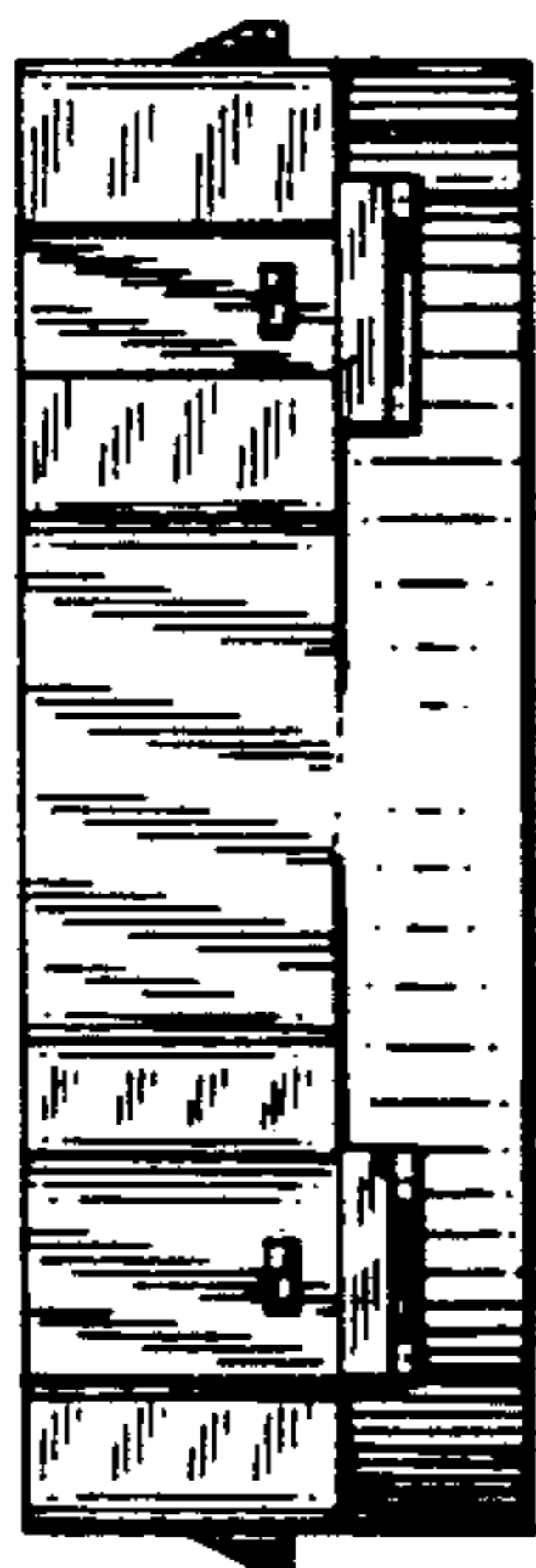


FIG. 5

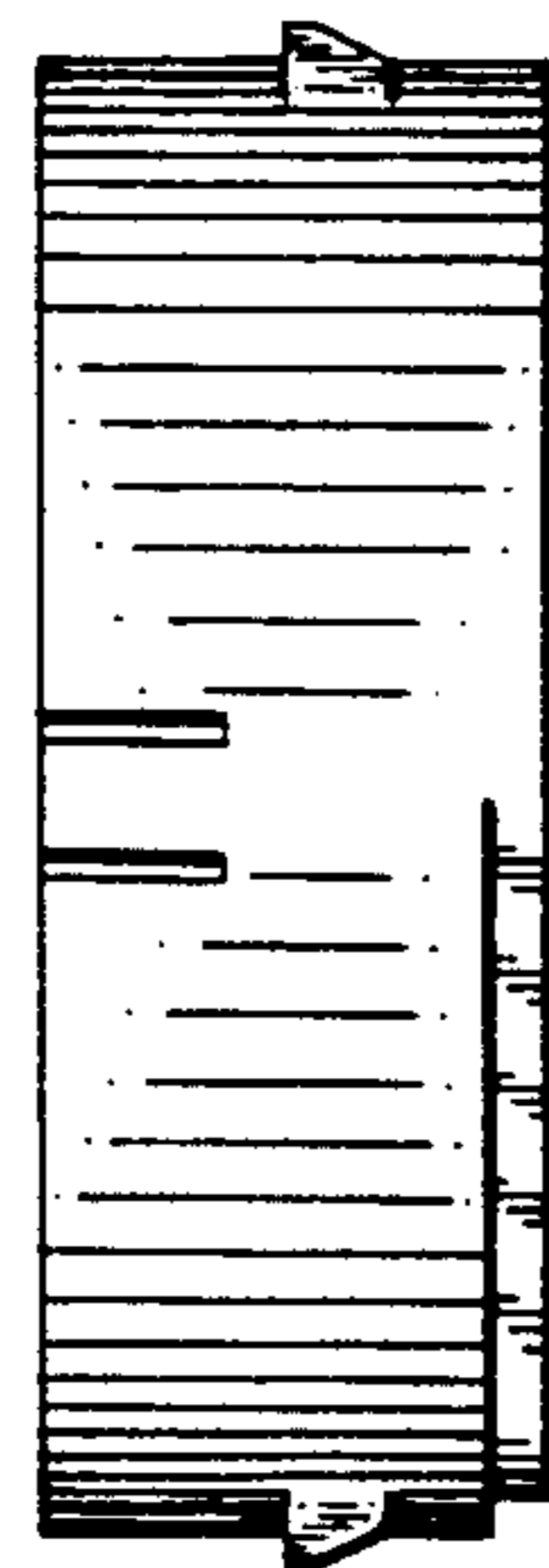


FIG. 6

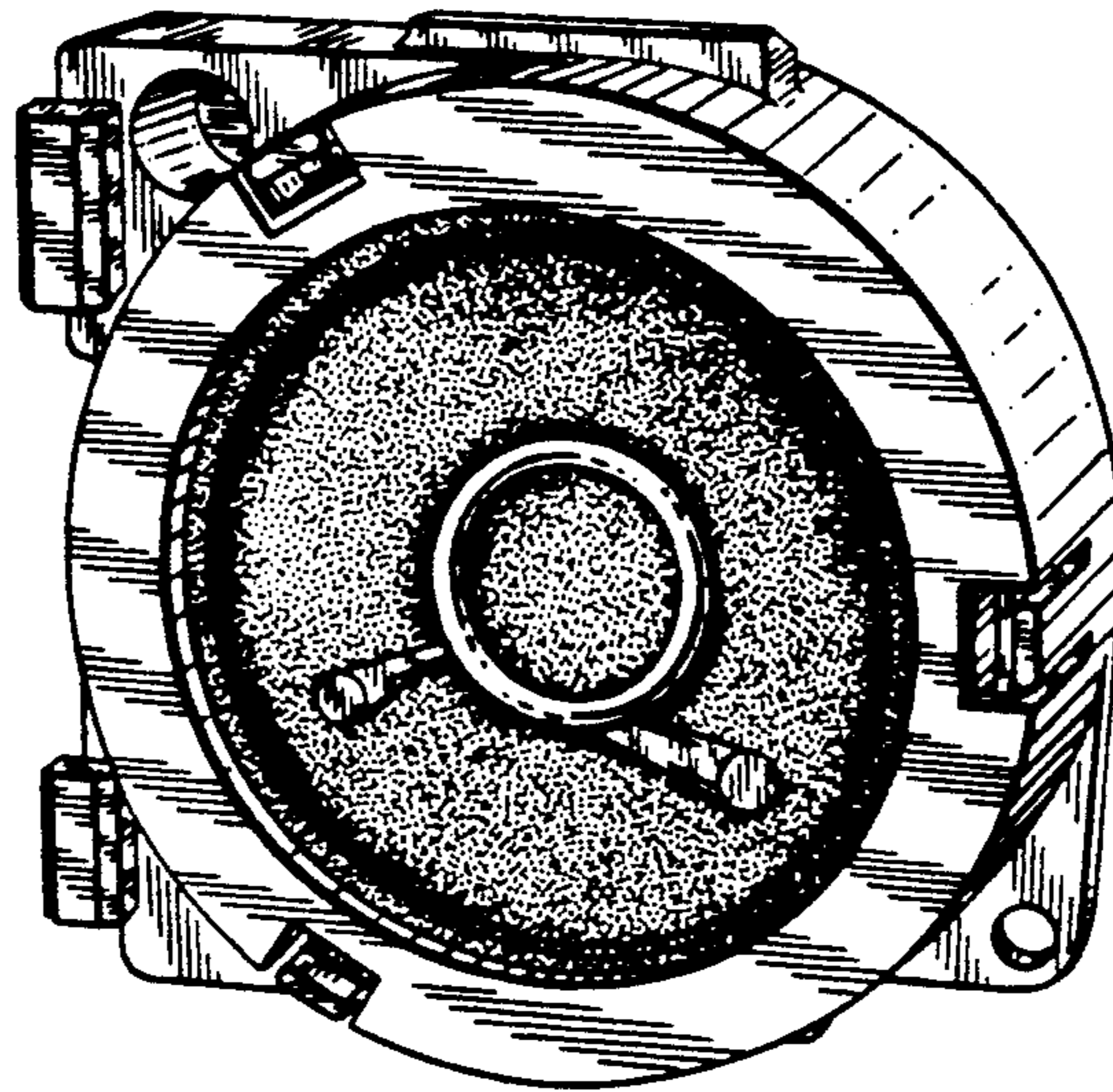


FIG. 7

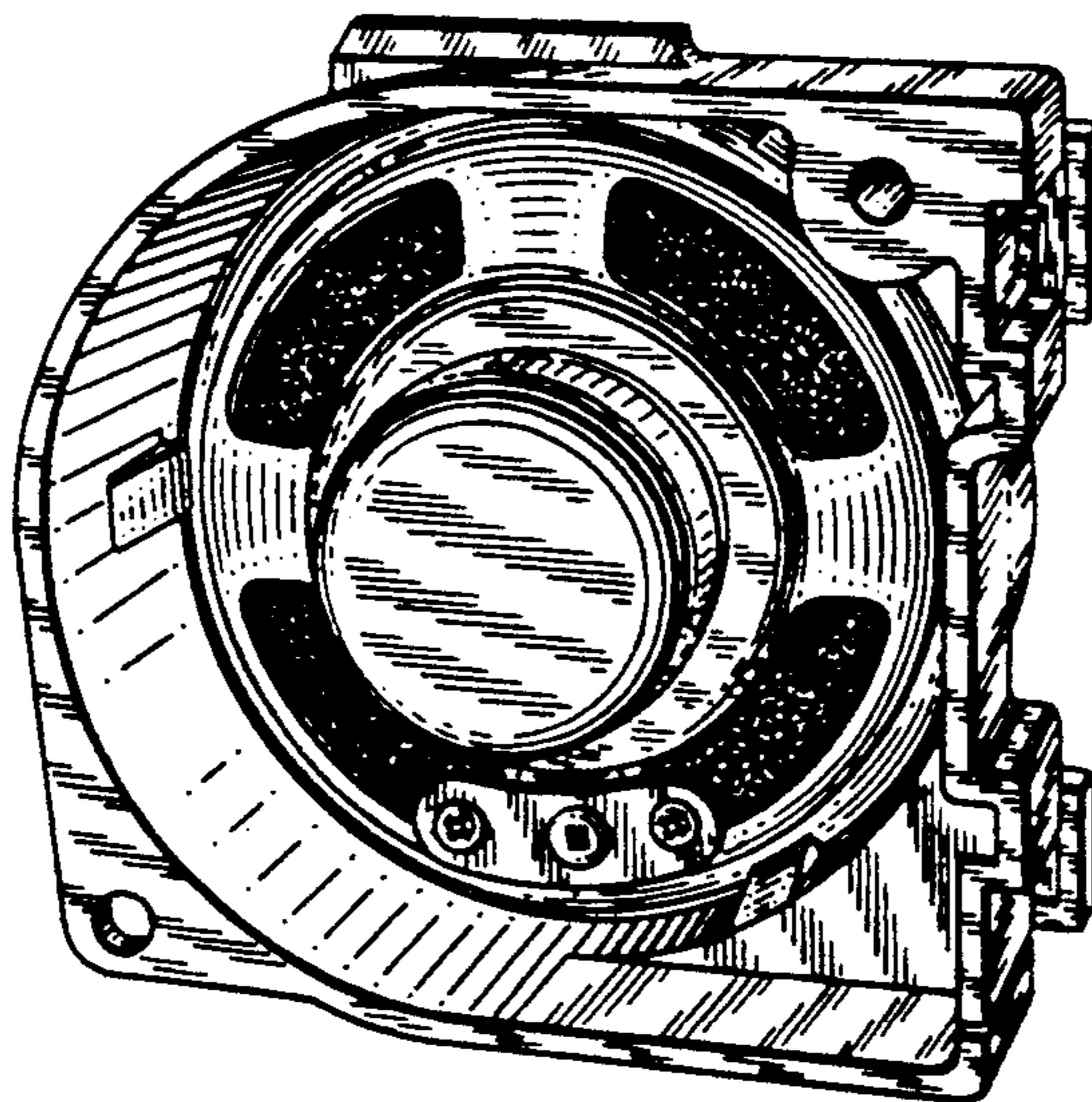


FIG. 8