



US00D334934S

# United States Patent [19] Hsieh

[11] Patent Number: **Des. 334,934**

[45] Date of Patent: **\*\* Apr. 20, 1993**

[54] **VEHICAL BUMPER LOUDSPEAKER**

[76] Inventor: **Chen H. Hsieh, Chen Hsieh Bros., Inc., 17921 Lyons Cir., Huntington Beach, Calif. 92647**

[\*\*] Term: **14 Years**

[21] Appl. No.: **537,270**

[22] Filed: **Jun. 14, 1990**

[52] U.S. Cl. .... **D14/204**

[58] Field of Search ..... **D14/204, 207, 208, 210-216, D14/221; 381/86-88, 182, 184-186, 188-189**

[56] **References Cited**

**U.S. PATENT DOCUMENTS**

D. 169,904	6/1953	Hoodwin	.....	D14/204
D. 249,941	10/1978	Bremseth	.....	D14/204
D. 261,642	11/1981	Babb	.....	D14/215
D. 264,841	6/1982	Pickrel	.....	D14/204
D. 270,532	9/1983	Weinstein	.....	D14/214
D. 275,852	10/1984	Brisson	.....	D14/204
4,811,403	3/1989	Henricksen et al.	.....	381/87

**OTHER PUBLICATIONS**

Radio Shack Catlaog, p. 49 4"Powerhorn.  
Fordham Catalog 1988 vol. 14, No. 2 p. 100 Bogen  
All-Weather High Fidelity Coaxial Projector.

*Primary Examiner*—Bernard Ansher  
*Assistant Examiner*—Sandra Morris  
*Attorney, Agent, or Firm*—Don H. Haycock

[57] **CLAIM**

The ornamental design for a vehicle bumper loudspeaker, as shown and described.

**DESCRIPTION**

FIG. 1 is a perspective view of a vehicle bumper loudspeaker showing my new design, the mounting bracket is shown positioned on the right;  
FIG. 2 is a front elevational view thereof, the mounting bracket shown positioned underneath;  
FIG. 3 is a rear elevational view thereof;  
FIG. 4 is a left side elevational view thereof, the right side being identical;  
FIG. 5 is a top plan view thereof; and,  
FIG. 6 is a bottom plan view thereof.

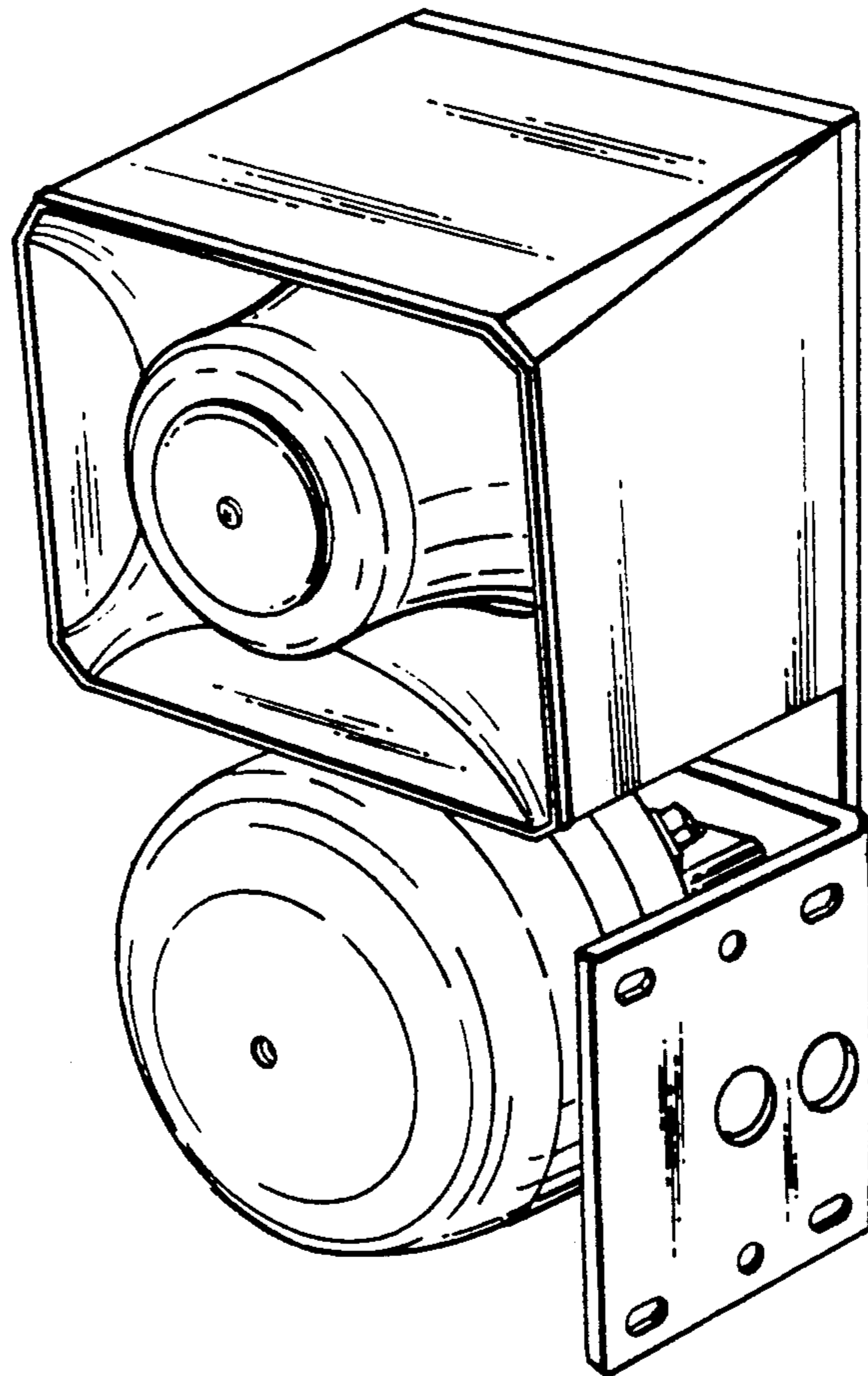


Fig. 1.

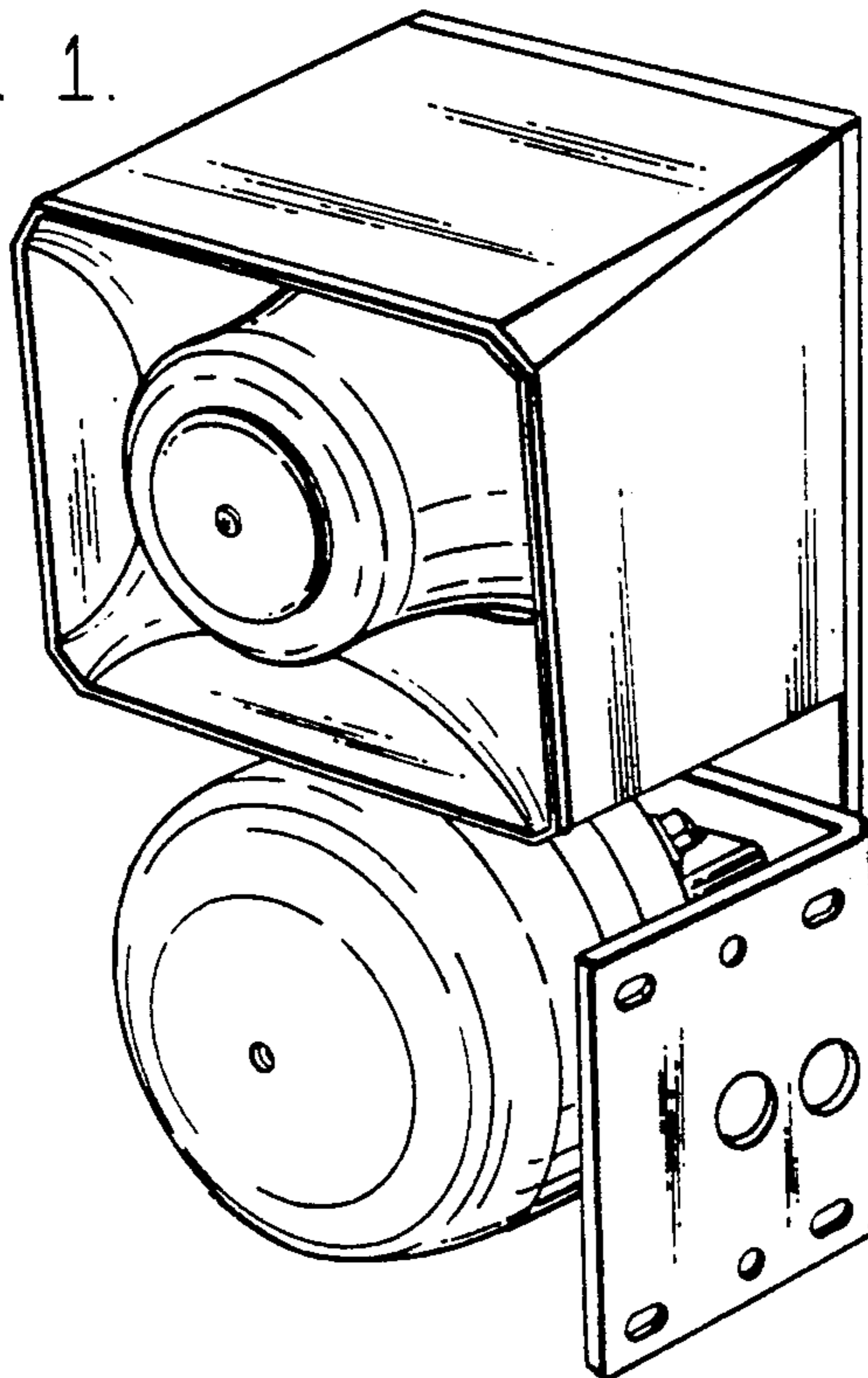


Fig. 2.

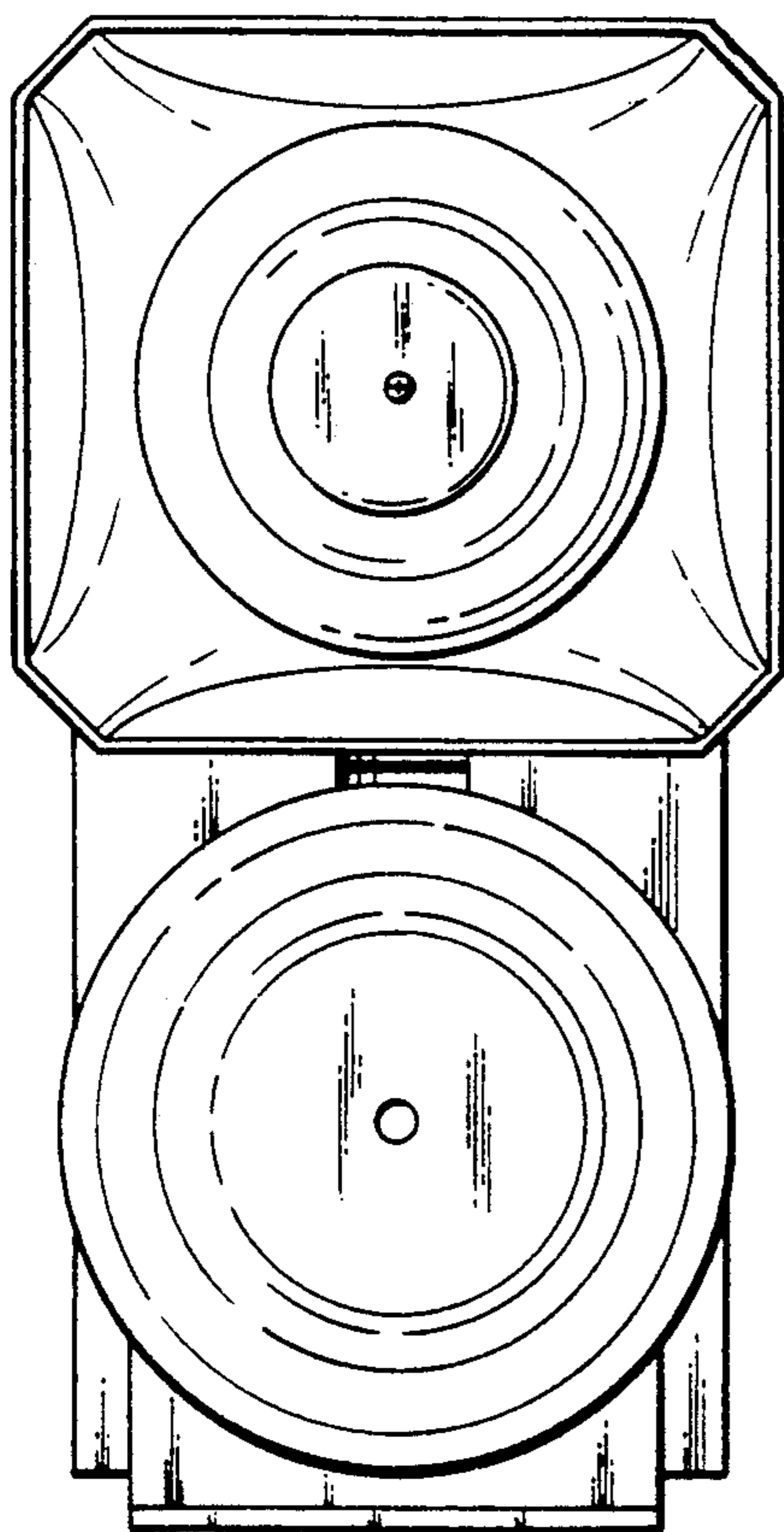
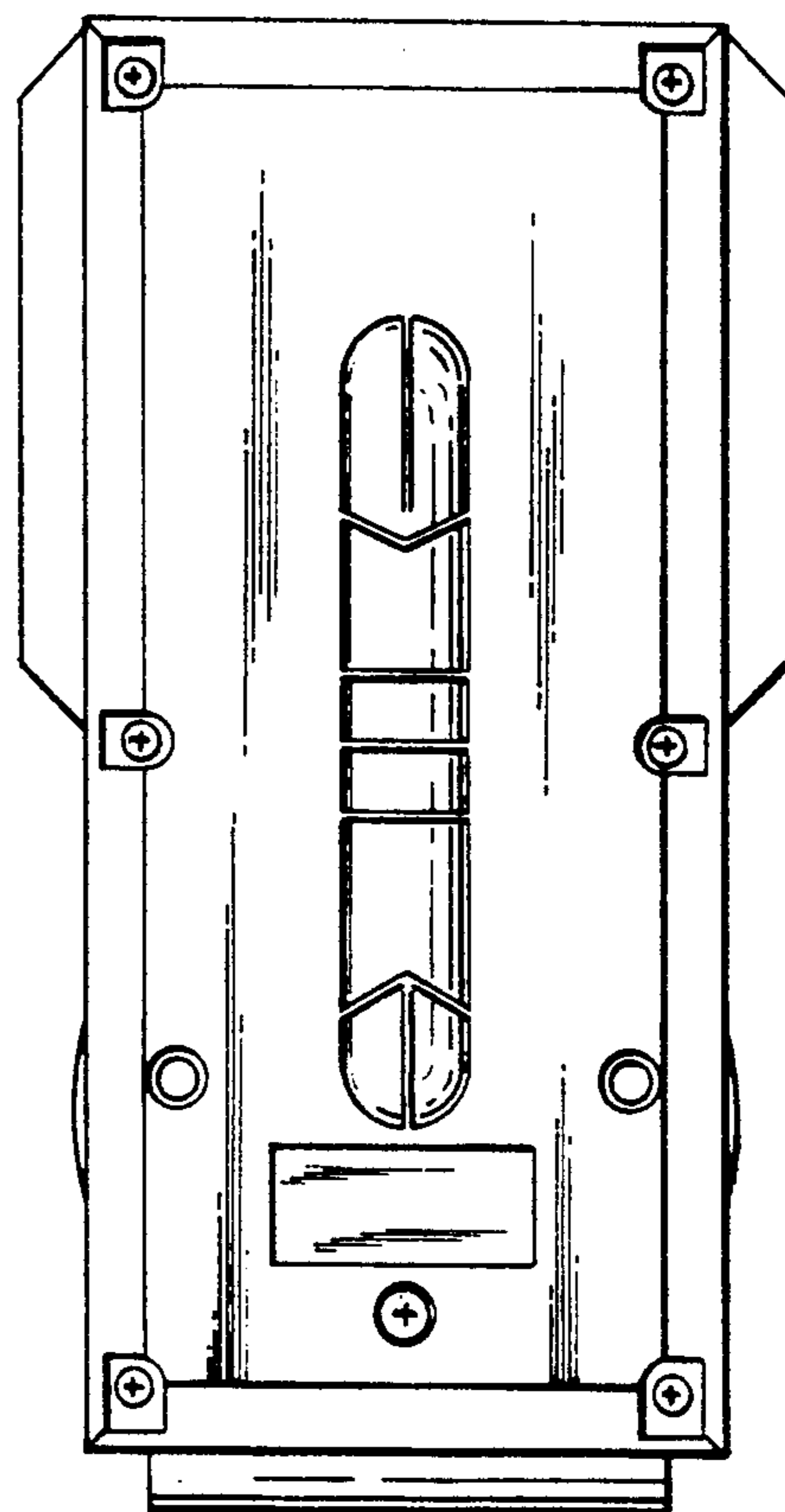


Fig. 3.



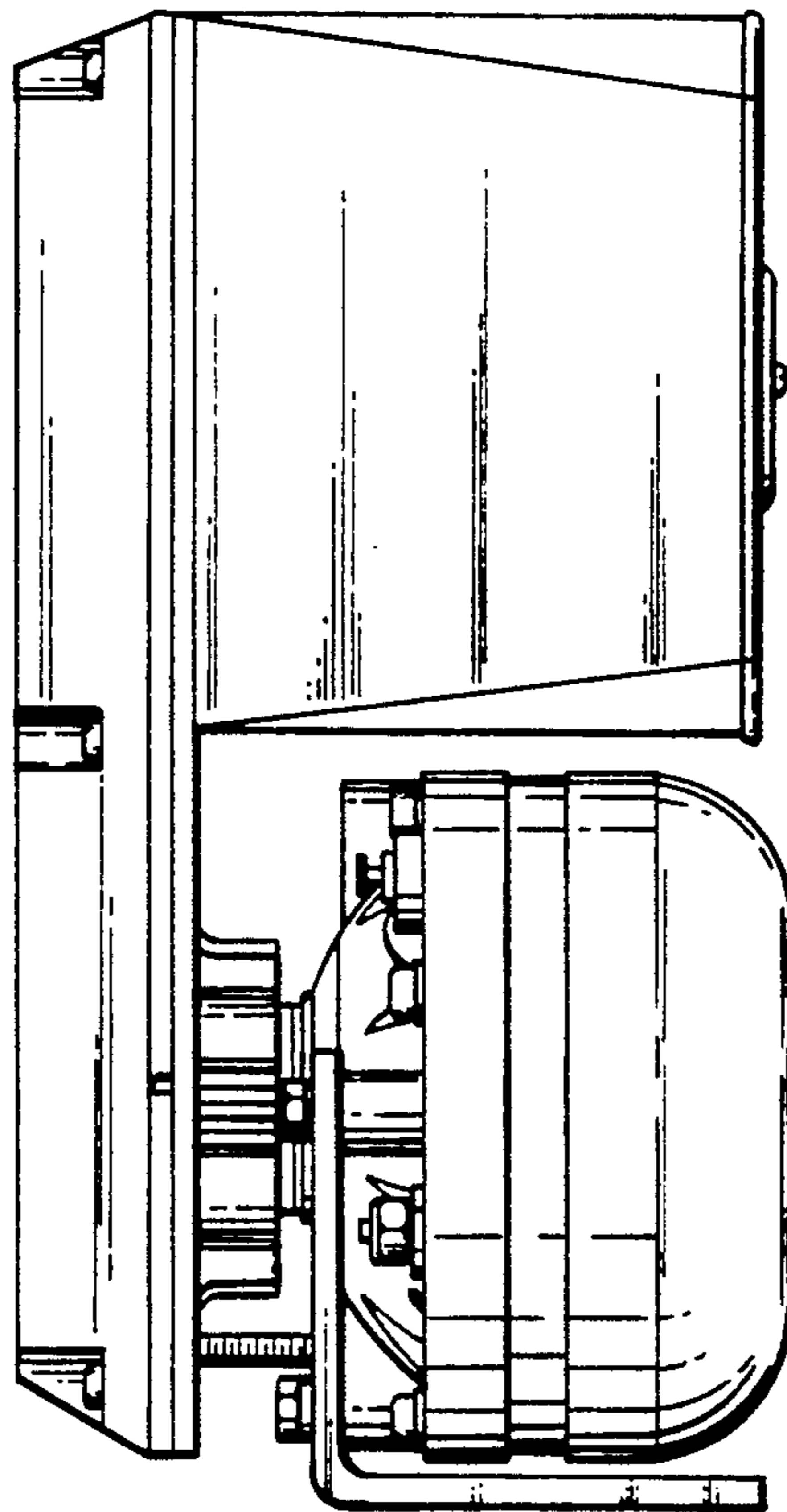


Fig. 4.

Fig. 5.

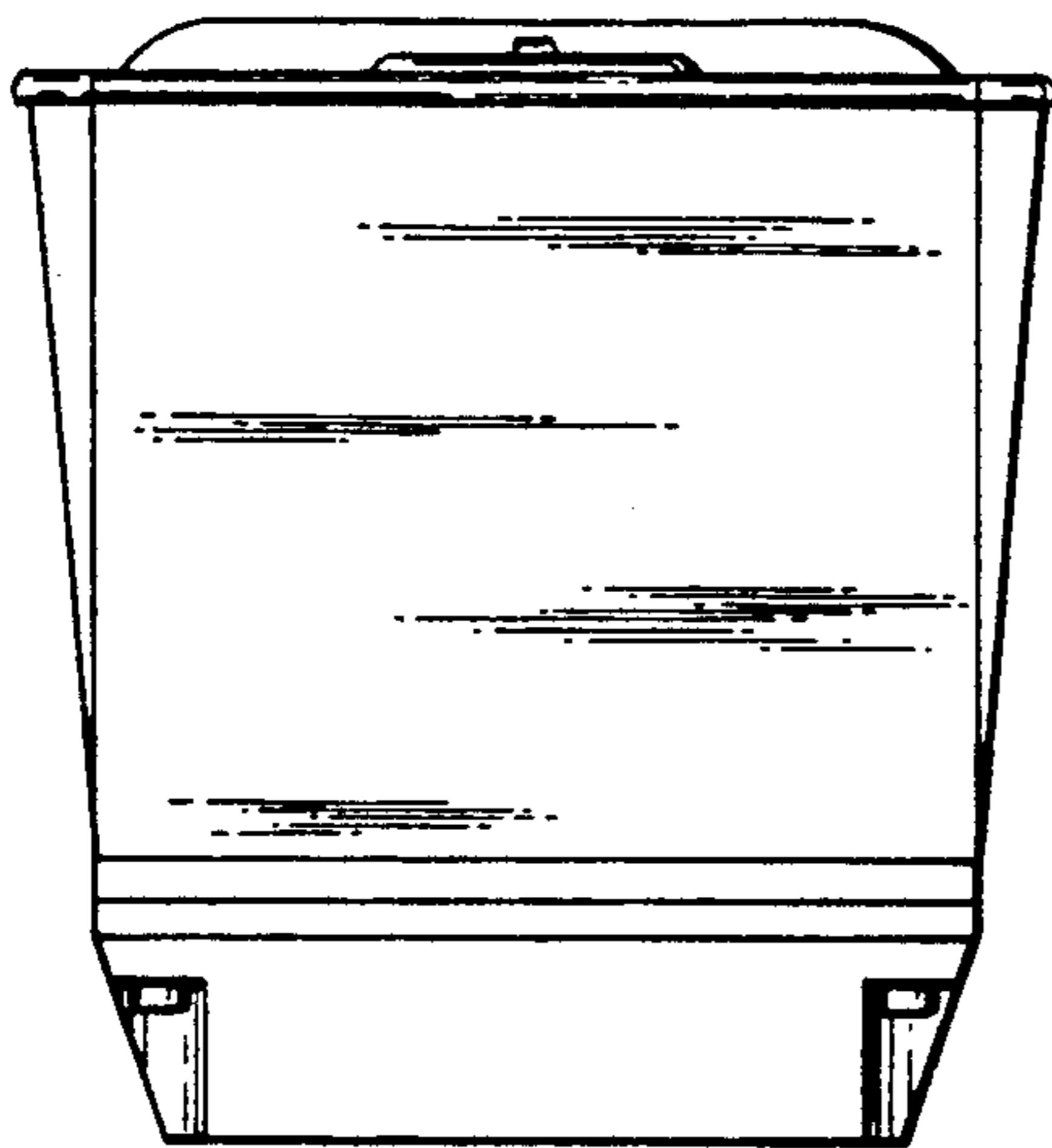


Fig. 6.

