



US00D334929S

# United States Patent [19]

[11] Patent Number: **Des. 334,929**

Ito et al.

[45] Date of Patent: **\*\* Apr. 20, 1993**

## [54] TAPE RECORDER

[75] Inventors: **Masafumi Ito**, Tokyo; **Minoru Sube**, Hachioji; **Haruki Takita**, Tokyo; **Hiroyuki Watanabe**, Hanno; **Yukio Iikura**, Asaka, all of Japan

[73] Assignee: **TEAC Corporation**, Japan

[\*\*] Term: **14 Years**

[21] Appl. No.: **670,224**

[22] Filed: **Mar. 15, 1991**

### [30] Foreign Application Priority Data

Sep. 19, 1990 [JP] Japan ..... 31472

[52] U.S. Cl. .... **D14/164**

[58] Field of Search ..... D14/160-168, D14/154, 188, 192, 194-196; 455/344, 350-351

### [56] References Cited

#### U.S. PATENT DOCUMENTS

D. 312,825	12/1990	Ito et al. ....	D14/161 X
D. 316,860	5/1991	Ito et al. ....	D14/164
D. 319,237	8/1991	Ito et al. ....	D14/161 X
D. 321,192	10/1991	Ito et al. ....	D14/162
D. 327,890	7/1992	Ito et al. ....	D14/164

## OTHER PUBLICATIONS

Audio Review Supplement to Video Review, Nov. 1989, p. 3, Denon cassette deck.

Audio, Aug. 1988, p. 88, Nakamichi CR-4A cassette deck.

Stereo Magazine, Jul. 1990.

*Primary Examiner*—Theodore M. Shooman

*Attorney, Agent, or Firm*—Andrus, Scales, Starke & Sawall

## [57] CLAIM

The ornamental design for a tape recorder, as shown and described.

## DESCRIPTION

FIG. 1 is a top plan view of a tape recorder showing our new design;

FIG. 2 is a bottom plan view thereof;

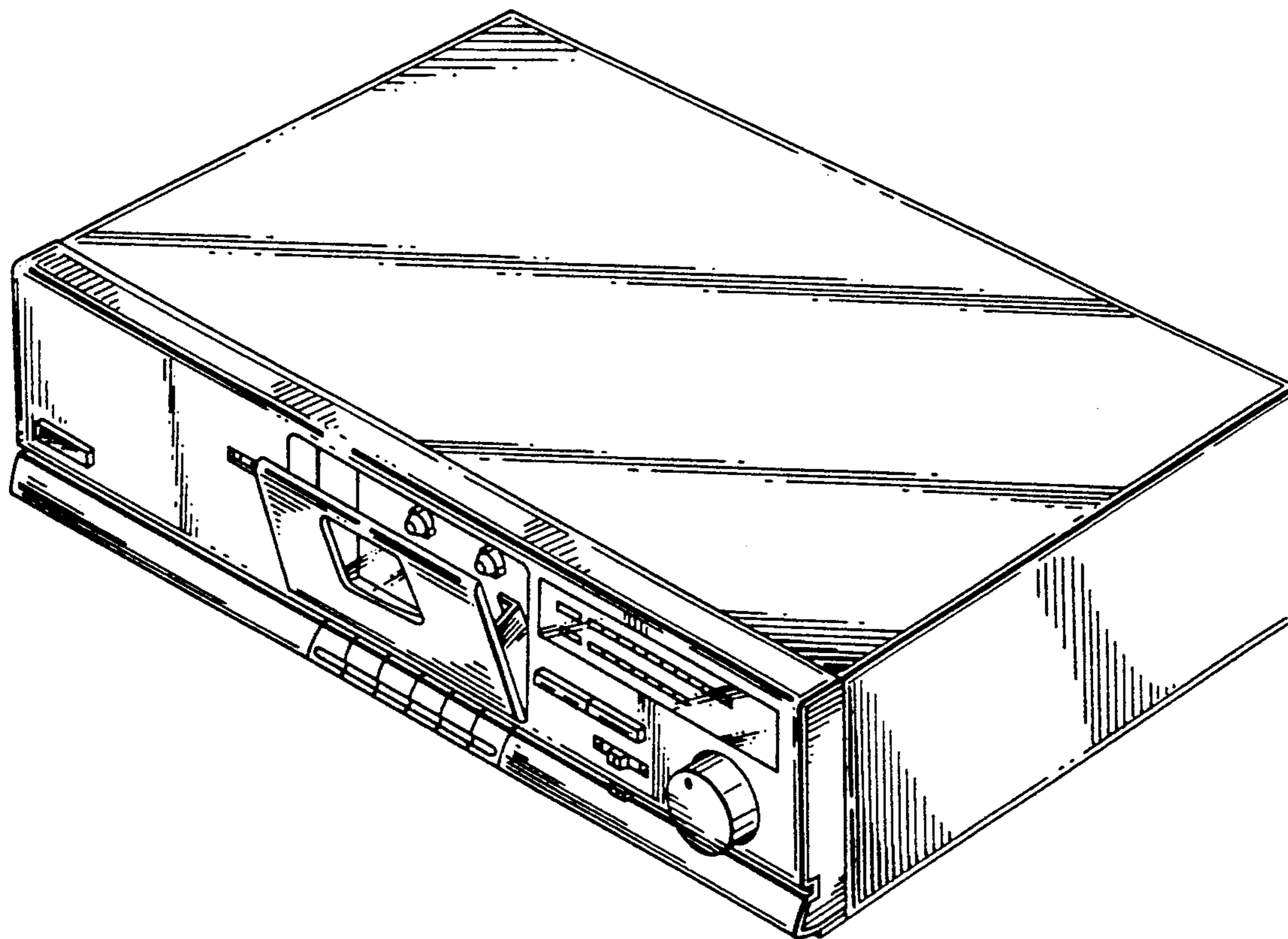
FIG. 3 is a front elevational view thereof;

FIG. 4 is a rear elevational view thereof;

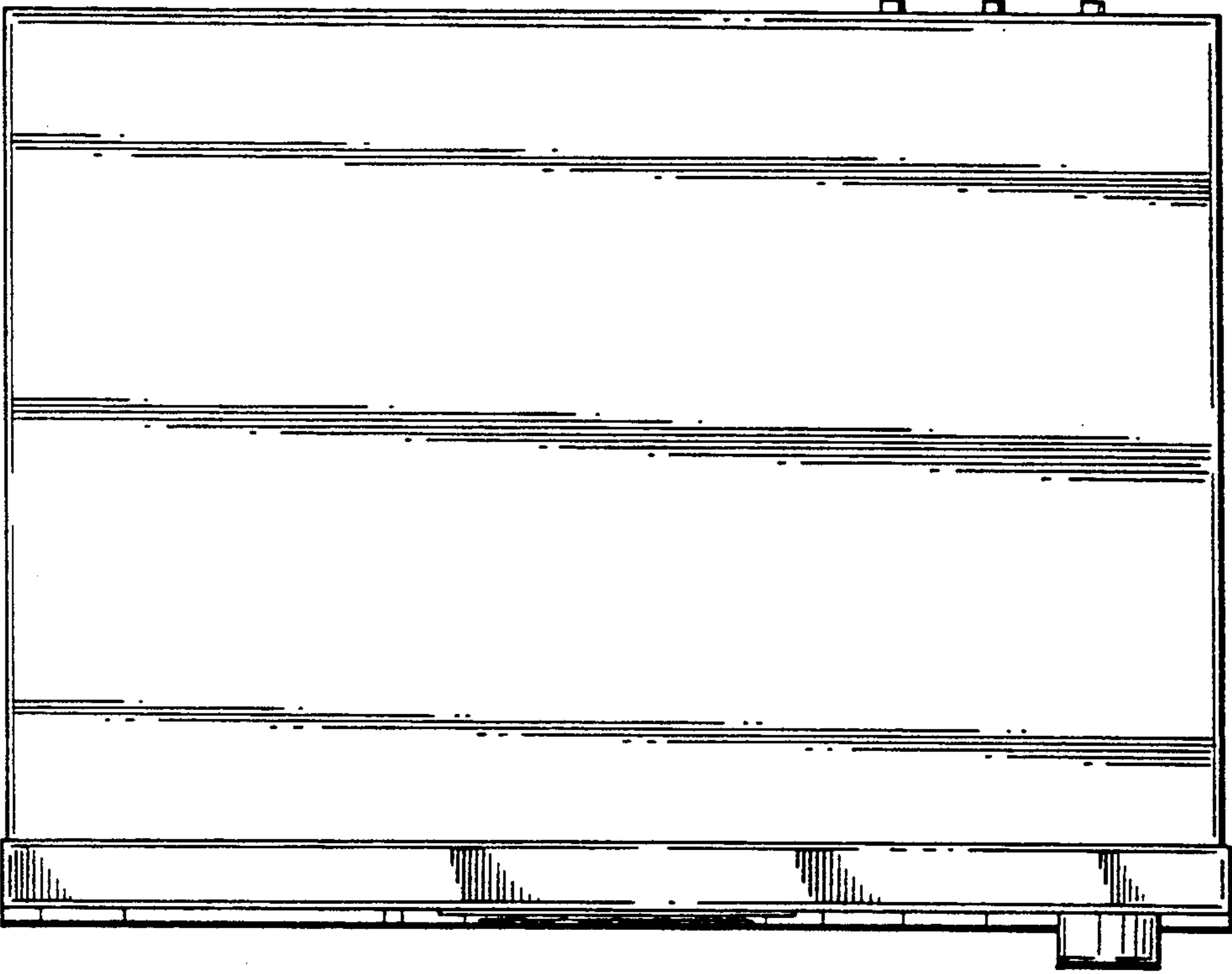
FIG. 5 is a left side elevational view thereof;

FIG. 6 is a right side elevational view thereof; and,

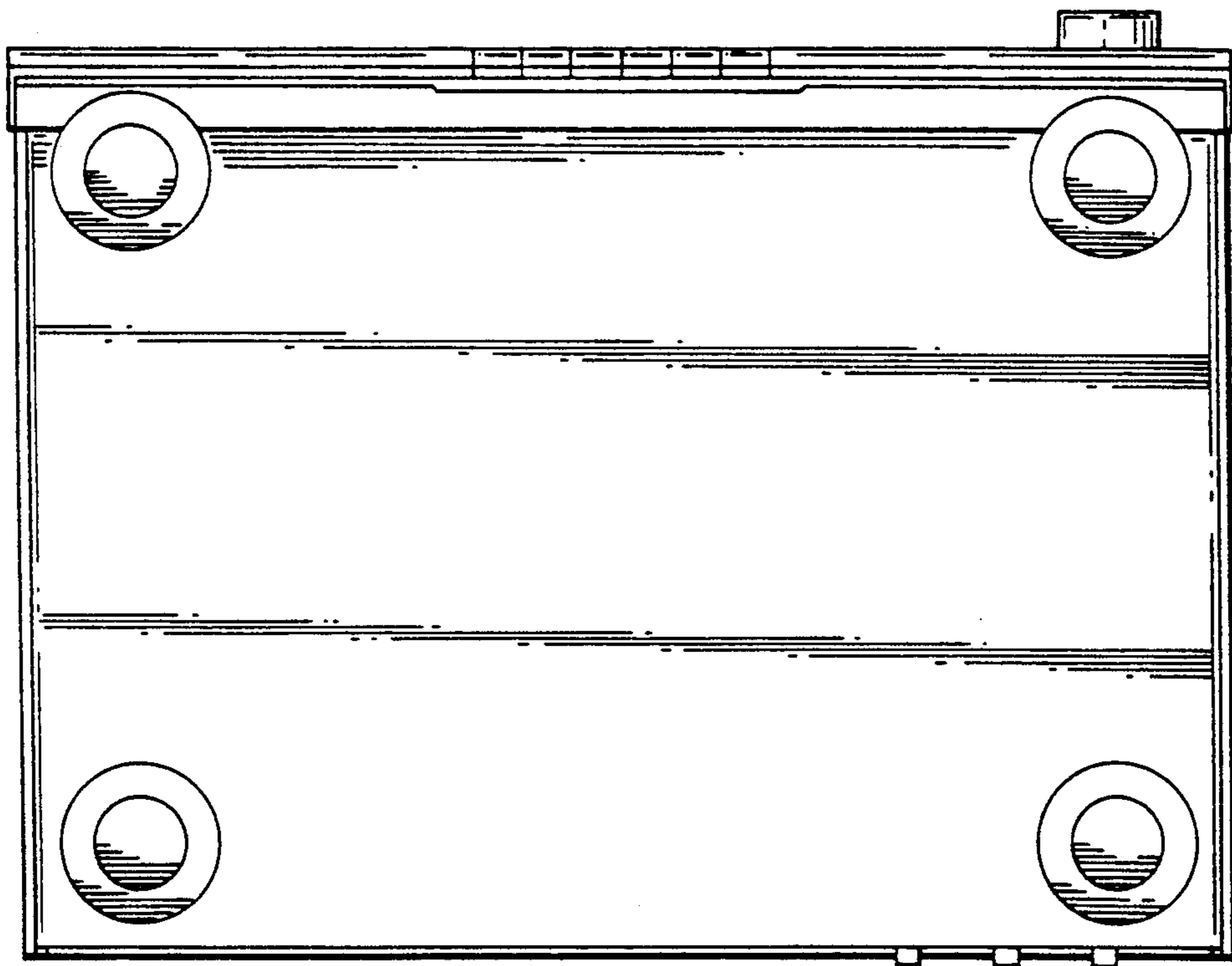
FIG. 7 is a top, front and right side perspective view thereof, shown in an open condition.



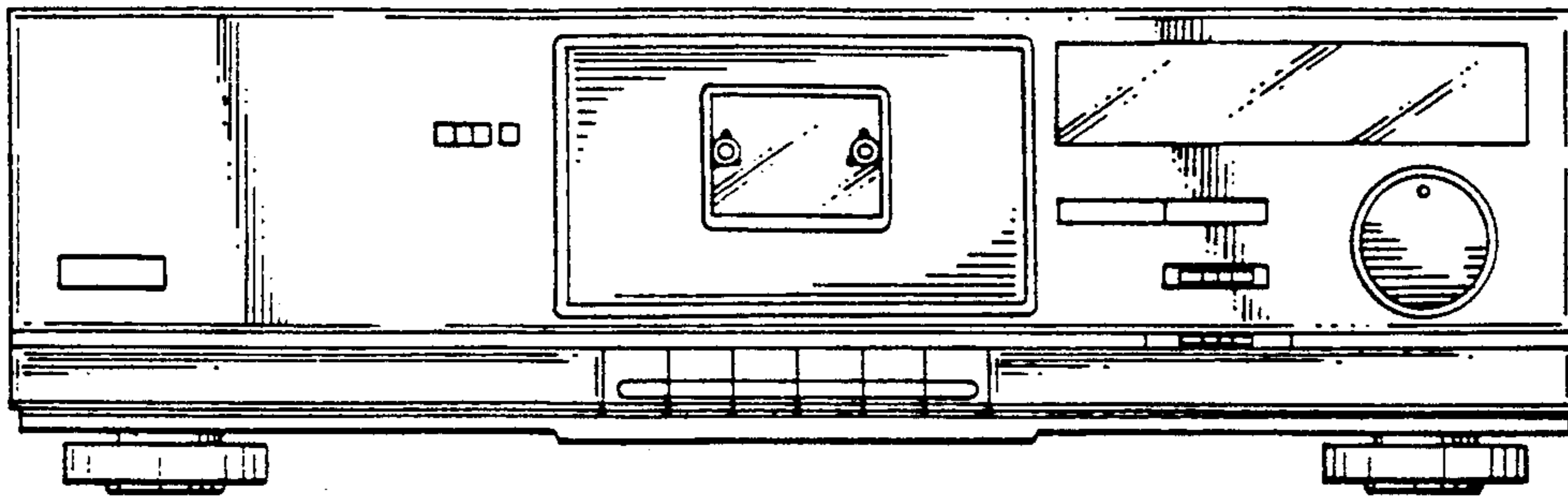
*FIG. 1*



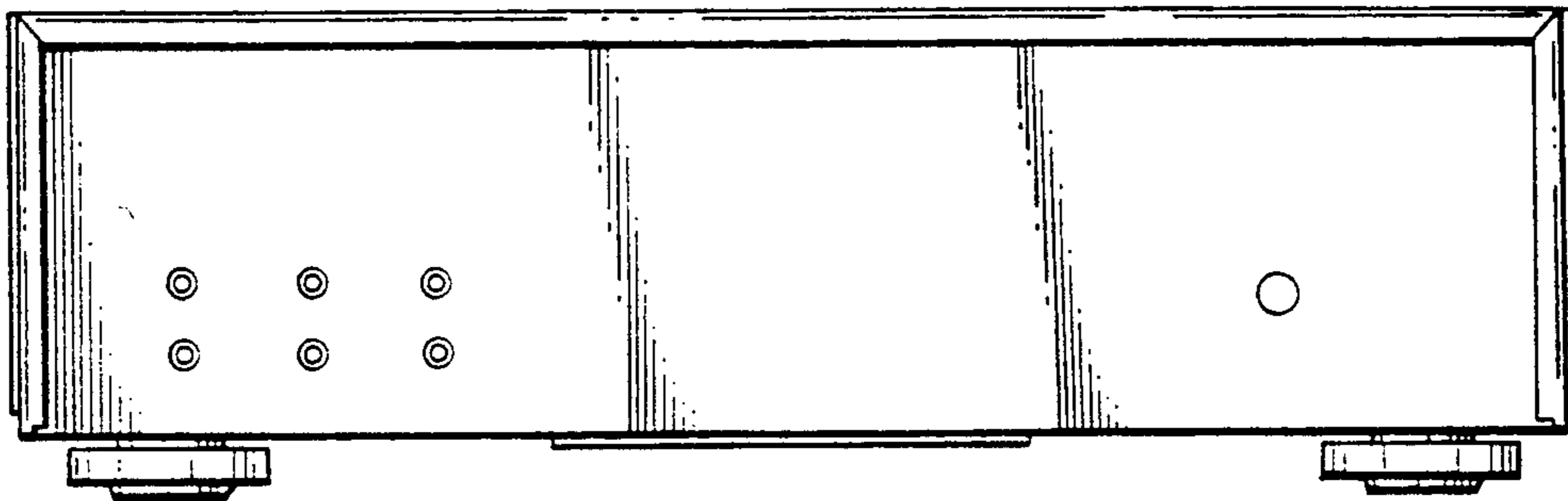
**FIG. 2**



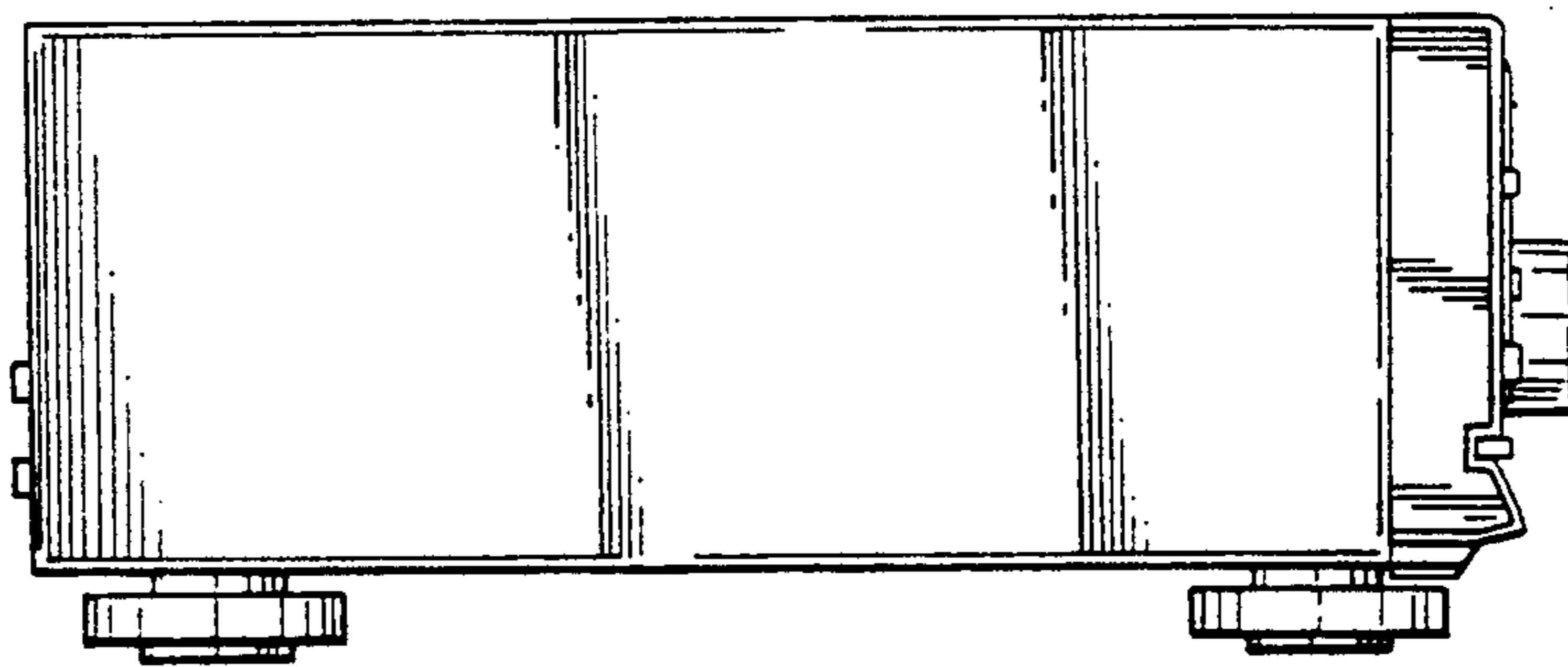
**FIG. 3**



**FIG. 4**



**FIG. 5**



**FIG. 6**

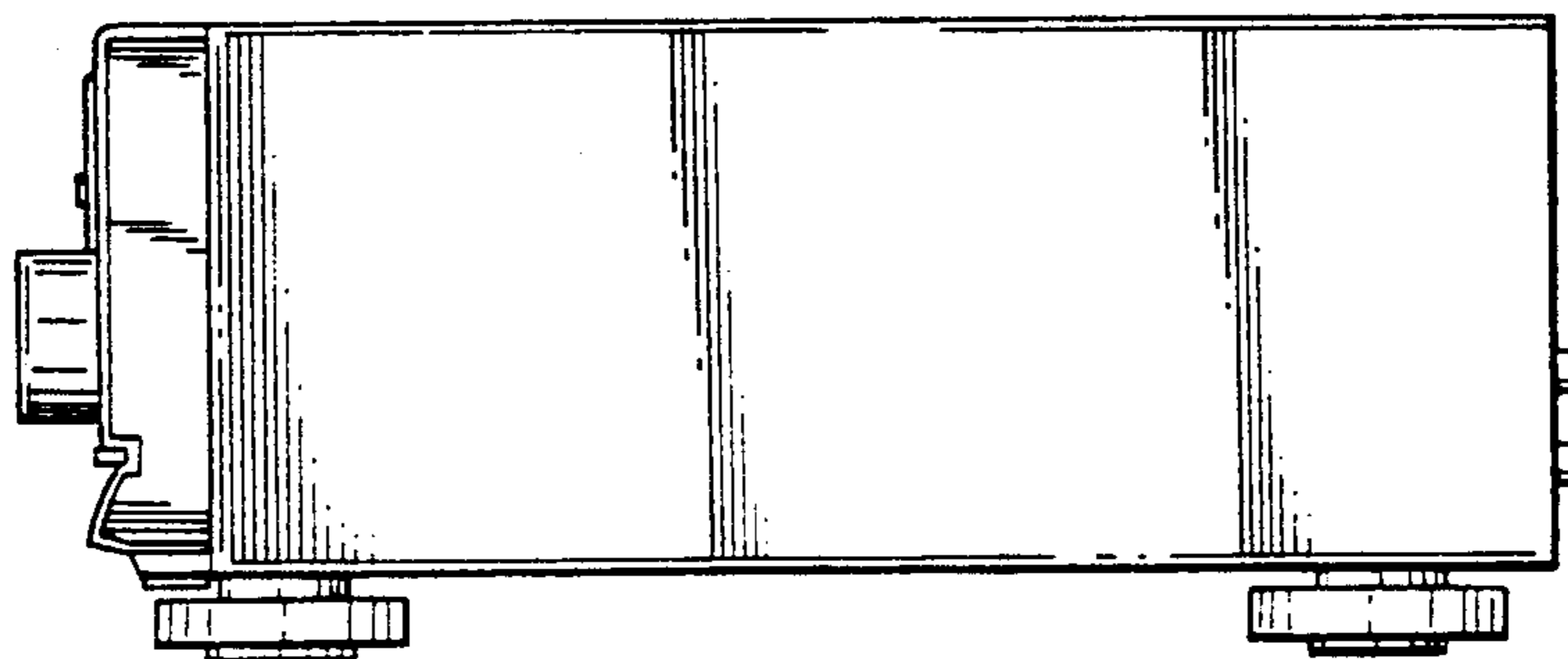




FIG. 7

