



US00D334927S

United States Patent [19]

[11] Patent Number: **Des. 334,927**

Gobindram

[45] Date of Patent: **** Apr. 20, 1993**

[54] TELEPHONE SET

[75] Inventor: **Kash Gobindram, Ronkonkoma, N.Y.**

[73] Assignee: **Chandiramani, Gobindram Lokumal, Singapore**

[**] Term: **14 Years**

[21] Appl. No.: **710,904**

[22] Filed: **Jun. 5, 1991**

[52] U.S. Cl. **D14/143**

[58] Field of Search **D14/143; D12/107, 110, D12/108; D21/14; 439/433, 434**

- D. 291,570 8/1987 Basch D14/143
- D. 299,446 1/1989 Kohama et al. D12/110
- D. 299,447 1/1989 Sakuma et al. D12/110
- D. 305,009 12/1989 Kanazawa et al. D12/110
- D. 305,758 1/1990 Wilson D14/143
- D. 321,849 11/1991 Abe et al. D12/110

OTHER PUBLICATIONS

Cycle World; Feb. 1989; Cover and Magazine Center, Yamaha.

Cycle World; Oct. 1990; Cover; and p. 30.

Cycle World; Jun. 1990; Cover and p. 78.

Primary Examiner—Horace B. Fay, Jr.

Attorney, Agent, or Firm—Cooper & Dunham

[56] References Cited

U.S. PATENT DOCUMENTS

- D. 158,133 4/1950 Salisbury D12/108
- D. 164,067 7/1951 Sebel D12/108
- D. 170,115 8/1953 Essary D12/108
- D. 216,551 2/1970 Ruby D12/107
- D. 260,888 9/1981 Thomas D21/111
- D. 261,647 11/1981 Thomas D14/143
- D. 261,649 11/1981 Thomas D21/111
- D. 269,171 5/1983 Ikeda et al. D12/110
- D. 269,779 7/1983 Bevilacqua et al. D14/143
- D. 274,921 7/1984 Nakao et al. D21/111
- D. 275,381 9/1984 Fernandez et al. D12/107

[57] CLAIM

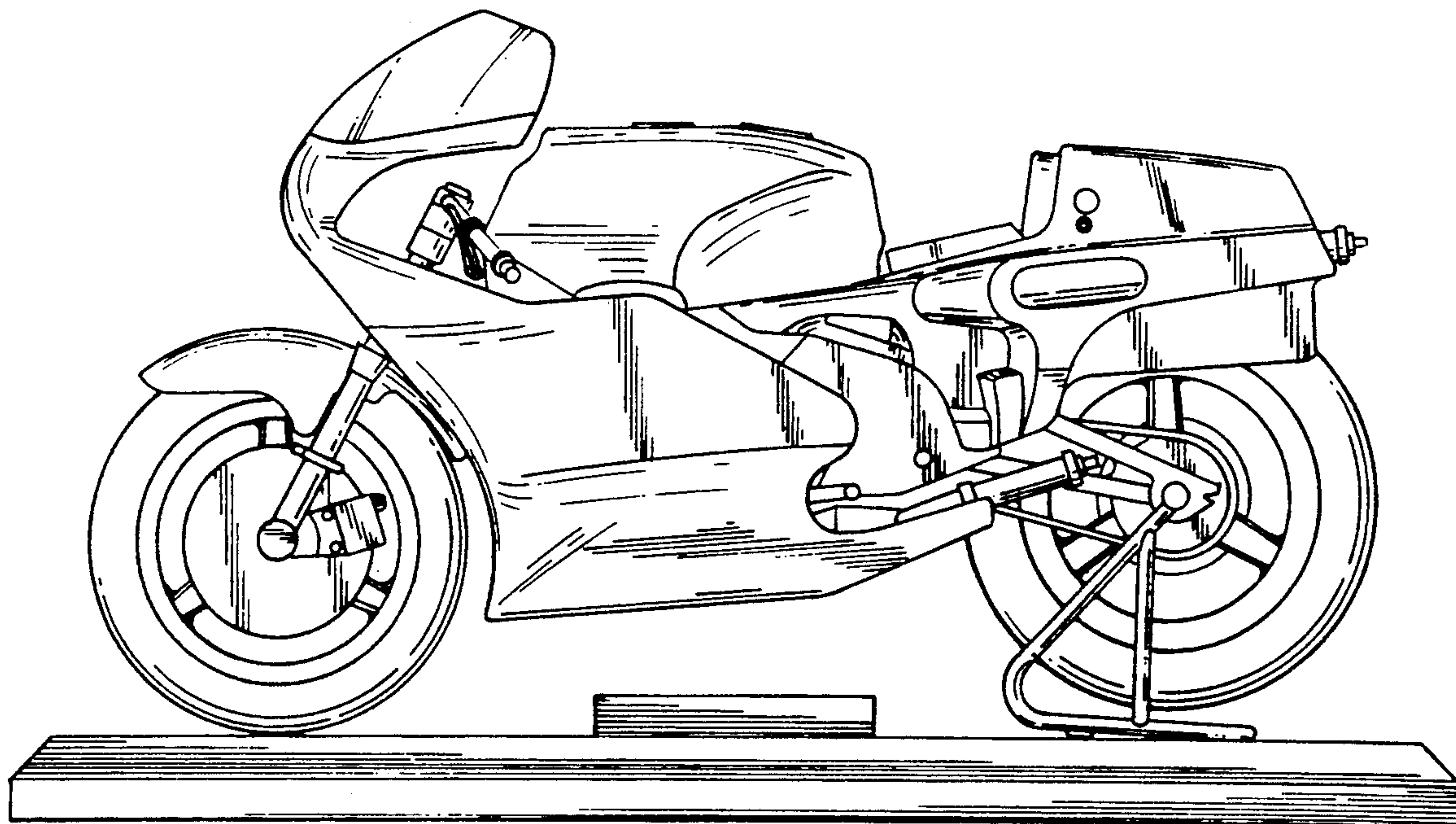
The ornamental design for a telephone set, as shown and described.

DESCRIPTION

FIG. 1 is a right side elevational view of a telephone set showing my new design in cradled relationship, the side opposite being a mirror image;

FIGS. 2 and 3 are respectively top and bottom plan views thereof; and,

FIGS. 4 and 5 are respectively front and rear elevational views thereof.



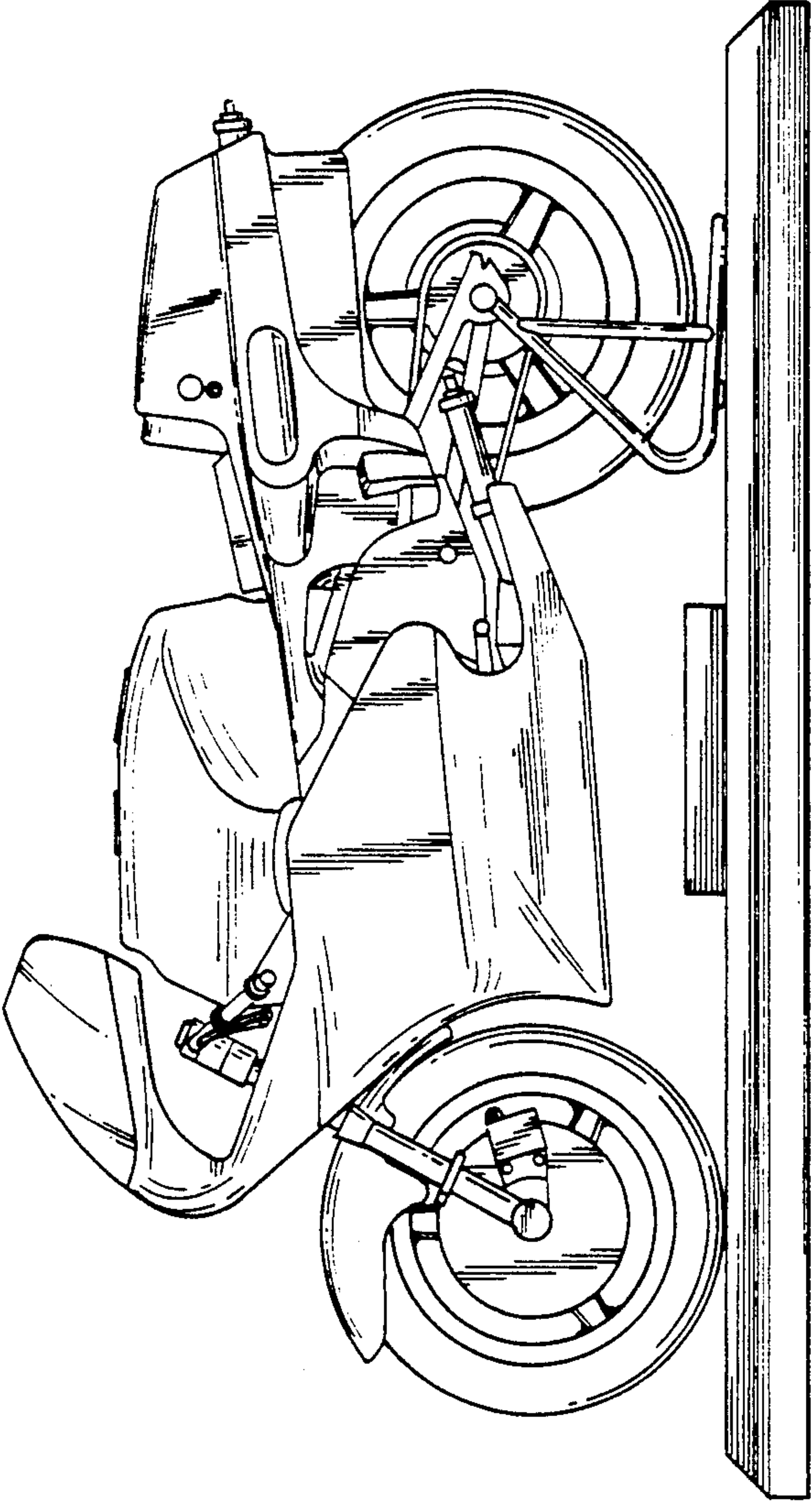


FIG. 1.

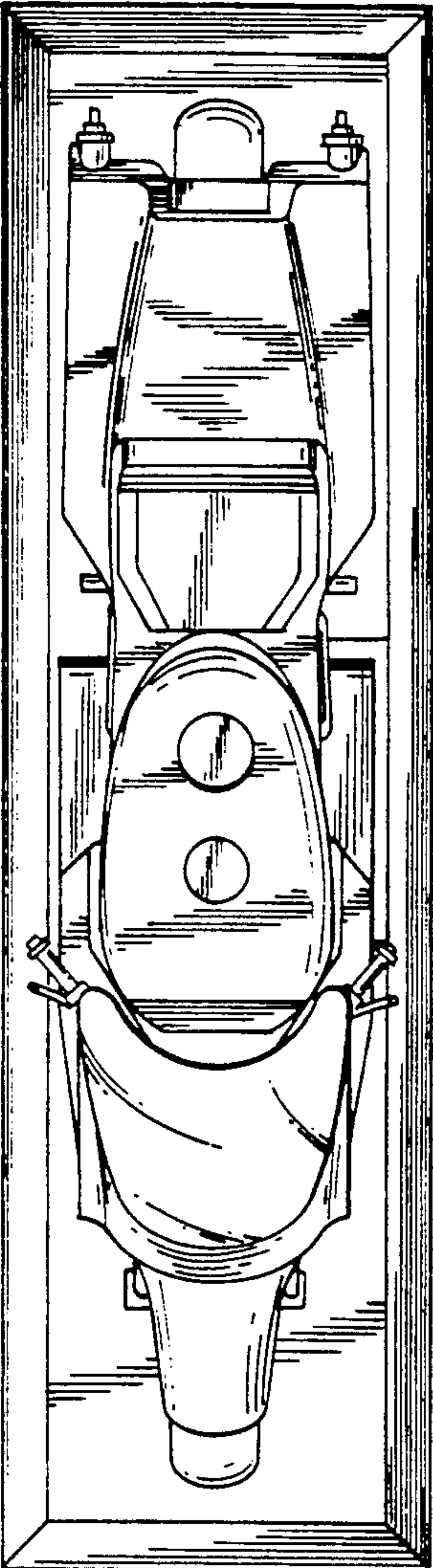


FIG. 2.

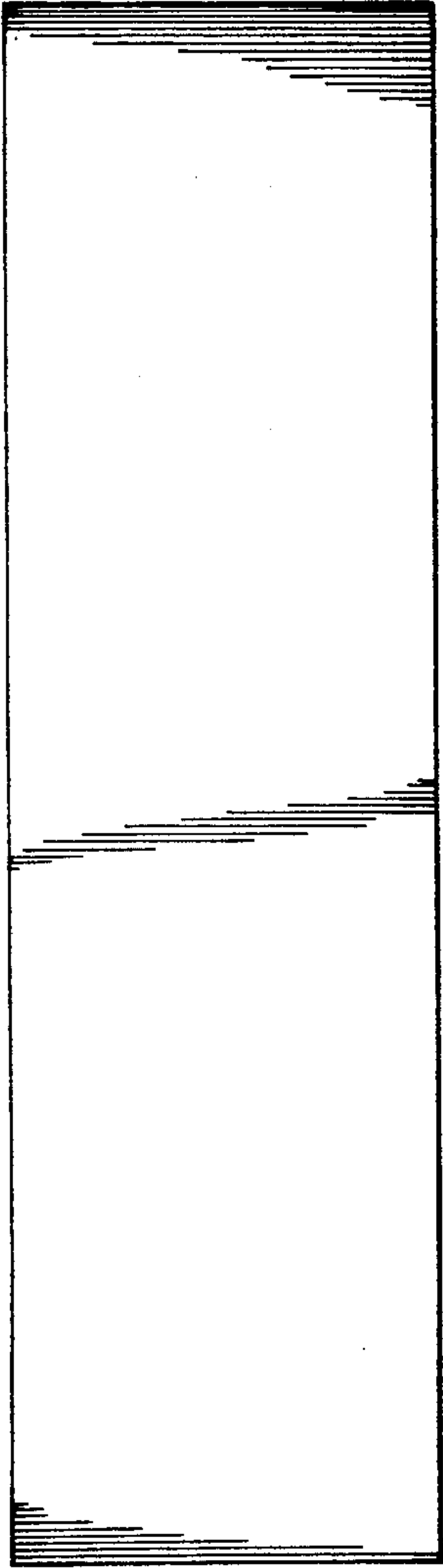


FIG. 3.

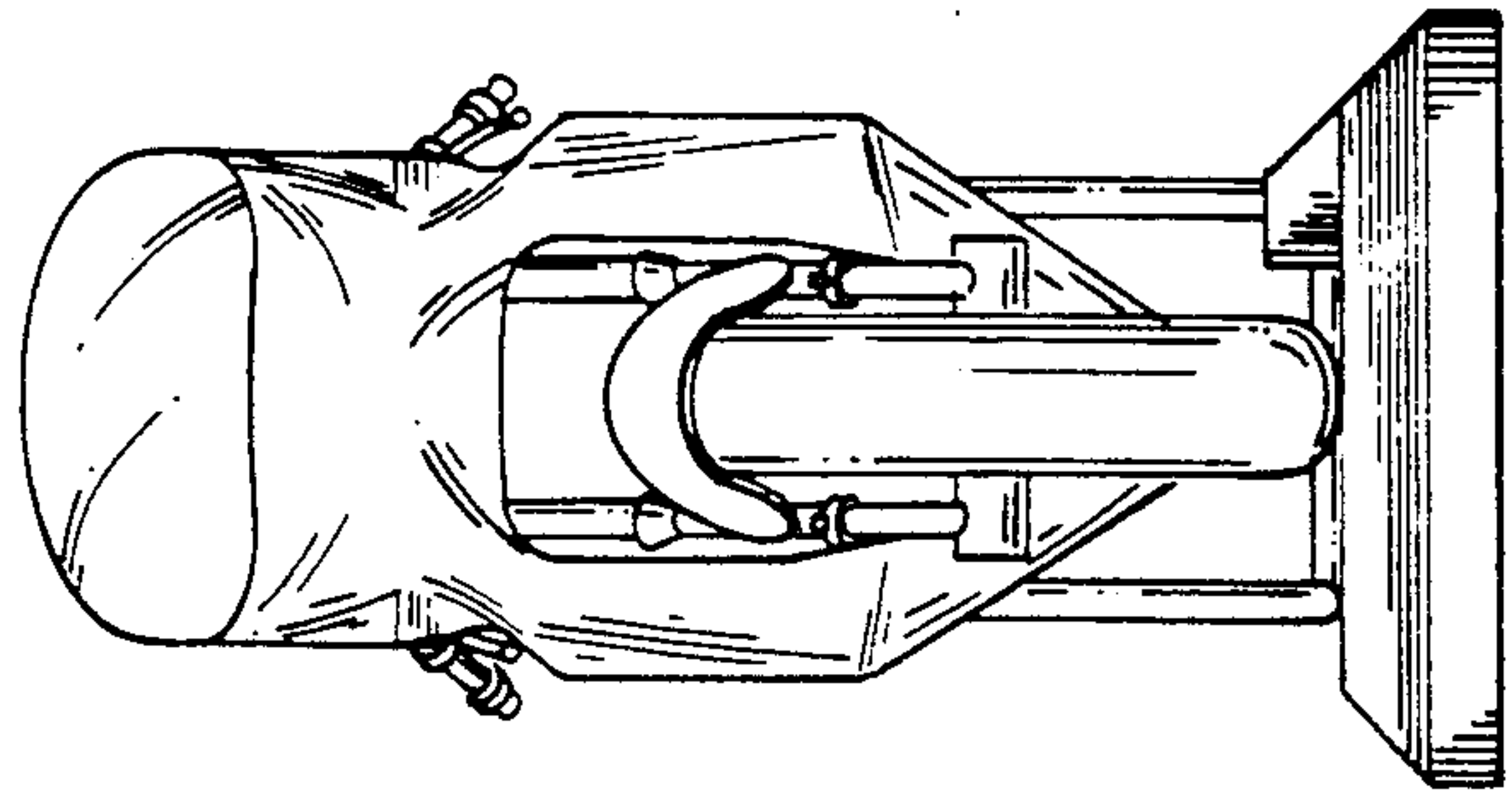


FIG. 4.

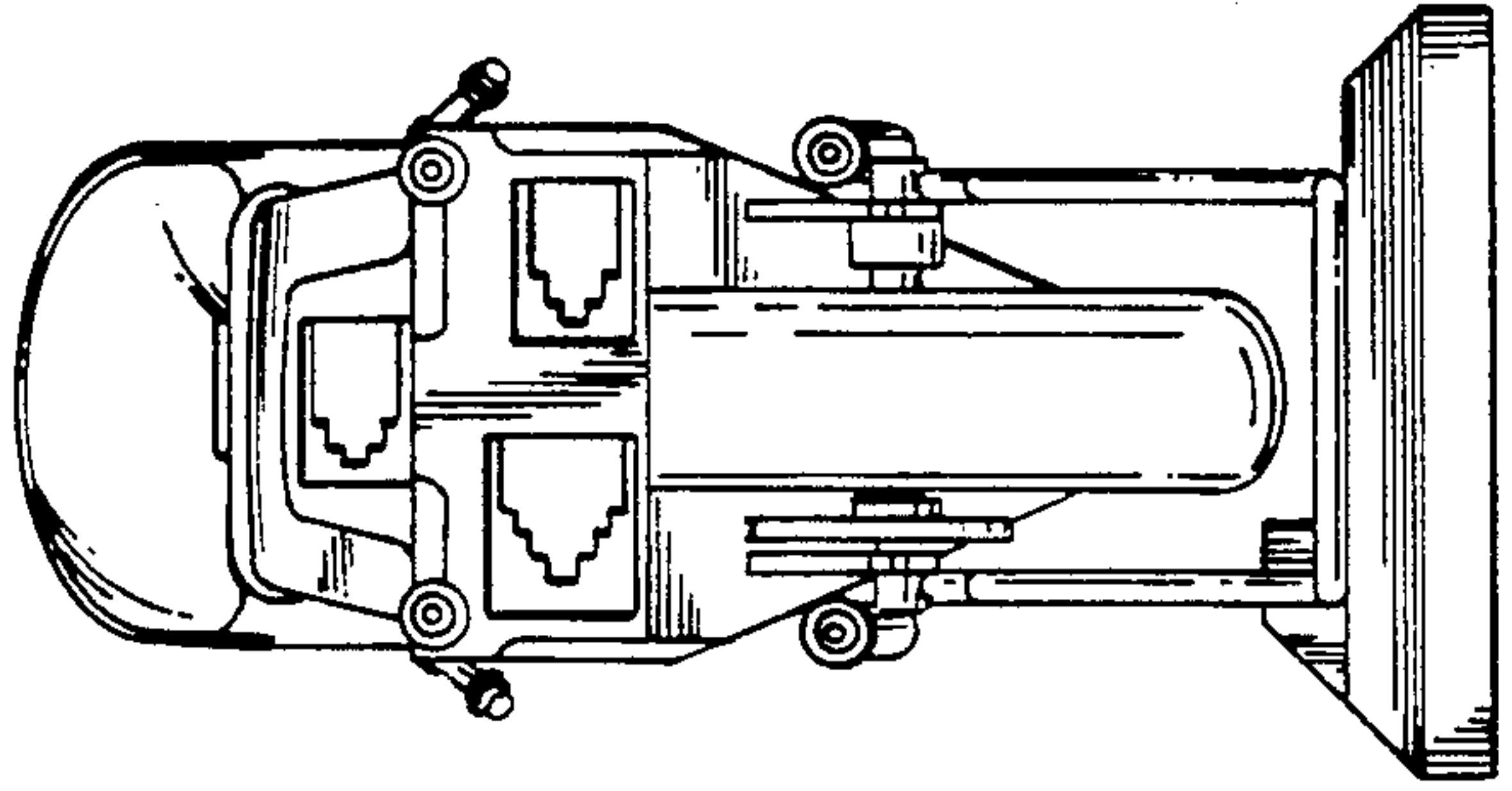


FIG. 5.