



US00D334924S

United States Patent [19]

Crawford et al.

[11] Patent Number: **Des. 334,924**

[45] Date of Patent: **** Apr. 20, 1993**

[54] **MEMORY CARTRIDGE FOR A POINT OF TRANSACTION TERMINAL**

[75] Inventors: **David Crawford, Kaneohe, Hi.; James Arakaki, San Carlos, Calif.; Harold Chen, Taipei, Taiwan**

[73] Assignee: **Verifone, Inc., Redwood City, Calif.**

[**] Term: **14 Years**

[21] Appl. No.: **532,093**

[22] Filed: **Jun. 1, 1990**

[52] U.S. Cl. **D14/121; D14/114; D18/12**

[58] Field of Search **D14/114, 120, 121, 122; 242/71.8, 197-199; 365/189.01; 235/382.5; 273/148 B; 360/133, 132; D18/12**

[56] **References Cited**

U.S. PATENT DOCUMENTS

D. 257,345 10/1980 Levy D14/121

D. 289,765 5/1987 Eto et al. D18/12 X
D. 291,698 9/1987 Hirooka et al. D18/12 X
D. 292,600 11/1987 Wagnera D14/114
D. 316,089 4/1991 Nakauma D14/121

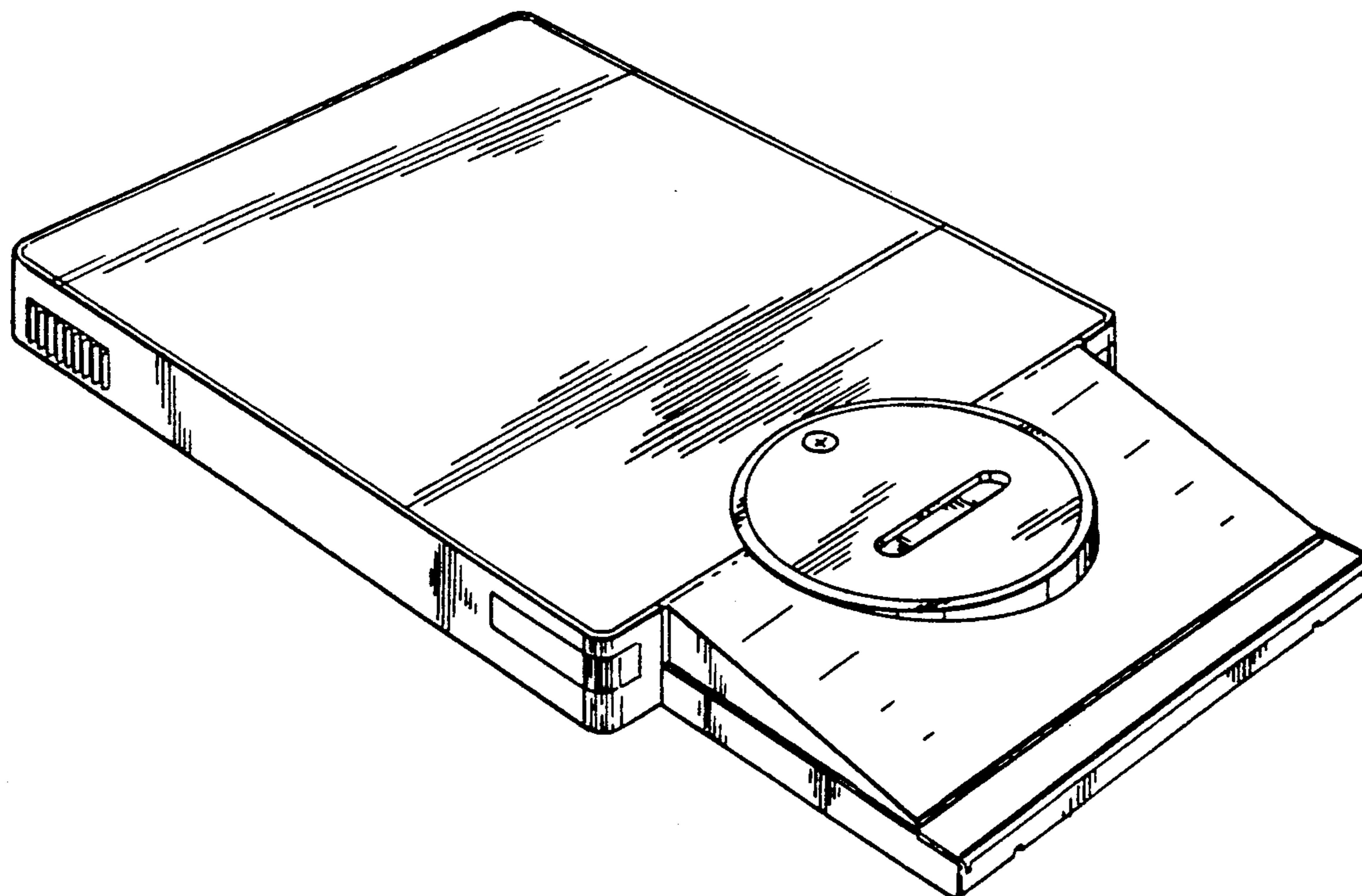
Primary Examiner—Theodore M. Shooman
Attorney, Agent, or Firm—Lowell C. Bergstedt

[57] CLAIM

The ornamental design for a memory cartridge for a point of transaction terminal, as shown and described.

DESCRIPTION

FIG. 1 is a top, front and right side perspective view of a memory cartridge for a point of transaction terminal showing our new design;
FIG. 2 is a top plan view thereof;
FIG. 3 is a left side elevation view thereof;
FIG. 4 is a right side elevation view thereof;
FIG. 5 is a front elevation view thereof, the rear being a mirror image; and,
FIG. 6 is a bottom plan view thereof.



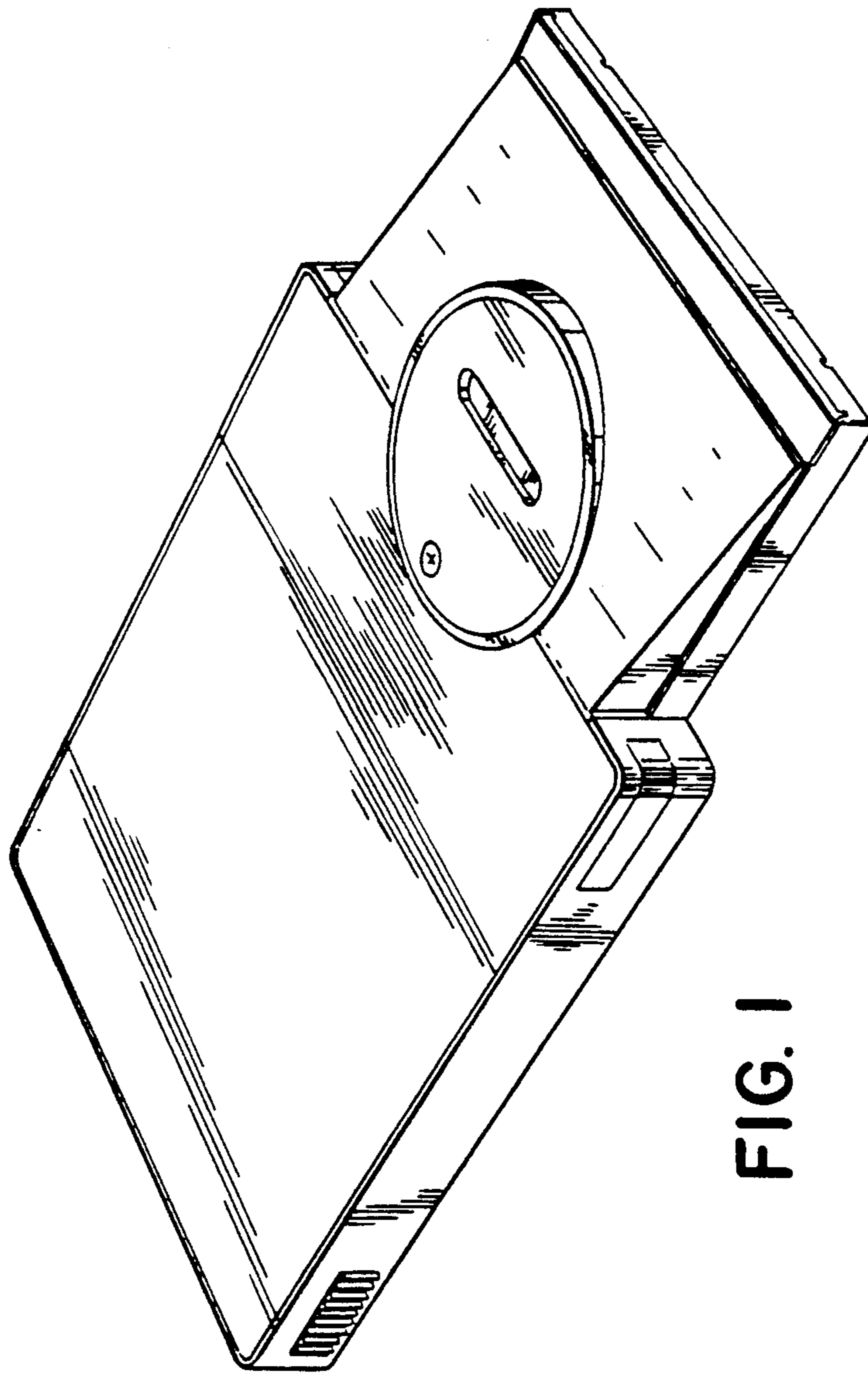


FIG. 1

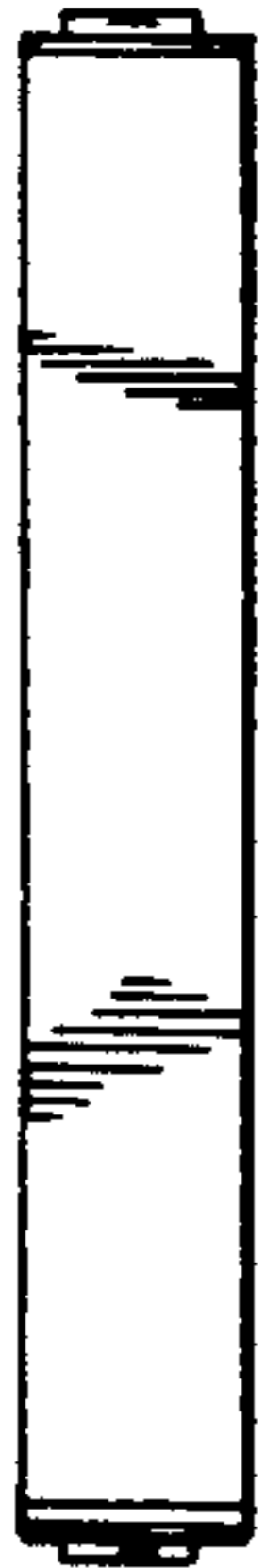


FIG. 3

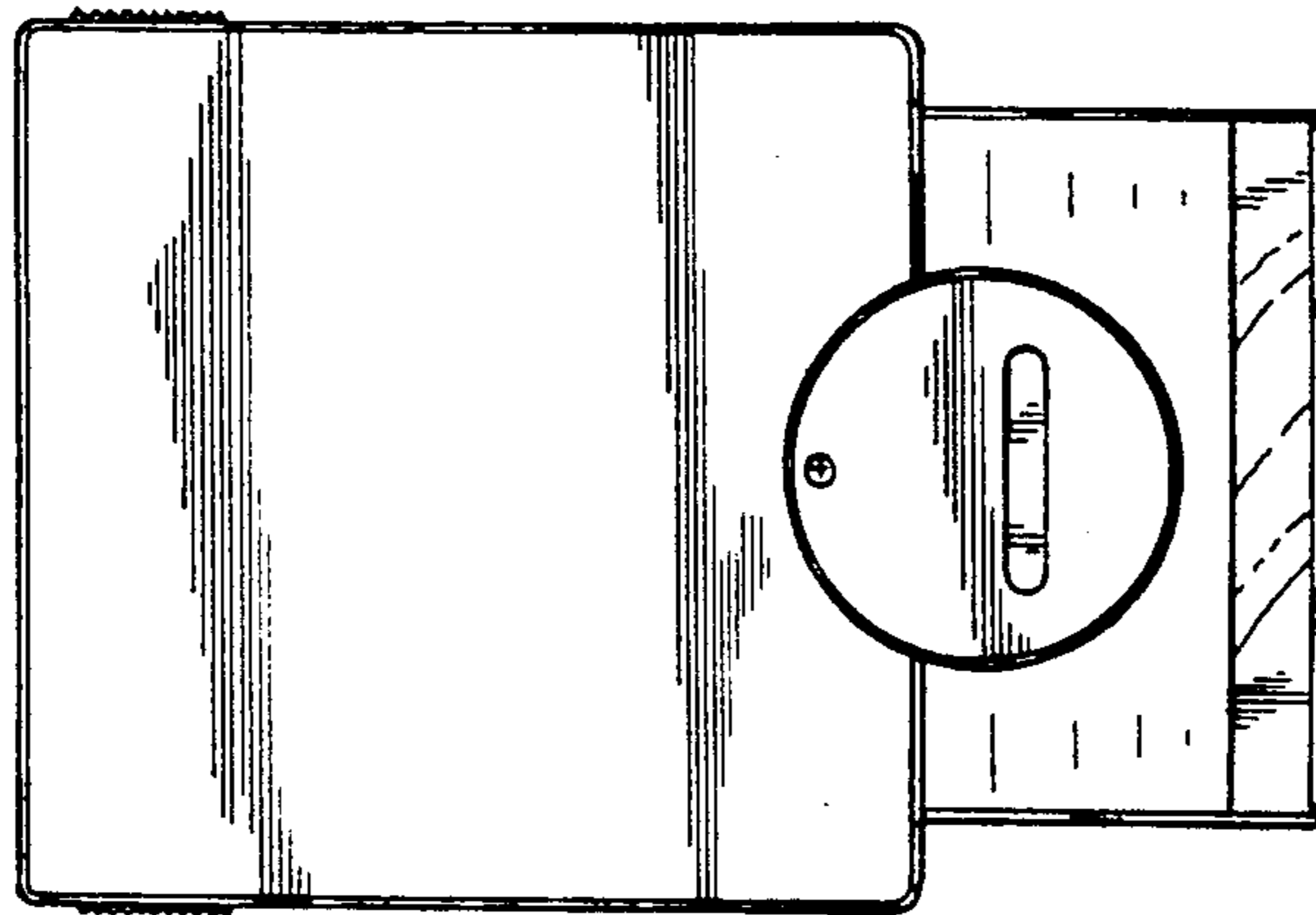


FIG. 2



FIG. 4



FIG. 5

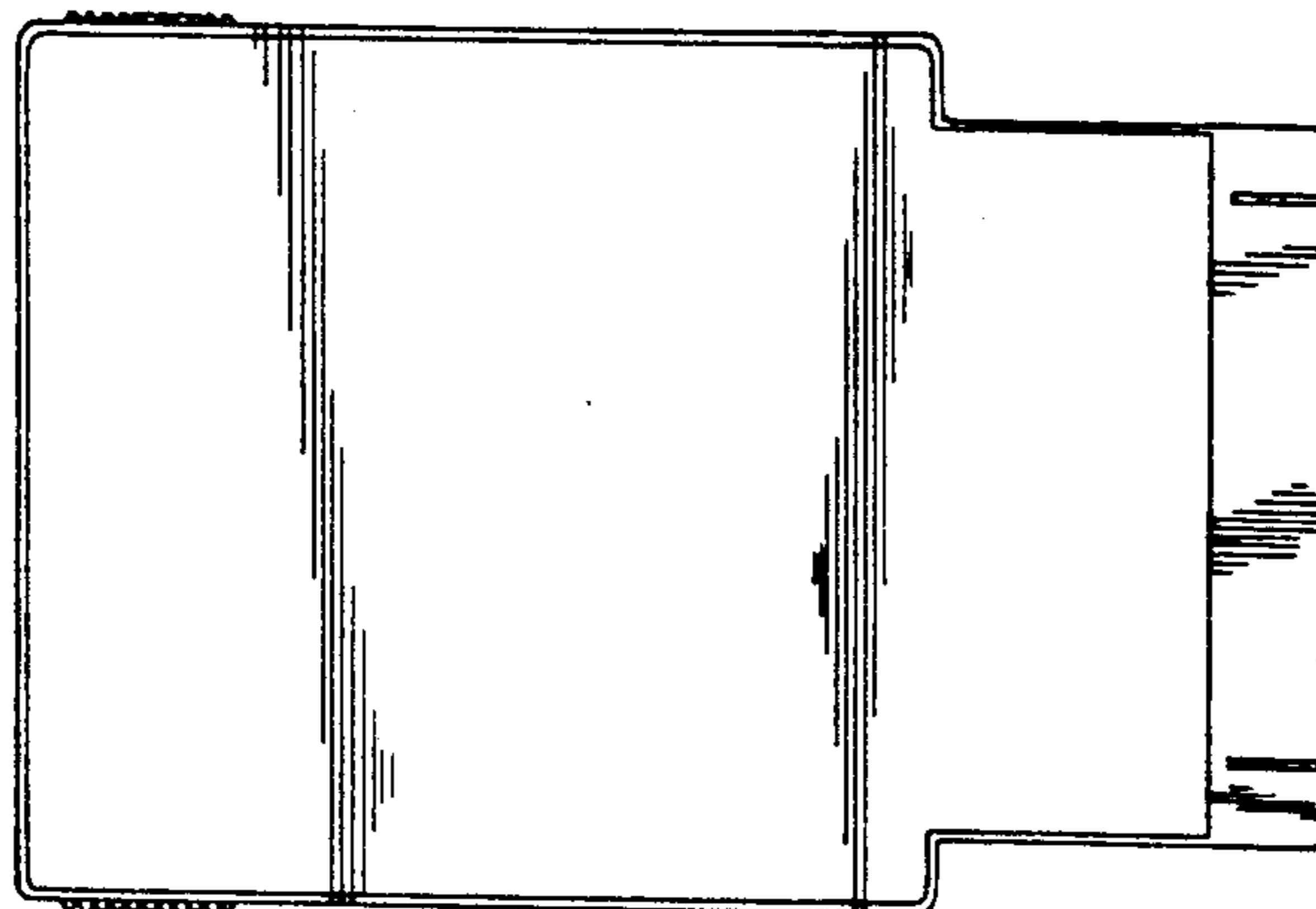


FIG. 6