



US00D334922S

United States Patent [19]

Meyerson et al.

[11] Patent Number: **Des. 334,922**

[45] Date of Patent: **** Apr. 20, 1993**

[54] **BAR CODE SCANNER**

[75] Inventors: **Robert F. Meyerson**, Captiva Island, Fla.; **Rajendra Kumar**, Akron, Ohio; **James A. Campo**, Brunswick, Ohio; **Roger H. Ramsey**, Akron, Ohio; **Mitchell L. Wilgus**, Akron, Ohio

[73] Assignee: **Telxon Corporation**, Akron, Ohio

[**] Term: **14 Years**

[21] Appl. No.: **765,163**

[22] Filed: **Sep. 25, 1991**

[52] U.S. Cl. **D14/116**

[58] Field of Search **D14/100, 114, 116;**
235/454, 462, 472, 486; 354/80-82; 250/203.1,
216, 566, 568; D26/37, 45, 50

[56] **References Cited**

U.S. PATENT DOCUMENTS

- D. 248,946 8/1978 Koenig D14/116
- D. 308,865 6/1990 Weaver et al. D14/116
- D. 319,825 9/1991 Andrew D14/116

- D. 320,013 9/1991 Siemiatkowski et al. D14/116
- D. 325,574 4/1992 Carver D14/116
- 4,746,932 5/1988 Sato 235/472 X

OTHER PUBLICATIONS

Softwarehouse items: handscanners, p. 31, Winter '89-'90.

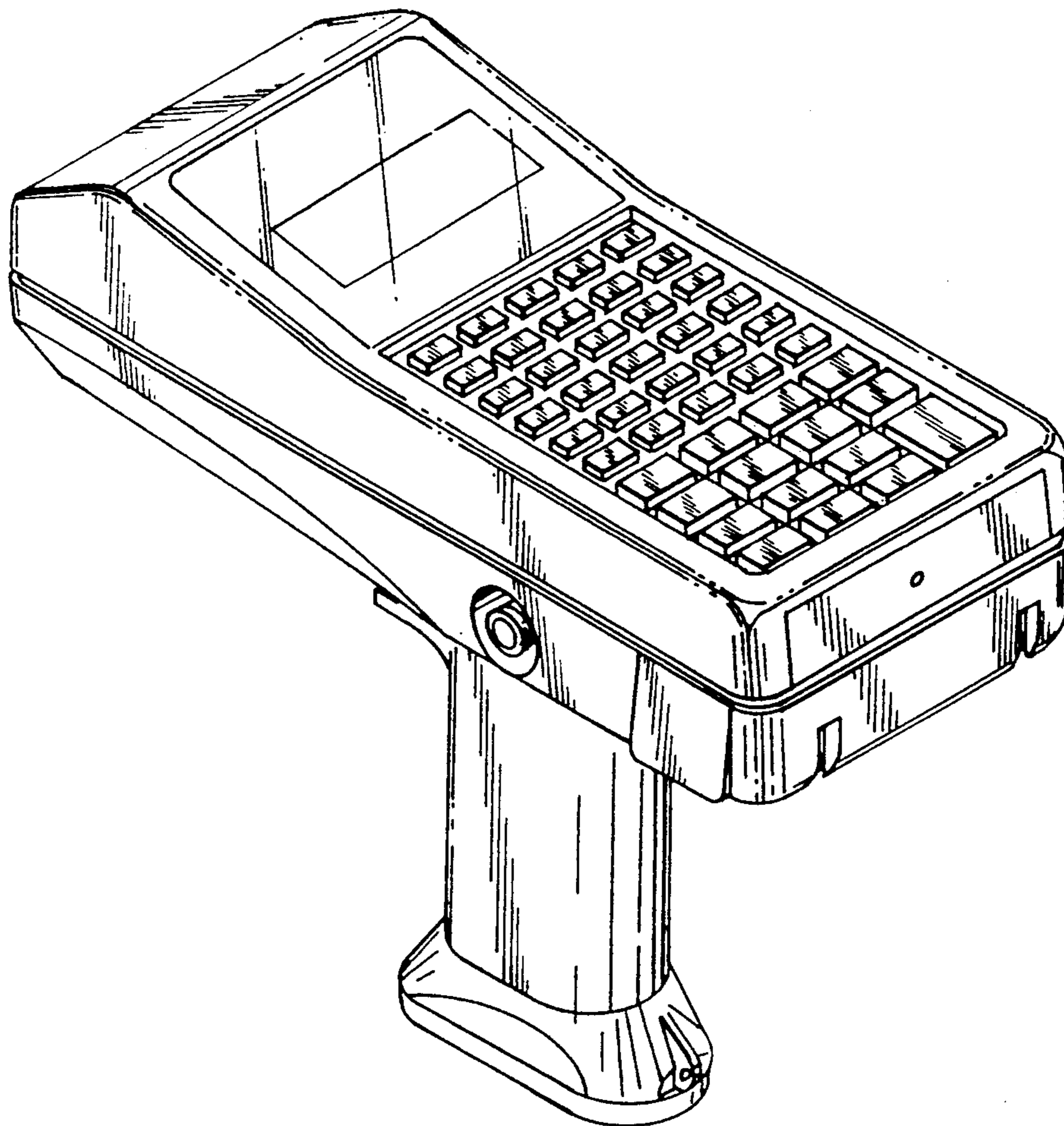
Primary Examiner—Wallace R. Burke
Assistant Examiner—M. H. Tung
Attorney, Agent, or Firm—Pretty, Schroeder, Brueggemann & Clark

[57] **CLAIM**

The ornamental design for a bar code scanner, as shown.

DESCRIPTION

FIG. 1 is a left, rear perspective view of a bar code scanner showing our new design; FIG. 2 is a right side elevational view thereof, the left side being a mirror image; FIG. 3 is a front elevational view thereof; FIG. 4 is a rear elevational view thereof; and, FIG. 5 is a bottom plan view thereof.



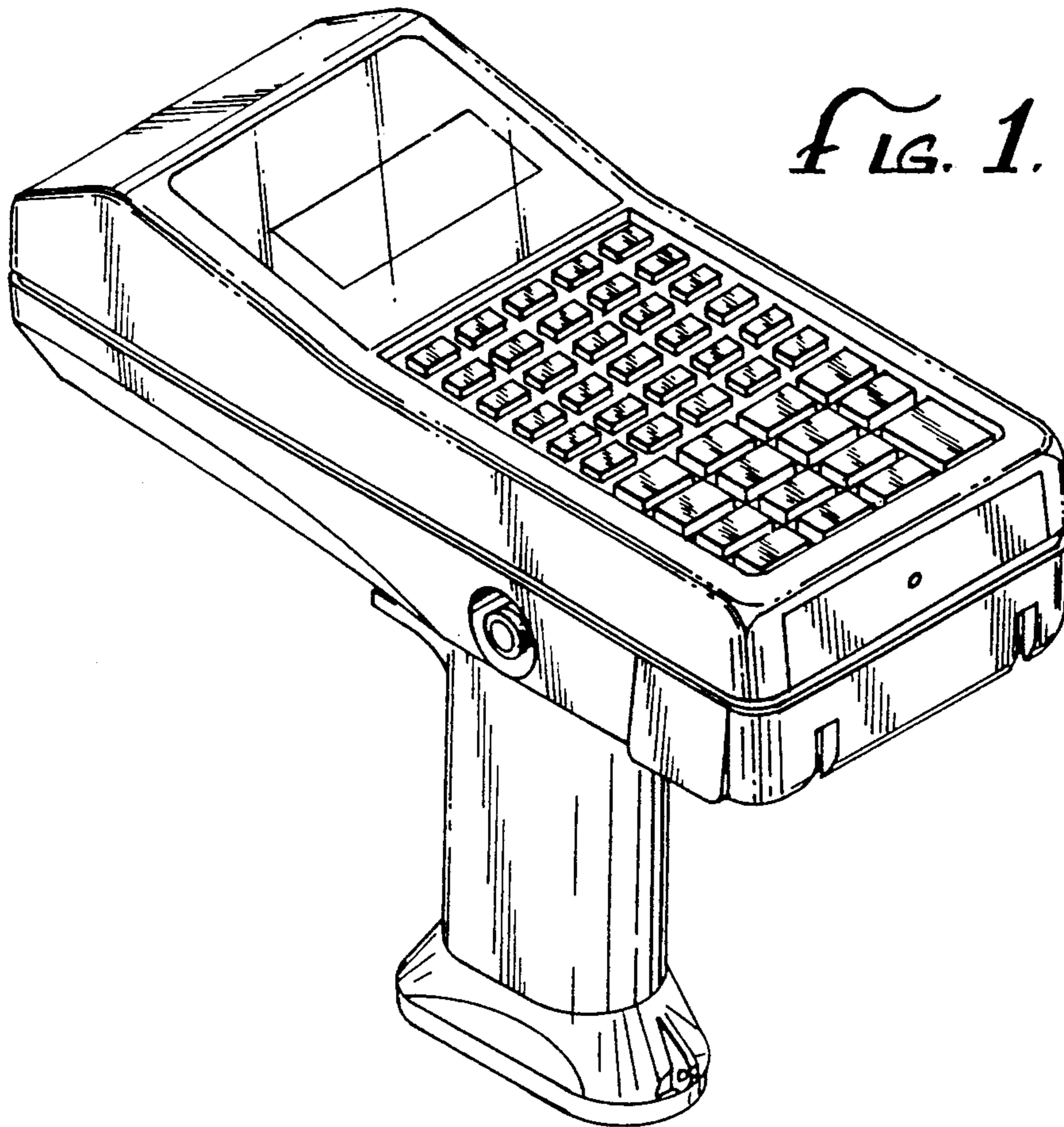


FIG. 1.

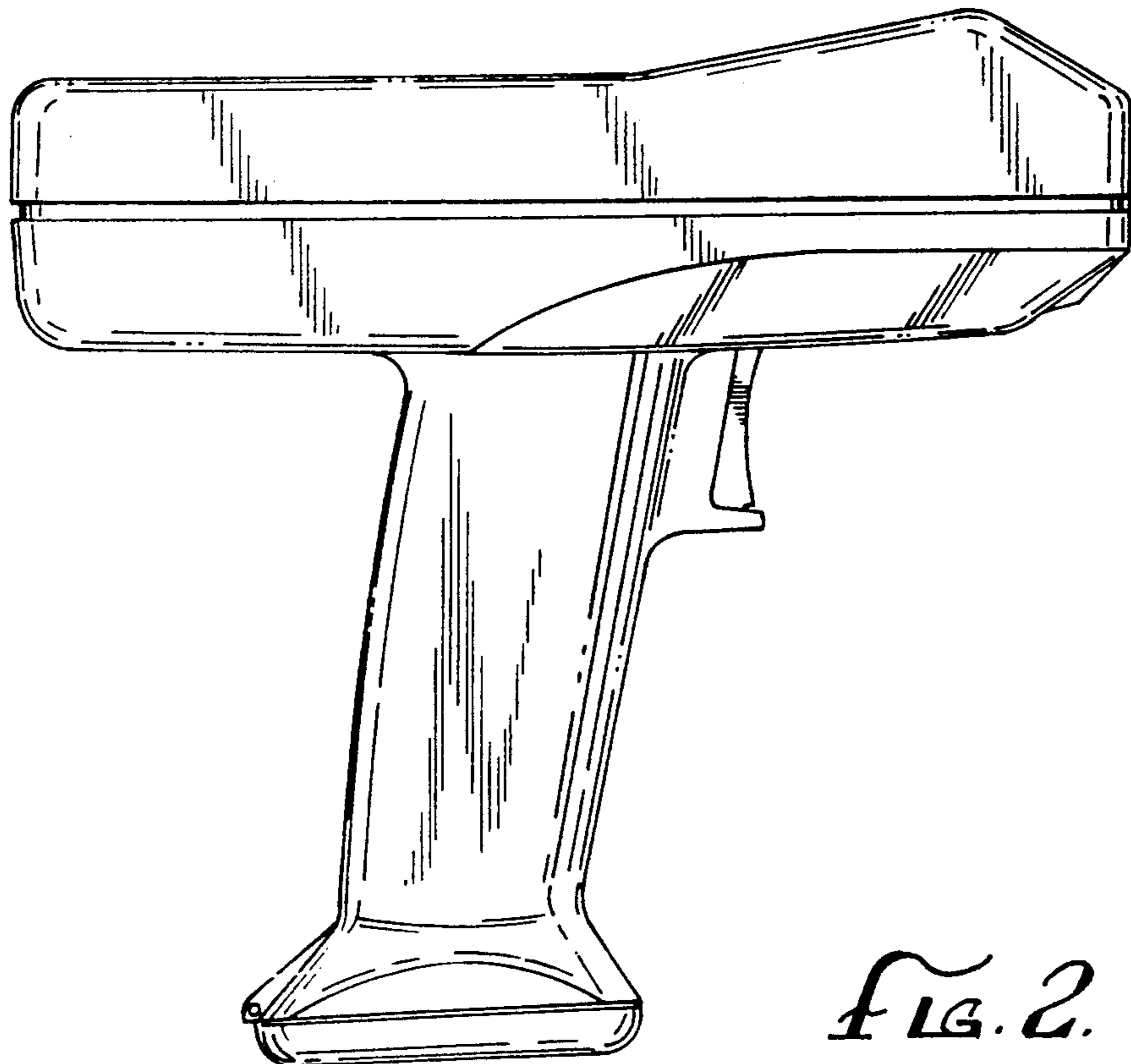


FIG. 2.

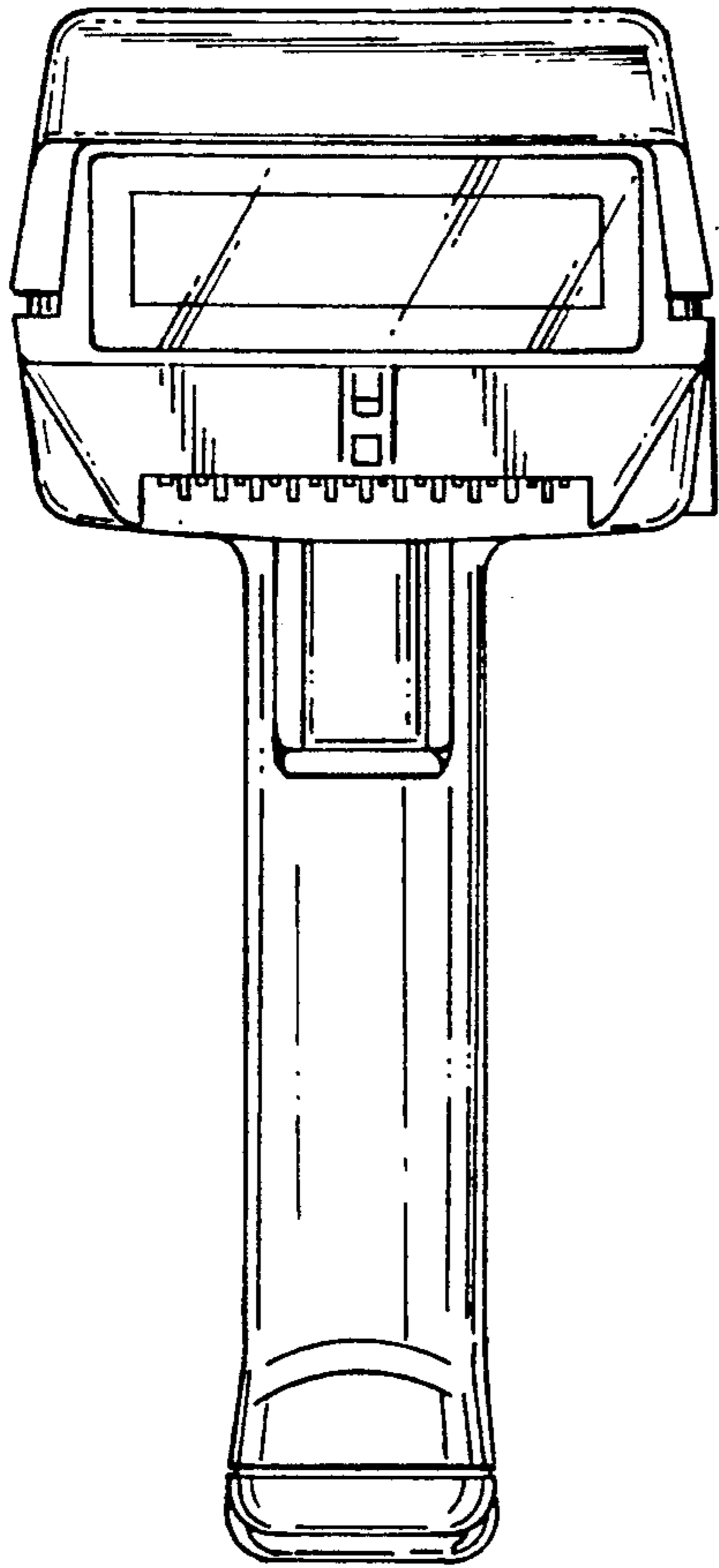


FIG. 3.

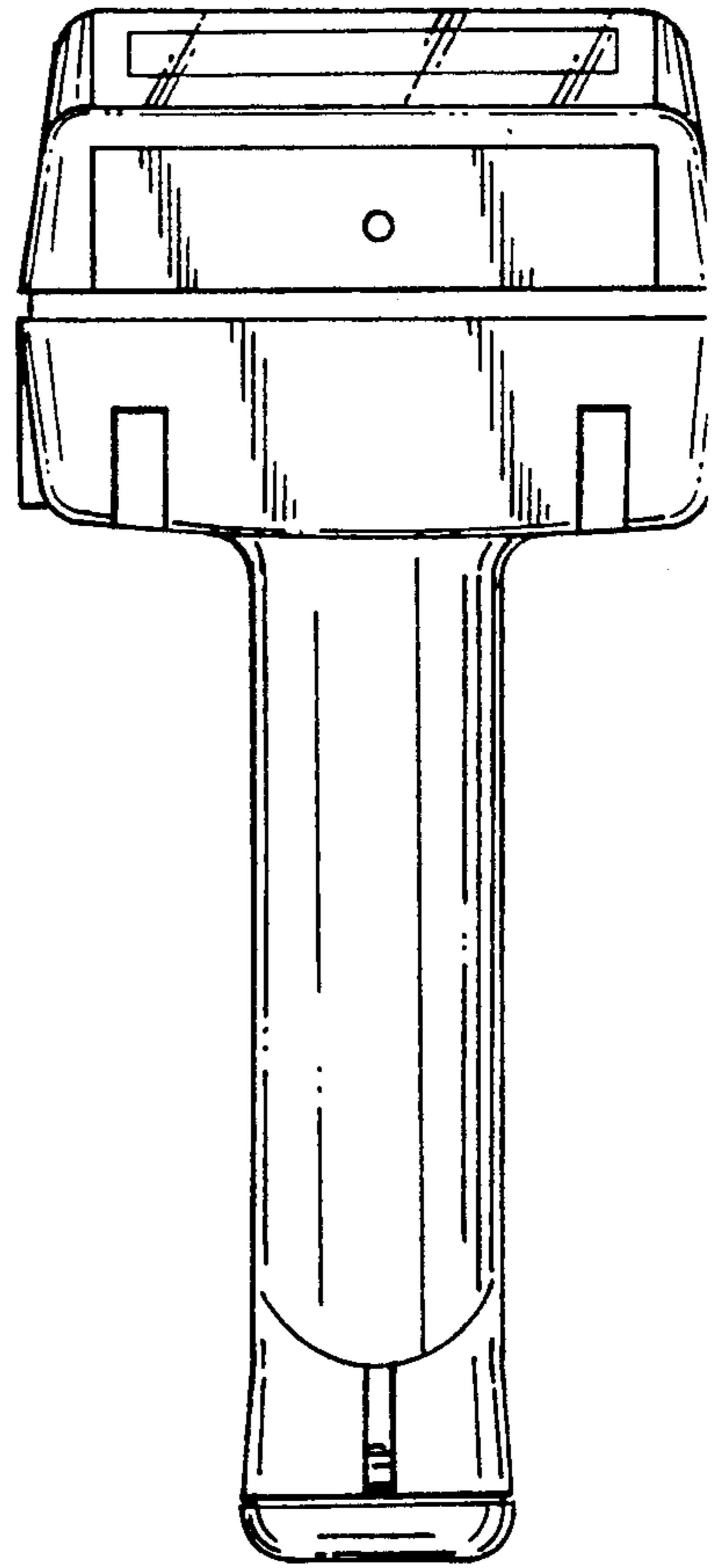


FIG. 4.

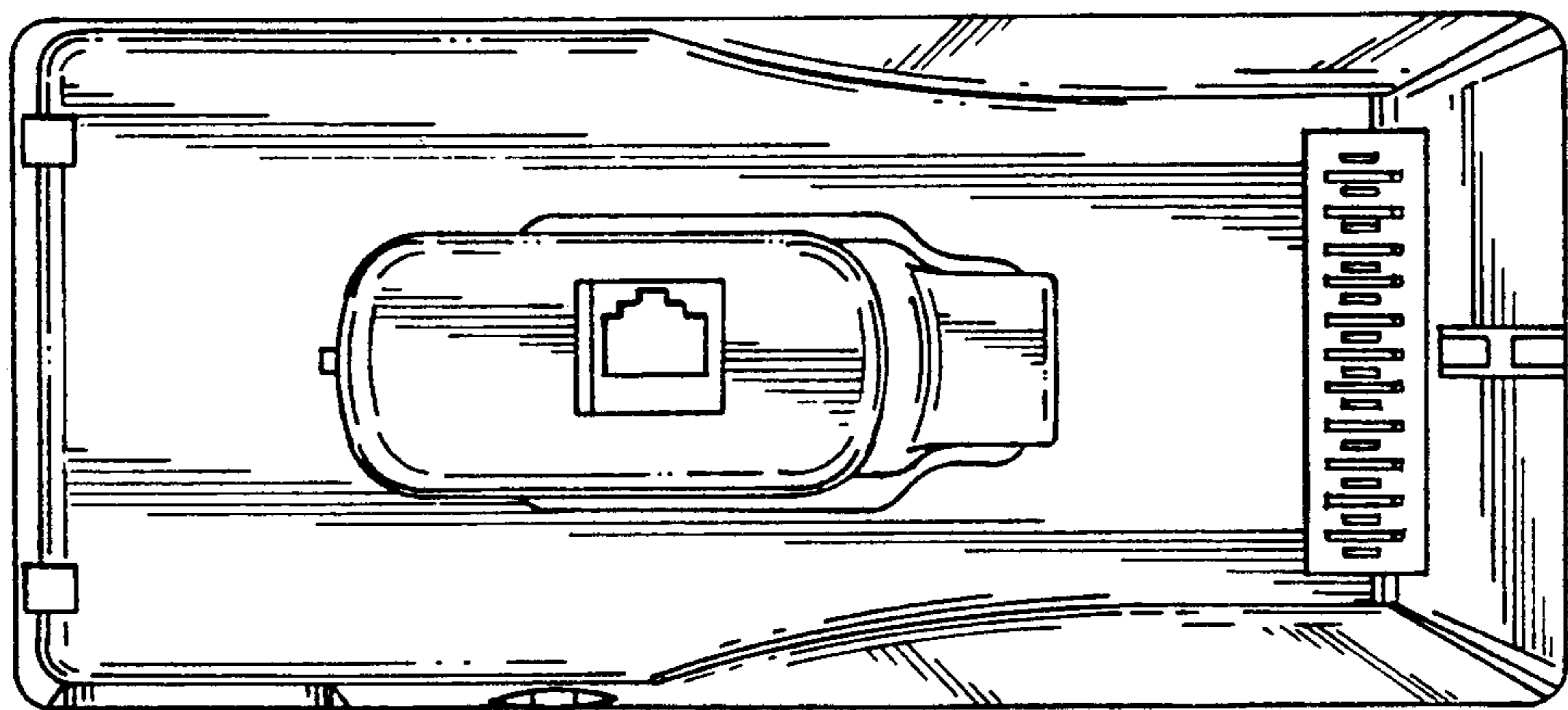


FIG. 5.