



US00D334921S

United States Patent [19]

[11] Patent Number: **Des. 334,921**

Basara et al.

[45] Date of Patent: **** Apr. 20, 1993**

[54] **DESKTOP COMPUTER SYSTEM SUPPORT DEVICE WITH INTEGRATED CABLE MANAGEMENT**

4,635,811	1/1987	Lodi	248/346 X
4,937,563	6/1990	Shekita et al.	248/920 X
5,094,422	3/1992	Tiffany	248/346 X

[75] Inventors: **Michael Basara**, Rhinebeck; **John J. Natoli**, Woodstock, both of N.Y.

Primary Examiner—Wallace R. Burke
Assistant Examiner—M. H. Tung
Attorney, Agent, or Firm—Mark S. Walker

[73] Assignee: **International Business Machines Corporation**, Armonk, N.Y.

[57] CLAIM

[**] Term: **14 Years**

The ornamental design for a desktop computer system support device with integrated cable management, as shown and described.

[21] Appl. No.: **578,100**

DESCRIPTION

[22] Filed: **Aug. 29, 1990**

[52] U.S. Cl. **D14/114**

[58] Field of Search D14/114; D6/480, 485, D6/486, 490; 361/380, 390-395; 248/688, 637, 676, 678, 346, 910, 917-924, 49, 56-57, 71

FIG. 1 is a front left perspective view of a desktop computer system support device with integrated cable management showing our new design;

FIG. 2 is a bottom left perspective view thereof;

FIG. 3 is a bottom plan view thereof, on an enlarged scale;

FIG. 4 is a top plan view thereof, on an enlarged scale;

FIG. 5 is a front elevational view thereof;

FIG. 6 is a front right perspective view thereof;

FIG. 7 is a rear left perspective view thereof; and,

FIG. 8 is a rear right perspective view thereof.

[56] References Cited

U.S. PATENT DOCUMENTS

4,056,251	11/1977	Dixon et al.	248/678
4,397,246	8/1983	Ishida et al.	248/346 X
4,502,656	3/1985	Zeitler	248/346
4,535,898	8/1985	Jones et al.	211/153

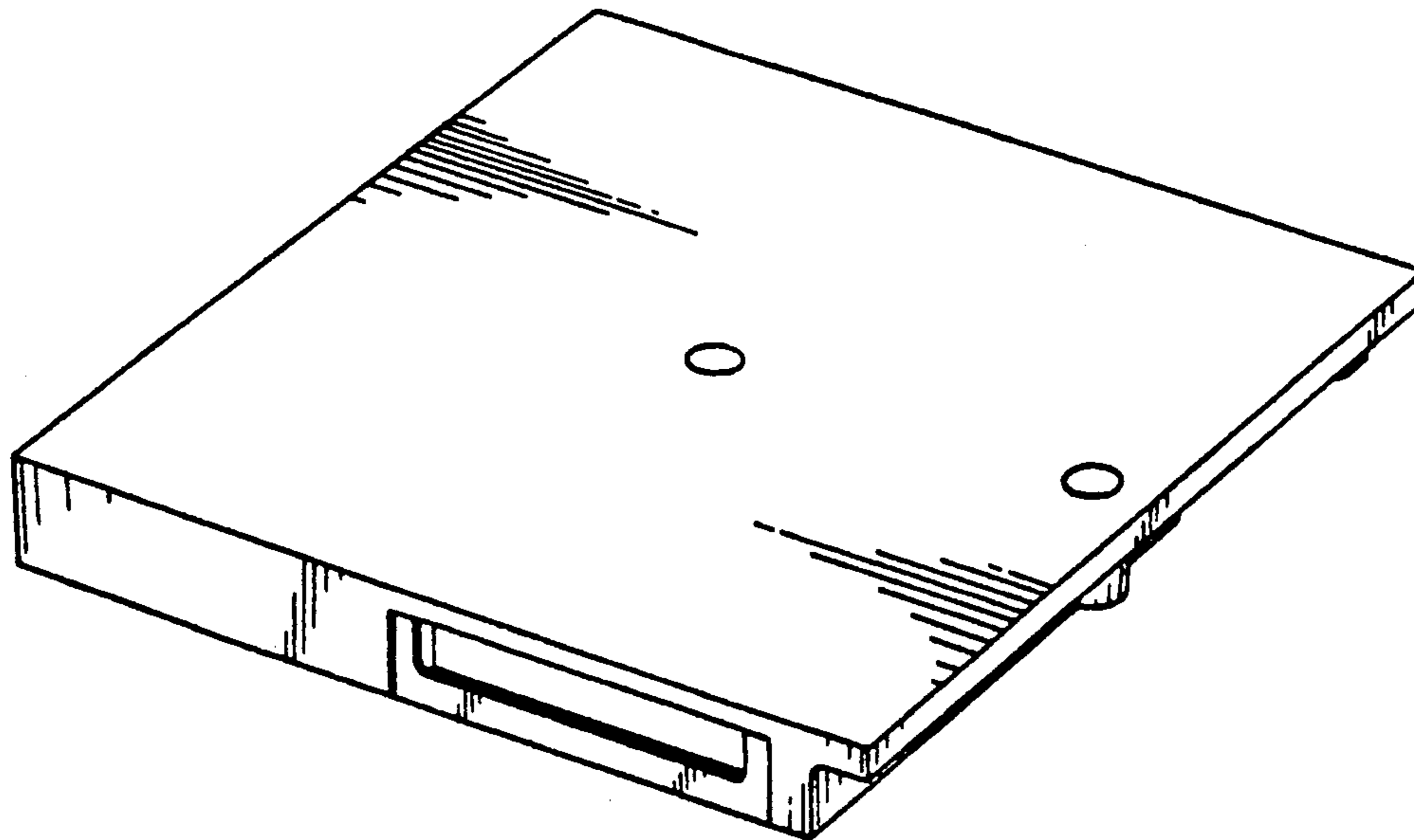


FIG. 1

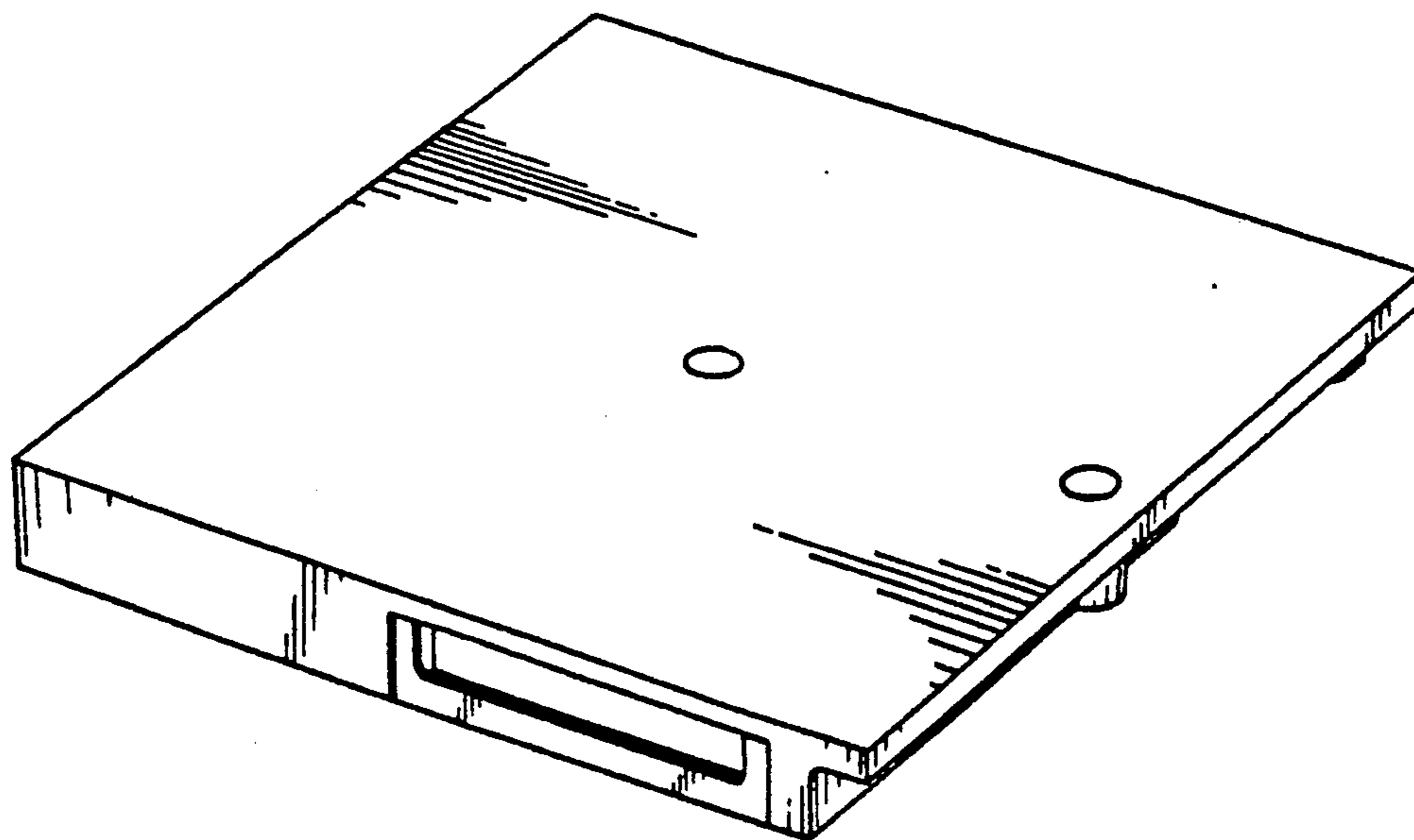


FIG. 2

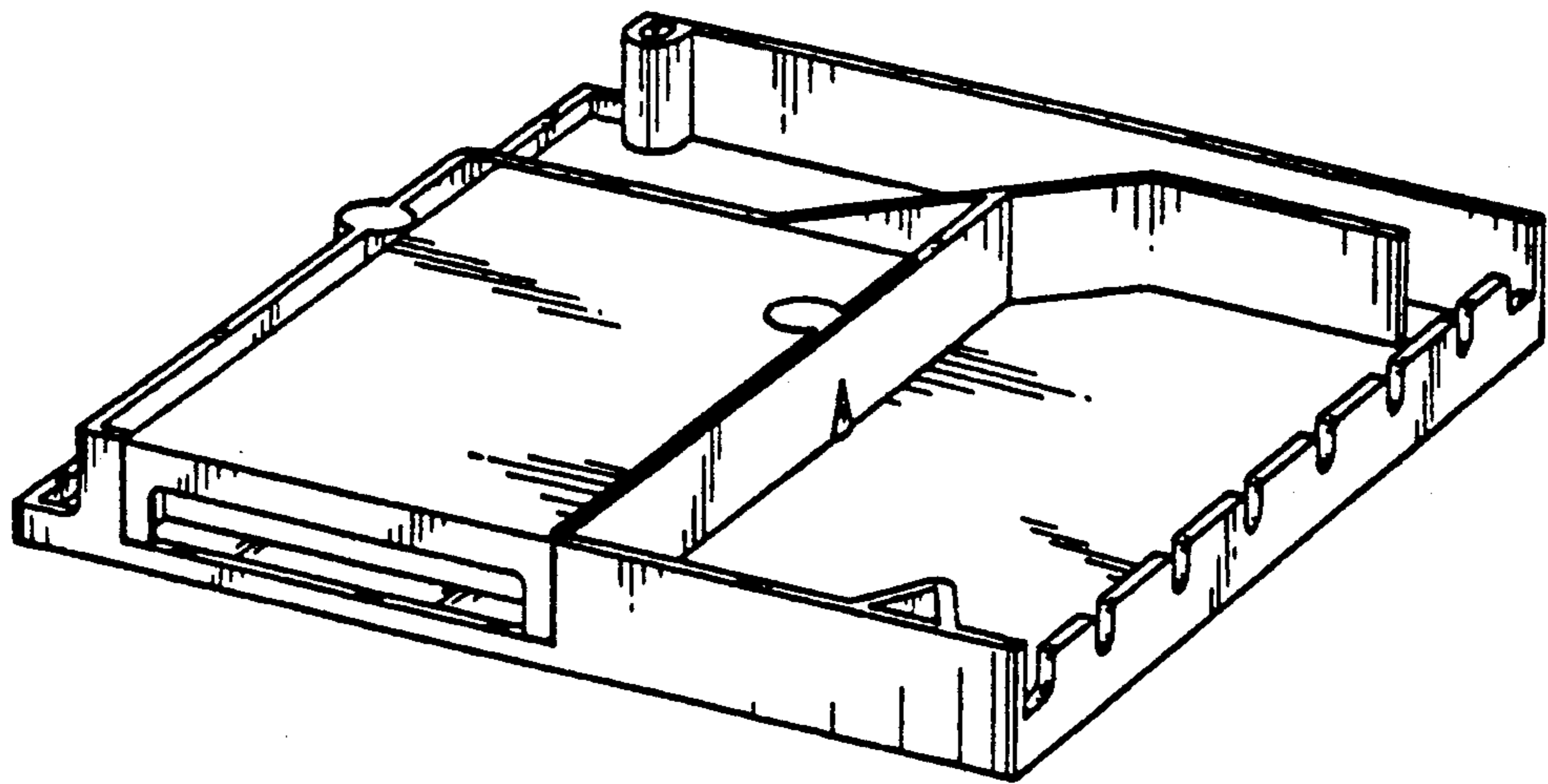


FIG. 3

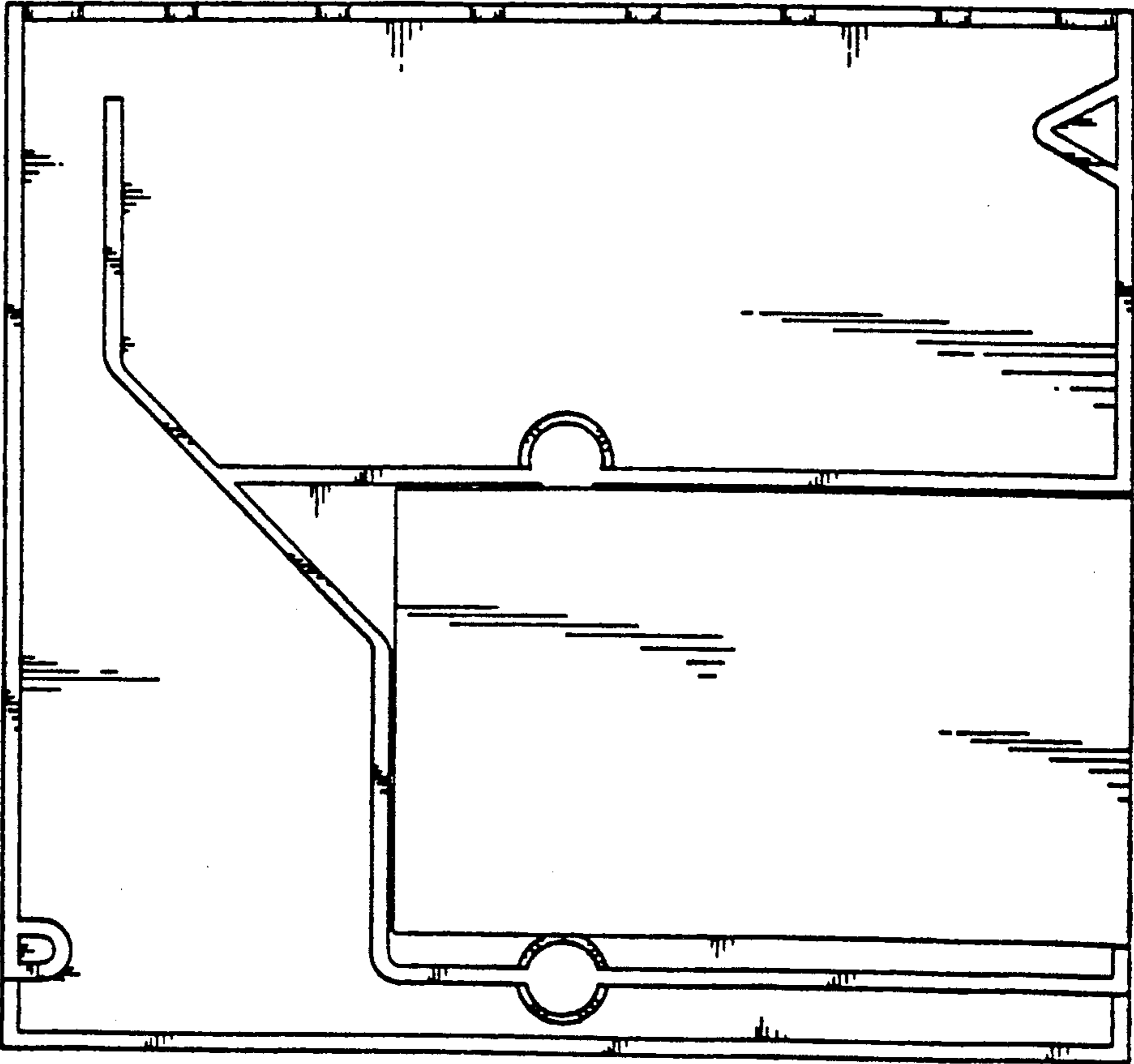
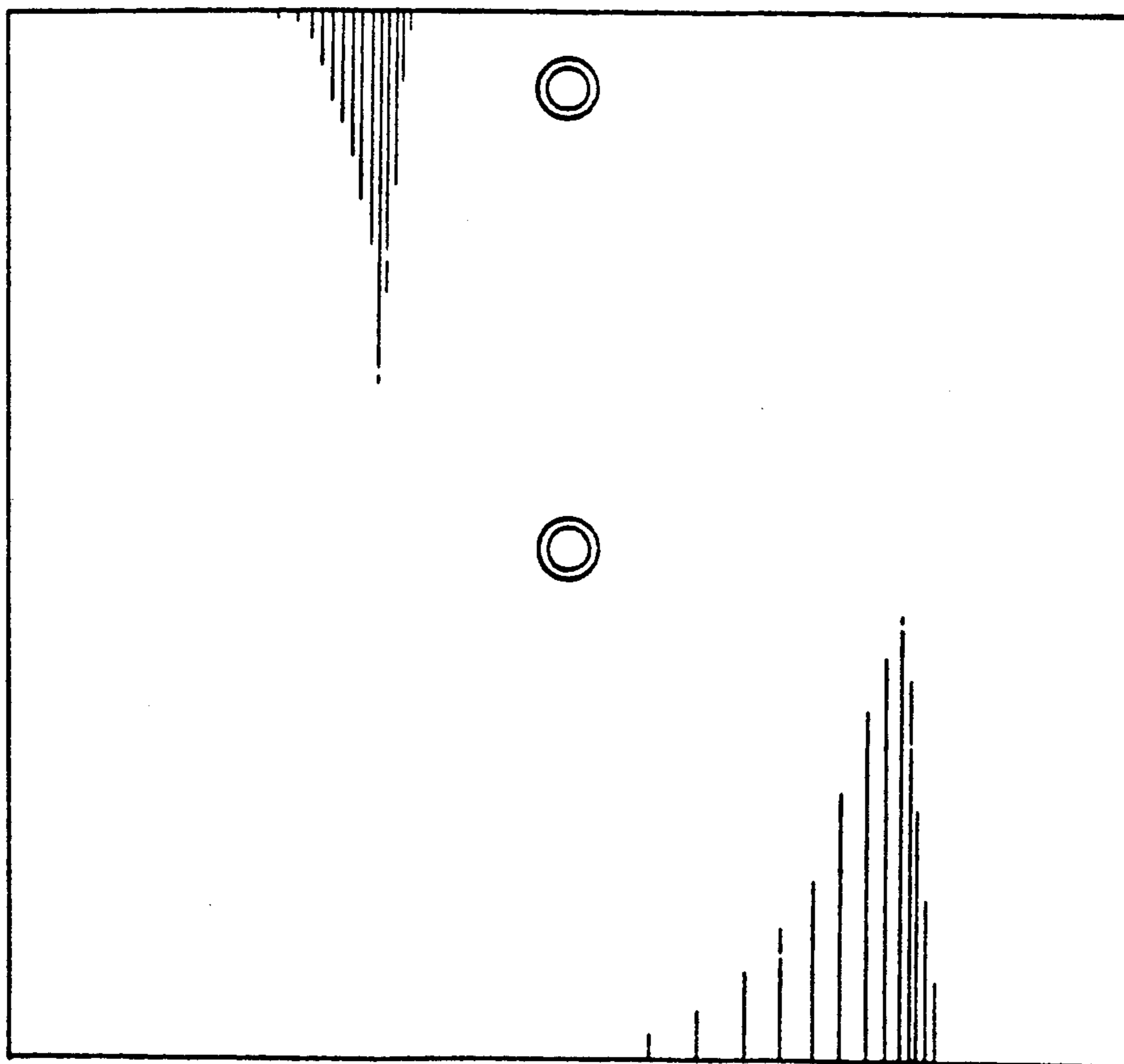


FIG. 4



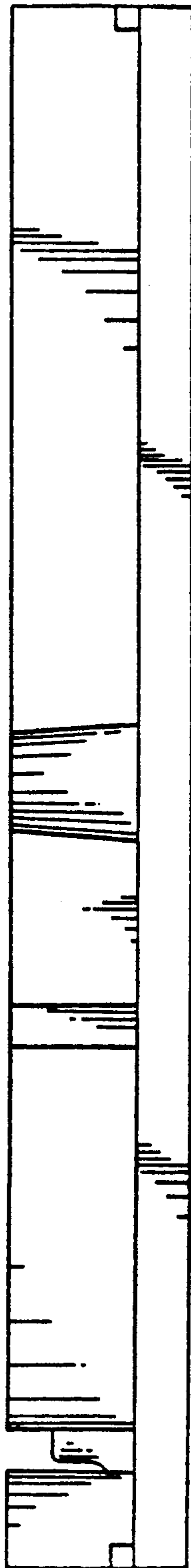


FIG. 5

FIG. 6

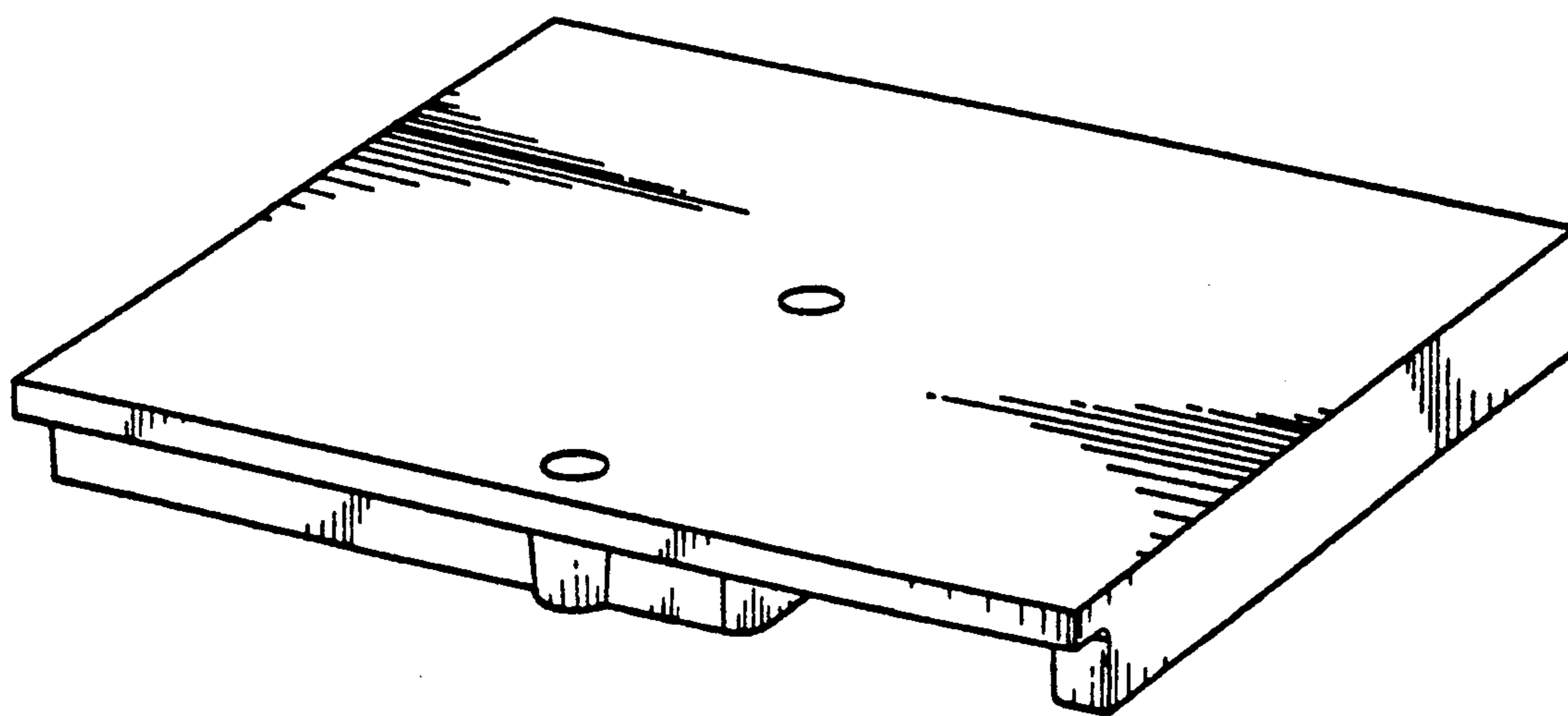


FIG. 7

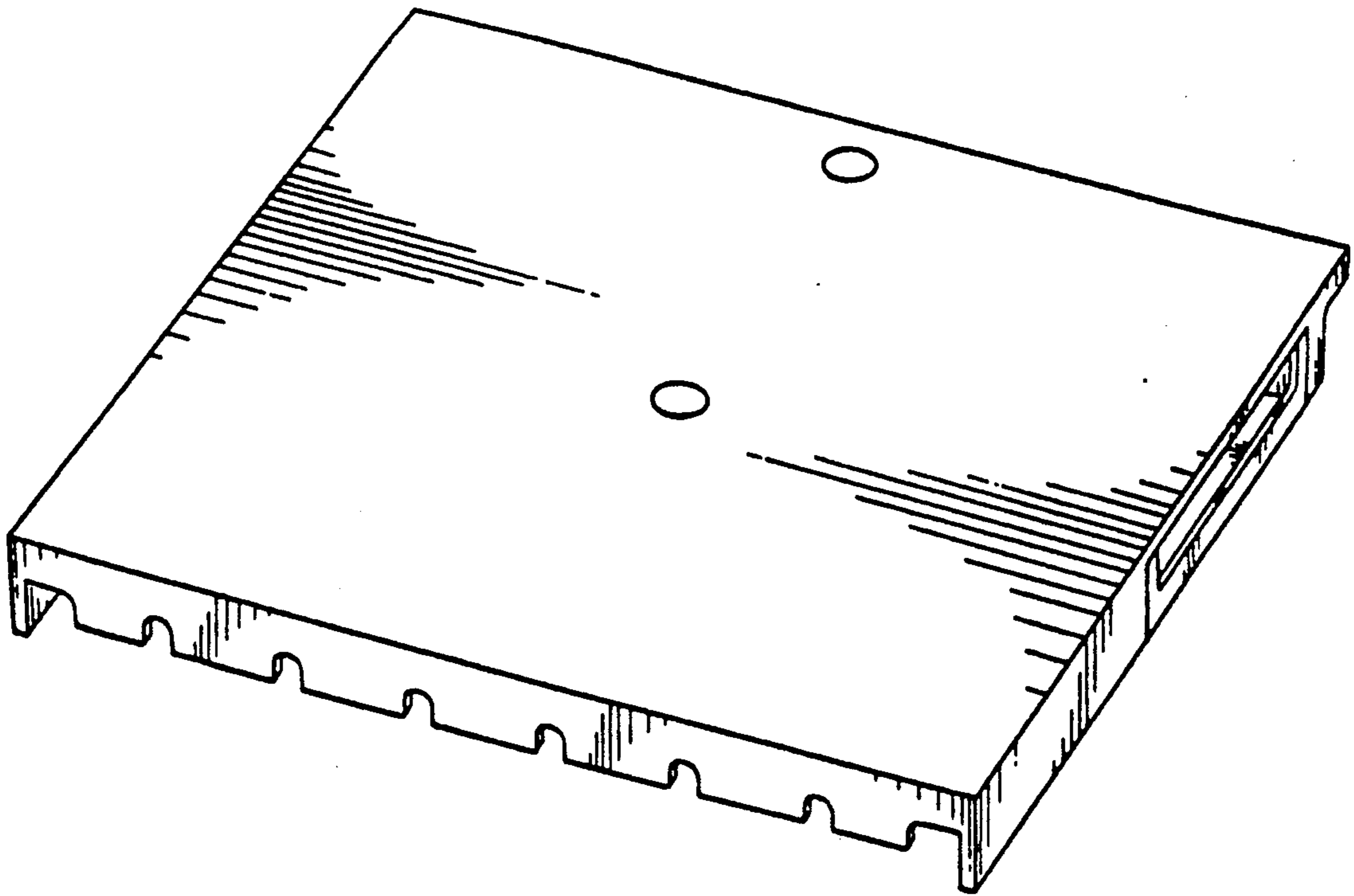


FIG. 8

