



US00D334914S

# United States Patent [19]

Walter et al.

[11] Patent Number: **Des. 334,914**

[45] Date of Patent: **\*\* Apr. 20, 1993**

## [54] CABLE CONNECTOR

[76] Inventors: **Gerard S. Walter**, 2625 Hardies Rd., Glenshaw, Pa. 15116; **John Hagan**, Hardies Rd., Gibsonia, Pa. 15044

[\*\*] Term: **14 Years**

[21] Appl. No.: **579,497**

[22] Filed: **Sep. 10, 1990**

[52] U.S. Cl. .... **D13/151; D13/147**

[58] Field of Search ..... **D13/120, 148, 149; 439/411, 412, 791, 798, 801, 809, 810, 812, 814**

## [56] References Cited

### U.S. PATENT DOCUMENTS

3,191,139	6/1965	Schiffmann .....	D13/149 X
3,727,171	4/1973	Coles .....	339/22
4,231,633	11/1980	Luke .....	339/242
4,500,161	2/1985	Keglewitsch .....	339/242
4,640,571	2/1987	Walter et al. ....	439/791
4,778,412	10/1988	Walter et al. ....	439/798
5,004,437	4/1991	Walter et al. ....	439/791 X

## FOREIGN PATENT DOCUMENTS

1270059 7/1961 France ..... 439/721

## OTHER PUBLICATIONS

Tap connectors on pp. 11 and 12 of *IlSCO 1986 Pocket Guide. e*

*Primary Examiner*—Wallace R. Burke

*Assistant Examiner*—Joel Sincavage

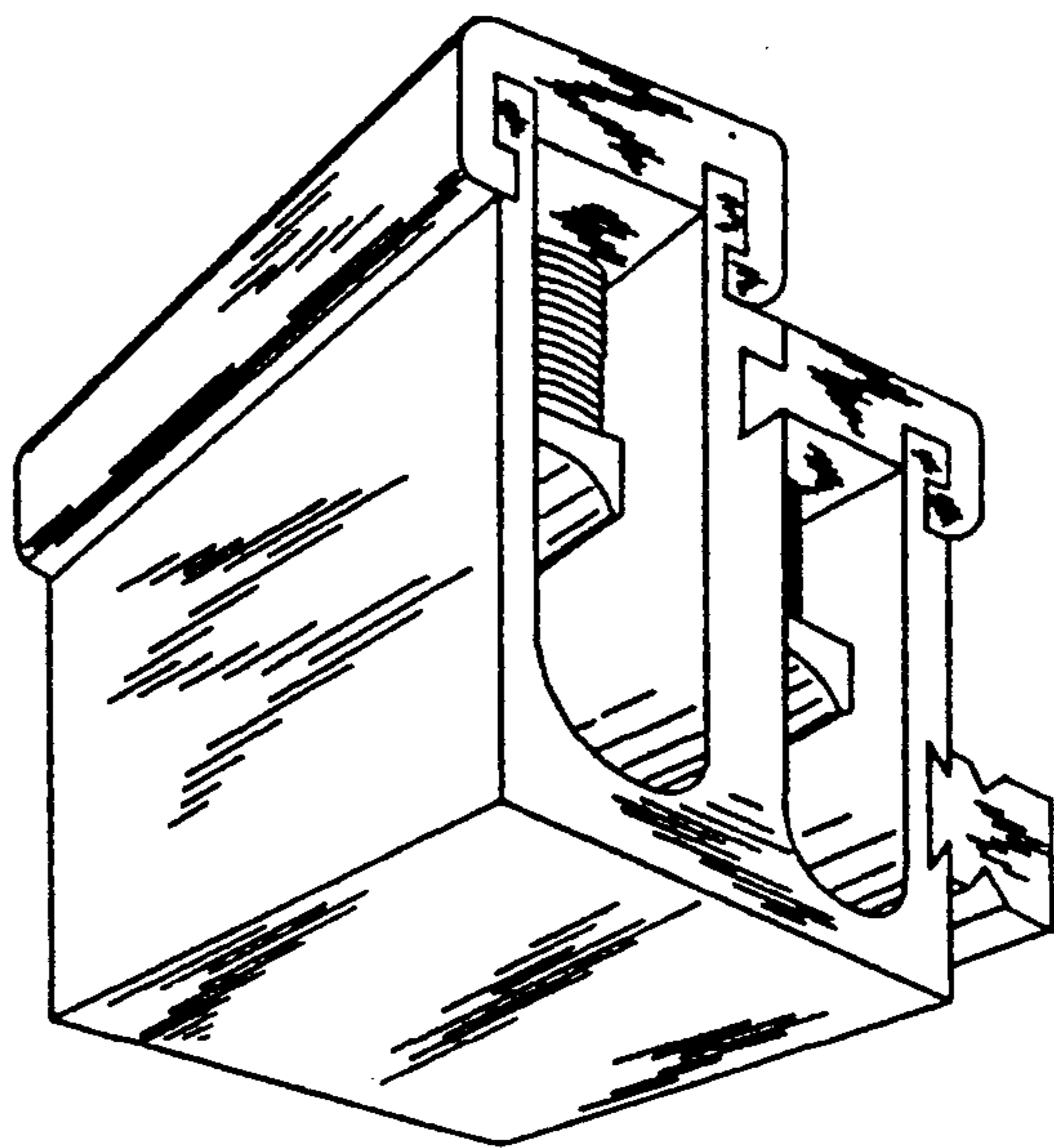
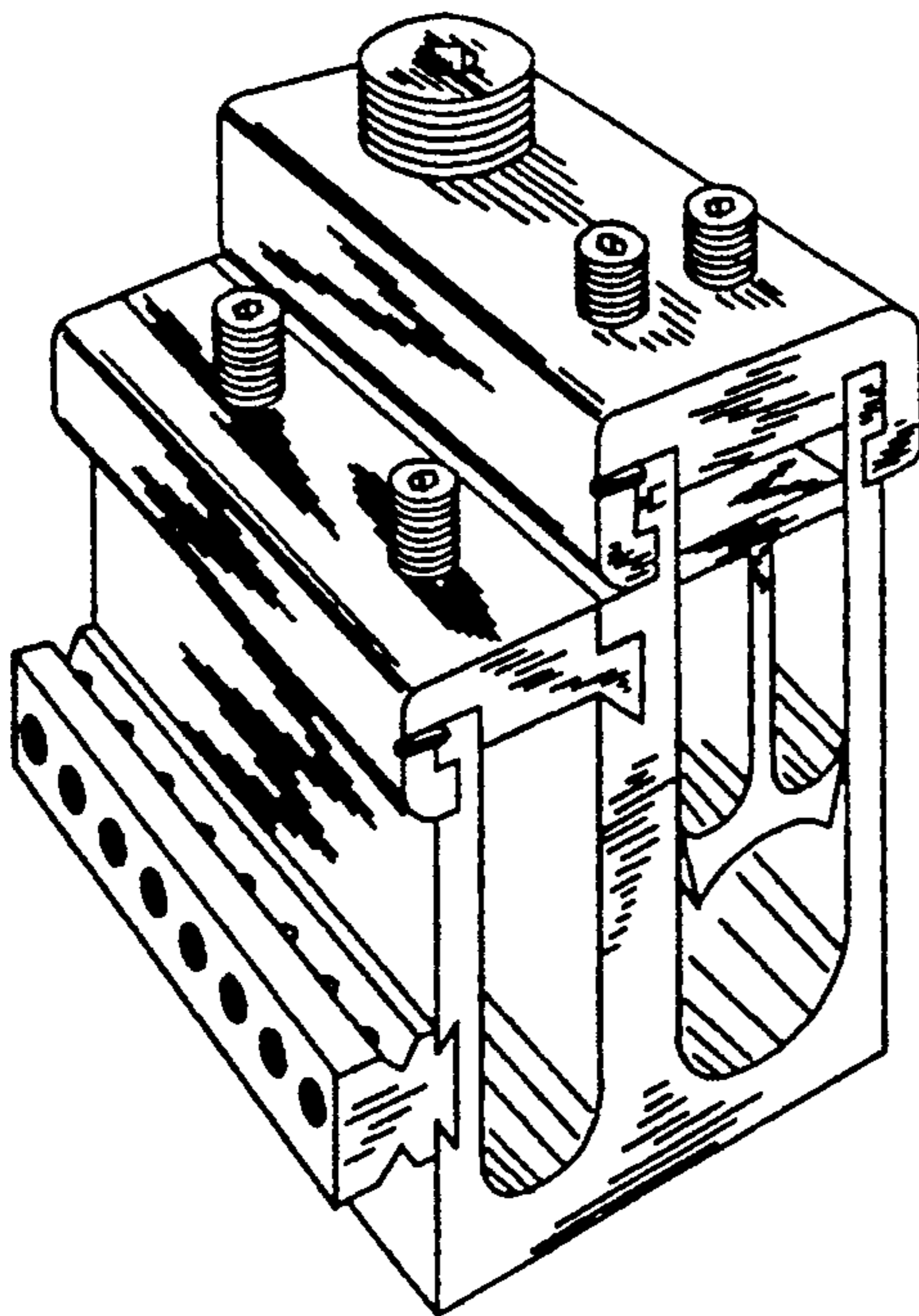
*Attorney, Agent, or Firm*—Buchanan Ingersoll

## [57] CLAIM

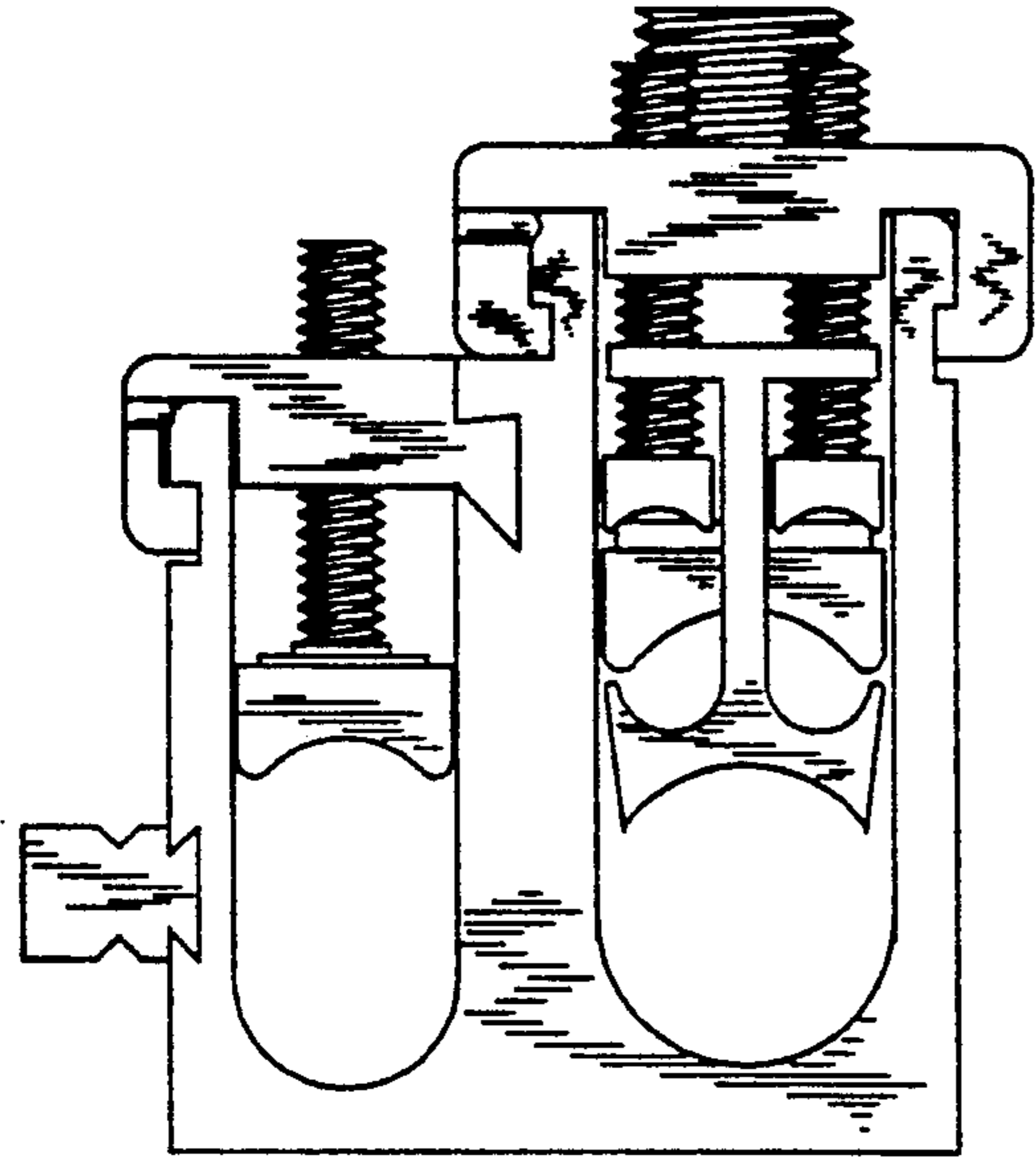
The ornamental design for a cable connector, as shown and described.

## DESCRIPTION

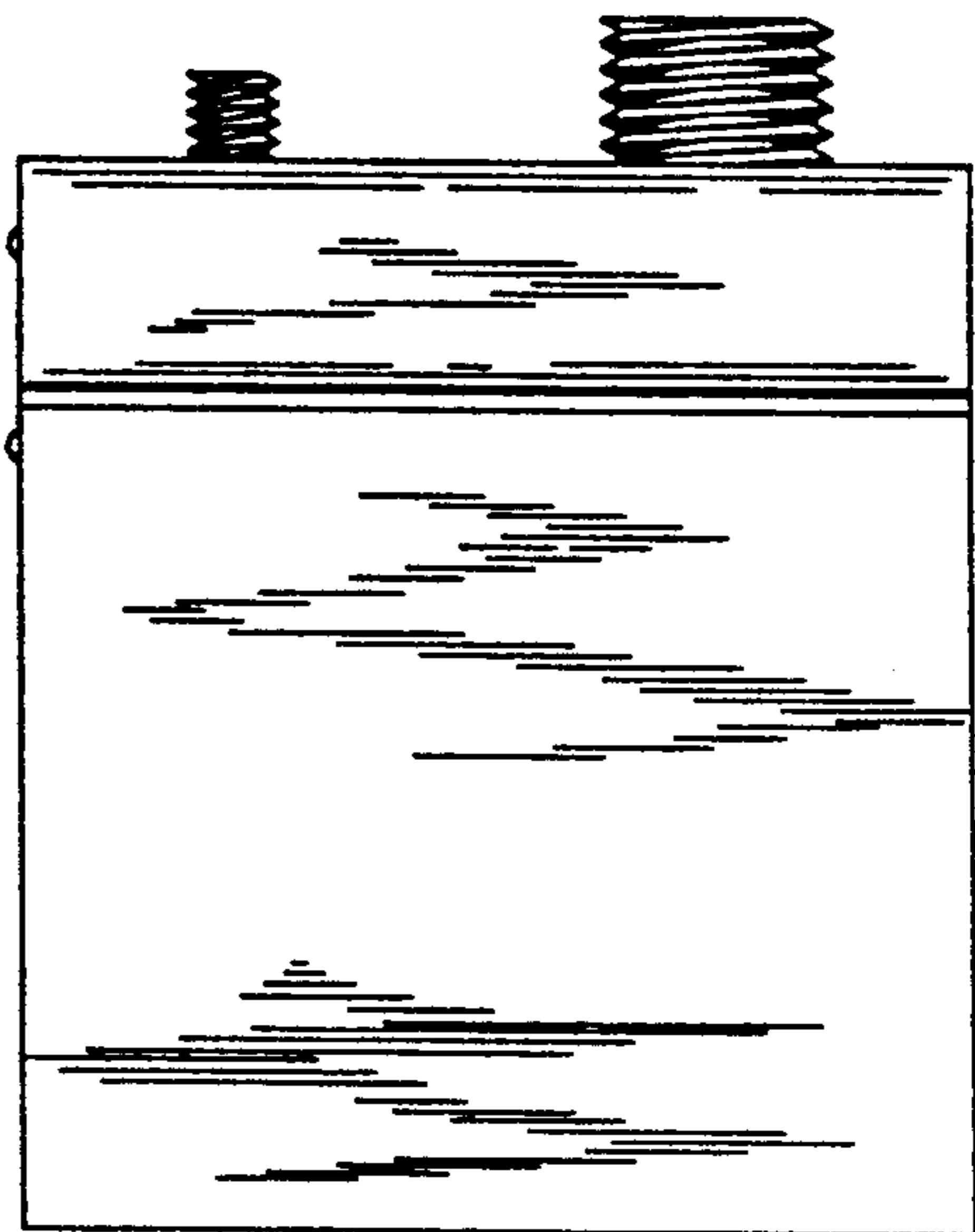
FIG. 1 is a front elevational view of a cable connector showing our new design;  
 FIG. 2 is a right side elevational view thereof;  
 FIG. 3 is a back elevational view thereof;  
 FIG. 4 is a left side elevational view thereof;  
 FIG. 5 is a top plan view thereof;  
 FIG. 6 is a bottom plan view thereof;  
 FIG. 7 is a front and upper left perspective view thereof shown on a reduced scale; and,  
 FIG. 8 is a rear and lower right perspective view thereof shown on a reduced scale.



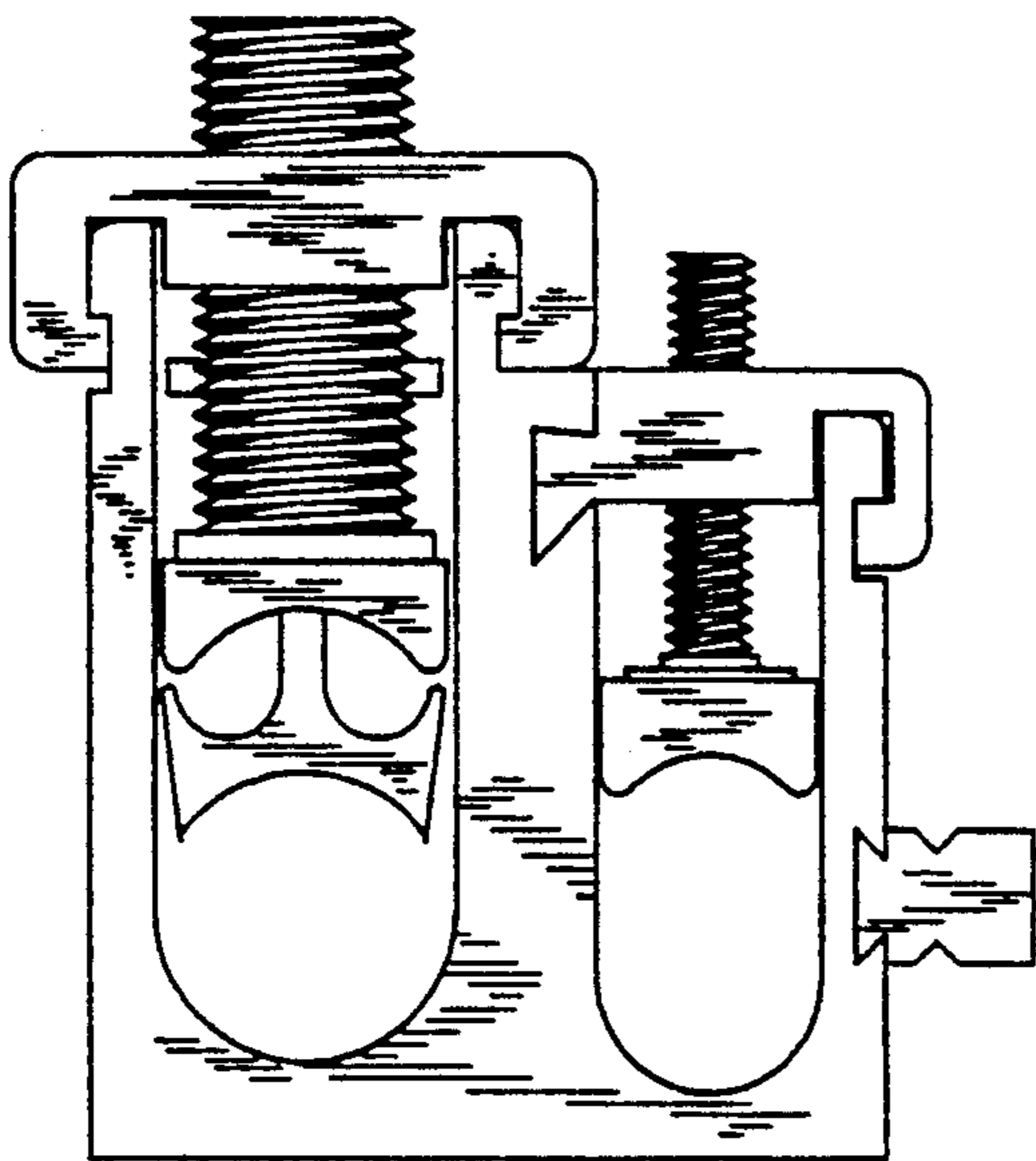
*Fig.1.*



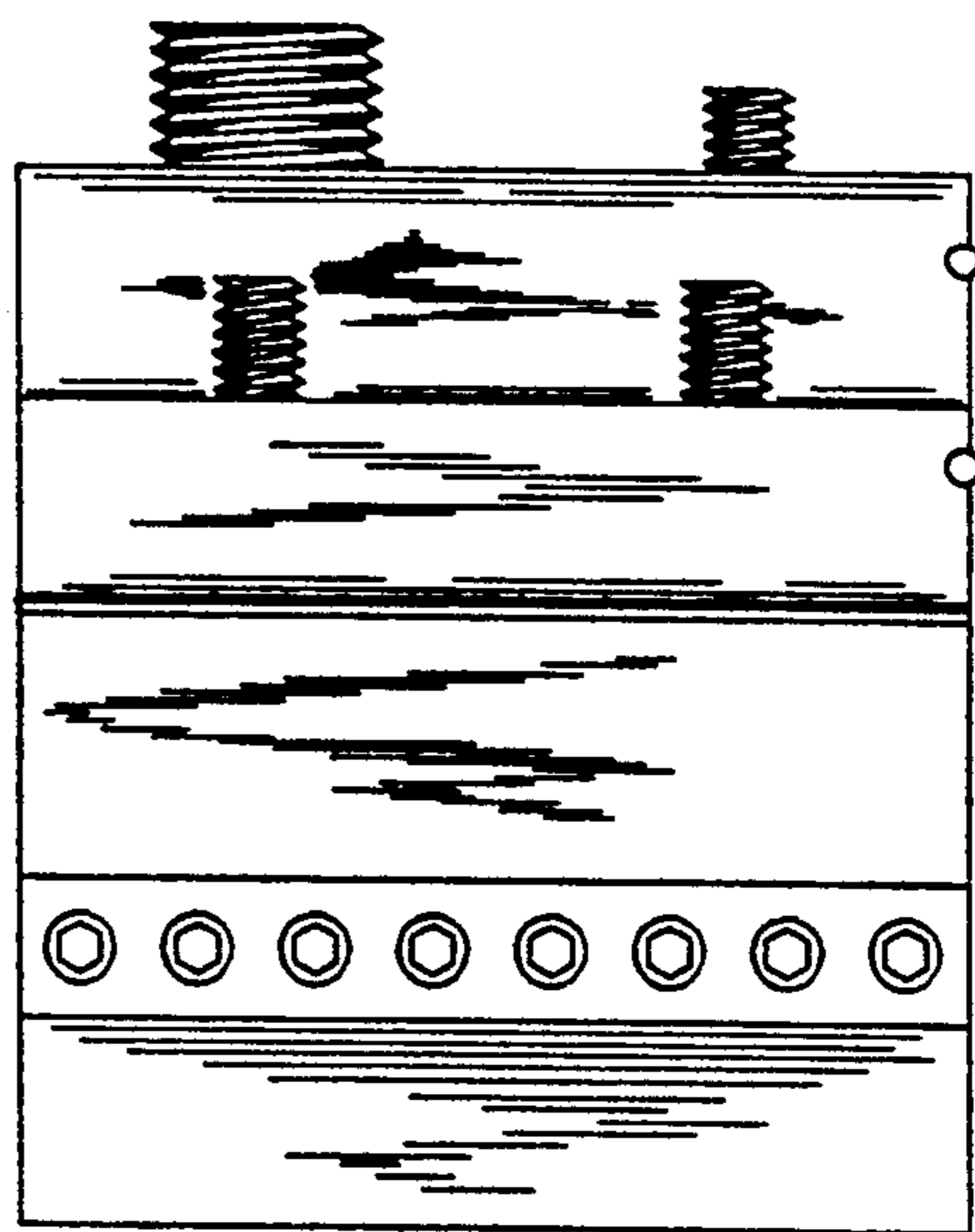
*Fig.2.*



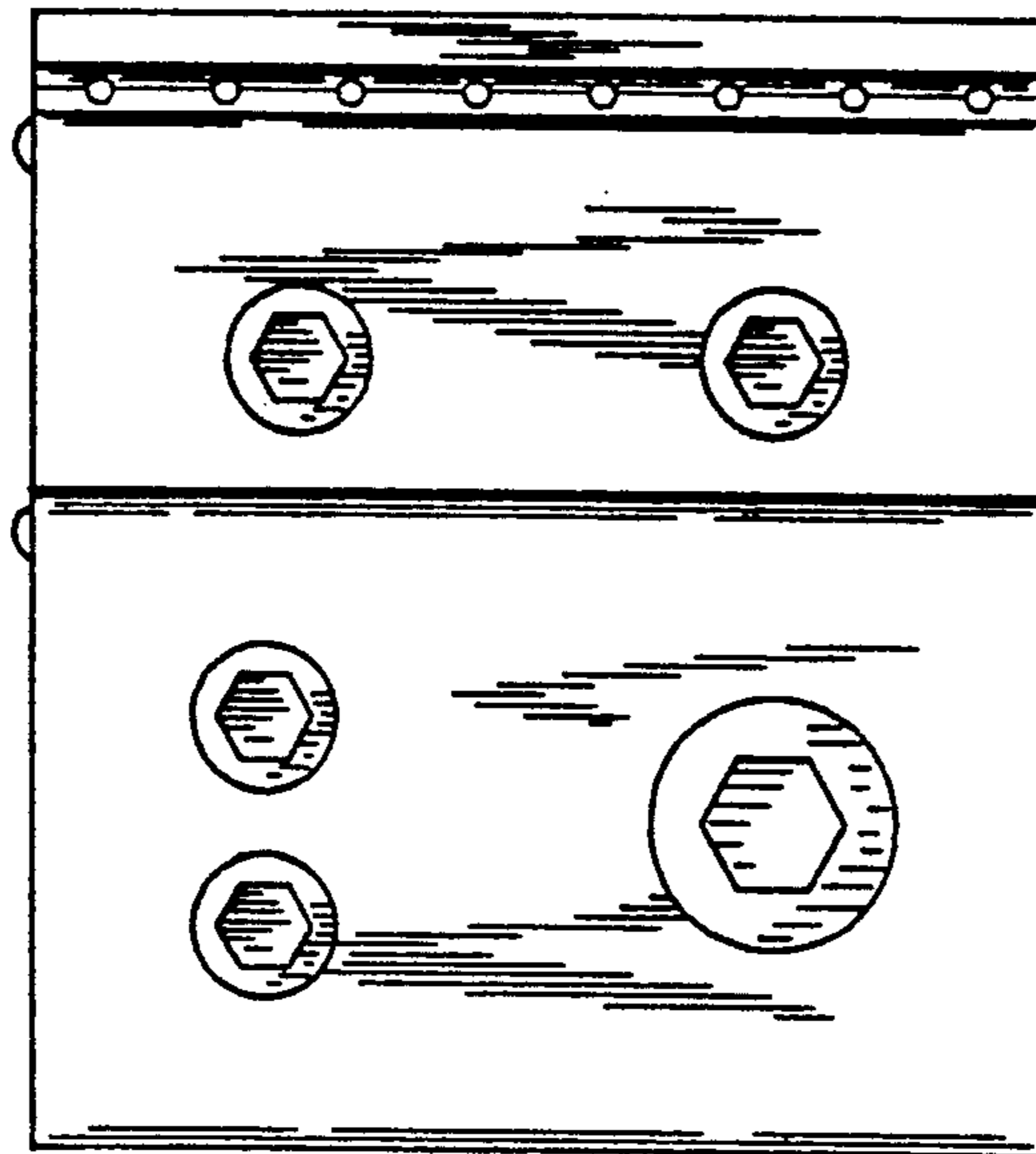
*Fig.3.*



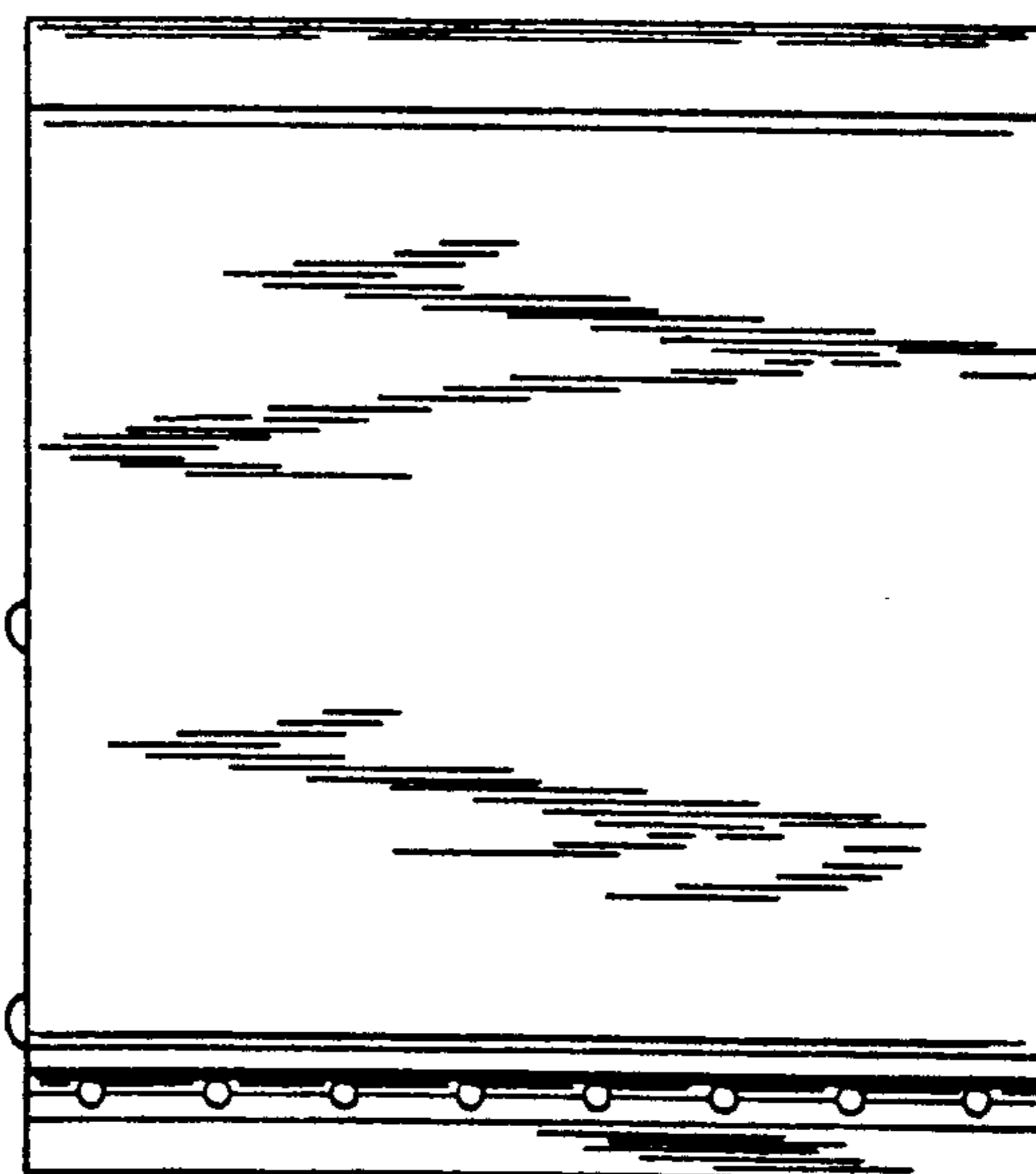
*Fig.4.*



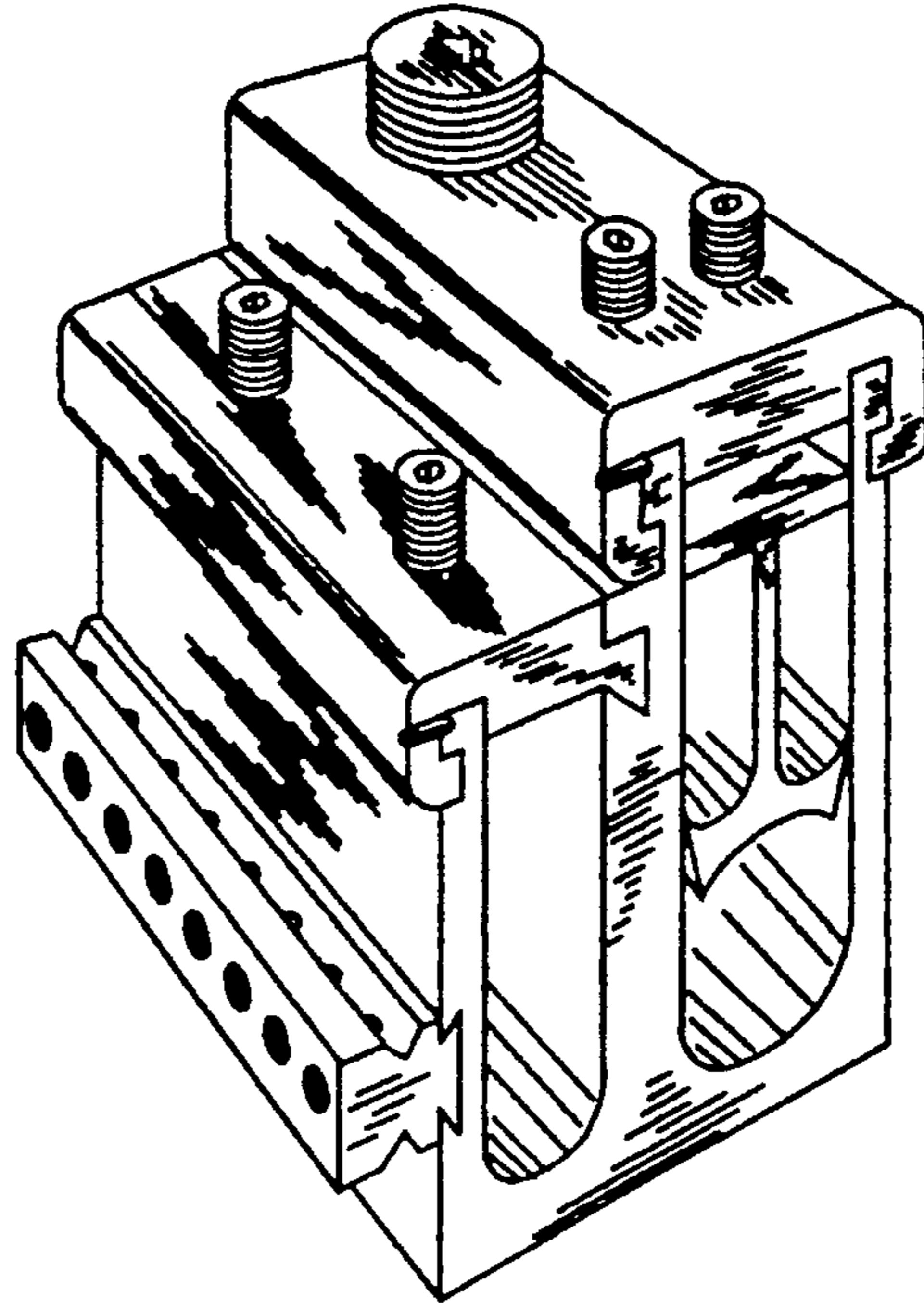
*Fig. 5.*



*Fig. 6.*



*Fig.7.*



*Fig.8.*

