



US00D334911S

United States Patent [19]

[11] Patent Number: **Des. 334,911**

Kucharski

[45] Date of Patent: **** Apr. 20, 1993**

[54] **COMBINED MIRROR FRAME AND HINGED COVER, FOR ATTACHMENT TO A VEHICLE SUN VISOR**

[75] Inventor: **John G. Kucharski, Winchester, Va.**

[73] Assignee: **Automotive Industries, Inc., Strasburg, Va.**

[**] Term: **14 Years**

[21] Appl. No.: **713,337**

[22] Filed: **Jun. 11, 1991**

[52] U.S. Cl. **D12/191**

[58] Field of Search **D12/191, 187; 296/97.5, 296/97.1; 359/838, 841, 844, 871**

[56] **References Cited**

U.S. PATENT DOCUMENTS

D. 194,181	12/1962	Sobel et al.	D12/191
2,148,557	3/1939	Hook	132/79
3,442,414	5/1969	Pelli	220/31
3,738,238	6/1973	Hager	95/11 V
3,740,981	6/1973	Patriquin	70/455
3,843,236	10/1974	Kurz, Jr.	350/288
3,926,470	12/1975	Marcus	296/97 B
4,018,237	4/1977	Steiman	132/83 R
4,068,930	1/1978	Marcus	350/277
4,611,716	9/1986	Sorlien	206/581
4,794,497	12/1988	Jonsas et al.	296/97.5
5,022,699	6/1991	Yoshida	296/97.5
5,059,016	10/1991	Lawassani et al.	359/844

Primary Examiner—James M. Gandy
Attorney, Agent, or Firm—Cushman, Darby & Cushman

[57] **CLAIM**

The ornamental design for a combined mirror frame and hinged cover, for attachment to a vehicle sun visor, as shown and described.

DESCRIPTION

FIG. 1 is a perspective view from the front, bottom and right side, of a combined mirror frame and hinged cover, for attachment to a vehicle sun visor, with the cover thereof shown fully open;

FIG. 2 is a front elevational view thereof;

FIG. 3 is a top plan view thereof;

FIG. 4 is a perspective view thereof from the front, bottom and right side, with the cover thereof shown fully closed;

FIG. 5 is a front elevational view thereof, with the cover thereof shown fully closed;

FIG. 6 is a top plan view thereof, with the cover thereof shown fully closed;

FIG. 7 is a right end elevational view thereof in an inverted condition, with the cover thereof shown fully closed, the left end being a mirror image thereof;

FIG. 8 is a horizontal cross-sectional view on line 8—8 of FIG. 5;

FIG. 9 is a vertical cross-sectional view on line 9—9 of FIG. 5 in an inverted condition;

FIG. 10 is a fragmentary vertical cross-sectional view on line 10—10 of FIG. 2;

FIG. 11 is a fragmentary vertical cross-sectional view on line 11—11 of FIG. 2; and,

FIG. 12 is a fragmentary vertical cross-sectional view on line 12—12 of FIG. 5.

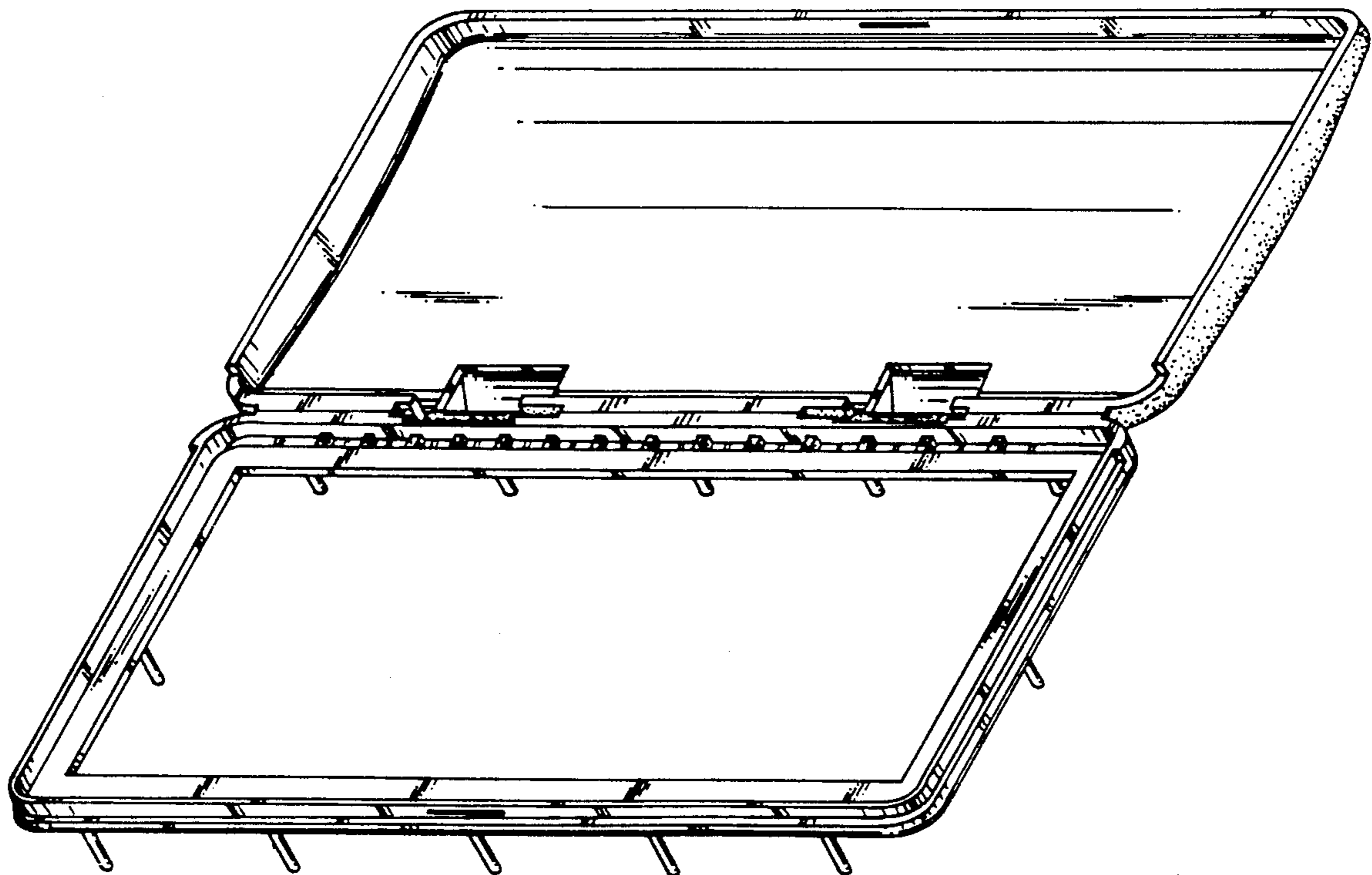


FIG. 1

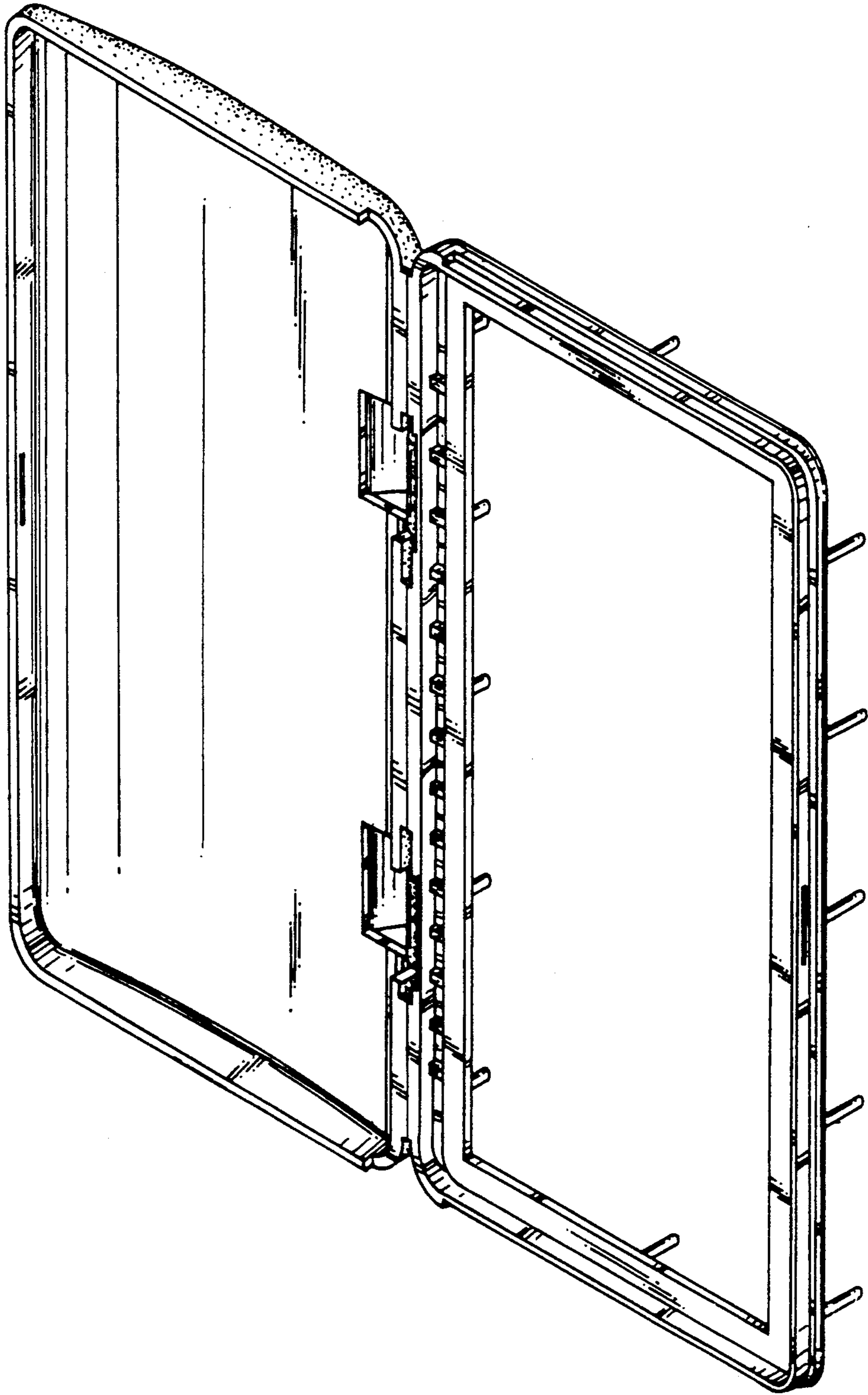


FIG. 2

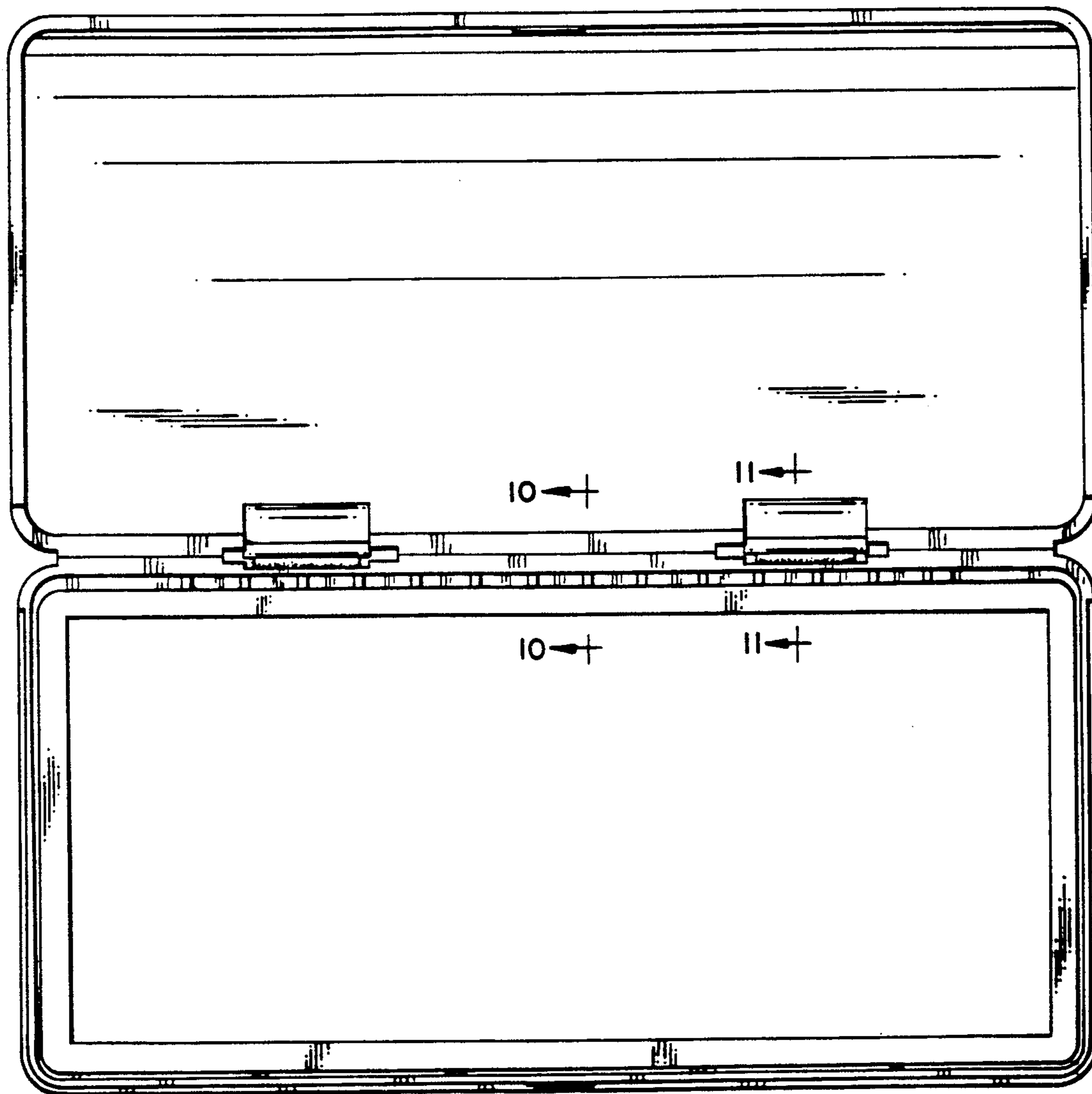
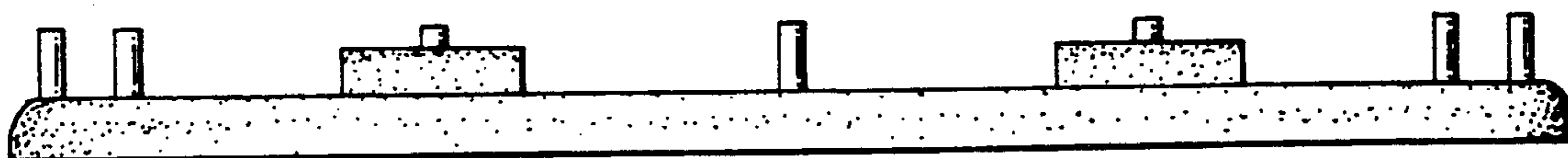


FIG. 3



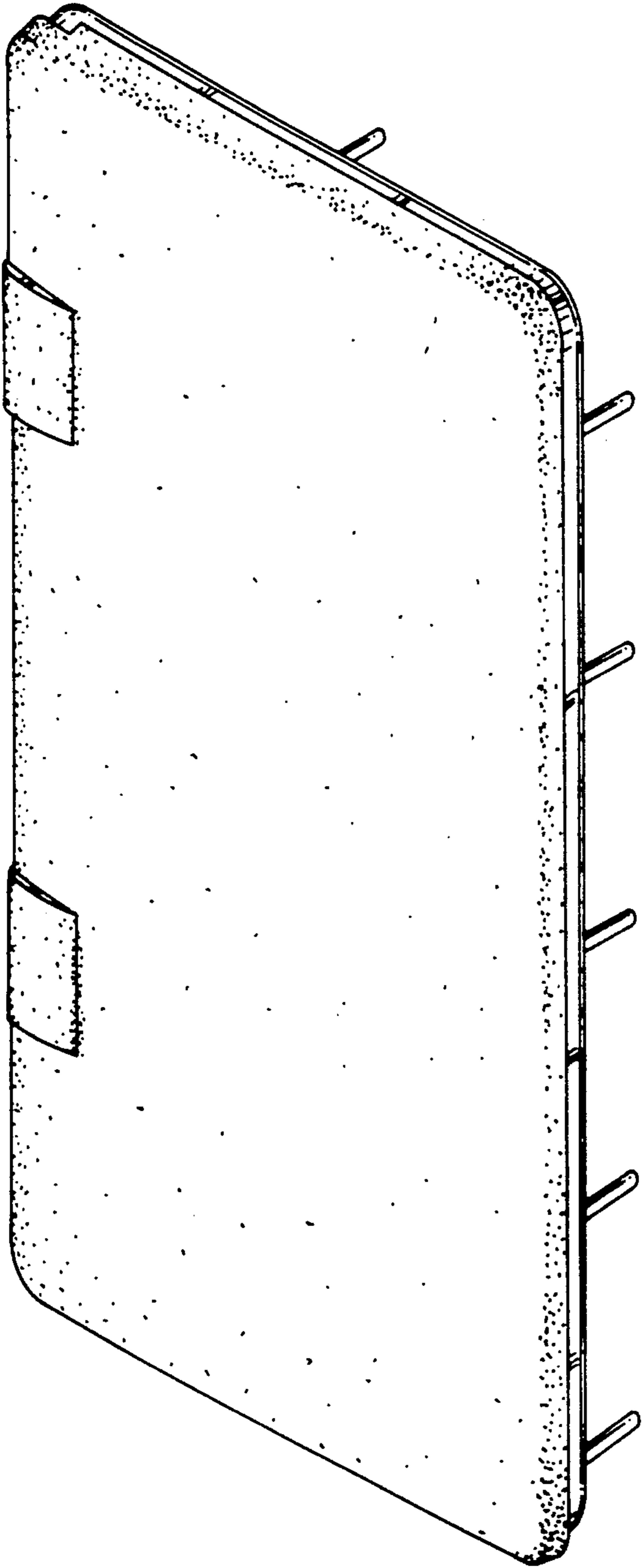


FIG. 4

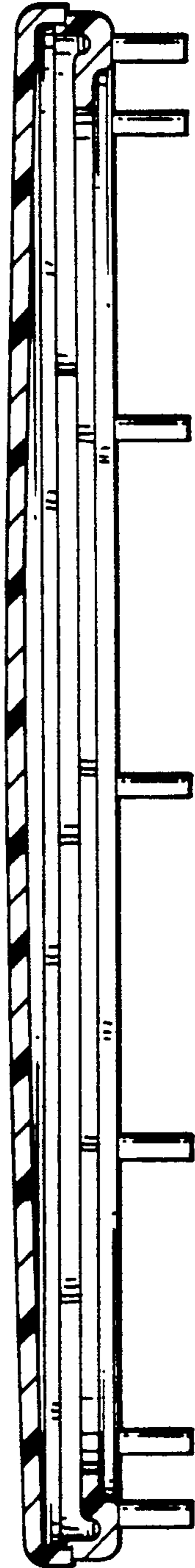
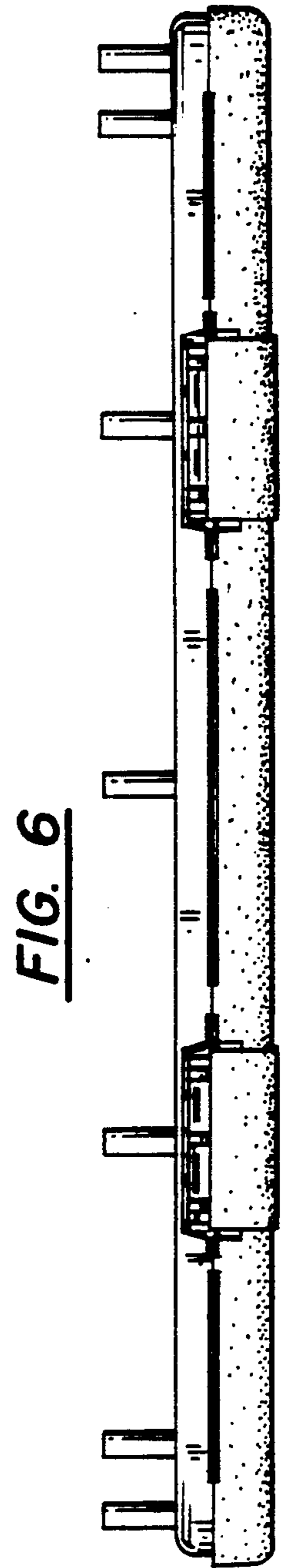
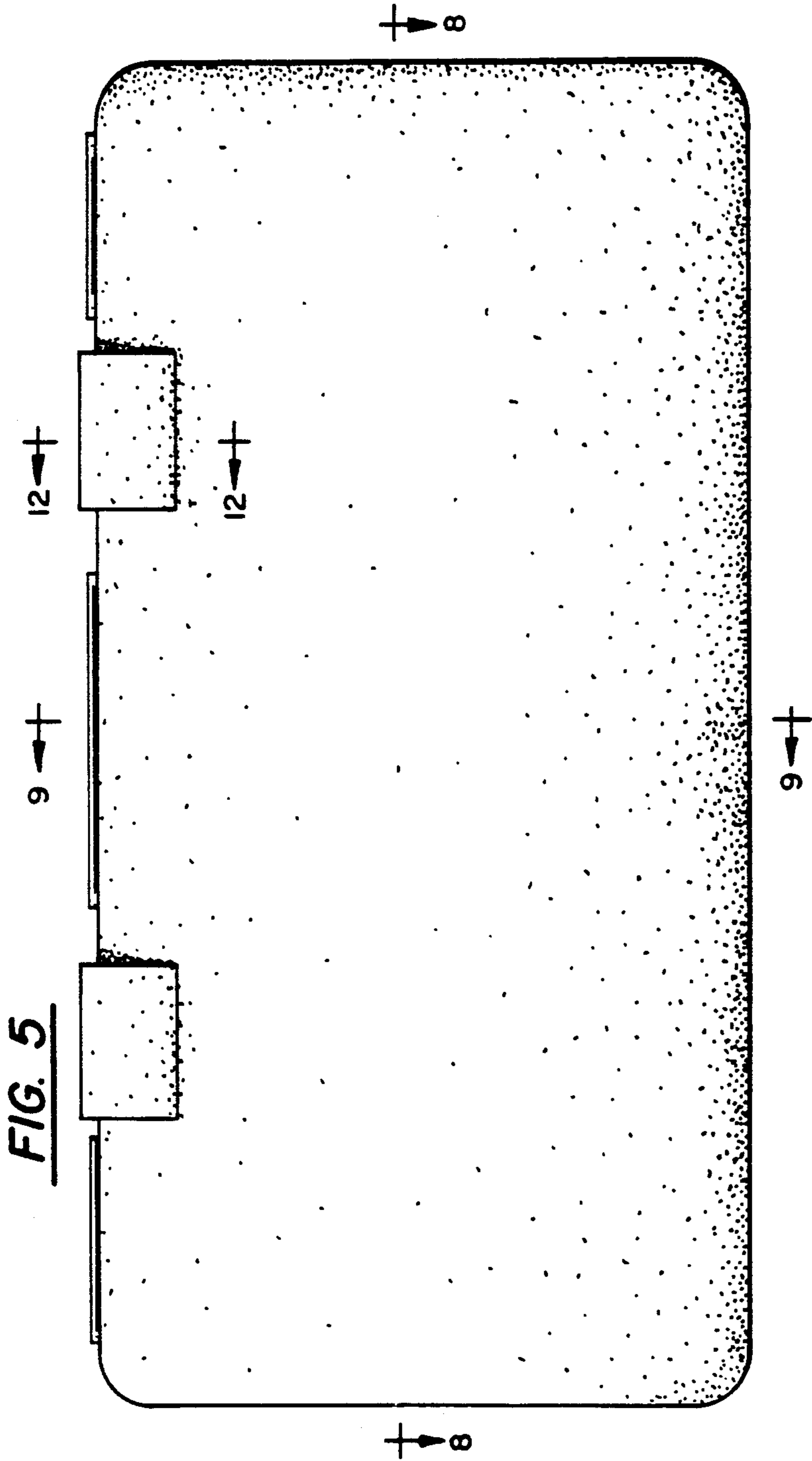


FIG. 8



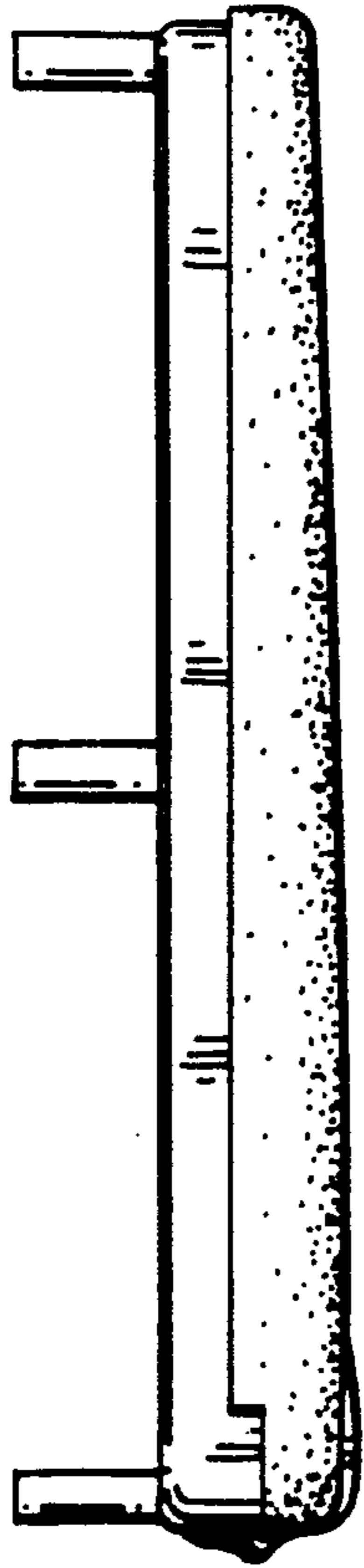


FIG. 7

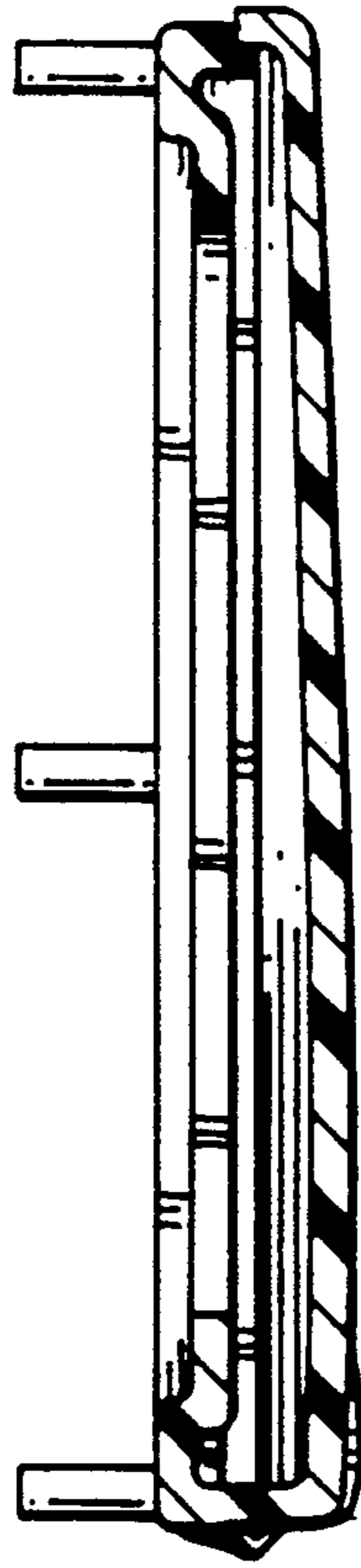


FIG. 9

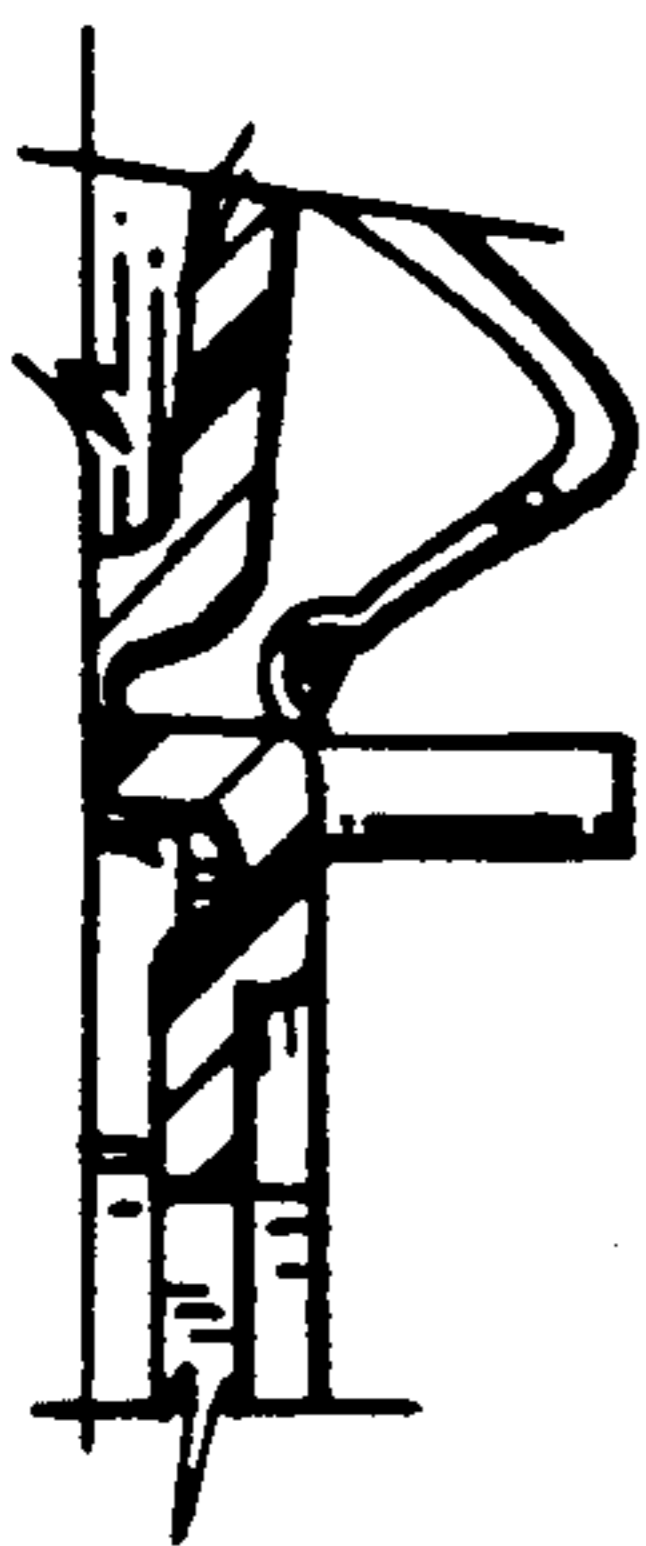


FIG. 10

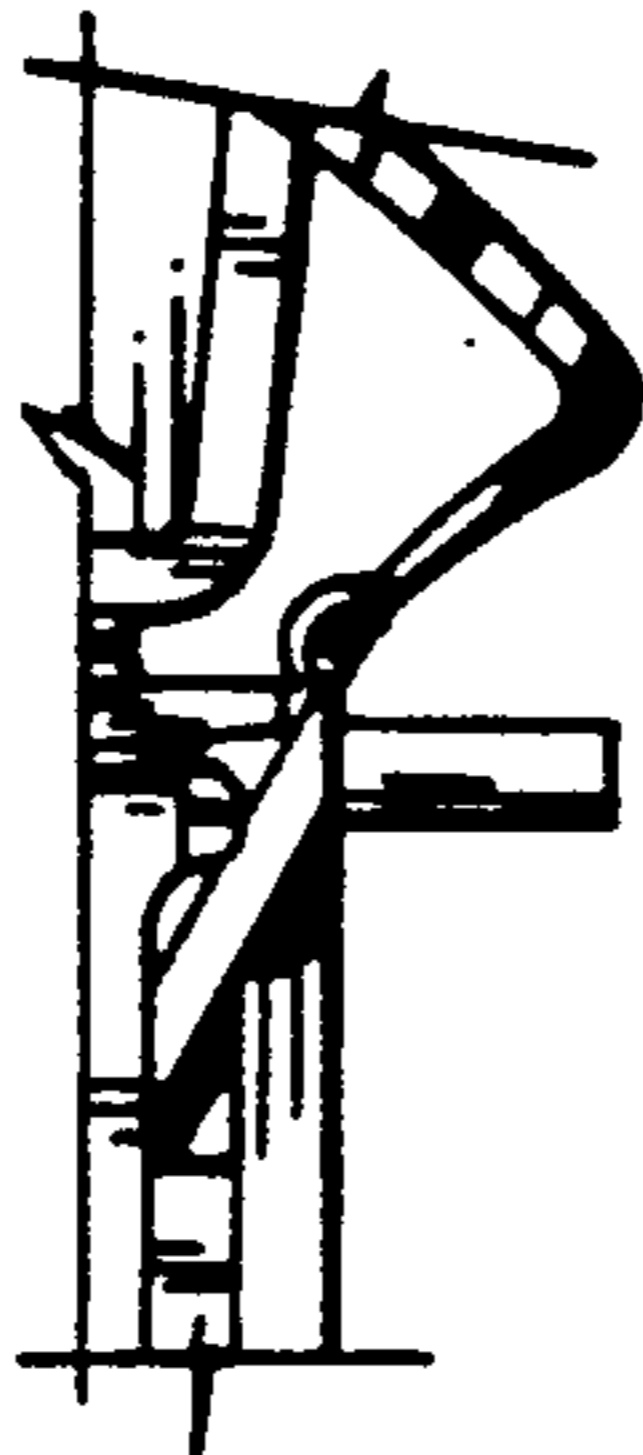


FIG. 11

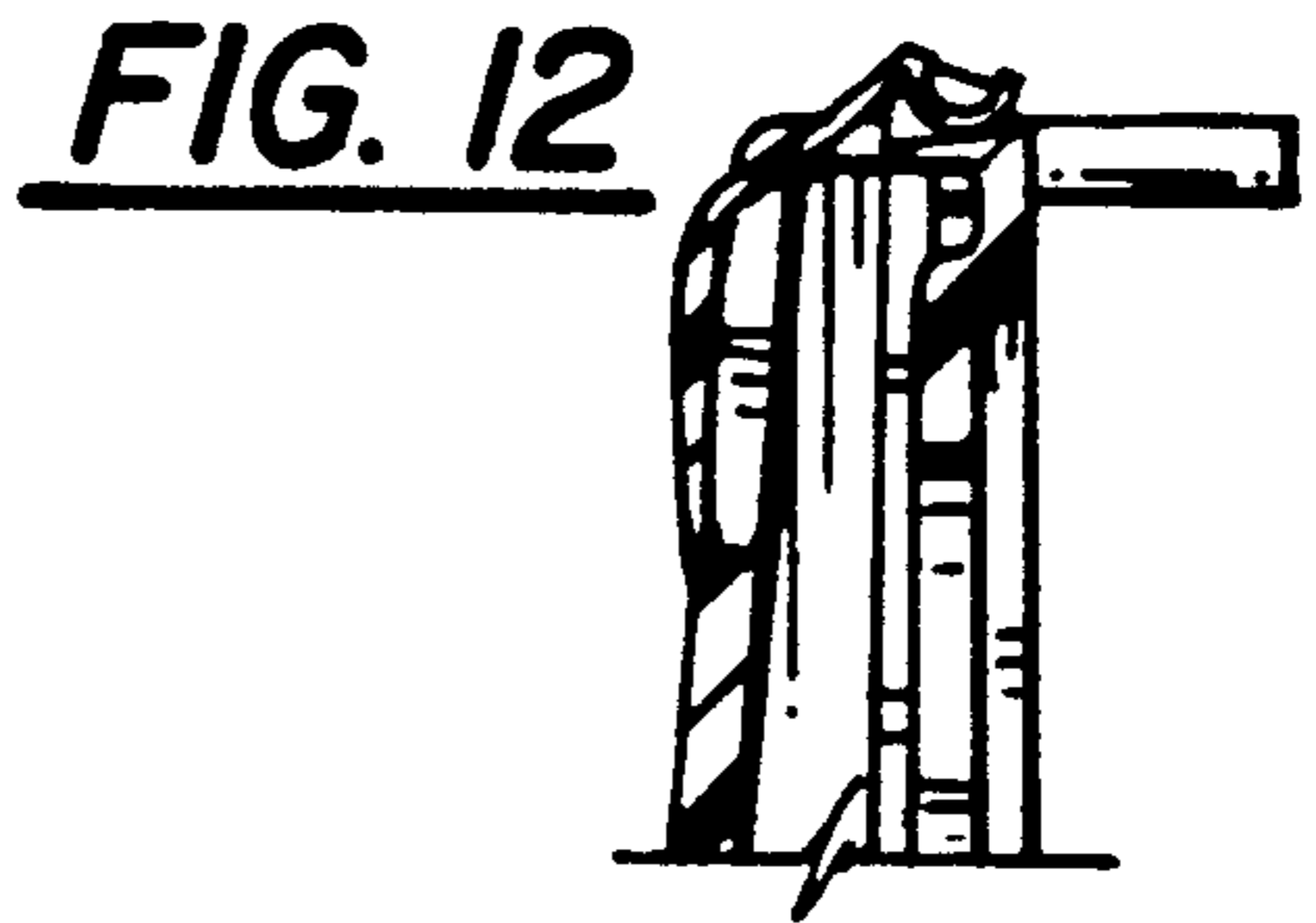


FIG. 12