



US00D334886S

United States Patent [19]
Cortelli et al.

[11] **Patent Number: Des. 334,886**
[45] **Date of Patent: ** Apr. 20, 1993**

[54] **PACKAGE FOR BALL, PUMP, AND CONES**

[56] **References Cited**

[75] **Inventors: David Cortelli, Suffield, Conn.; Frank Carter, Wilbraham; Kenneth W. Pratt, Ware, both of Mass.**

U.S. PATENT DOCUMENTS

D. 209,867 1/1968 Sijowff D9/418
3,220,520 11/1965 Glantz et al. 206/315.9
3,504,787 4/1970 Brackway D9/415 X
3,987,893 10/1976 Hanson 206/45.31 X

[73] **Assignee: Seneca Sports, Inc., Milford, Mass.**

Primary Examiner—Brian N. Vinson
Attorney, Agent, or Firm—Fish & Richardson

[**] **Term: 14 Years**

[57] **CLAIM**

[21] **Appl. No.: 793,720**

The ornamental design for a package for ball, pump, and cones, as shown and described.

[22] **Filed: Nov. 18, 1991**

DESCRIPTION

Related U.S. Application Data

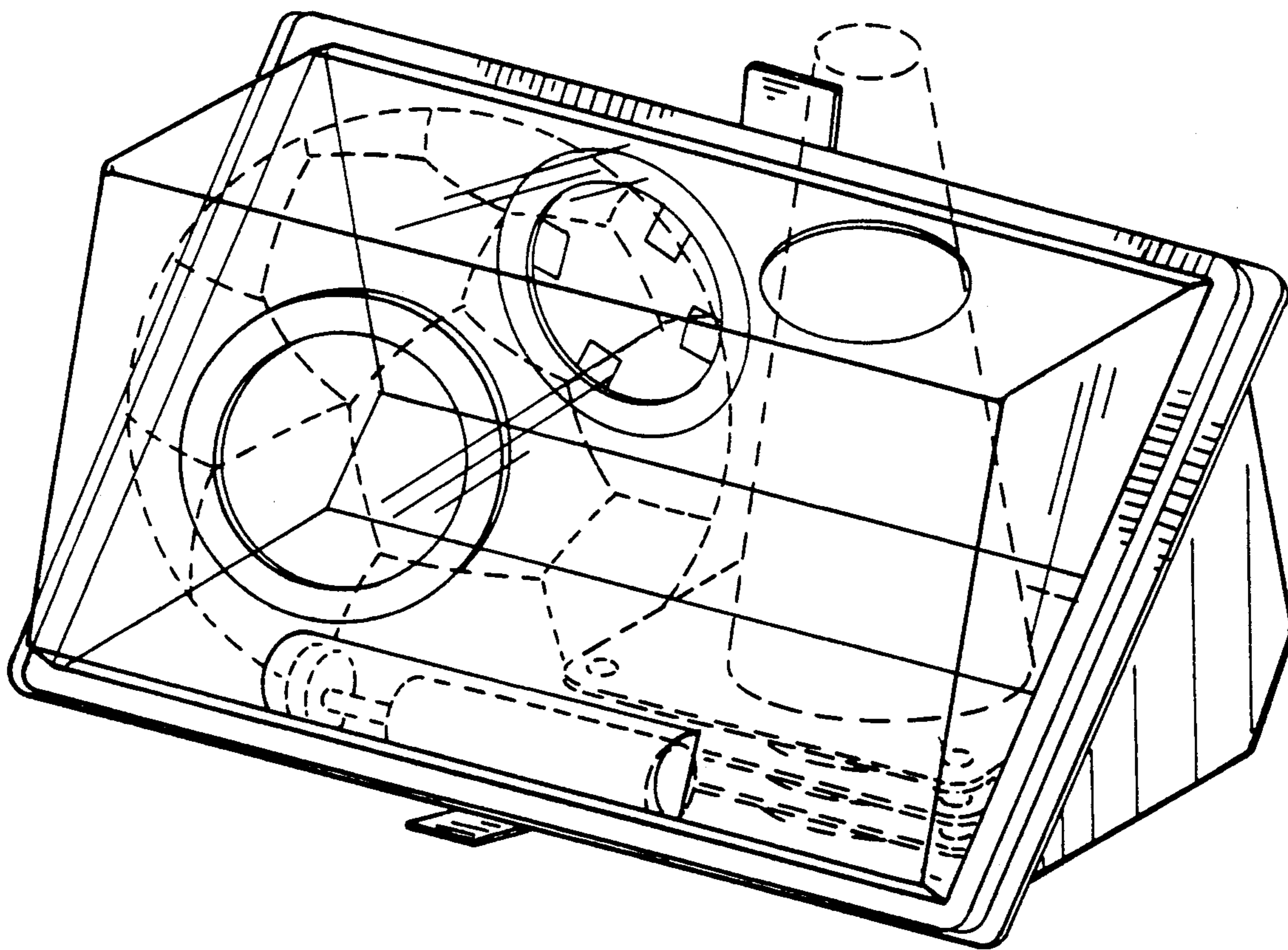
[63] Continuation-in-part of Ser. No. 615,648, Nov. 19, 1990, Pat. No. 329,377.

FIG. 1 is a top, front, and right side perspective view of a package for ball, pump, and cones showing our new design, the broken-line disclosure of the ball, pump, and cones being for illustrative purposes only and forming no part of the claimed design;

[52] **U.S. Cl. D9/418; D6/552; D3/36**

FIG. 2 is a front elevational view thereof;
FIG. 3 is a rear elevational view thereof;
FIG. 4 is a right side elevational view thereof;
FIG. 5 is a left side elevational view thereof;
FIG. 6 is a top plan view thereof; and,
FIG. 7 is a bottom plan view thereof.

[58] **Field of Search D6/512, 552, 449; D9/414-416, 418, 420, 425; D3/36; 206/223, 579, 315.1, 315.9, 315.91, 45.31, 45.19, 45.34**



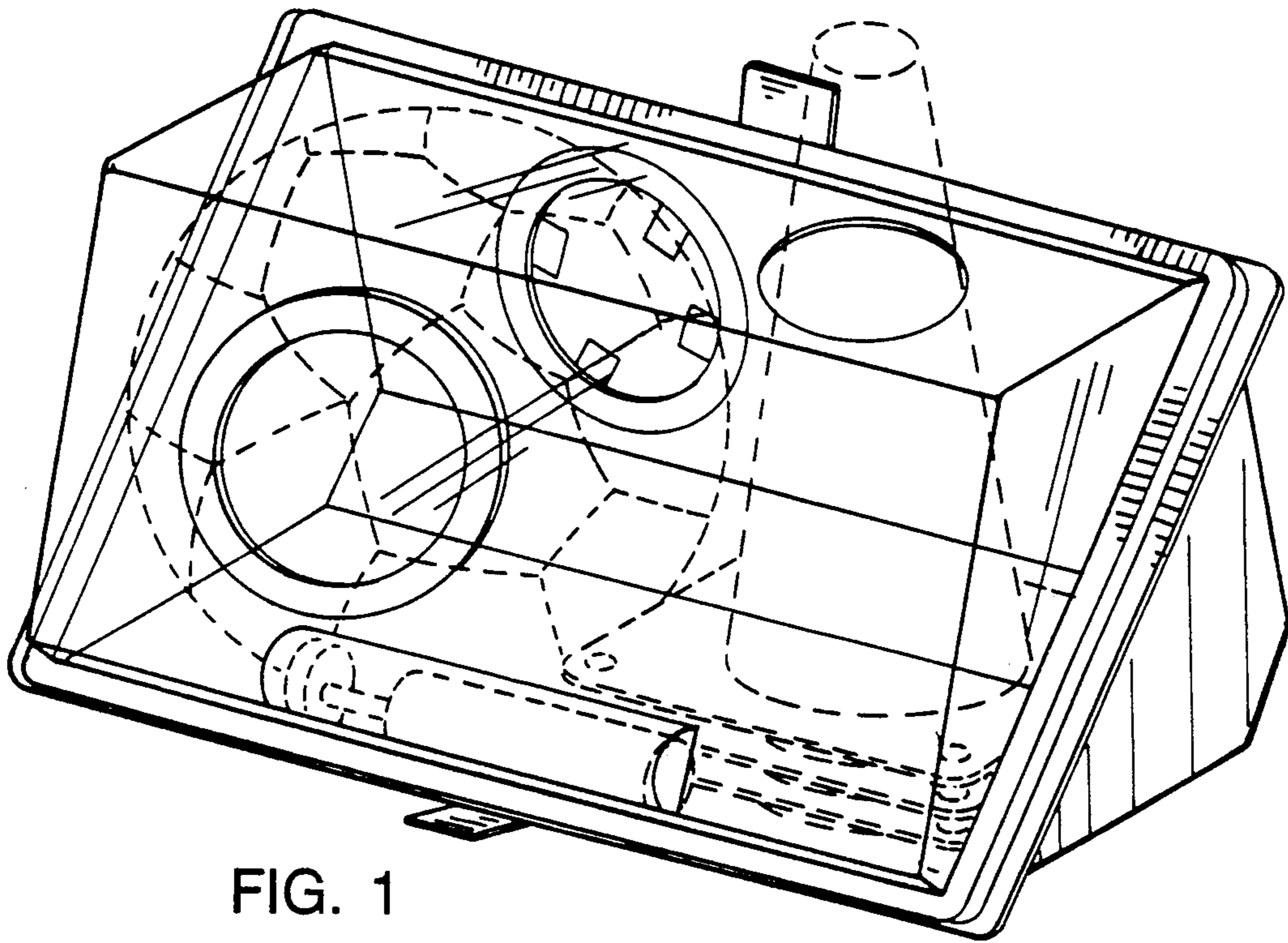


FIG. 1

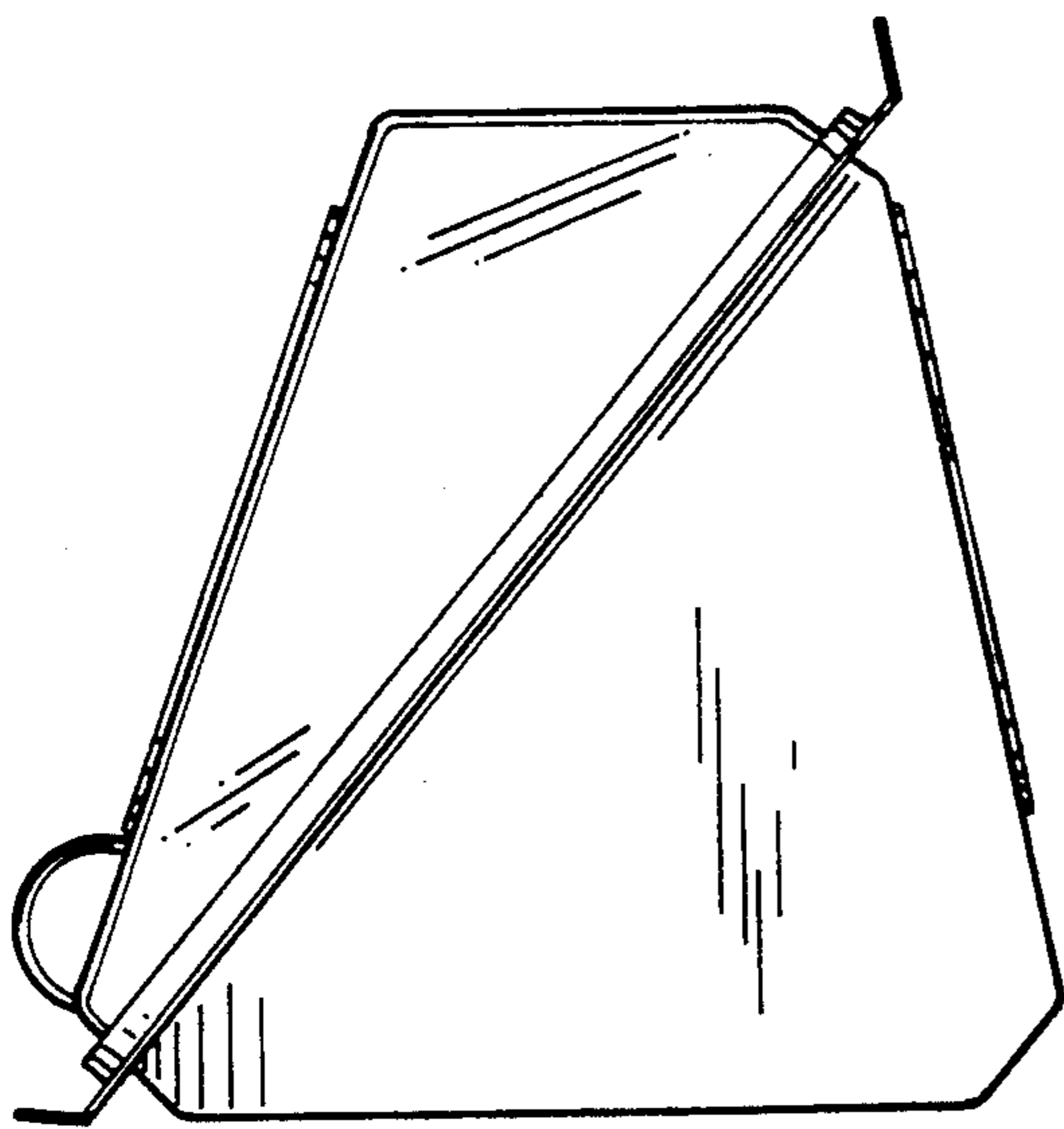


FIG. 4

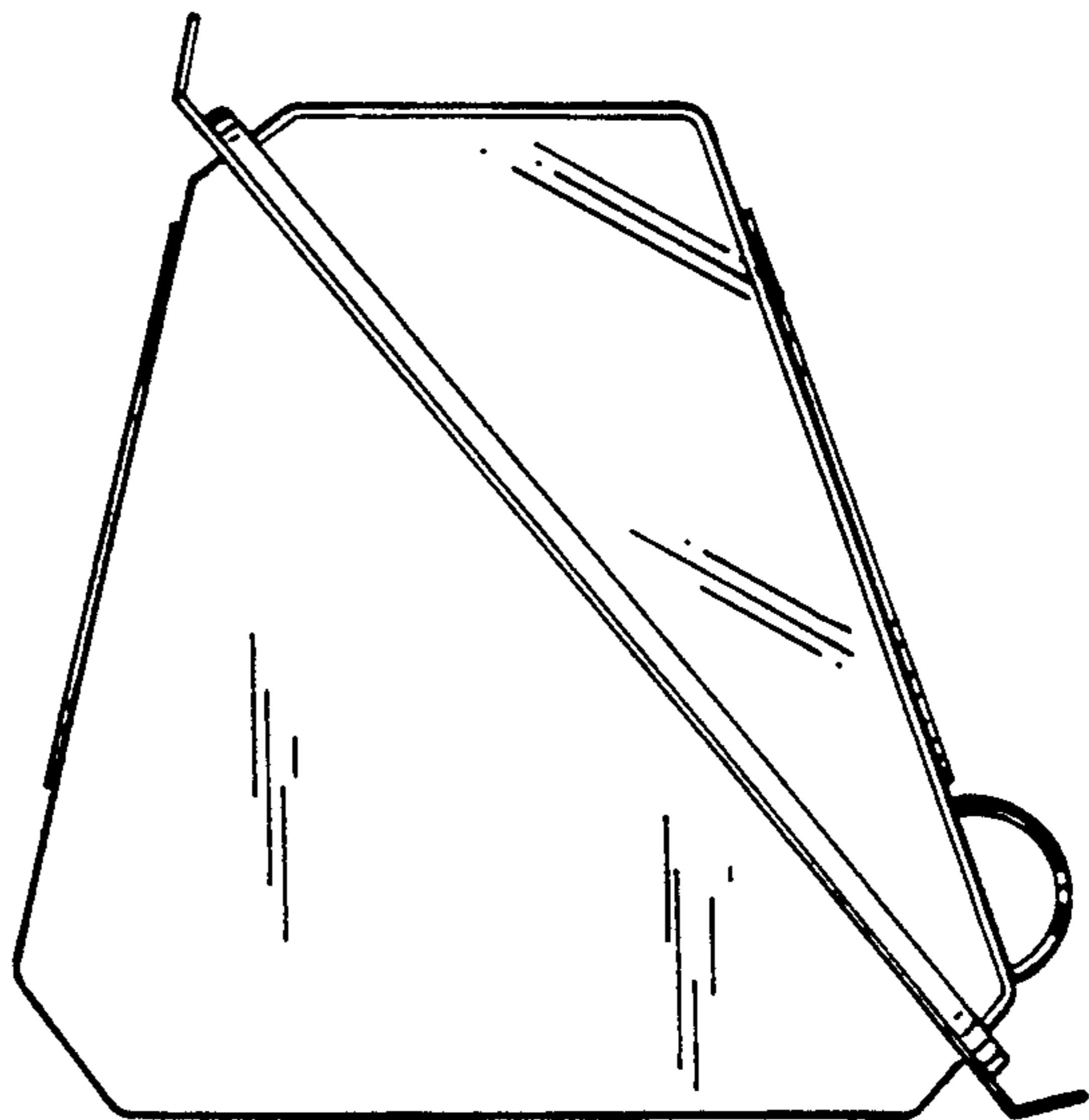


FIG. 5

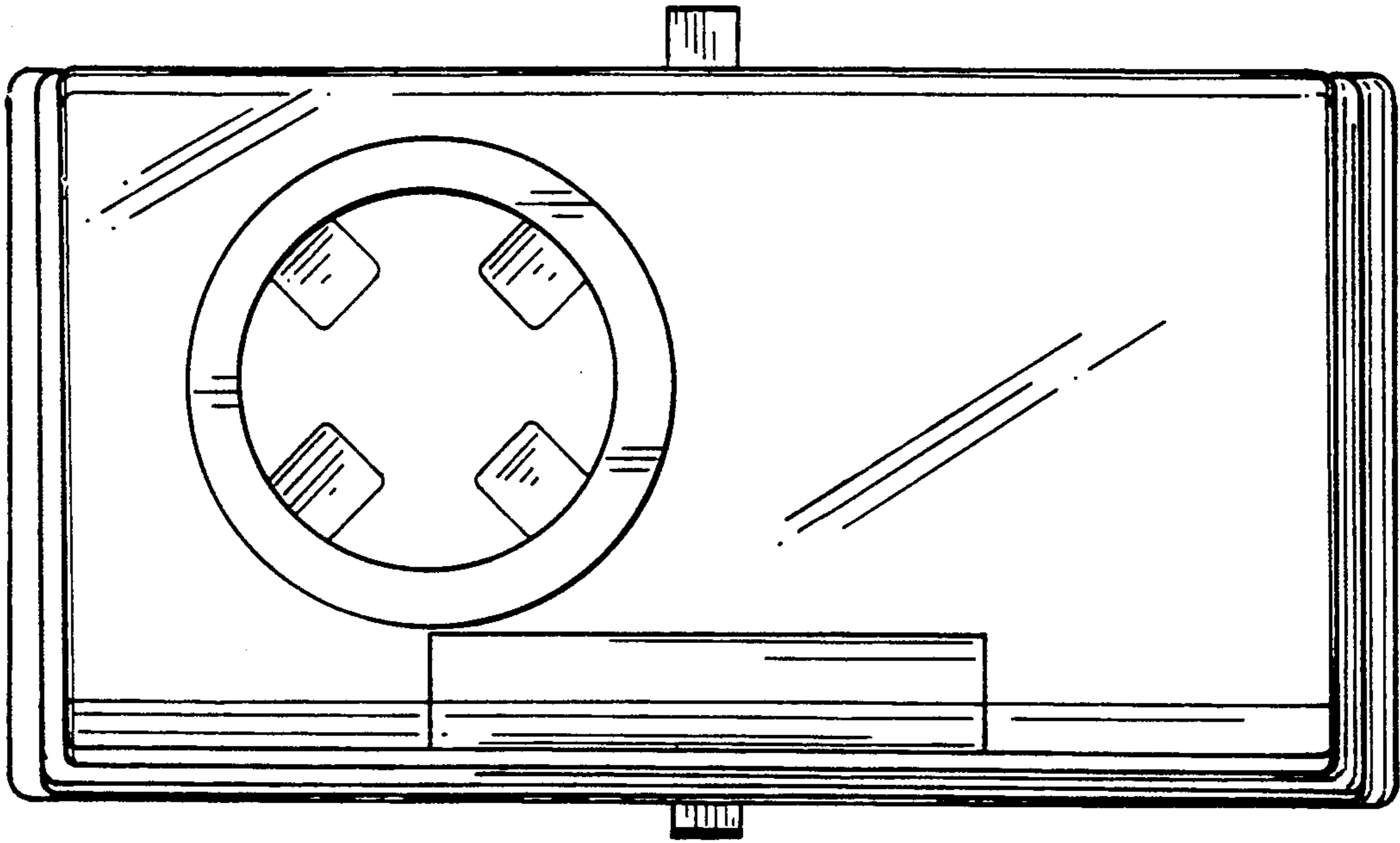


FIG. 2

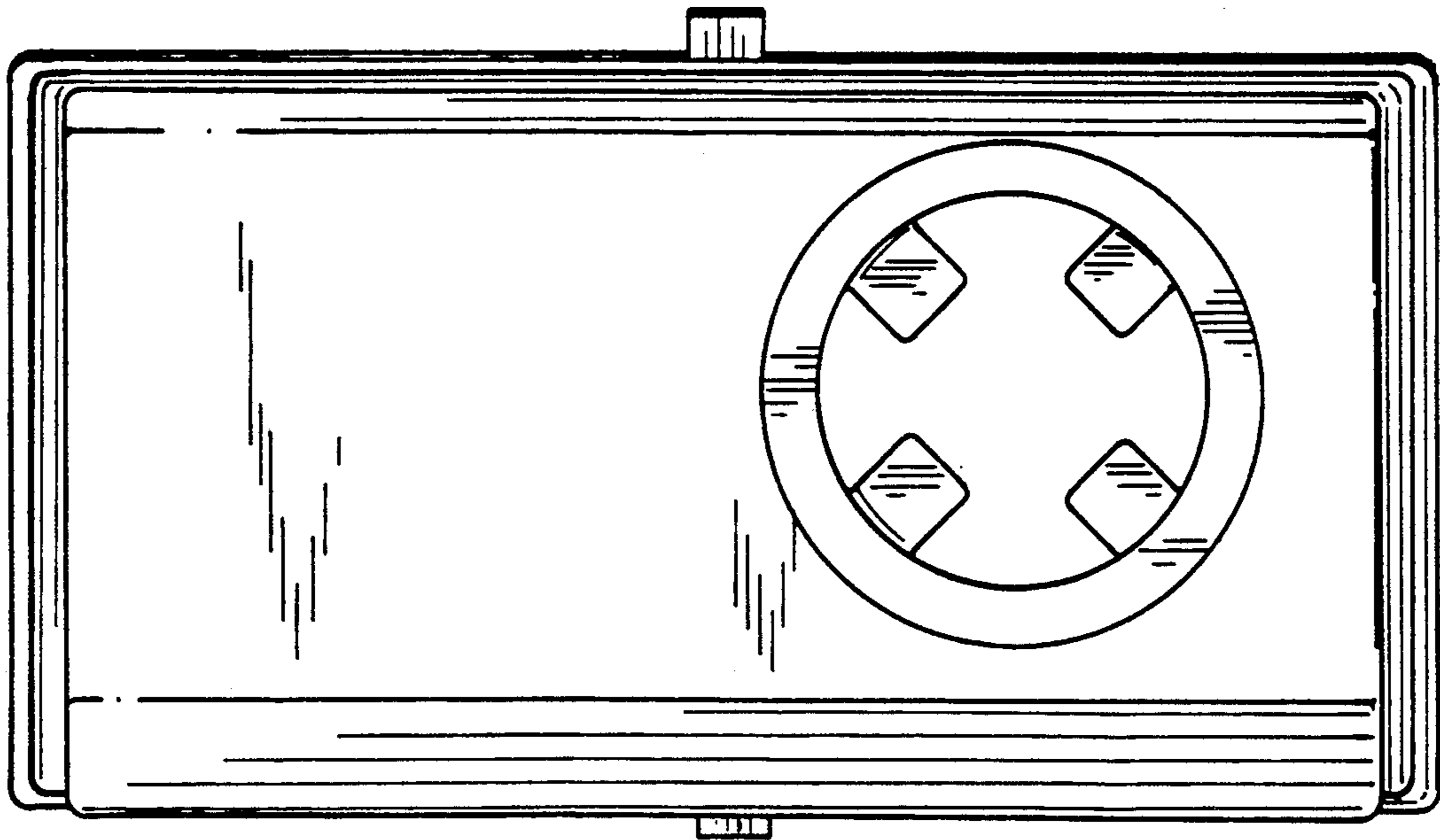


FIG. 3

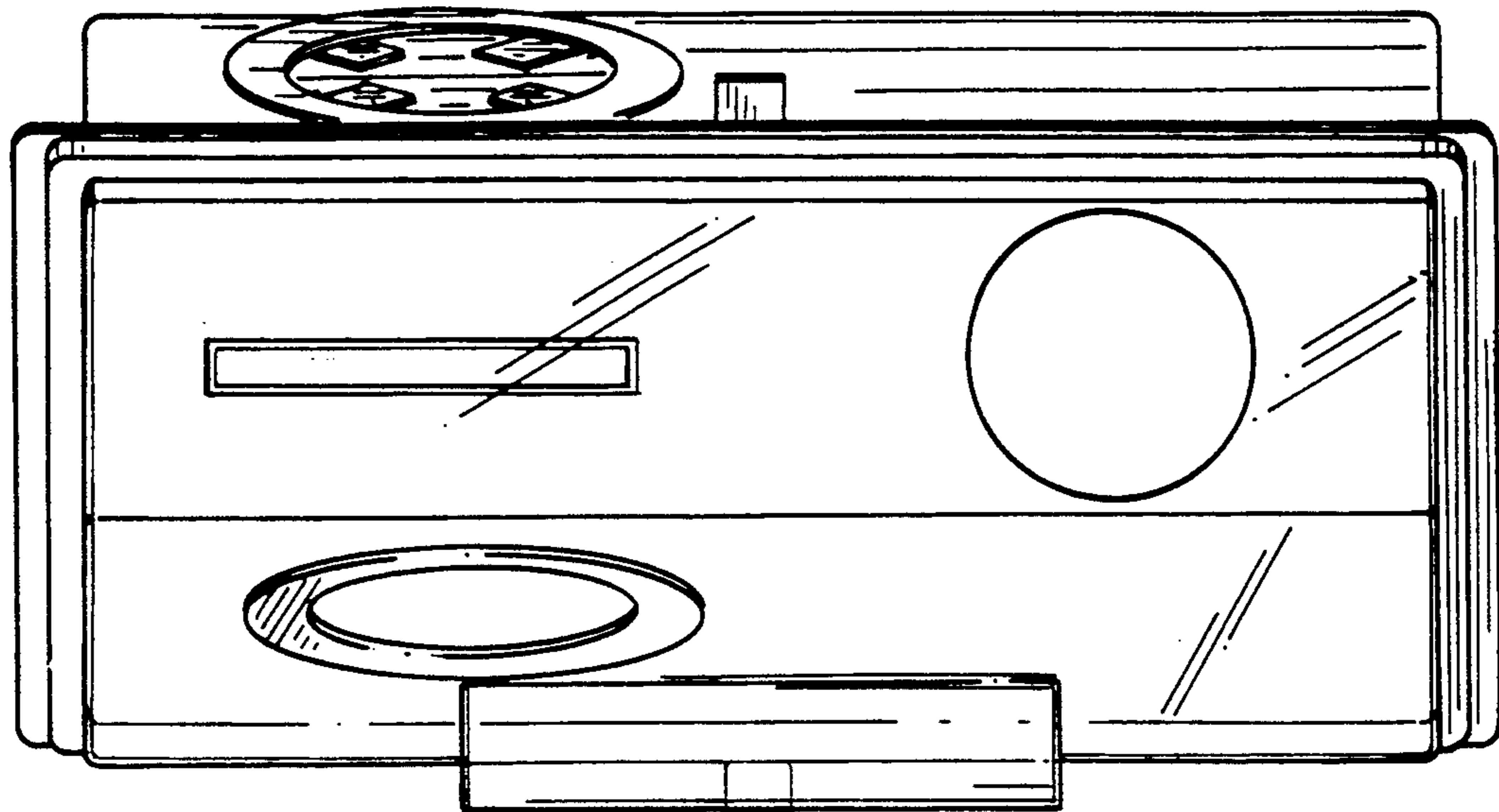


FIG. 6

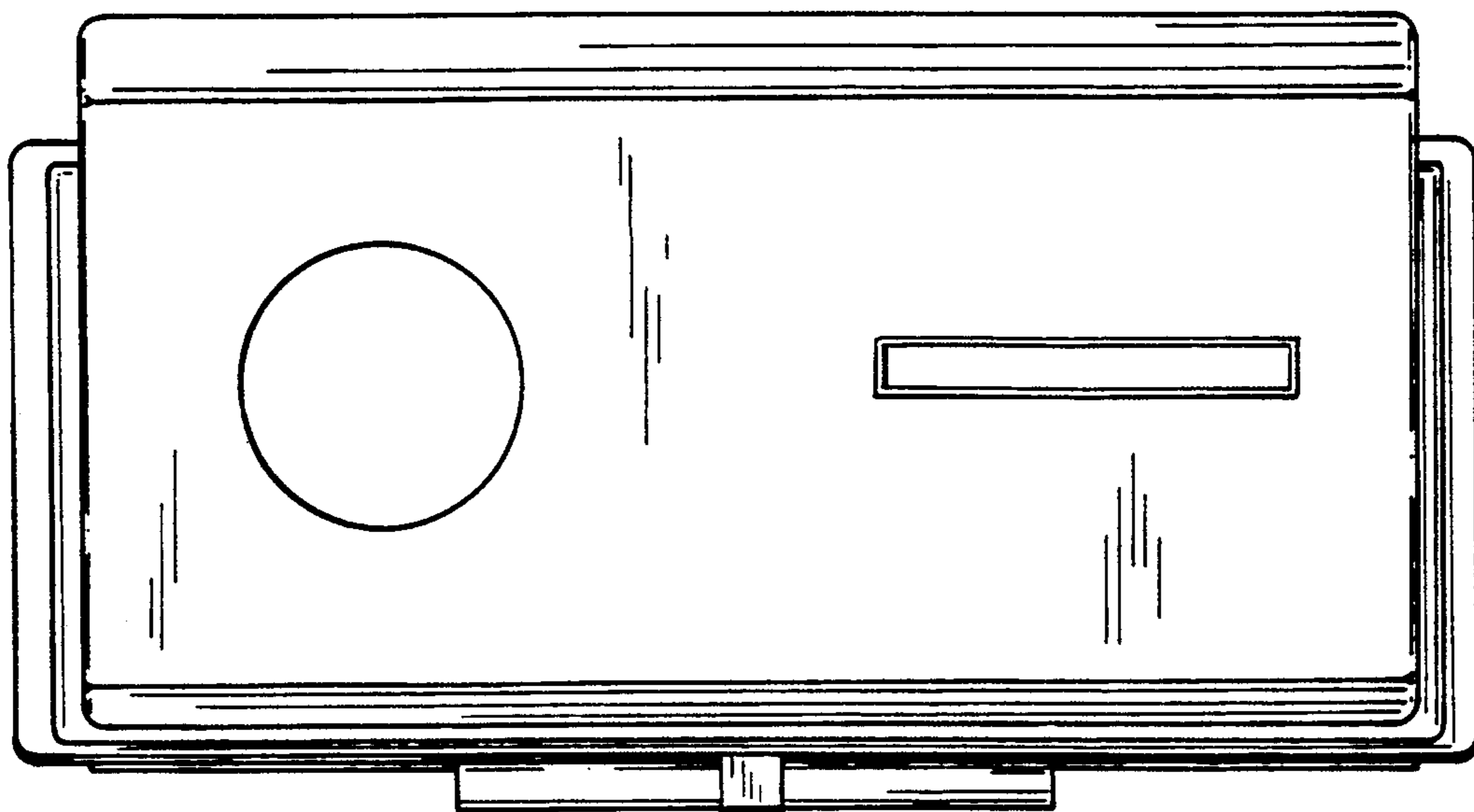


FIG. 7