



US00D334884S

United States Patent [19]

[11] Patent Number: **Des. 334,884**

Harada

[45] Date of Patent: **** Apr. 20, 1993**

[54] **CASTER**

[75] Inventor: **Takuma Harada, Tokyo, Japan**

[73] Assignee: **Sugatsune Industrial Co., Ltd., Tokyo, Japan**

[**] Term: **14 Years**

[21] Appl. No.: **617,071**

[22] Filed: **Nov. 23, 1990**

[30] **Foreign Application Priority Data**
 May 23, 1990 [JP] Japan 2-17288

[52] U.S. Cl. **D8/375**

[58] Field of Search D8/375; 16/47

D. 288,287 2/1987 Screen D8/375
 D. 308,815 6/1990 Caruso D8/375
 4,219,904 9/1980 Melara D8/375 X

Primary Examiner—Susan J. Lucas
Attorney, Agent, or Firm—Jacobson, Price, Holman & Stern

[57] CLAIM

The ornamental design for a caster, as shown and described.

DESCRIPTION

FIG. 1 is a right side view of a caster showing my new design;
 FIG. 2 is a left side view thereof;
 FIG. 3 is a front view thereof;
 FIG. 4 is a bottom view thereof;
 FIG. 5 is a top palm view thereof;
 FIG. 6 is an enlarged sectional view taken along line A—A of FIG. 1; and,
 FIG. 7 is a back view thereof.

[56] **References Cited**

U.S. PATENT DOCUMENTS

D. 241,611 9/1976 Croscenzi D8/375
 D. 244,989 7/1977 Croscenzi D8/375
 D. 288,286 2/1987 Screen D8/375

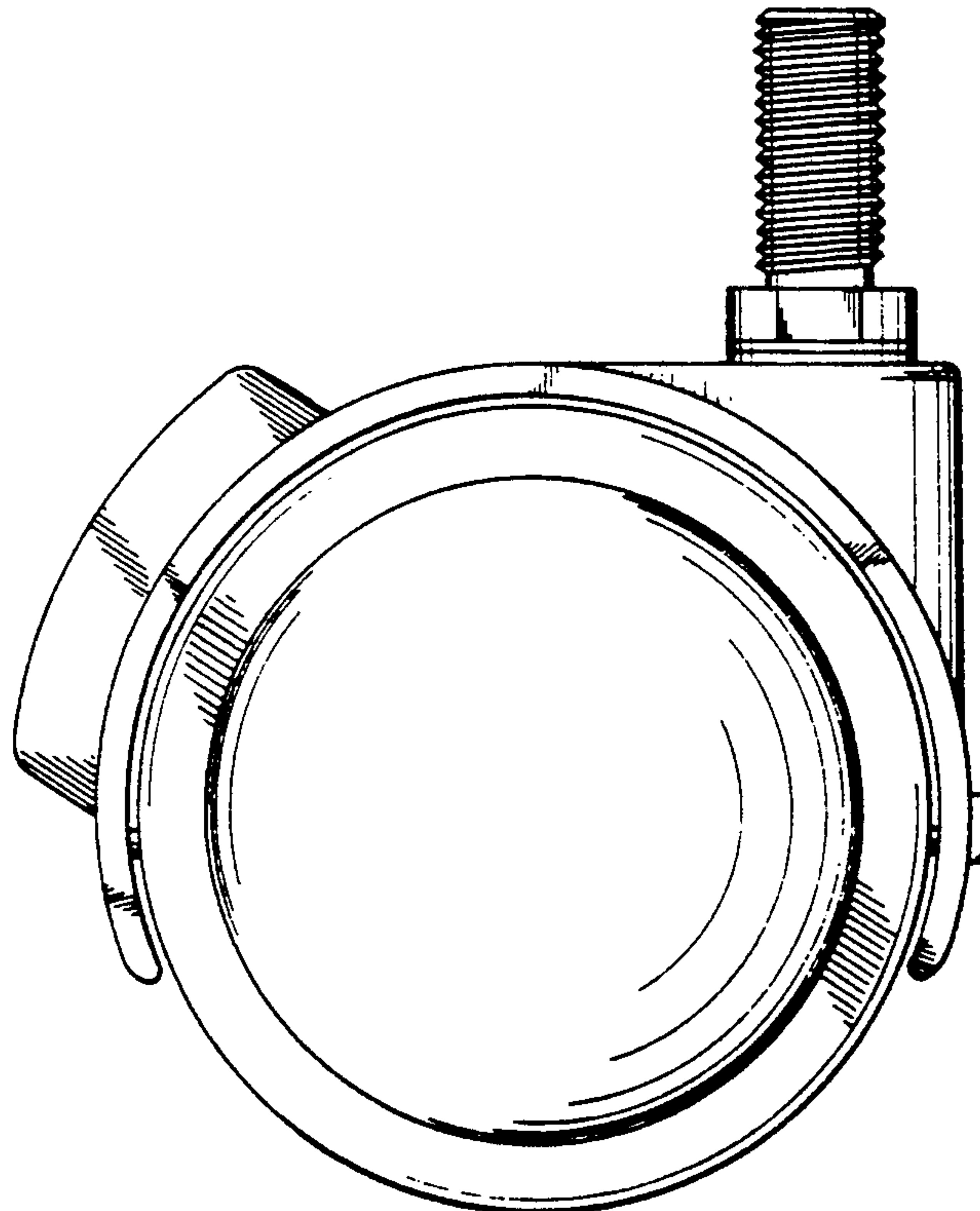
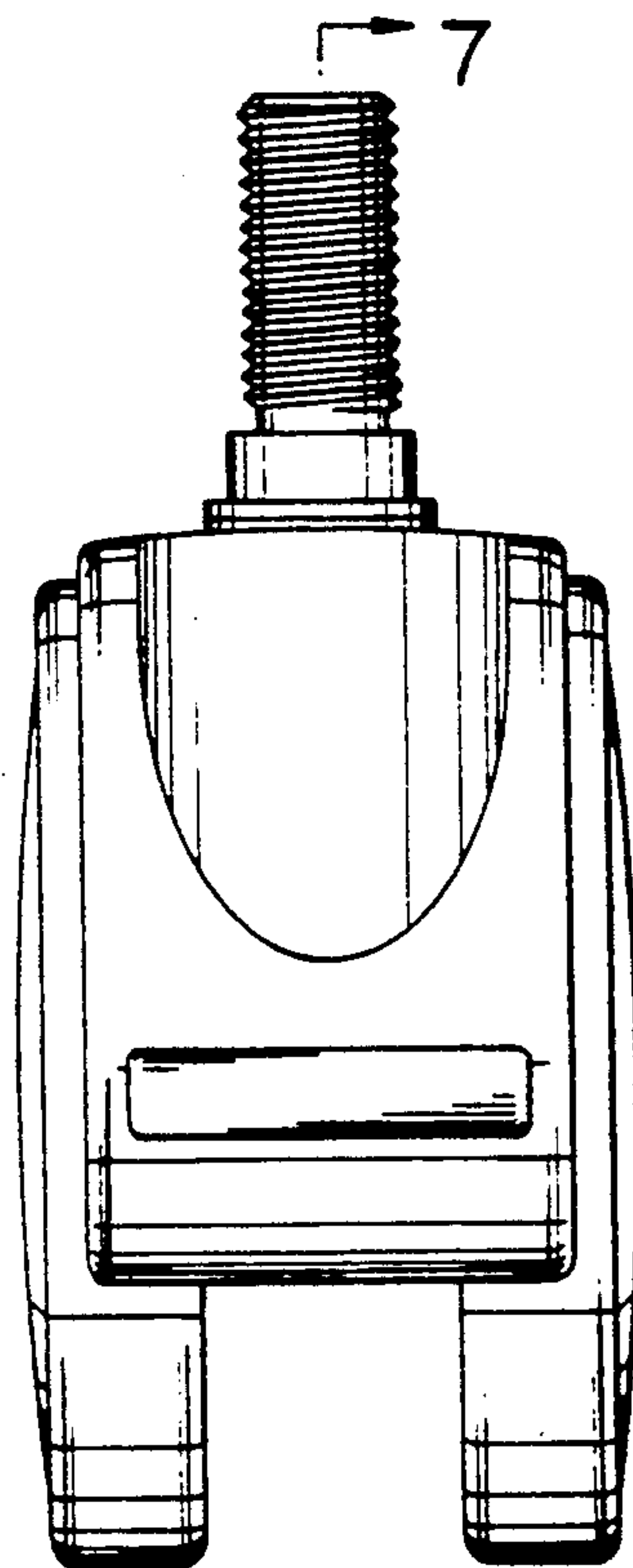


FIG.1



7

FIG.2

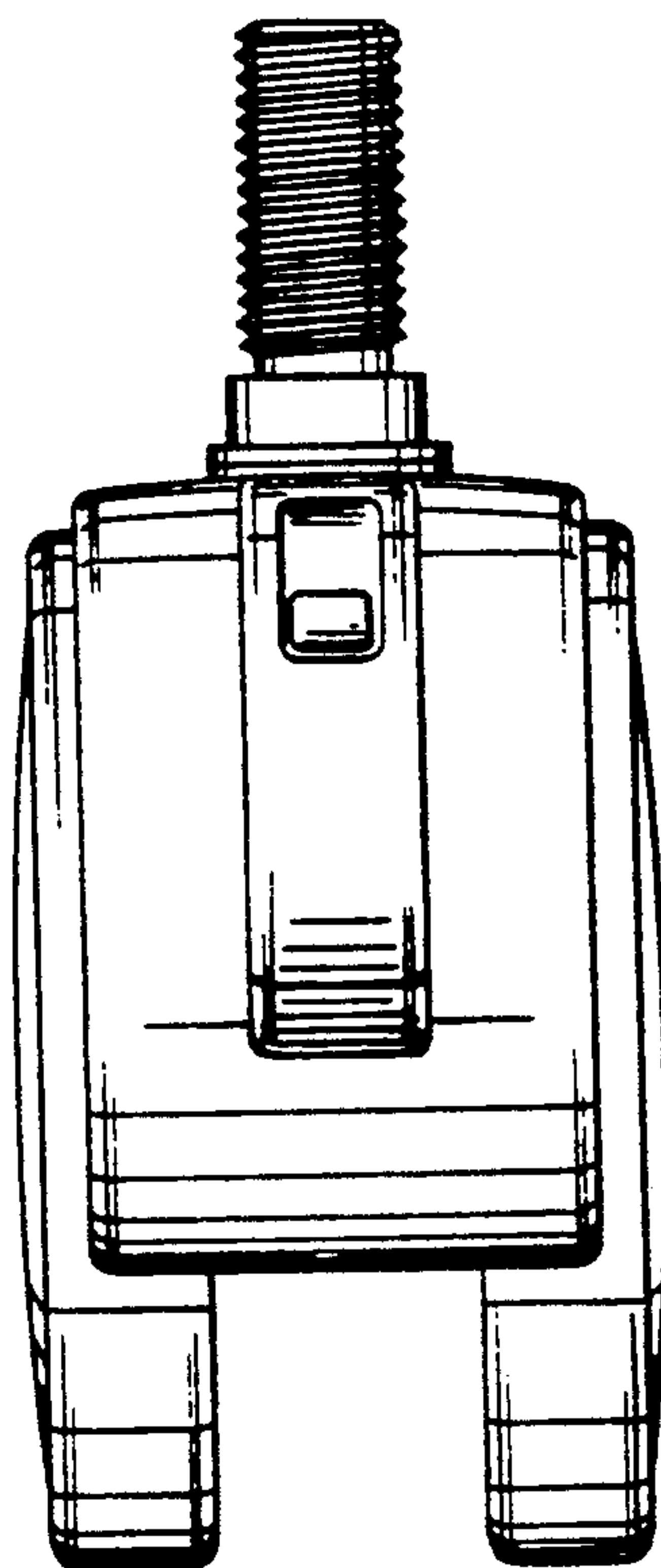


FIG. 3

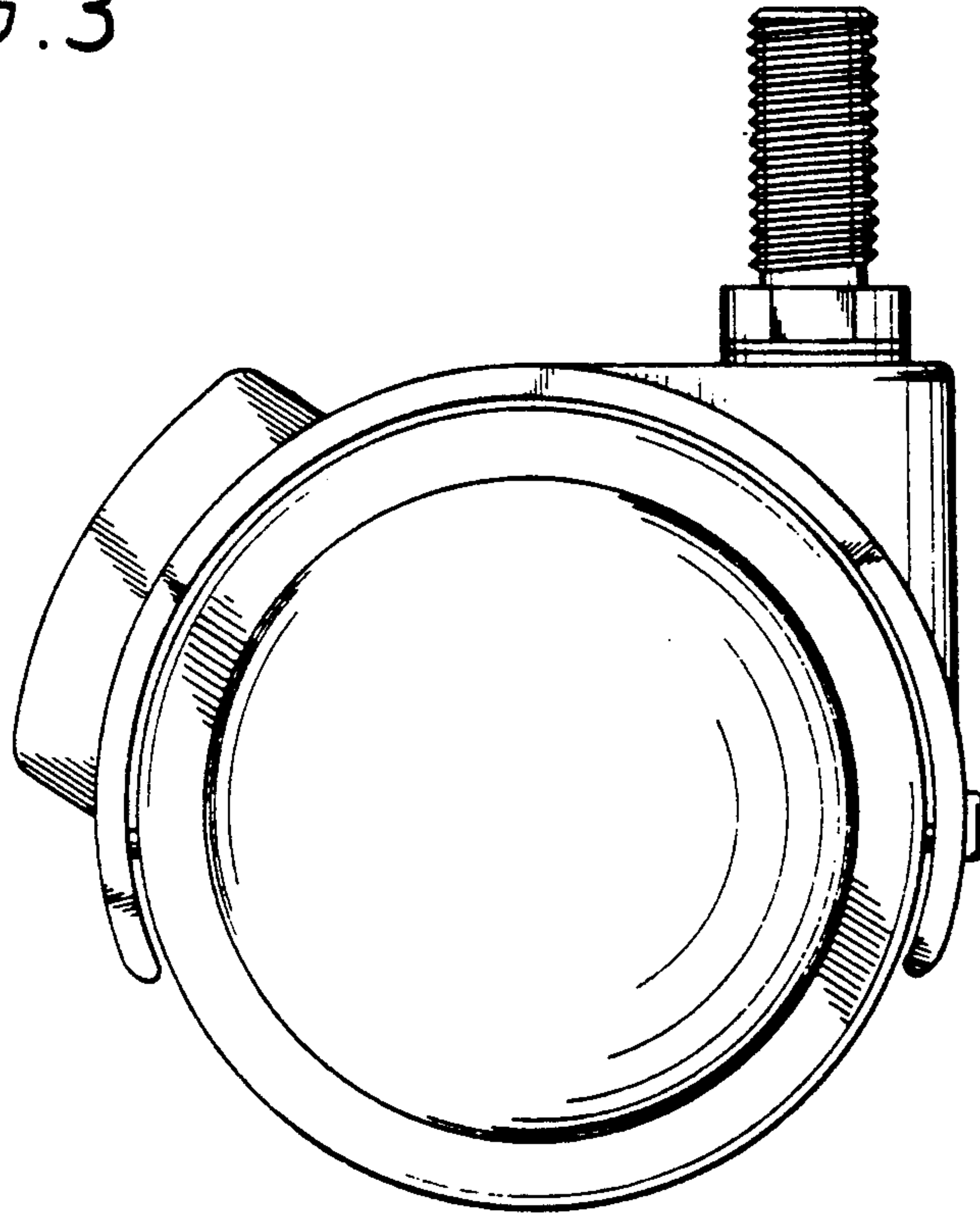


FIG. 4

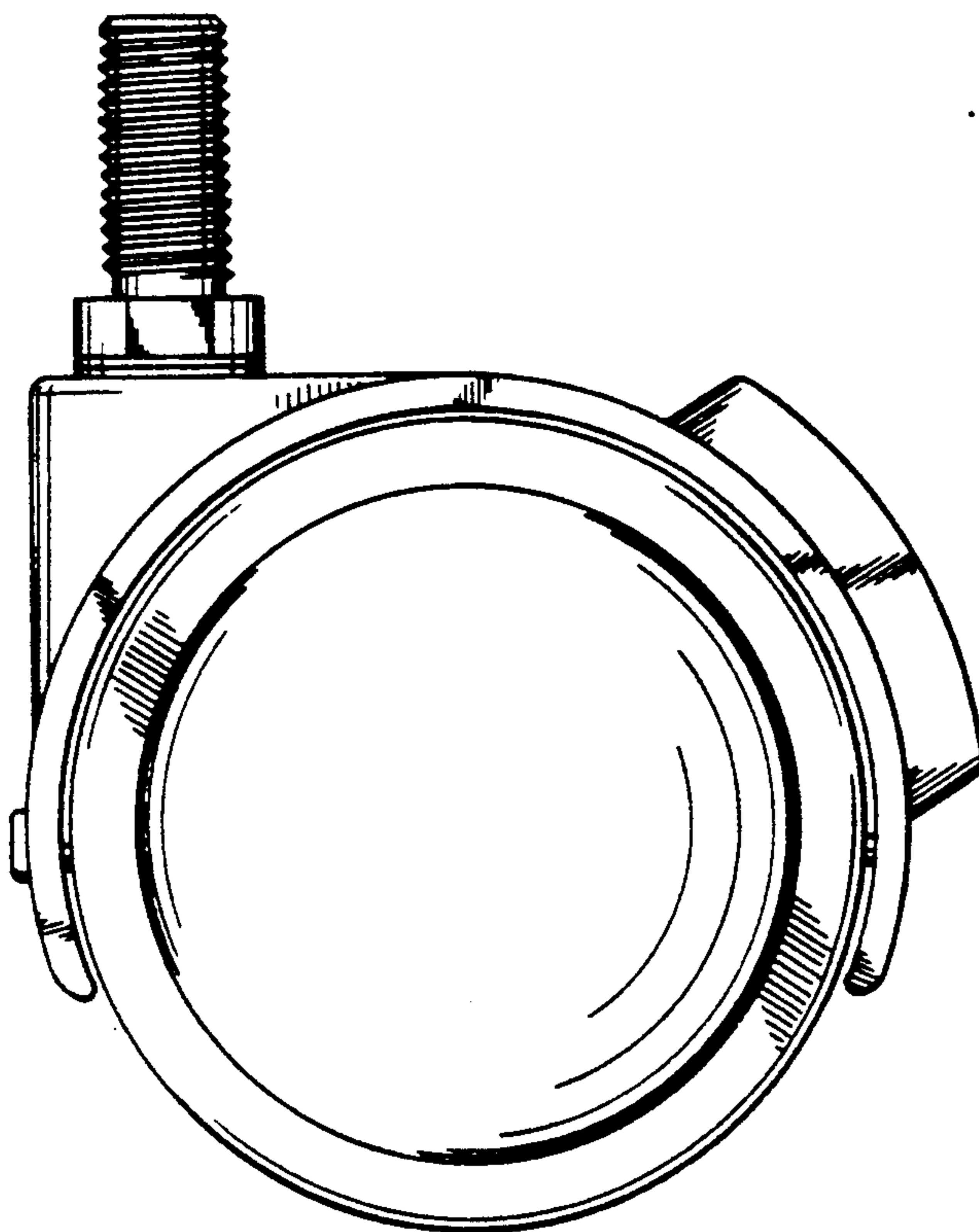


FIG. 5

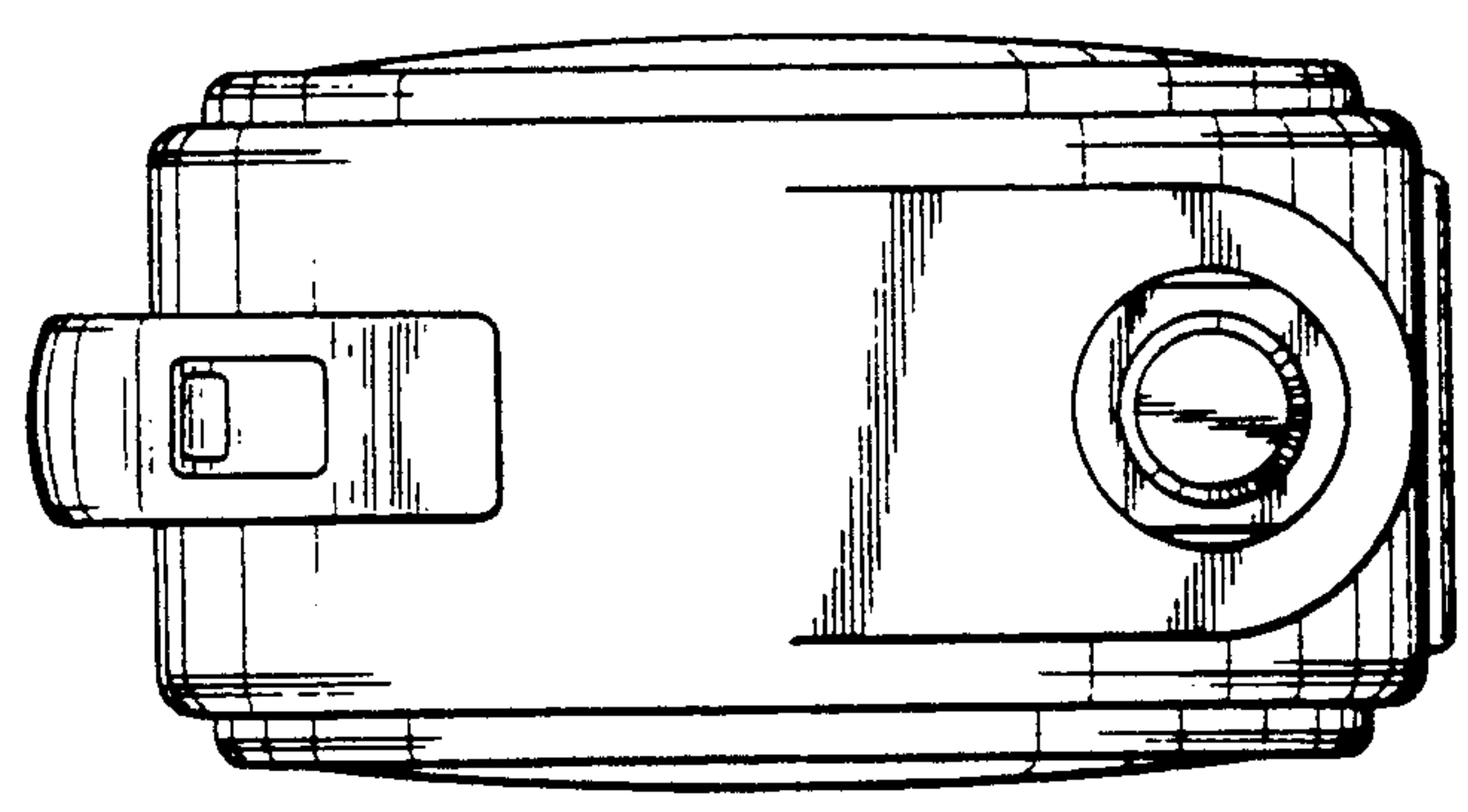


FIG. 6

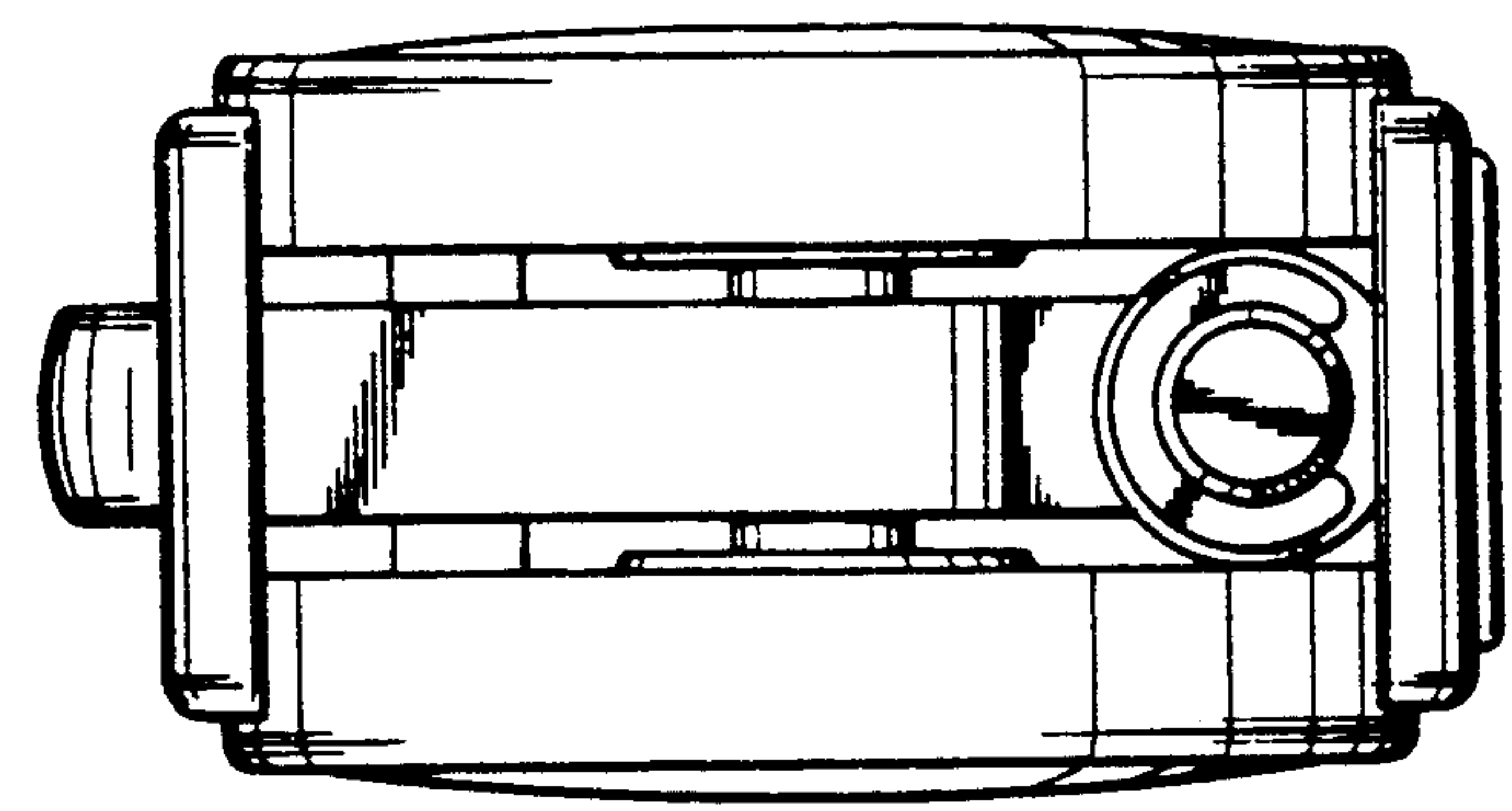


FIG. 7

