



US00D334882S

United States Patent [19]

[11] Patent Number: **Des. 334,882**

Bunch

[45] Date of Patent: **** Apr. 20, 1993**

[54] COMBINED ELECTRIC CORD REEL AND DISPENSER

[76] Inventor: **Tony A. Bunch**, 707 Salem La., Tarboro, N.C. 27886

[**] Term: **14 Years**

[21] Appl. No.: **537,757**

[22] Filed: **Jun. 14, 1990**

[52] U.S. Cl. **D8/359; D8/358**

[58] Field of Search **D8/358, 359; 242/86, 242/86.2, 86.5 R, 106; 239/195; 191/12.4**

OTHER PUBLICATIONS.

Dreyfuss Symbol Source Book, 1974, p. 140, Lightning Bolt, circled item in middle of page.

Ames Catalog, May 1988, p. 47, Hose Reel, item A 23.888 in middle of page.

Hardware Age, May 1989, p. 2, Cord Stand, at bottom left side of page.

New Equipment Digest, Oct. 1989, p. 13, rewind reel item NED-279 at top left side of page.

Primary Examiner—Wallace R. Burke

Assistant Examiner—H. Baynham

Attorney, Agent, or Firm—Terry M. Gernstein

[57] CLAIM

The ornamental design for a combined electric cord reel and dispenser, as shown and described.

DESCRIPTION

FIG. 1 is a perspective view of a combined electric cord reel and dispenser showing my new design;

FIG. 2 is a front elevational view thereof;

FIG. 3 is a rear elevational view thereof;

FIG. 4 is a side elevational view thereof;

FIG. 5 is an opposite side elevational view thereof;

FIG. 6 is a top plan view thereof; and,

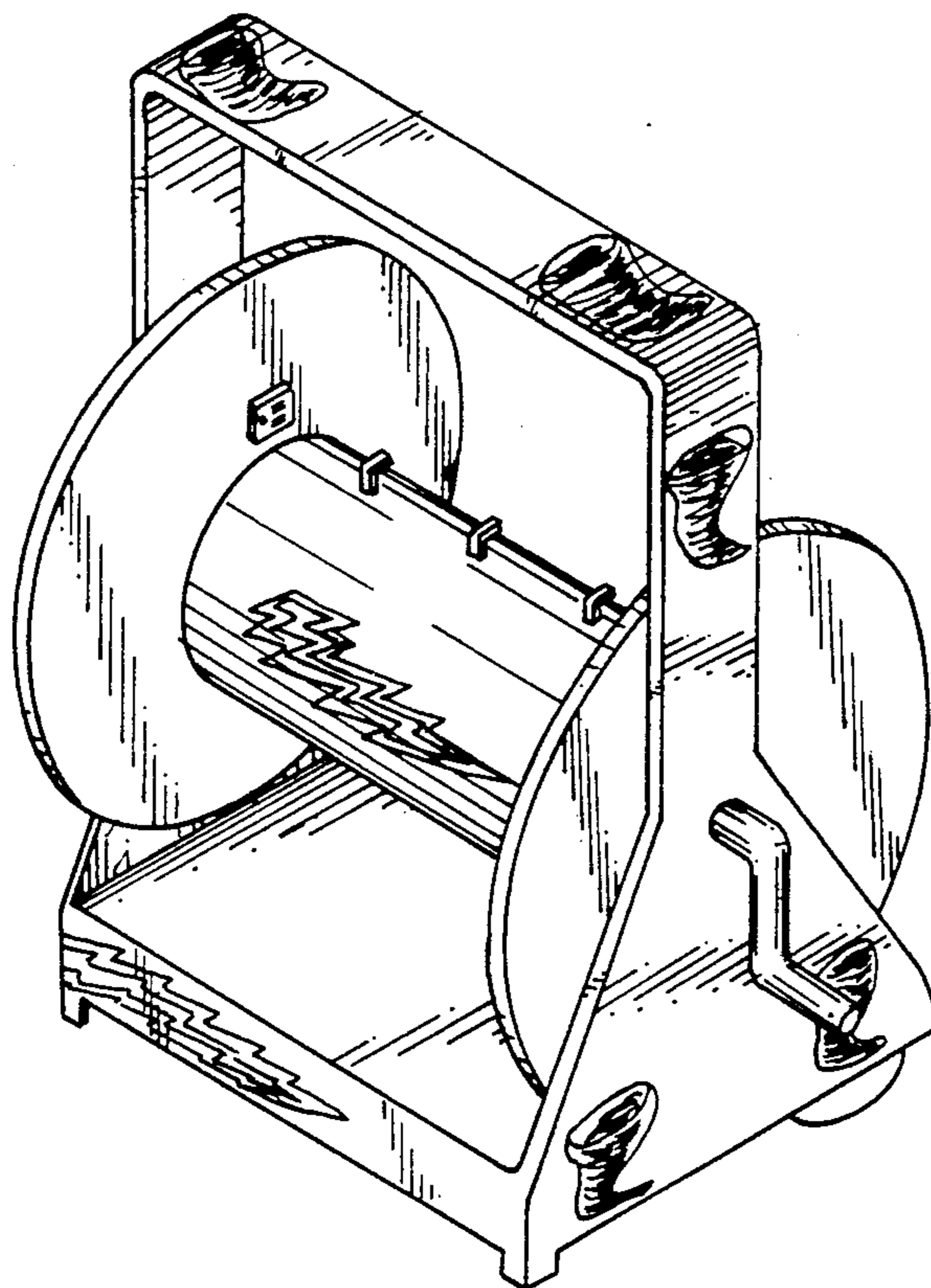
FIG. 7 is a bottom plan view thereof.

The electric cord shown in FIGS. 2 through 7 is shown in broken lines to indicate that it is included as environment to the claimed design and forms no part of the claimed invention.

[56] References Cited

U.S. PATENT DOCUMENTS

D. 307,538	5/1990	Tyree	D8/351
D. 310,776	9/1990	Cason	D8/359 X
D. 315,492	3/1991	Prihoda	D8/358
2,805,290	9/1957	Wentsel	191/12.4
3,374,319	3/1968	Stahmer	191/12.4
3,698,656	10/1972	Ballenger	242/106
3,835,267	9/1974	Sharpe	191/12.4
4,442,984	4/1984	Bayat	242/106
4,721,833	1/1988	Dubay	191/12.4
4,825,986	5/1989	Pepper	191/12.4



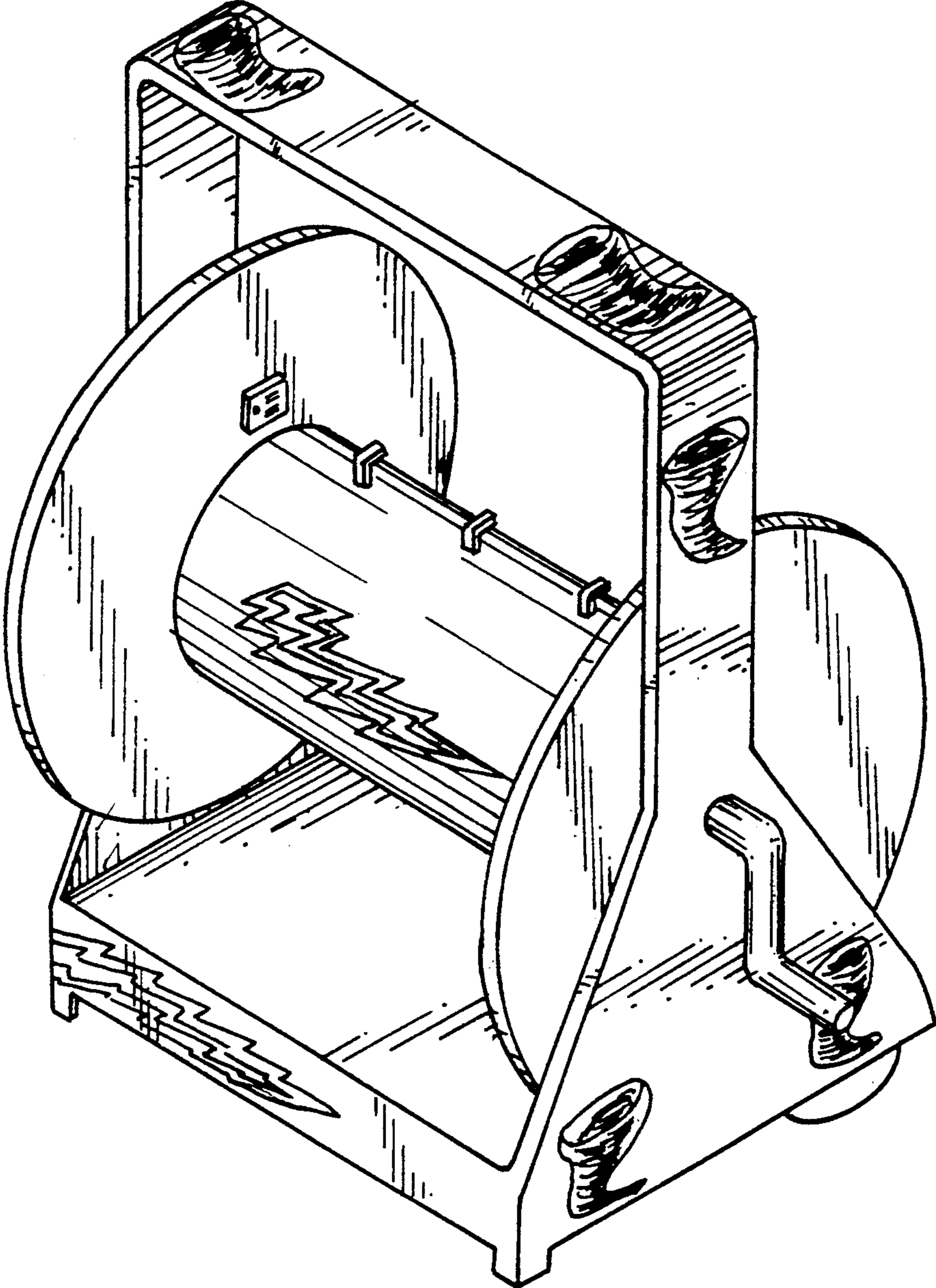


FIG. 1

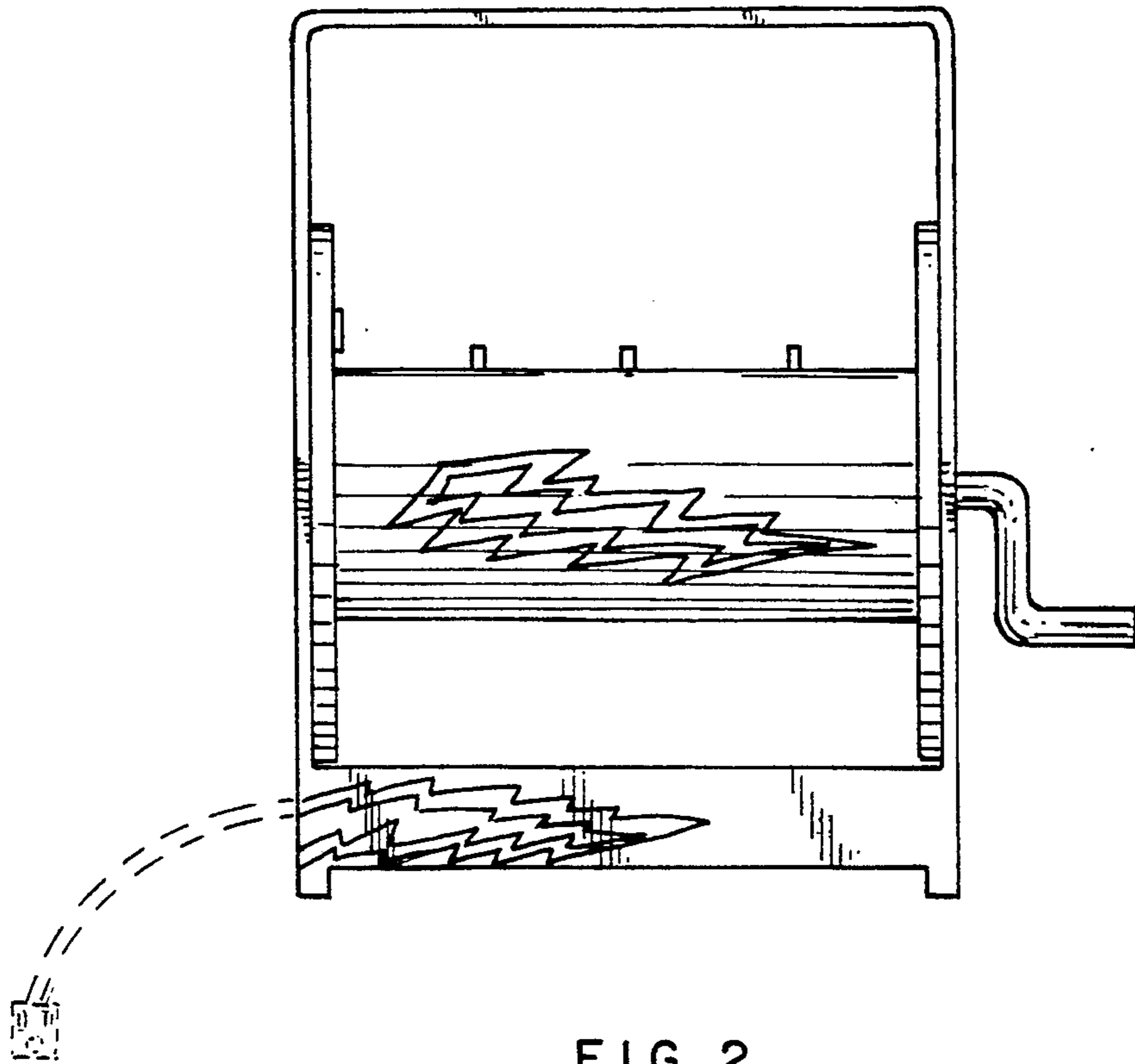


FIG. 2

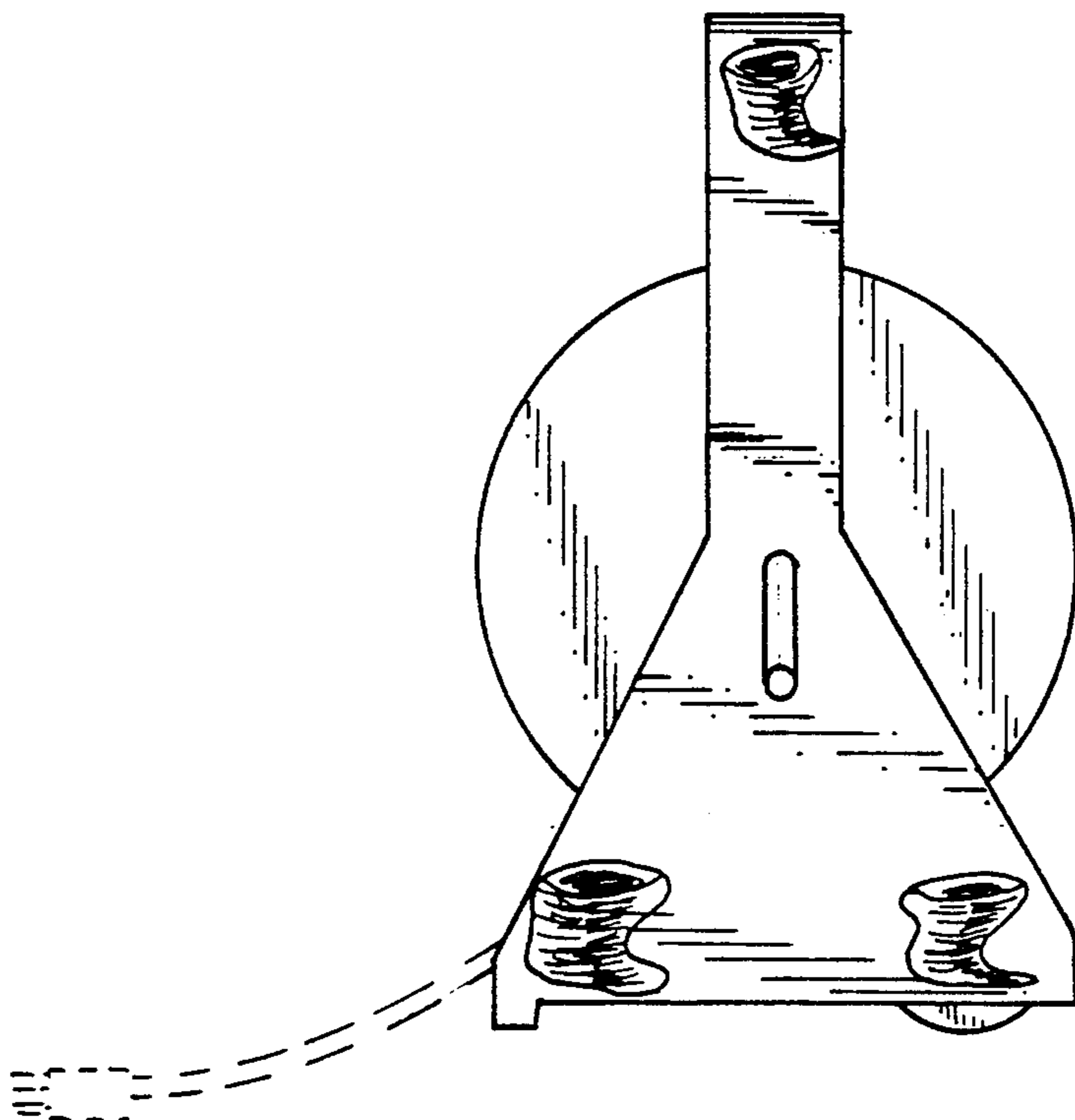


FIG. 5

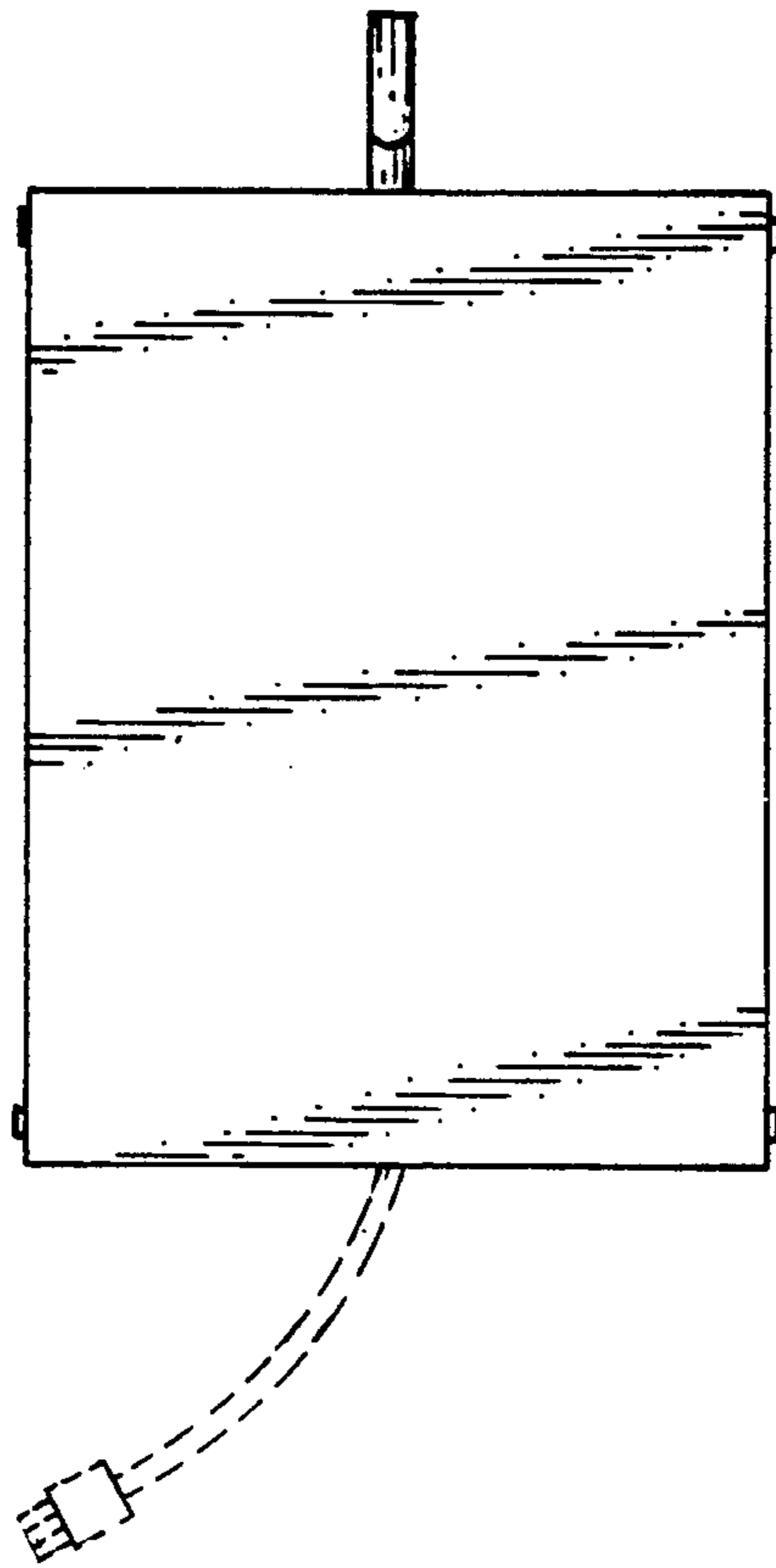


FIG. 7

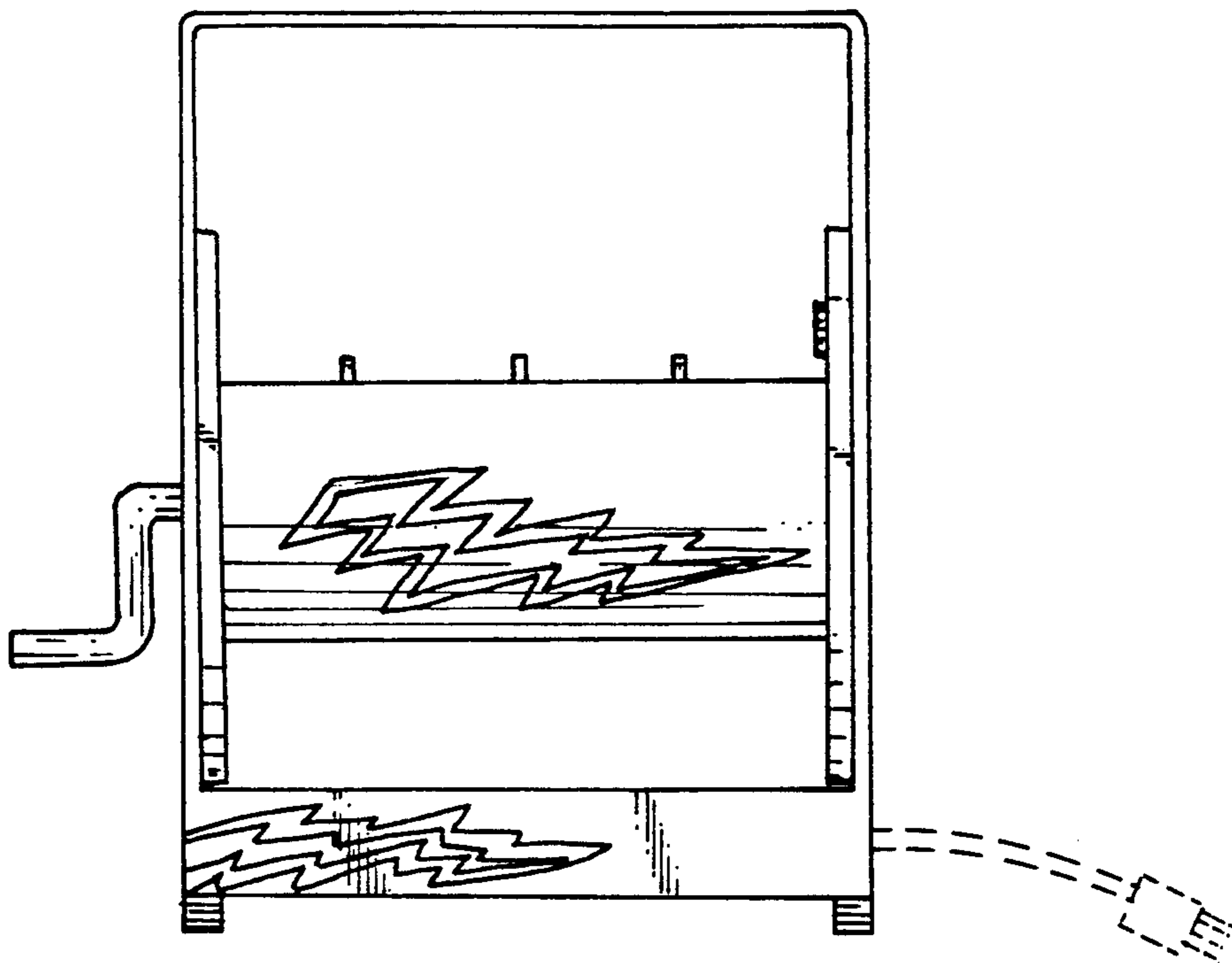


FIG. 3

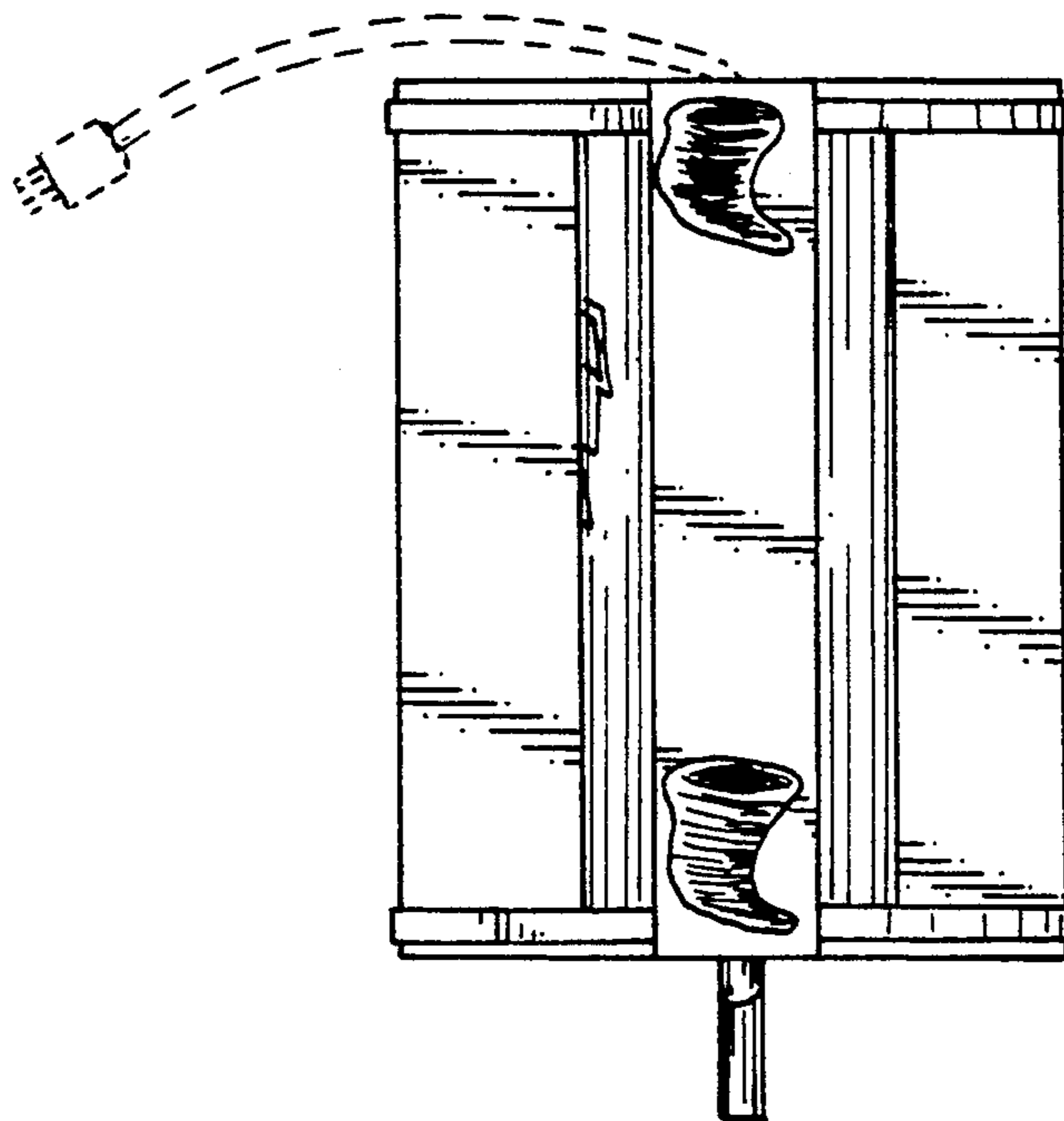


FIG. 6

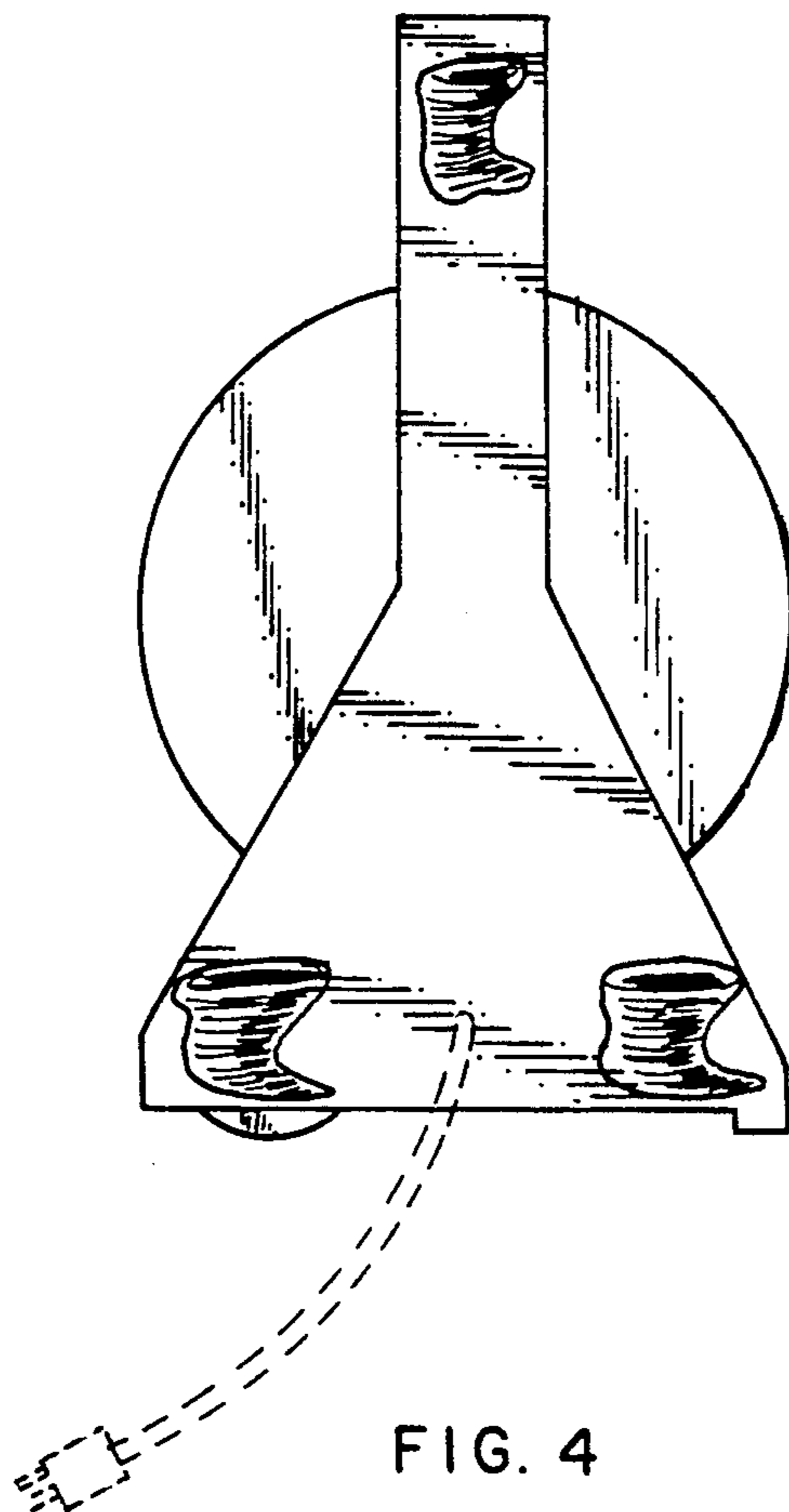


FIG. 4