



US00D334880S

United States Patent [19]

[11] Patent Number: **Des. 334,880**

Davey

[45] Date of Patent: **** Apr. 20, 1993**

[54] **KEY GUIDE**

[76] Inventor: **Douglas R. Davey**, 291 Paseo Marguerita, Vista, Calif. 92084

[**] Term: **14 Years**

[21] Appl. No.: **611,354**

[22] Filed: **Nov. 8, 1990**

[52] U.S. Cl. **D8/352; D8/343**

[58] Field of Search **D8/343, 350, 352; 70/431, 450, 452, 454**

[56] **References Cited**

U.S. PATENT DOCUMENTS

D. 281,858	12/1985	Barrows, II et al.	D8/352
2,942,452	6/1960	Marchese	70/454
2,993,362	7/1961	Baccolla	70/454
3,465,556	9/1969	McIlvenny	70/454
4,910,983	3/1990	Taylor	70/454 X

Primary Examiner—Brian N. Vinson

Attorney, Agent, or Firm—Brown, Martin, Haller & McClain

[57] **CLAIM**

The ornamental design for a key guide, as shown and described.

DESCRIPTION

FIG. 1 is a top and front perspective view of a key guide showing my new design;

FIG. 2 is a reduced top and left side perspective view thereof;

FIG. 3 is a reduced top and left side perspective view thereof, the broken-line disclosure of a key being for illustrative purposes only and forming no part of the claimed design;

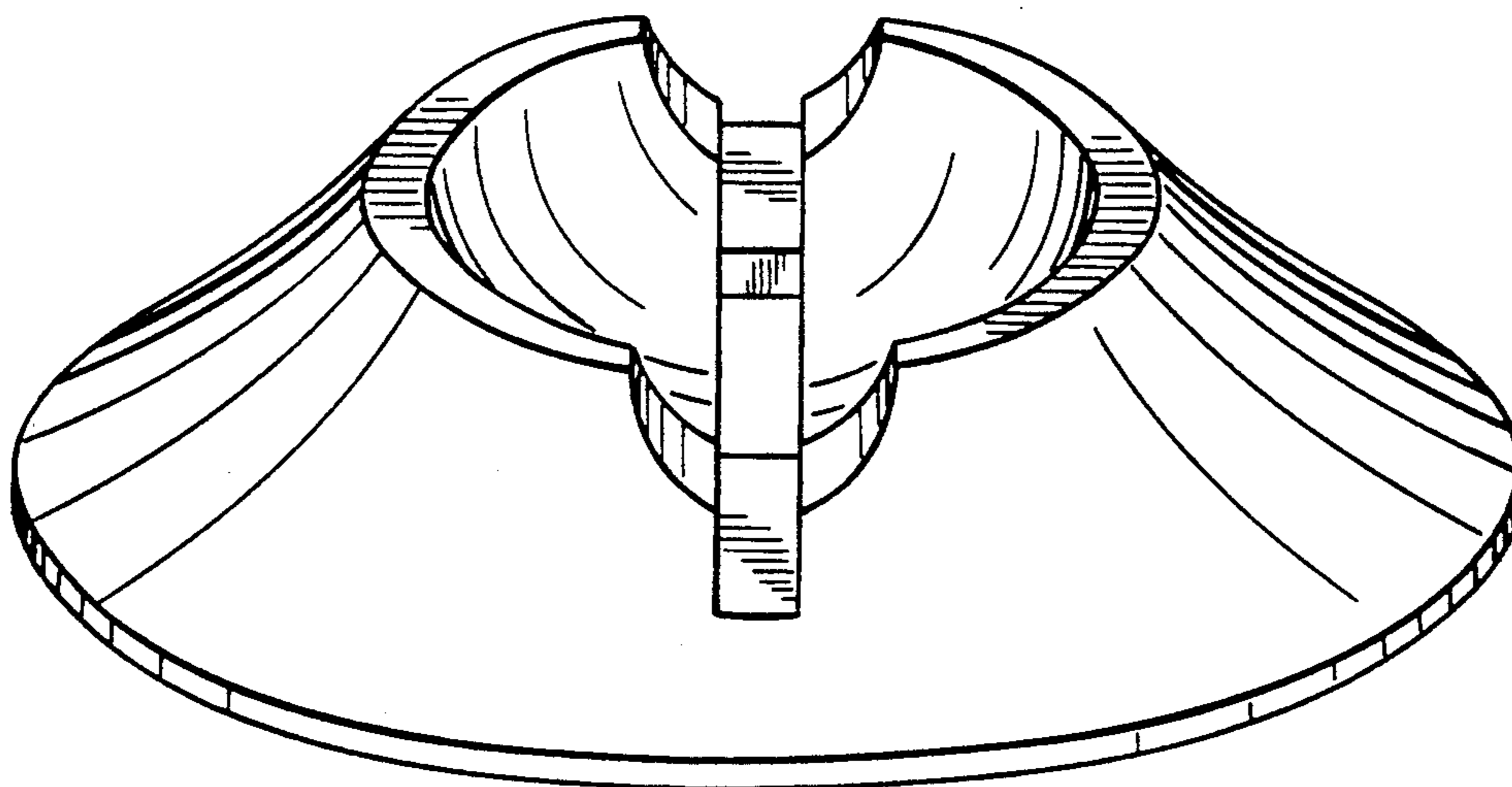
FIG. 4 is a reduced top plan view thereof;

FIG. 5 is a reduced bottom plan view thereof;

FIG. 6 is a reduced front elevational view thereof, the rear being identical in appearance to that shown;

FIG. 7 is a reduced vertical cross-sectional view thereof, taken along line 7—7 of FIG. 4; and,

FIG. 8 is a reduced vertical cross-sectional view thereof, taken along line 8—8 of FIG. 4.



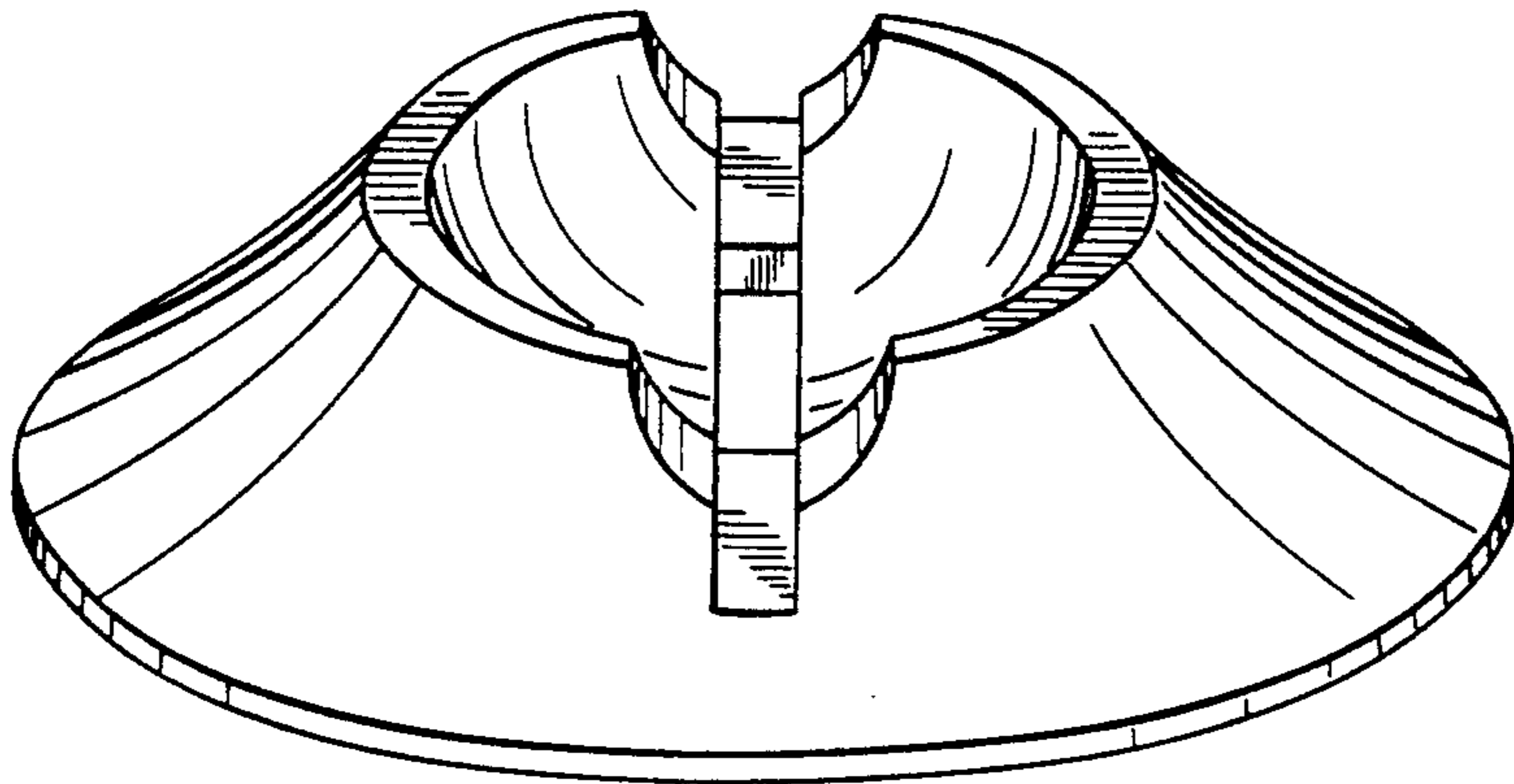


FIG. 1

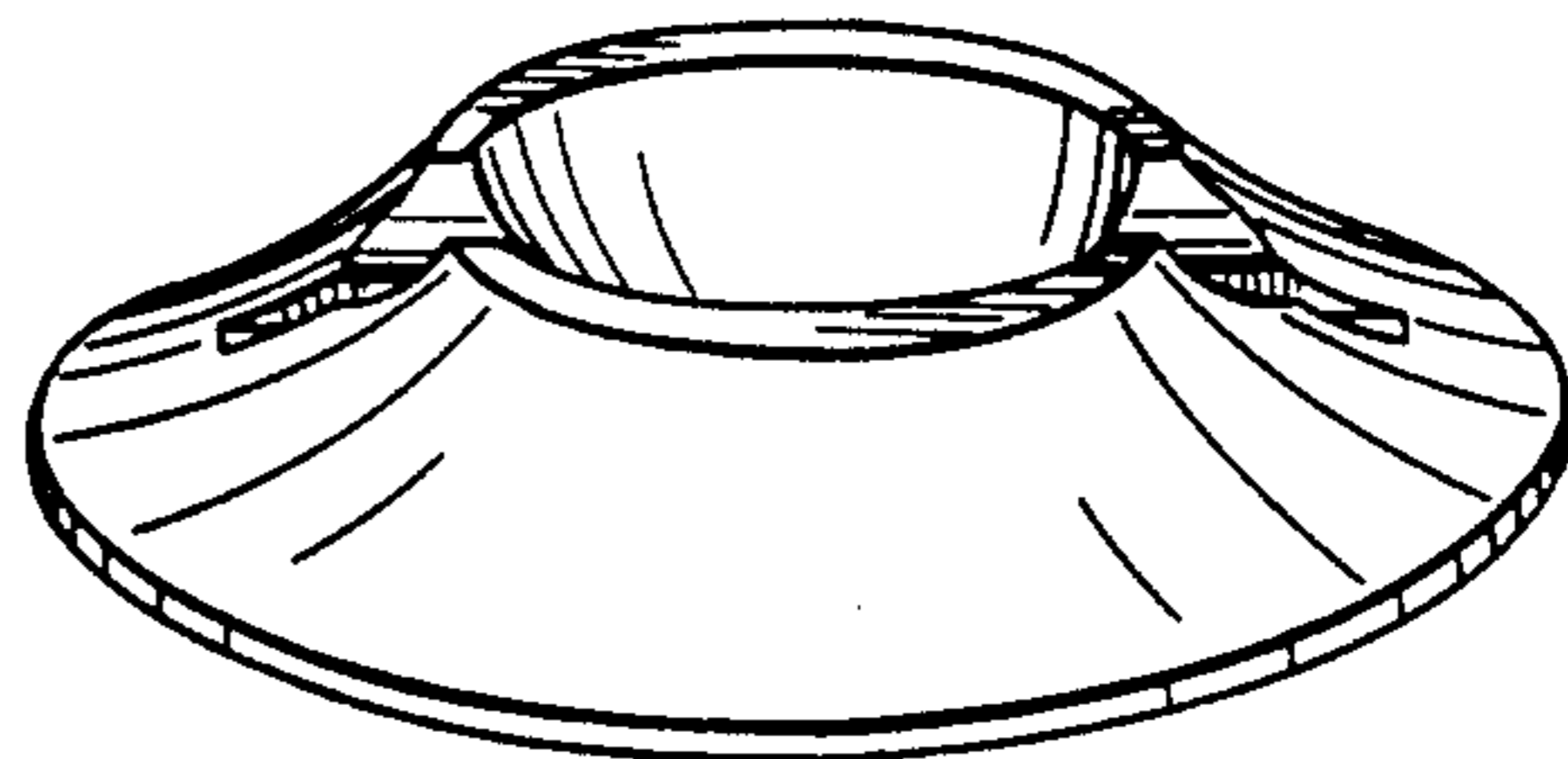


FIG. 2

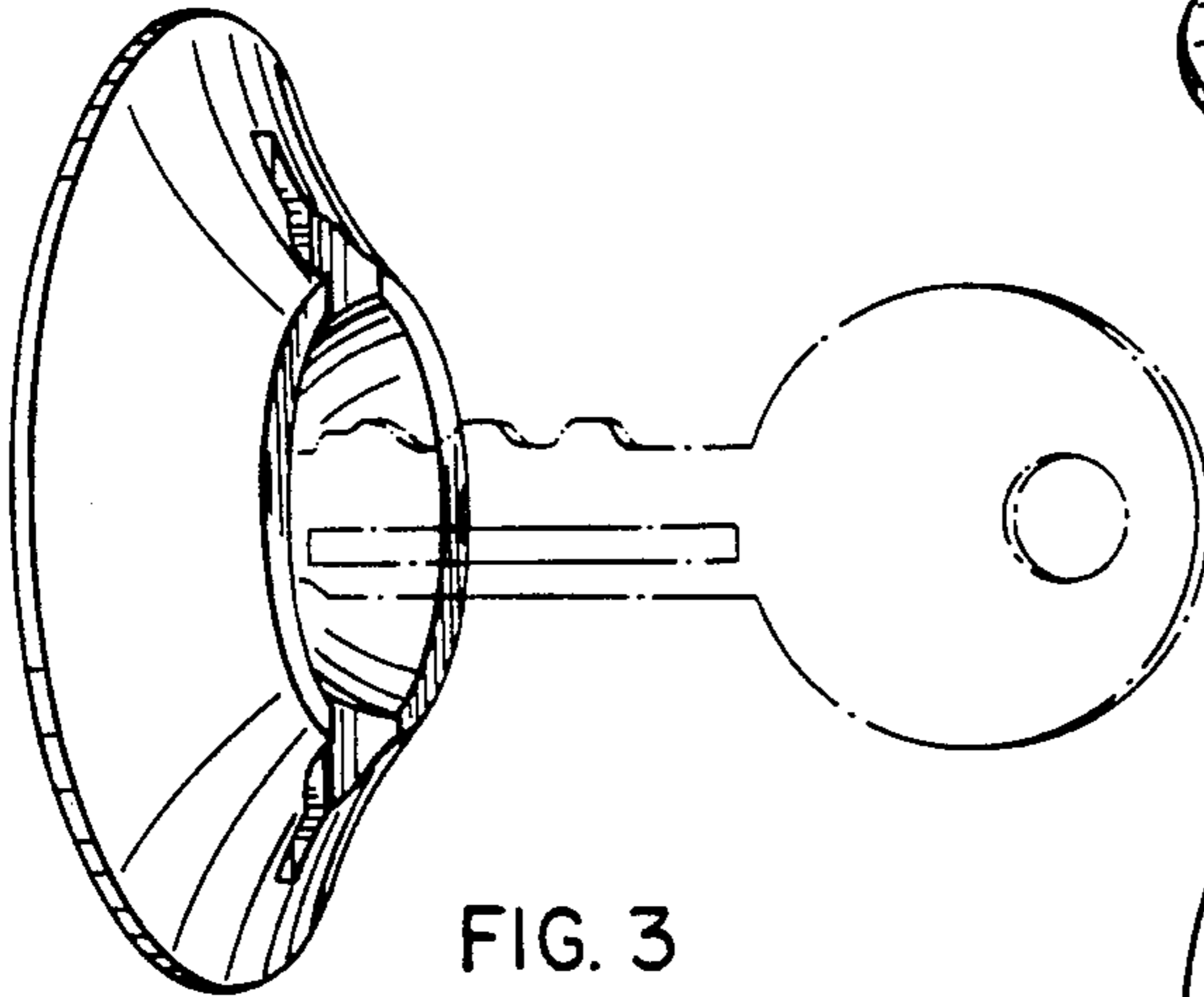


FIG. 3

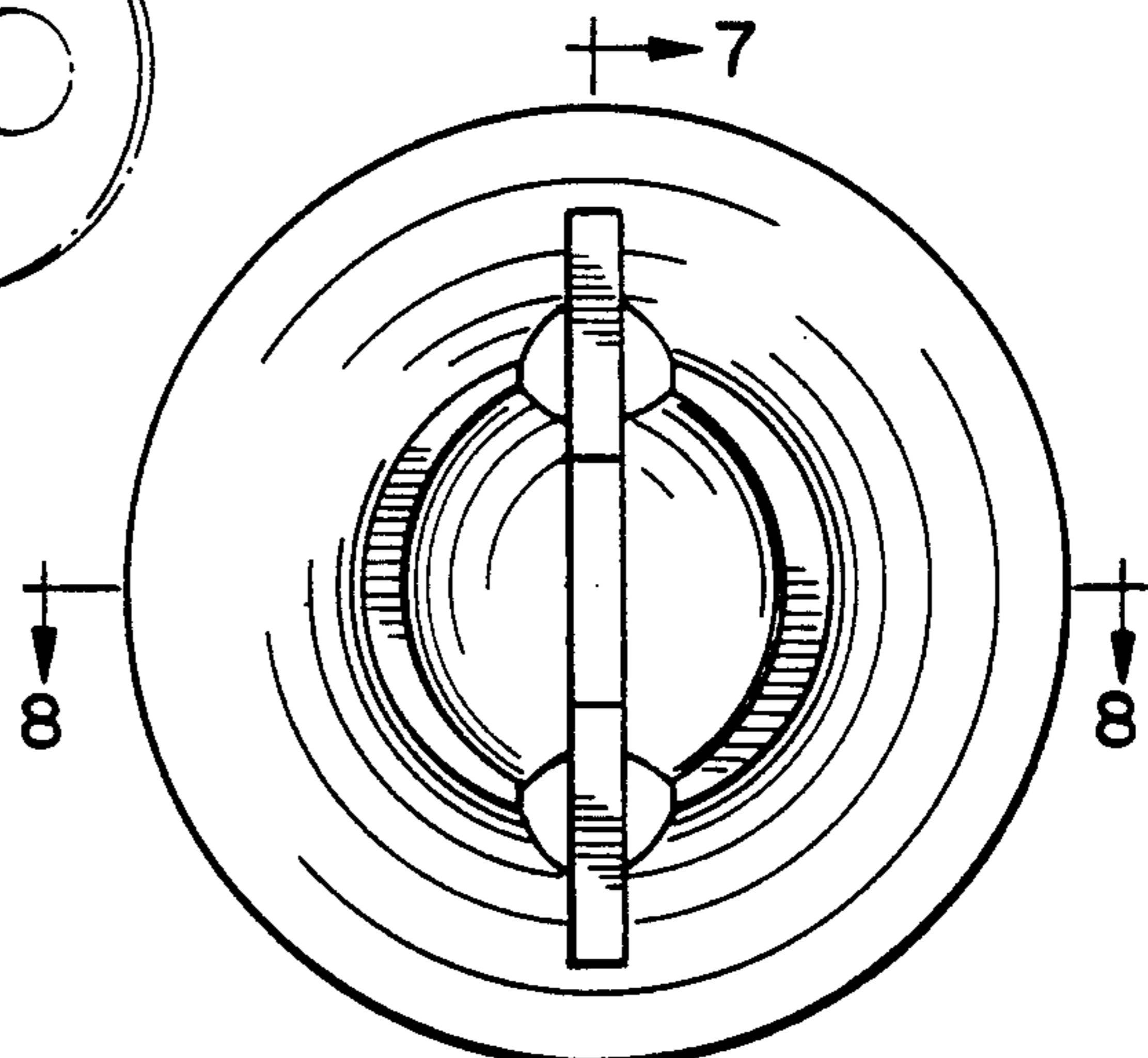


FIG. 4

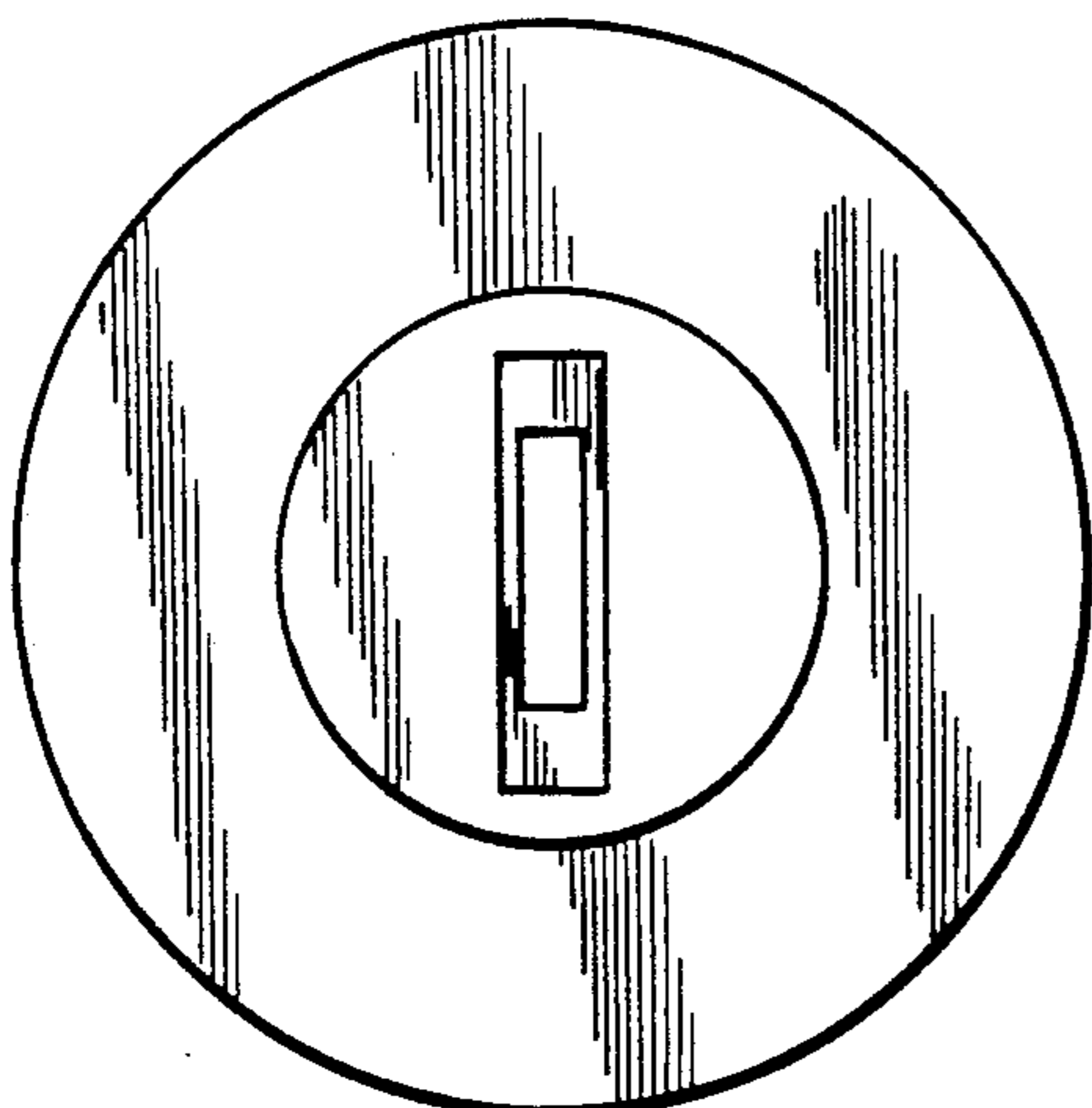


FIG. 5

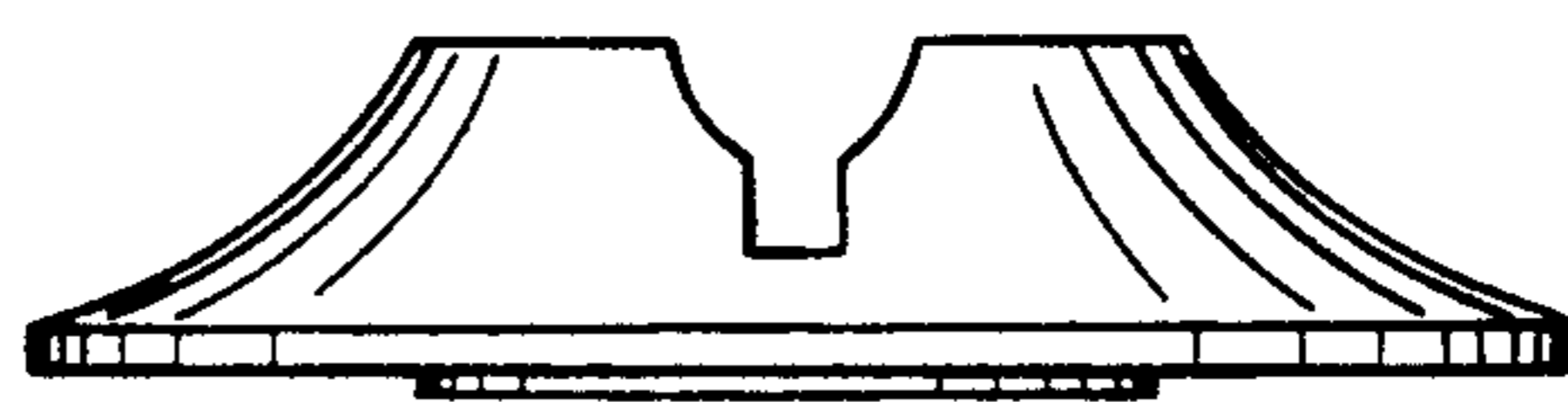


FIG. 6



FIG. 7



FIG. 8