



US00D334878S

United States Patent [19]

[11] Patent Number: **Des. 334,878**

Shioiri et al.

[45] Date of Patent: **** Apr. 20, 1993**

[54] **FILM SPLICER**

[75] Inventors: **Shigeo Shioiri**, Tokyo; **Kunio Kanda**; **Eiji Takamizawa**, both of Chiba; **Yuzo Otomine**, Kanagawa, all of Japan

[73] Assignees: **Somar Corporation**; **Yugengaisha Tokyo Seiki Seisakusyo**, both of Tokyo, Japan

[**] Term: **14 Years**

[21] Appl. No.: **691,600**

[22] Filed: **Apr. 24, 1991**

[30] **Foreign Application Priority Data**

Oct. 24, 1990 [JP] Japan 2-35359
[52] U.S. Cl. **D8/70.1**
[58] Field of Search **D8/70.1; 156/505, 506, 156/502, 509**

[56] **References Cited**

U.S. PATENT DOCUMENTS

D. 150,002 6/1948 Eisenberg et al. **D8/70.1**

D. 247,676 4/1978 Nakahata **D8/70.1**
D. 327,403 6/1992 Shioiri et al. **D8/70.1**
2,385,353 9/1945 Frankel **D8/70.1 X**
3,169,896 2/1965 Dresser **D8/70.1 X**

Primary Examiner—Alan P. Douglas
Assistant Examiner—J. H. Musgrove
Attorney, Agent, or Firm—Sughrue, Mion, Zinn, Macpeak & Seas

[57] **CLAIM**

The ornamental design for a film splicer, as shown and described.

DESCRIPTION

FIG. 1 is a front, top and right side perspective view of a film splicer showing our new design; FIG. 2 is a right side elevational view thereof; FIG. 3 is a left side elevational view thereof; FIG. 4 is a top plan view thereof; FIG. 5 is a bottom plan view thereof; FIG. 6 is a rear elevational view thereof; FIG. 7 is a front elevational view thereof; and, FIG. 8 is a front, top and right side perspective view thereof with the lever in raised position.

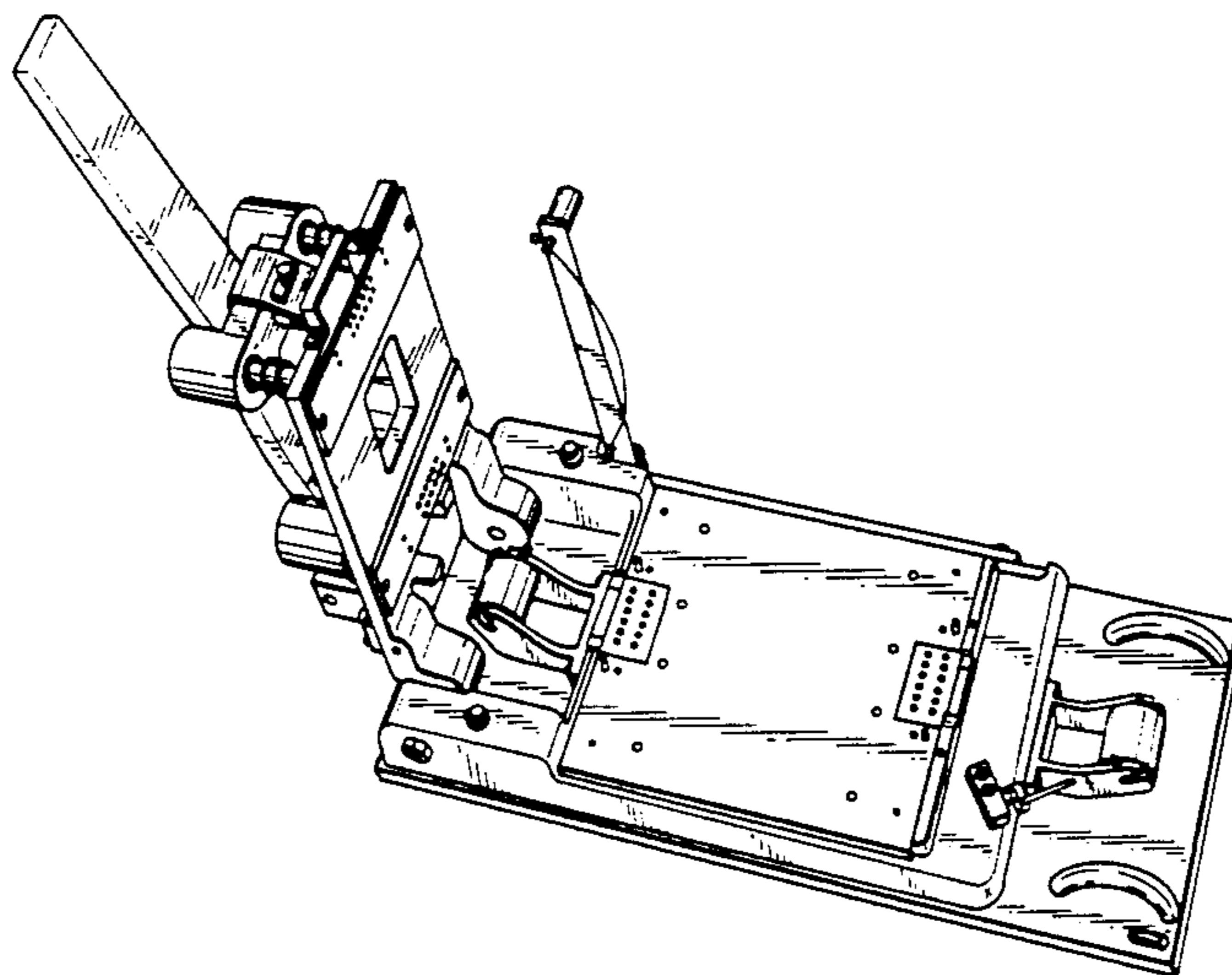
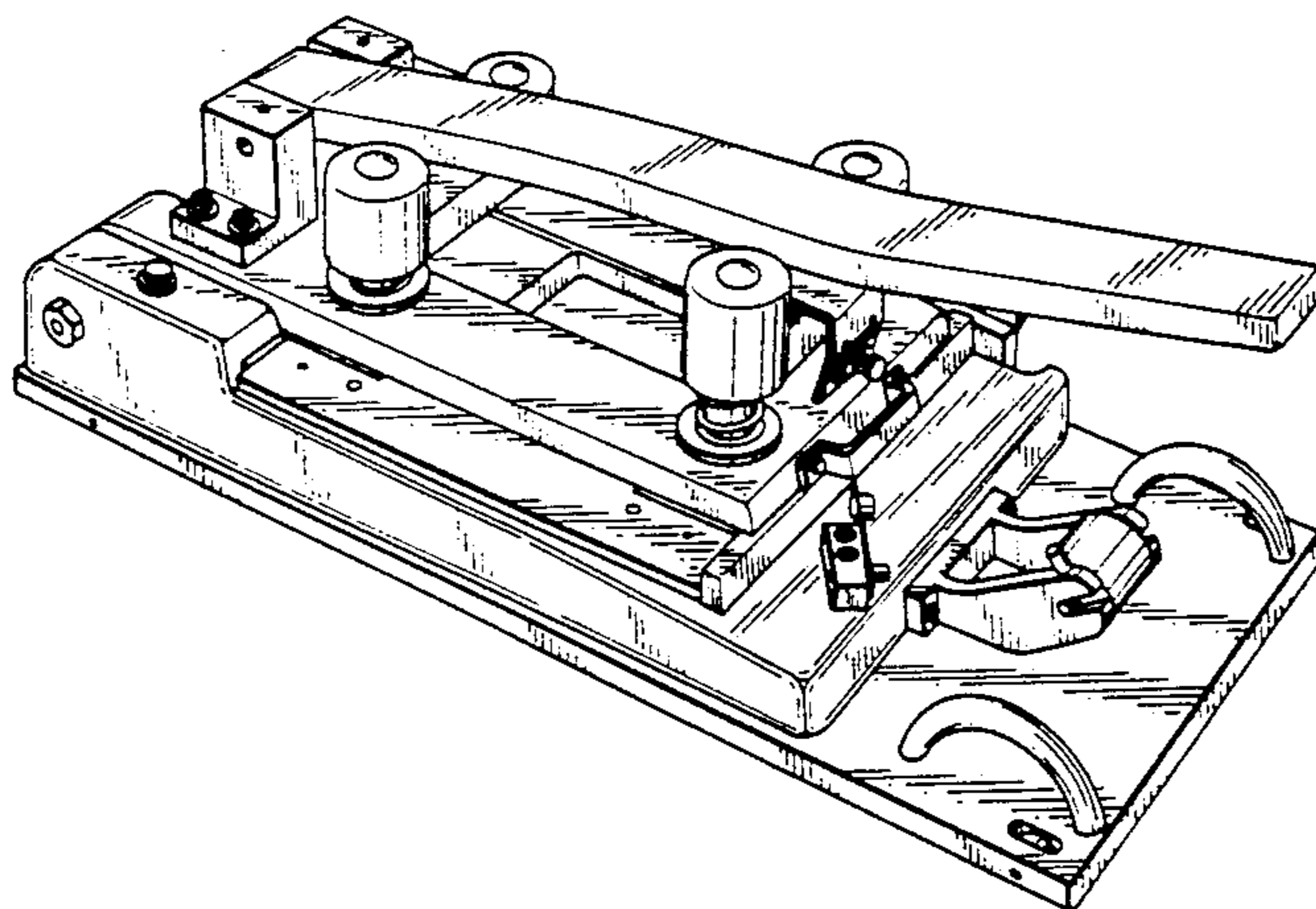


Fig. 1

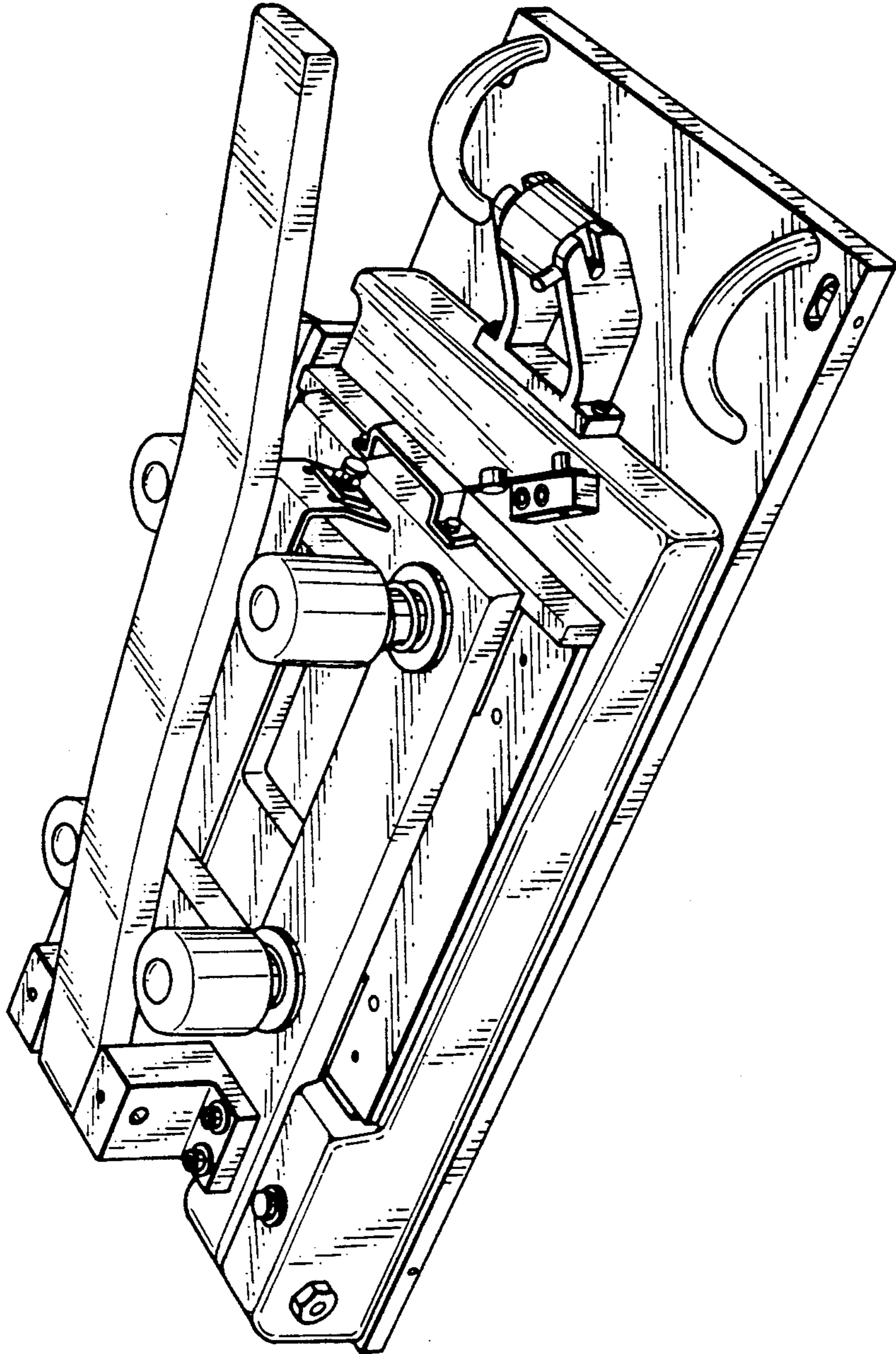


Fig. 2

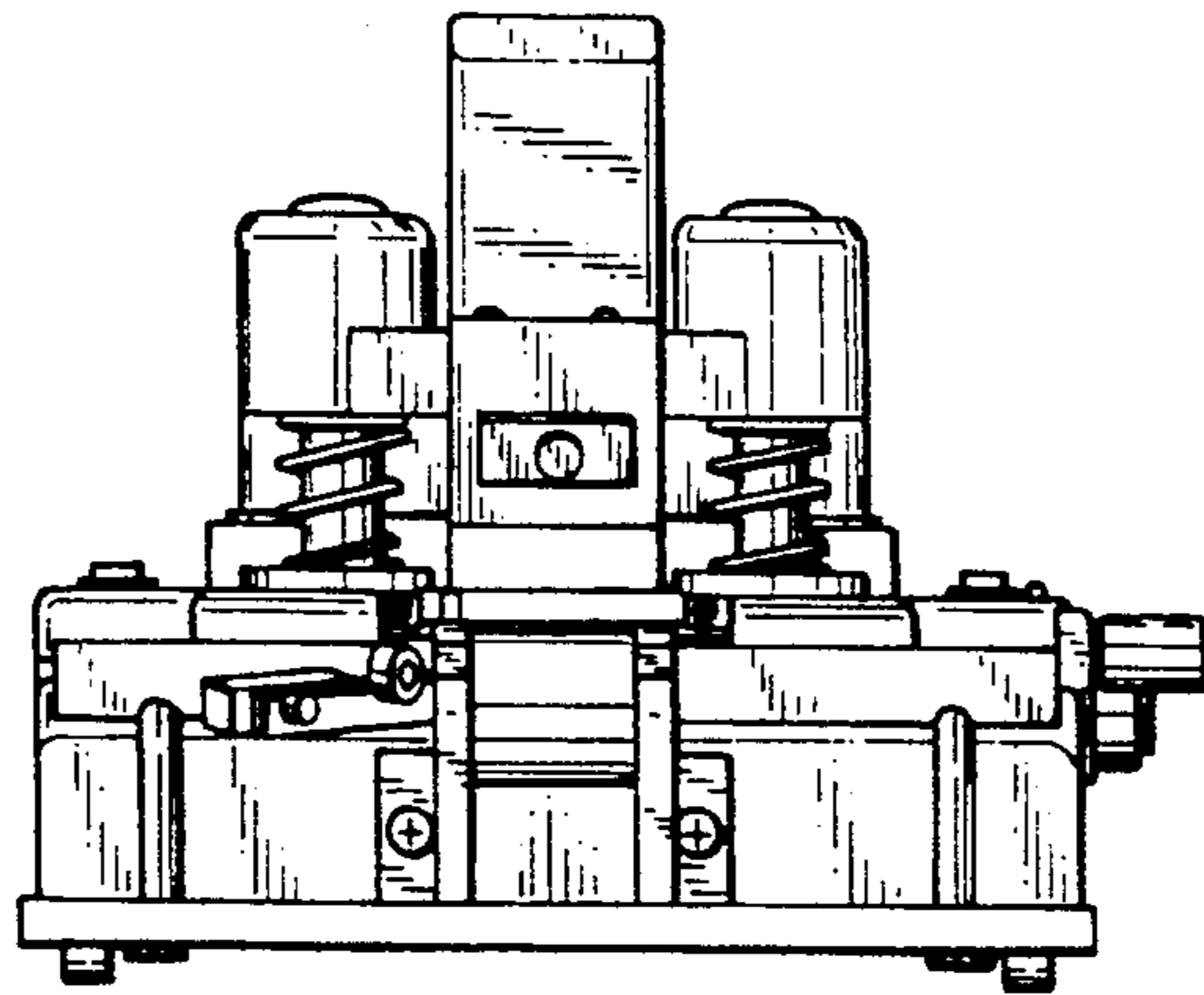


Fig. 3

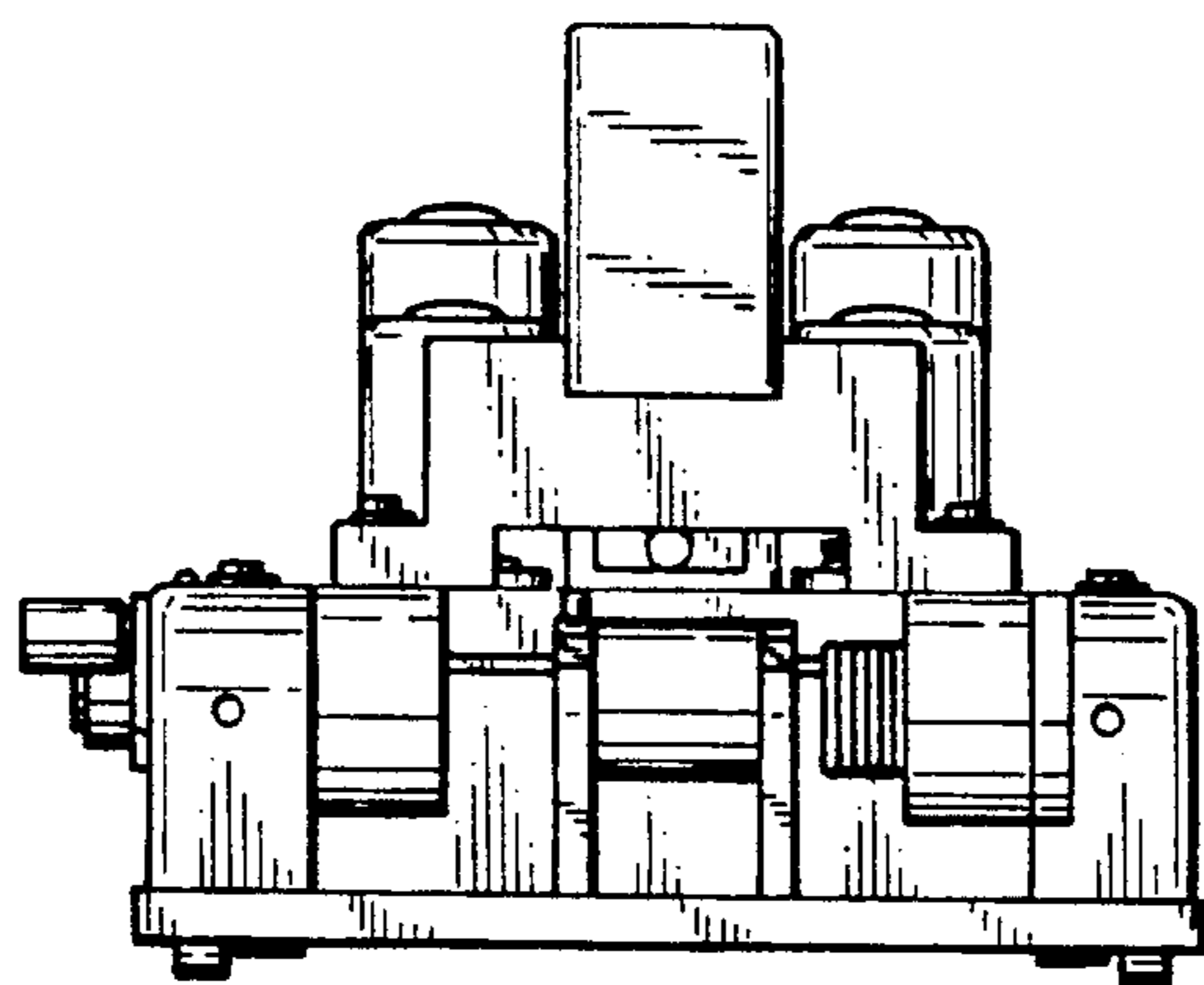


Fig. 4

Fig. 5

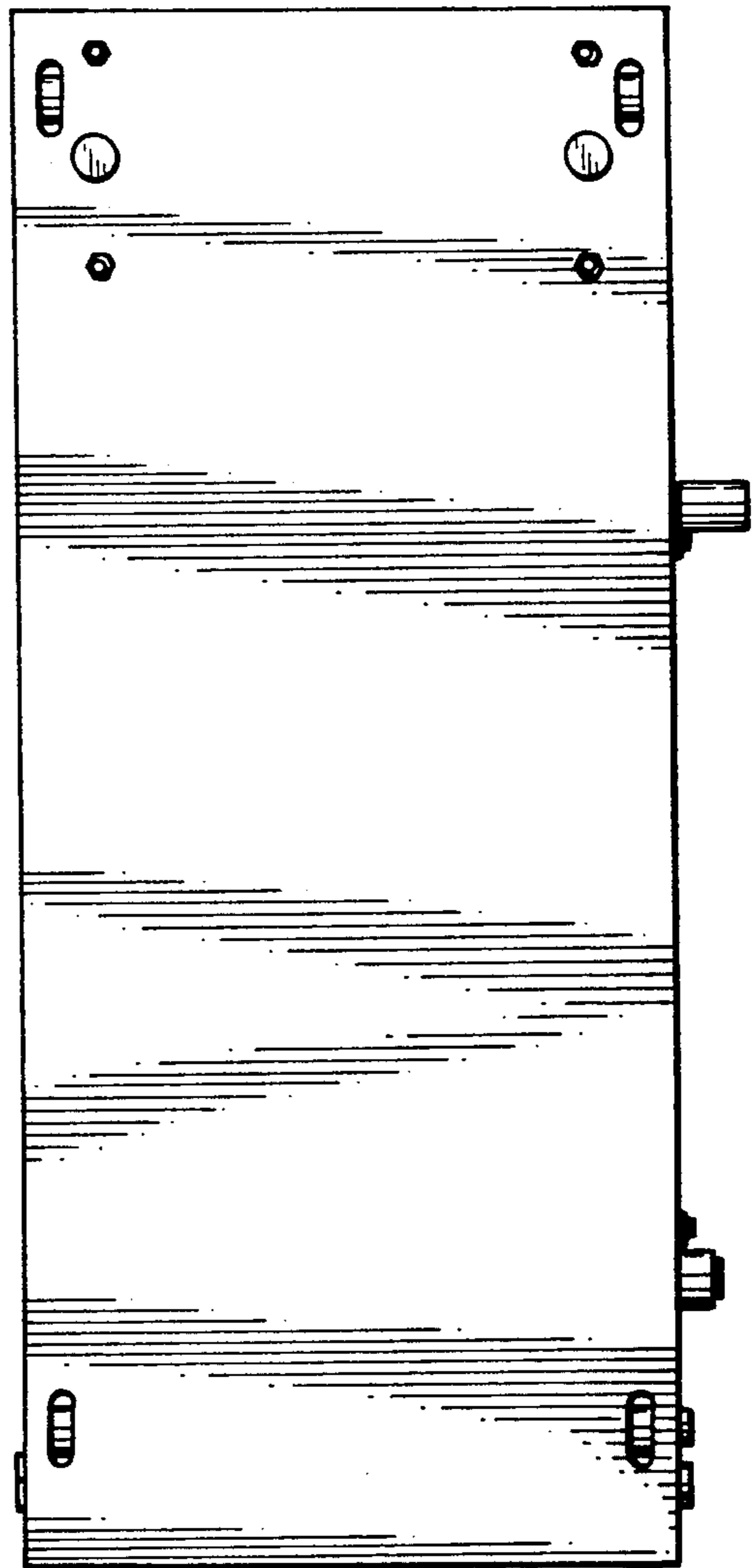
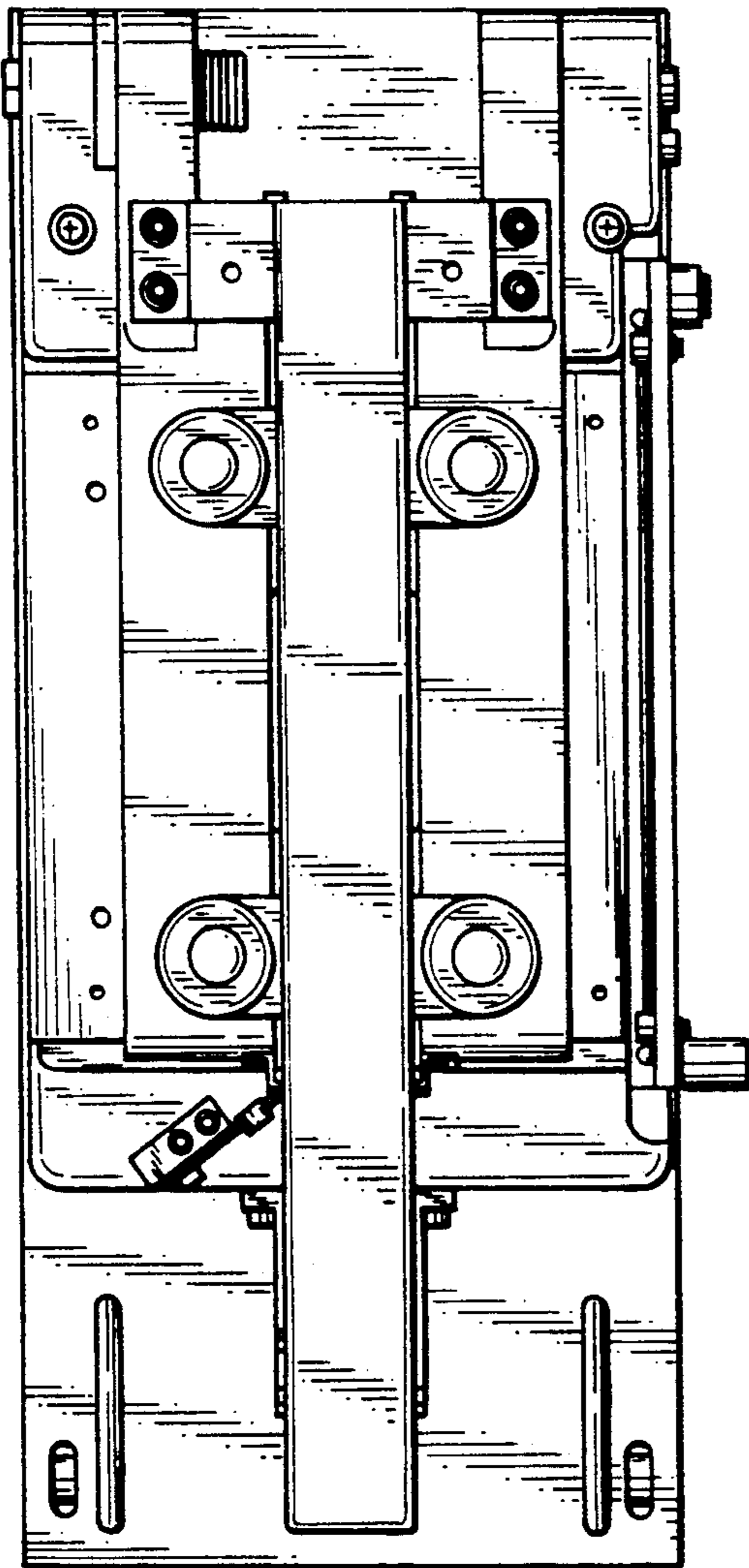


Fig. 6

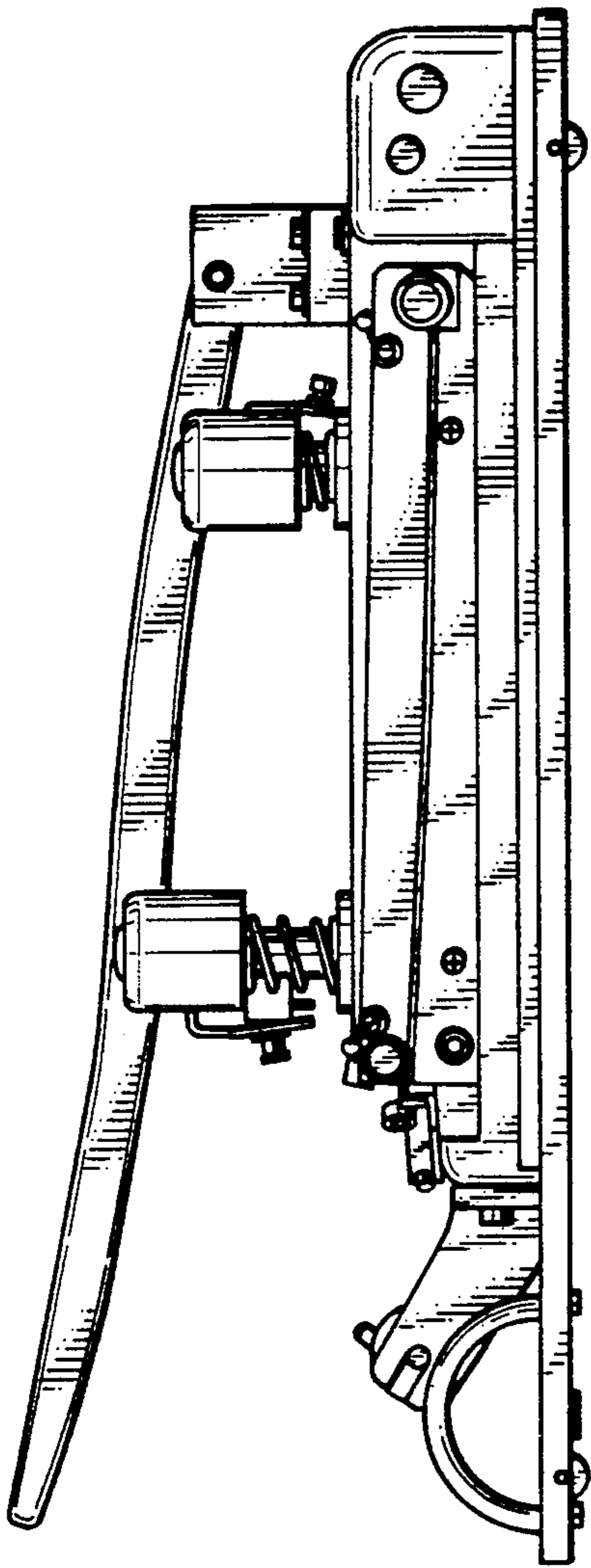
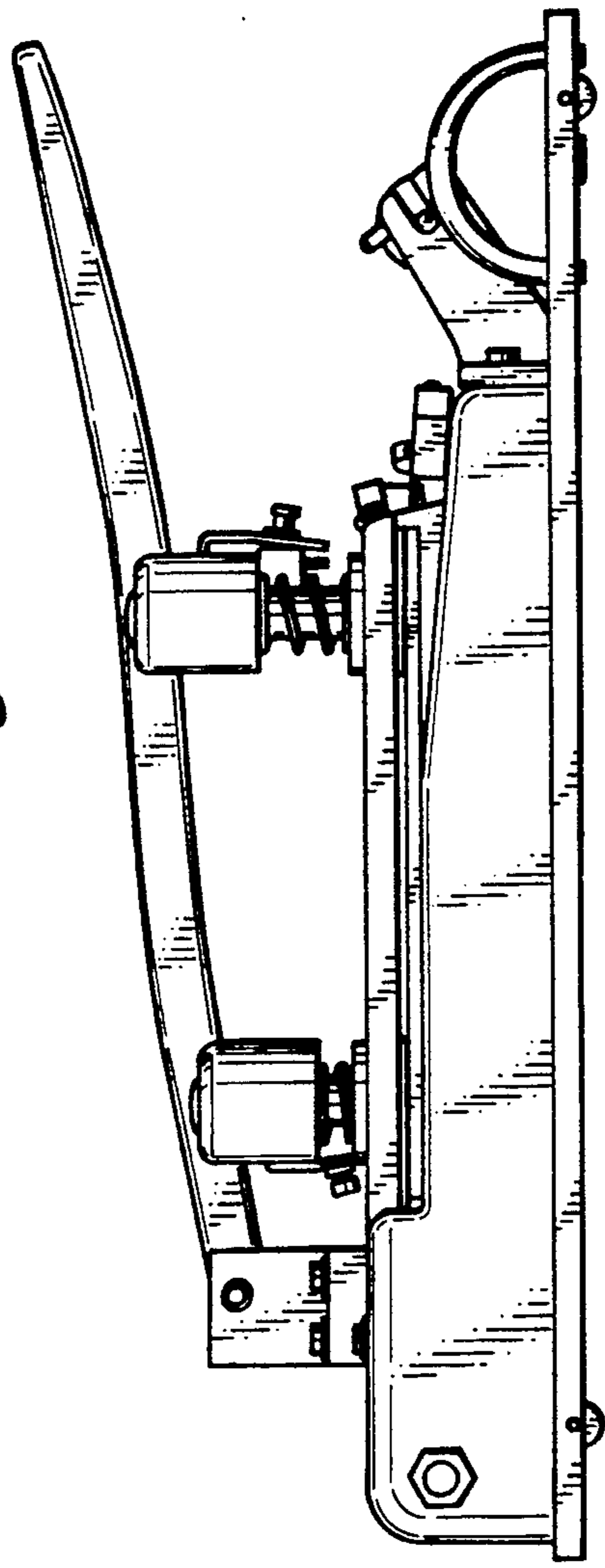


Fig. 7



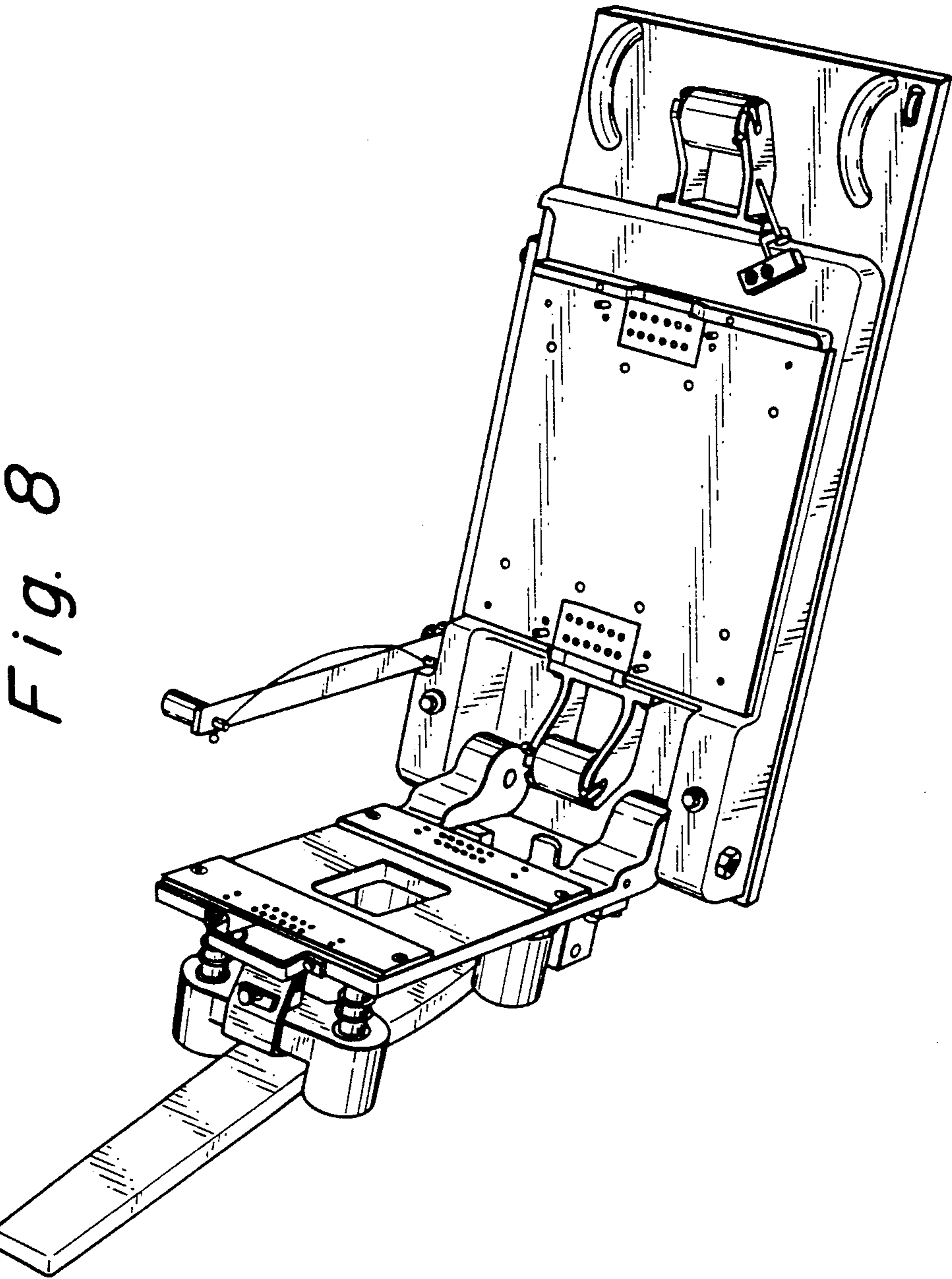


Fig. 8