



US00D334876S

United States Patent [19]

Swedish

[11] Patent Number: **Des. 334,876**

[45] Date of Patent: **** Apr. 20, 1993**

[54] HEAT GUN

[75] Inventor: **Gary B. Swetish, Racine, Wis.**

[73] Assignee: **Master Appliance Corporation, Racine, Wis.**

[**] Term: **14 Years**

[21] Appl. No.: **650,712**

[22] Filed: **Feb. 4, 1991**

[52] U.S. Cl. **D8/29.1; D8/69**

[58] Field of Search 219/368, 369, 370; 392/384, 385, 369; D8/29.1, 30

4,135,080	1/1979	Wells	219/370
4,260,875	4/1981	Walter	219/364
4,629,864	12/1986	Wilson	219/374
4,668,855	5/1987	Wilson	219/370
4,683,370	7/1987	Petersen et al.	29/370

OTHER PUBLICATIONS

Robert Bosch, Power Tool Corporation, Catalog Cover enclosed dated Jun. 1985 Heat Gun, Model 3268. Easypower Corp., add sheet.

Emhart Home Products Division Thermostrip ad sheet. Metabowerke GmbH & Co.—single page ad.

Primary Examiner—Alan P. Douglas

Assistant Examiner—J. H. Musgrove

Attorney, Agent, or Firm—Arthur J. Hansmann

[56] References Cited

U.S. PATENT DOCUMENTS

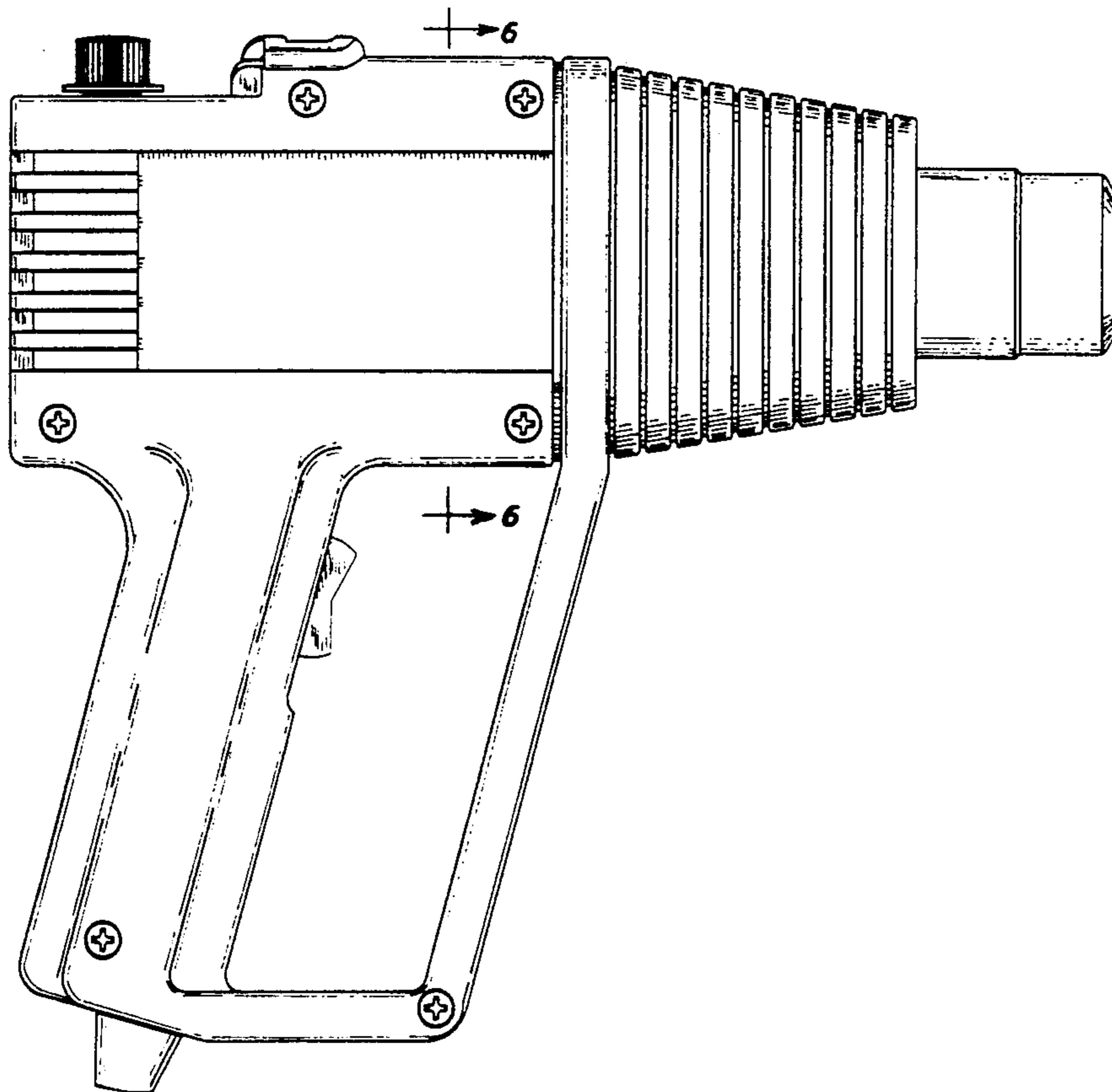
D. 232,554	8/1974	Benjamin	D23/3
D. 252,769	8/1979	Shin et al.	D28/3
D. 259,234	5/1981	Pfeil	392/385
D. 279,814	7/1985	Gaines	D23/77
D. 282,013	12/1985	Kerschgens	D28/13
D. 288,472	2/1987	Miller et al.	D23/77
D. 288,841	3/1987	Steinel	D23/77
D. 293,020	12/1987	Steinel	D23/332
D. 296,070	6/1988	Cunningham	D8/29.1
D. 310,733	9/1990	Gelinas	D28/13
D. 322,742	12/1991	Spratt	D8/29.1
3,094,606	6/1963	Ferris	219/39
3,211,890	10/1965	Graves	219/370
3,492,462	10/1966	Schumacher	349/246.2

[57] CLAIM

The ornamental design for a heat gun, as shown and described.

DESCRIPTION

FIG. 1 is a side elevational view of a heat gun, showing my new design, the side opposite being the same as the side shown, except for the screws shown; FIG. 2 is a bottom plan view thereof; FIG. 3 is a top plan view thereof; FIG. 4 is a front elevational view thereof; FIG. 5 is a rear elevational view thereof; and, FIG. 6 is a view taken along the line 6—6 of FIG. 1 to further show the contour of the heat gun.



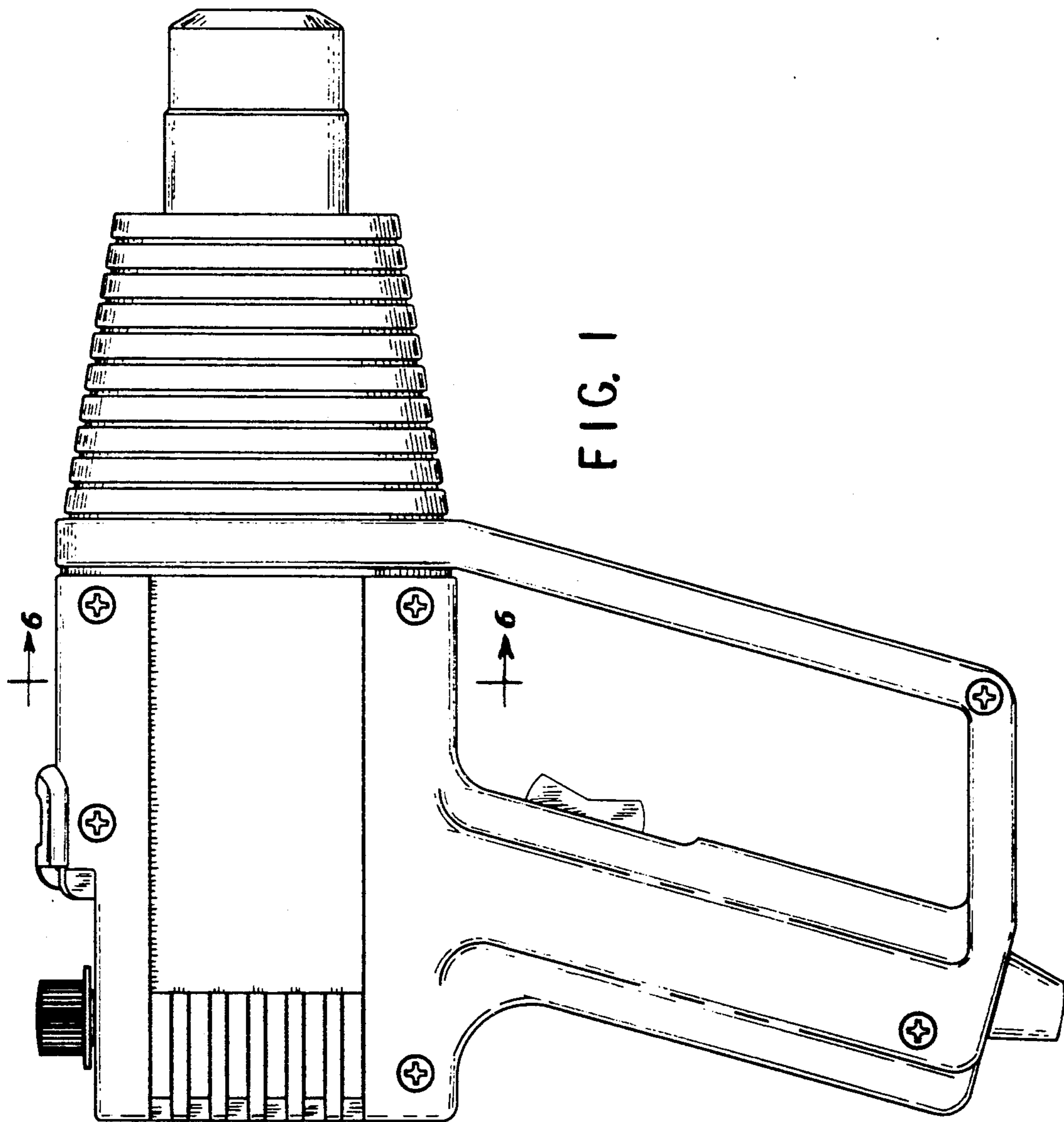


FIG. 1

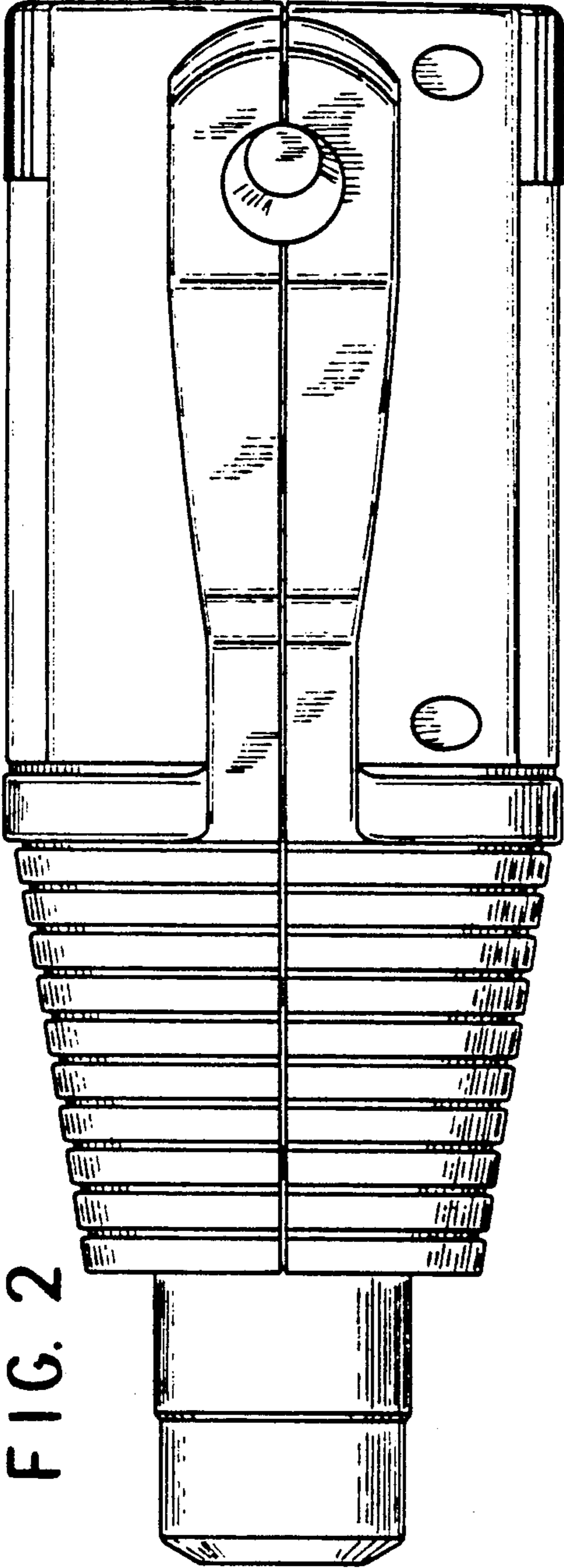


FIG. 2

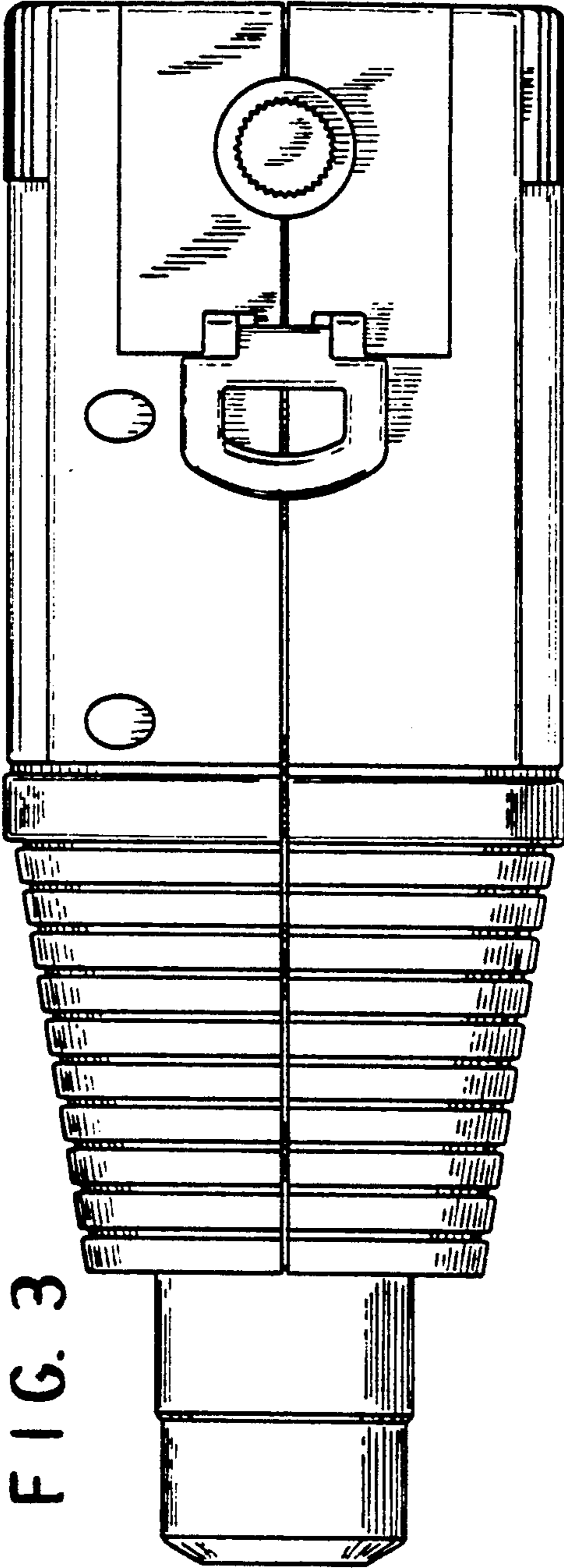


FIG. 3

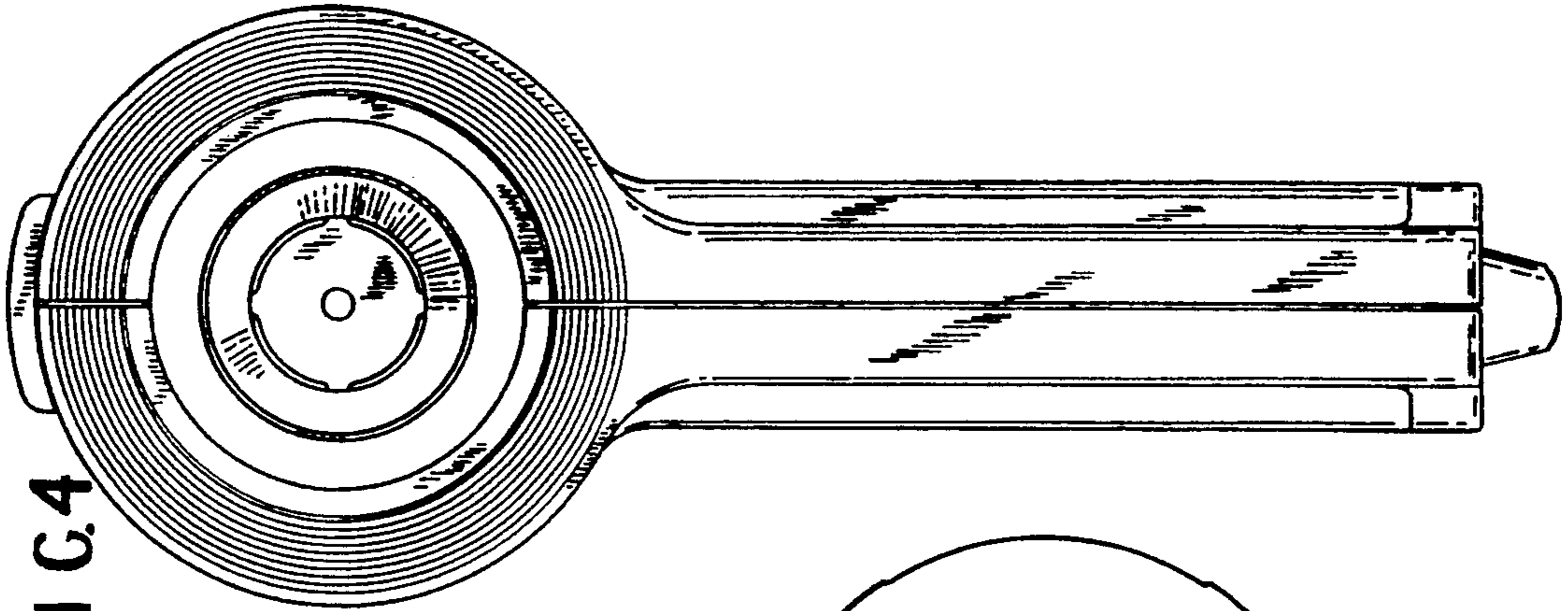


FIG. 4

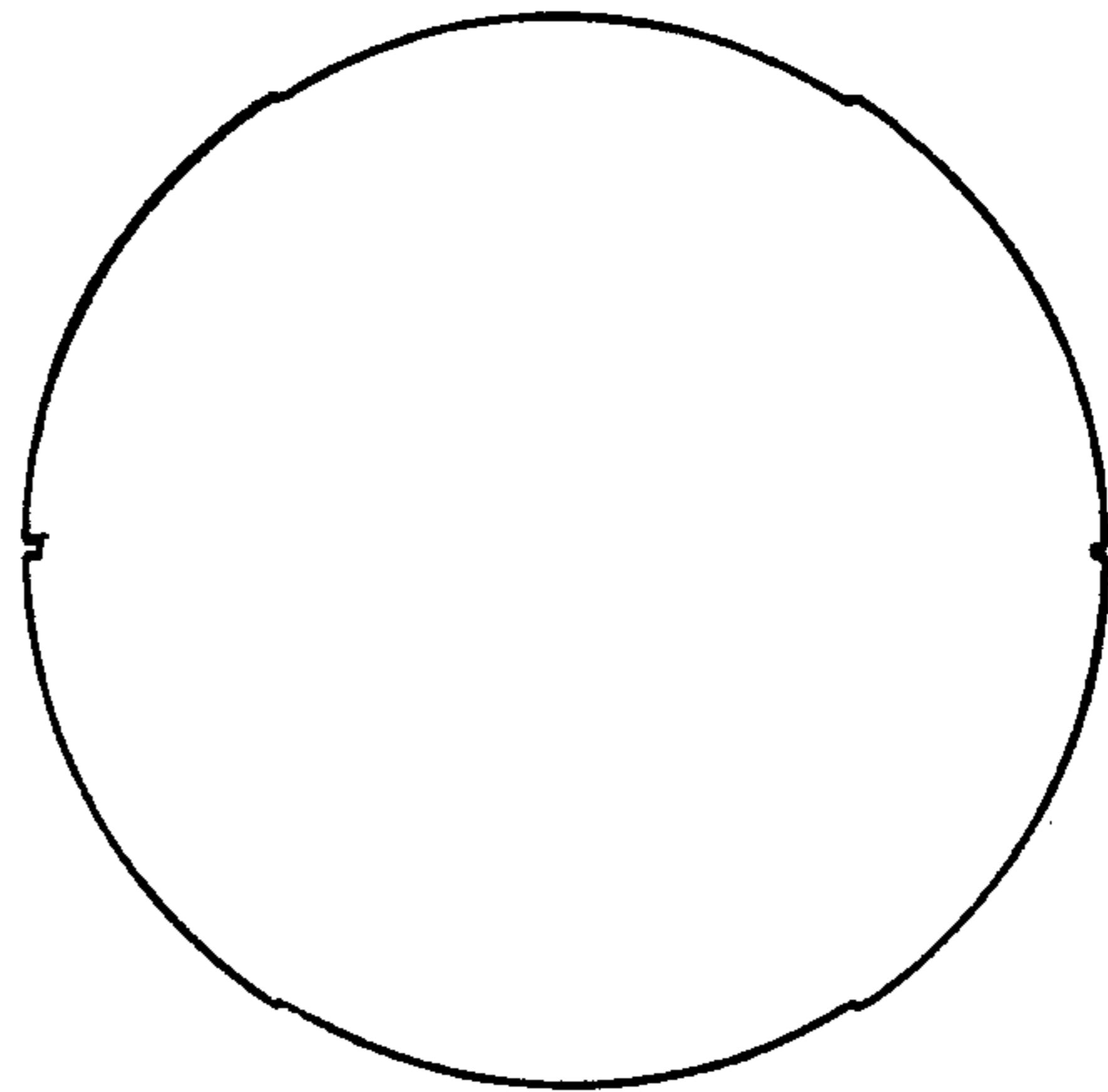


FIG. 6

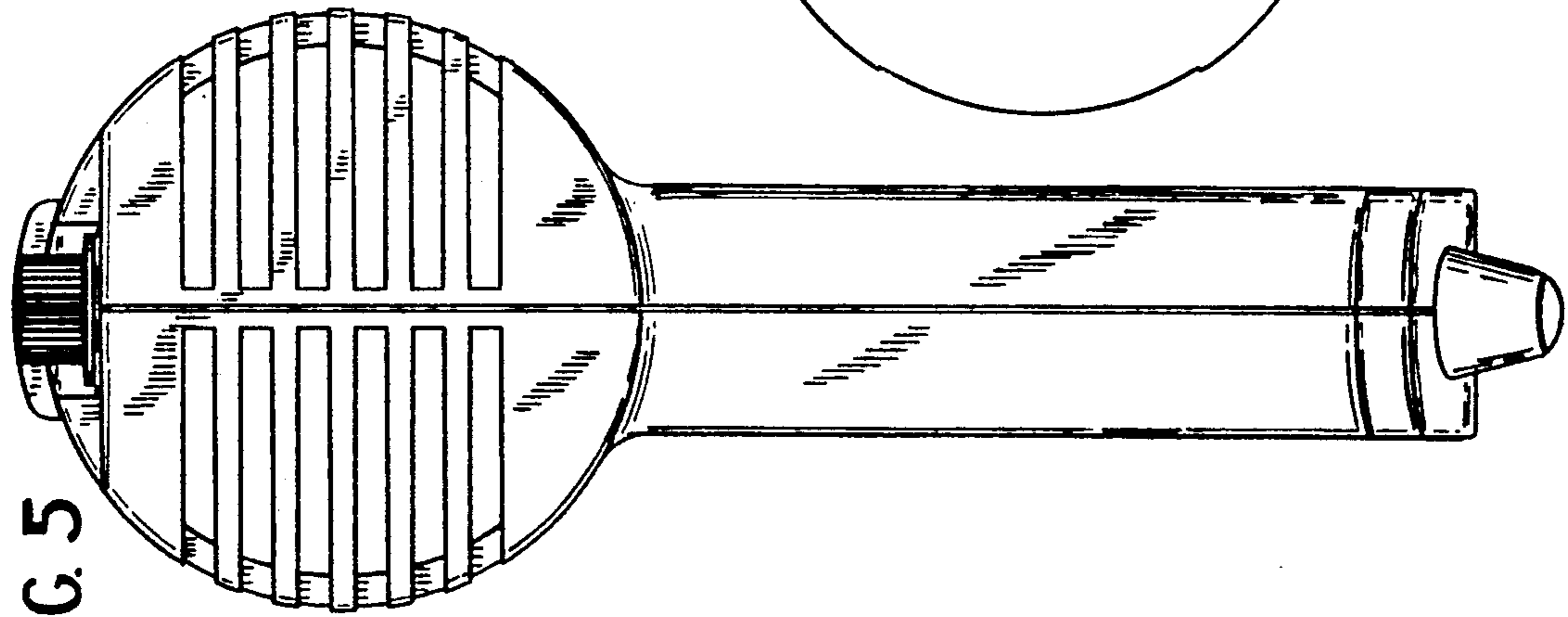


FIG. 5