



US00D334875S

# United States Patent [19]

Behnke

[11] Patent Number: **Des. 334,875**

[45] Date of Patent: **\*\* Apr. 20, 1993**

[54] **GRATER**

[76] Inventor: **William Behnke, 1288 Elmwood Dr., Ypsilanti, Mich. 48197**

[\*\*] Term: **14 Years**

[21] Appl. No.: **748,394**

[22] Filed: **Aug. 22, 1991**

[52] U.S. Cl. .... **D7/678**

[58] Field of Search ..... **D7/678, 673; 241/95, 241/168, 273.1-0.4, 274**

3,133,570 5/1964 Leszczynski ..... D7/678 X  
 3,583,454 6/1971 Börner ..... D7/678 X

*Primary Examiner*—Terry A. Pfeffer  
*Attorney, Agent, or Firm*—Terry M. Gernstein

### [57] CLAIM

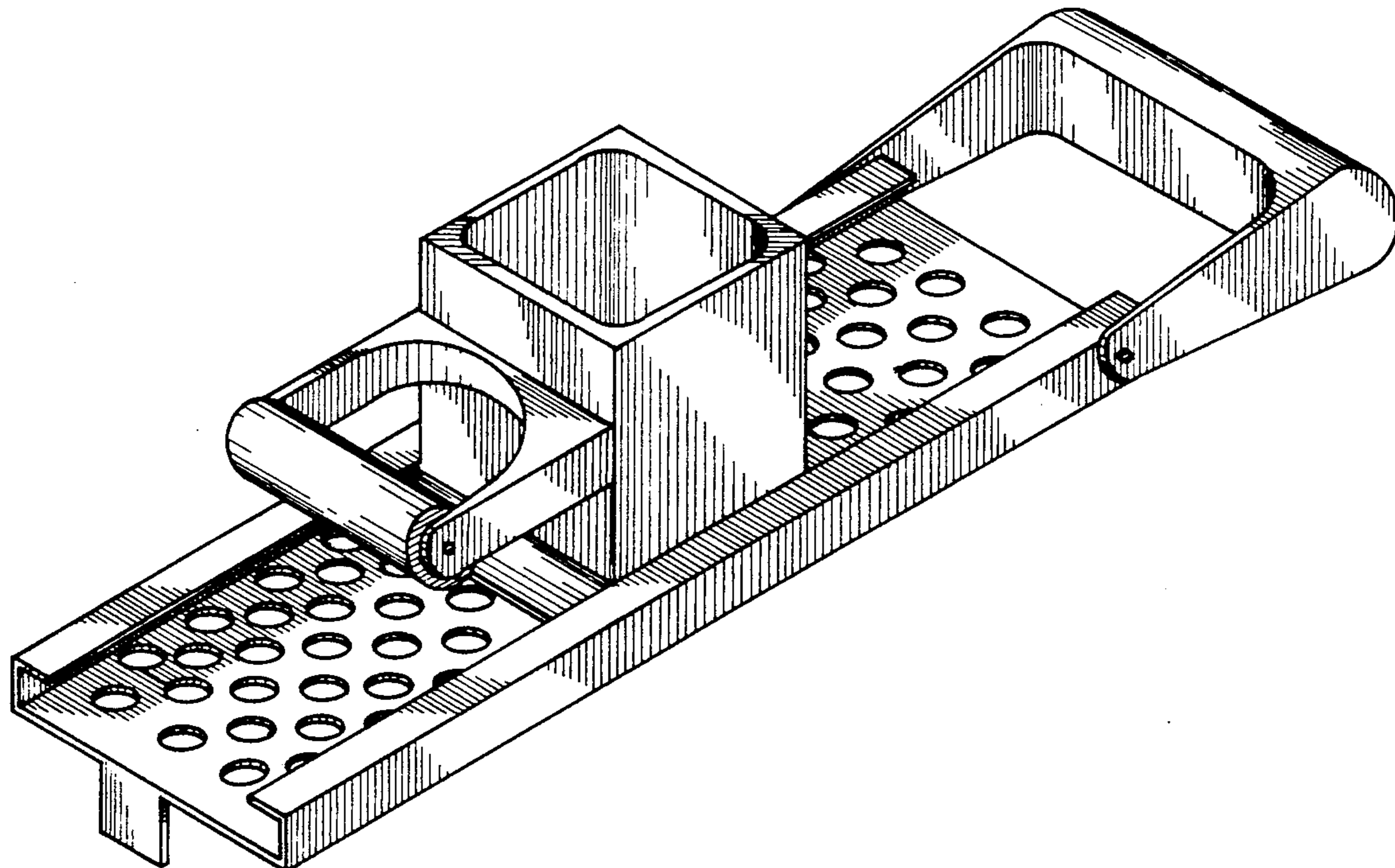
The ornamental design for a grater, as shown and described.

### DESCRIPTION

FIG. 1 is a perspective view of the grater showing my new design;  
 FIG. 2 is a front end elevational view thereof;  
 FIG. 3 is a rear end elevational view thereof;  
 FIG. 4 is a side elevational view thereof, the side opposite being a mirror image of the side shown in FIG. 4;  
 FIG. 5 is a top plan view thereof; and,  
 FIG. 6 is a bottom plan view thereof.

[56] **References Cited**  
**U.S. PATENT DOCUMENTS**

D. 249,044	8/1978	Popeil .....	D7/673 X
2,252,859	8/1941	Murdock .....	7/678
2,405,056	7/1946	Rosenbloom .....	7/678
2,482,180	9/1949	Heard .....	7/678



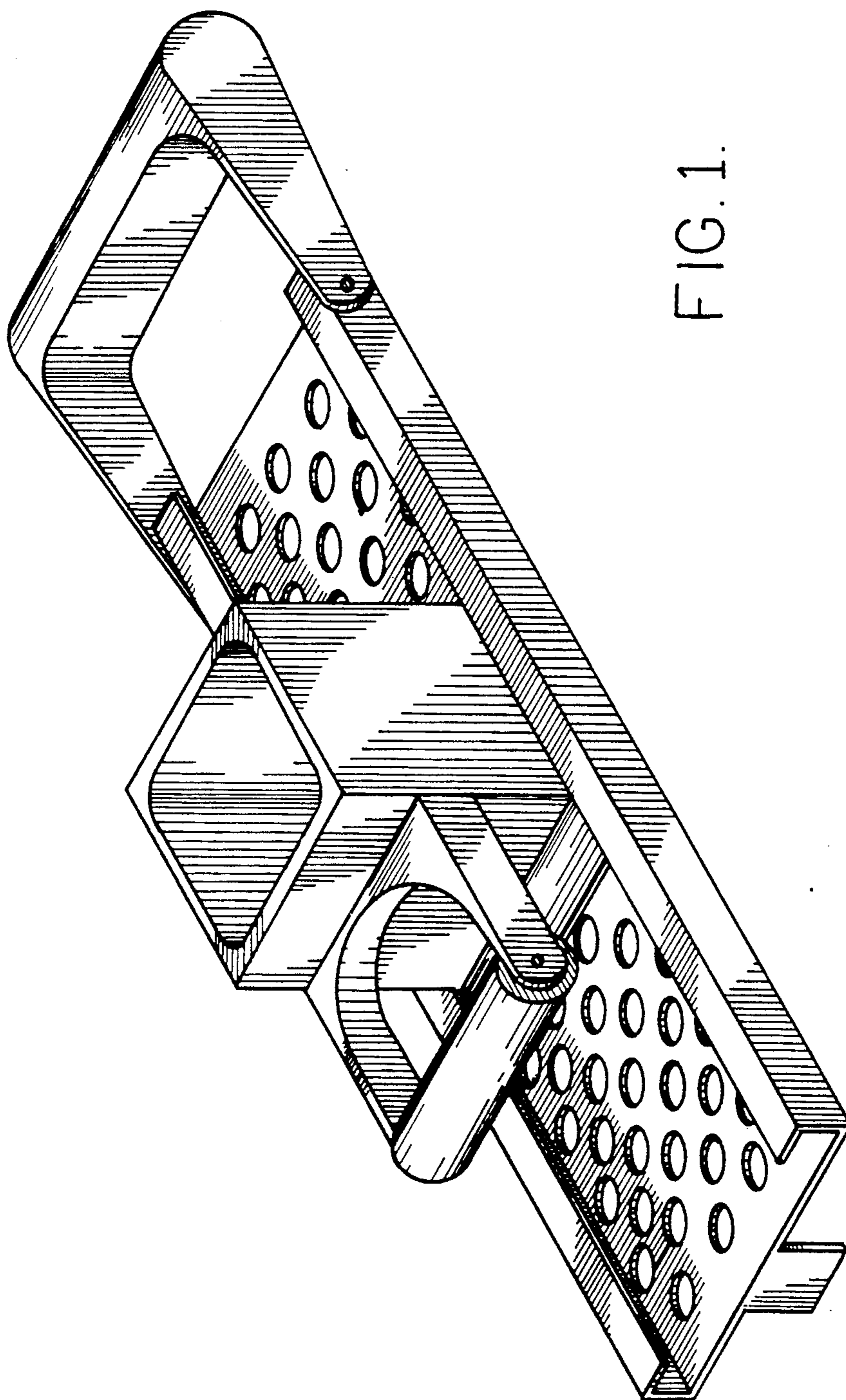
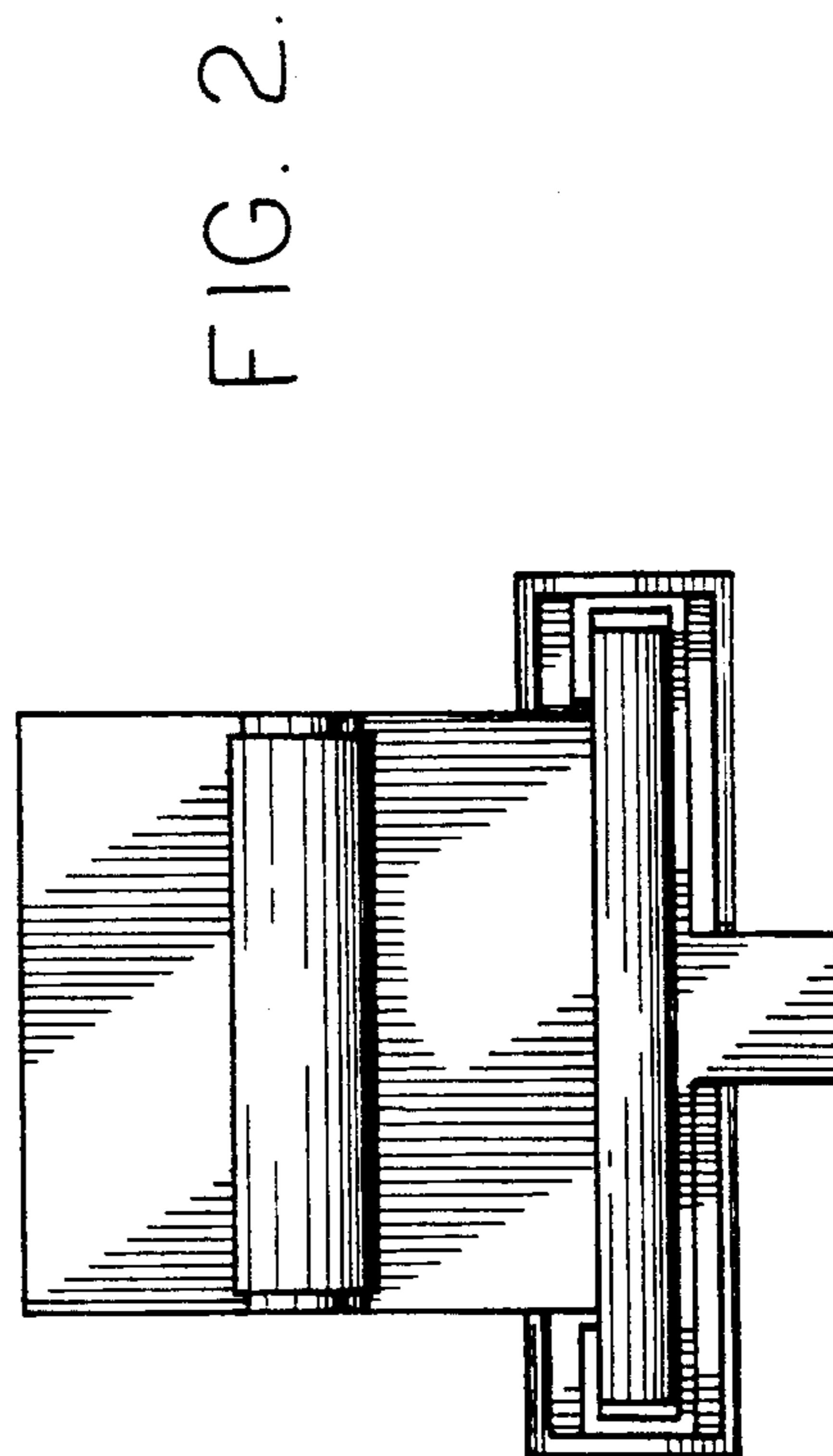
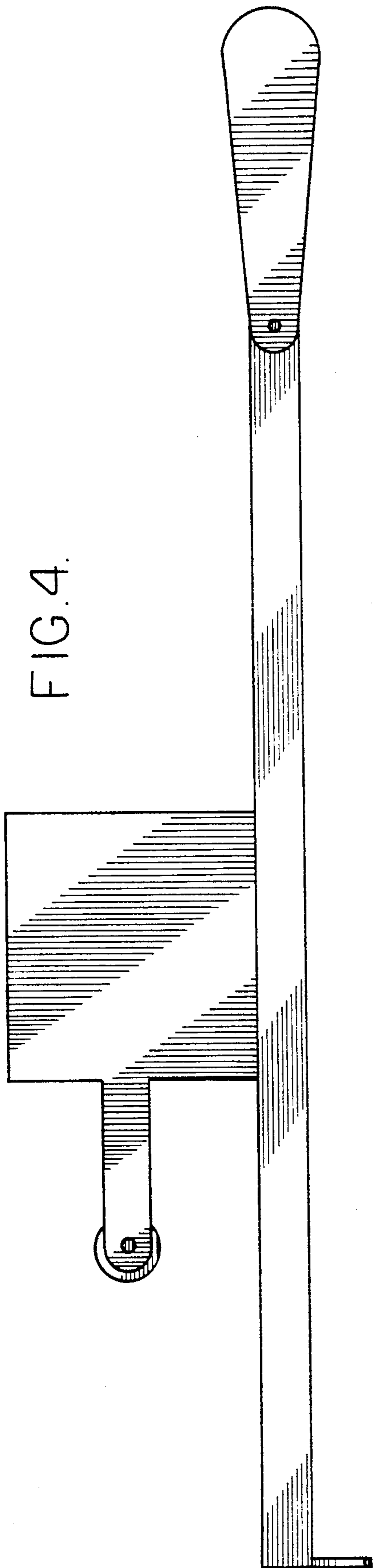


FIG. 1.



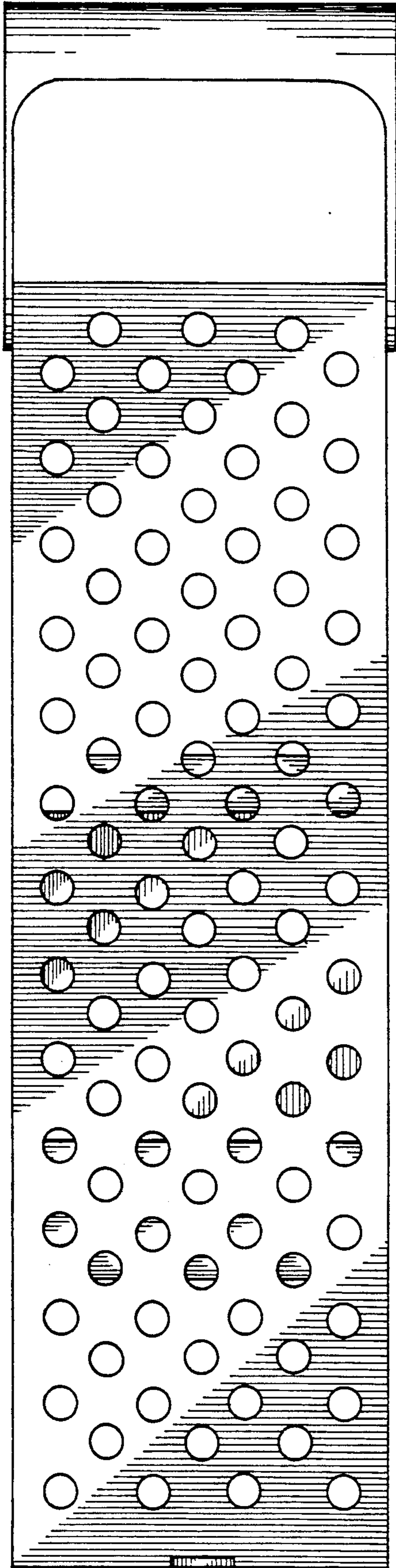


FIG. 6.

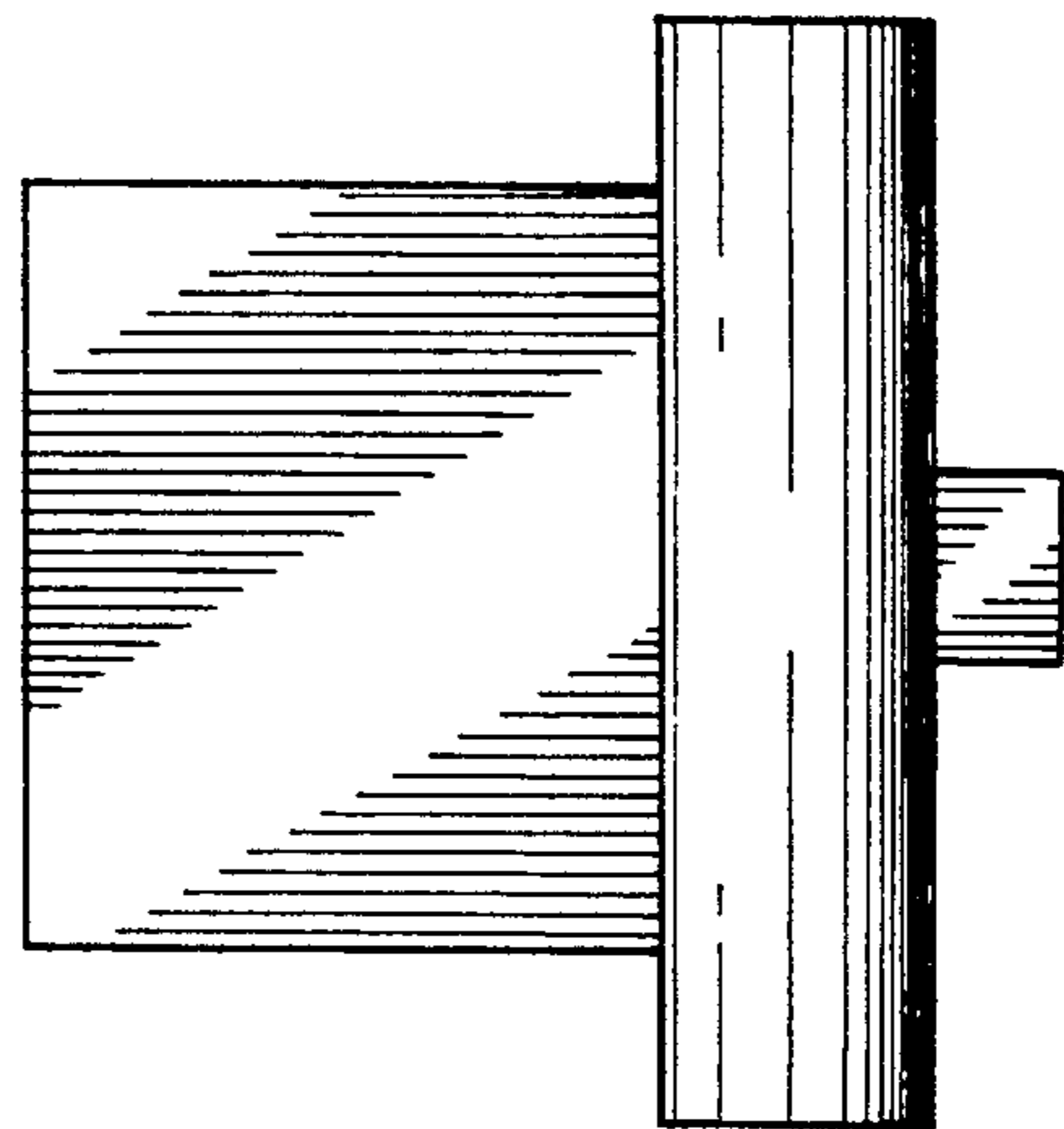


FIG. 3.

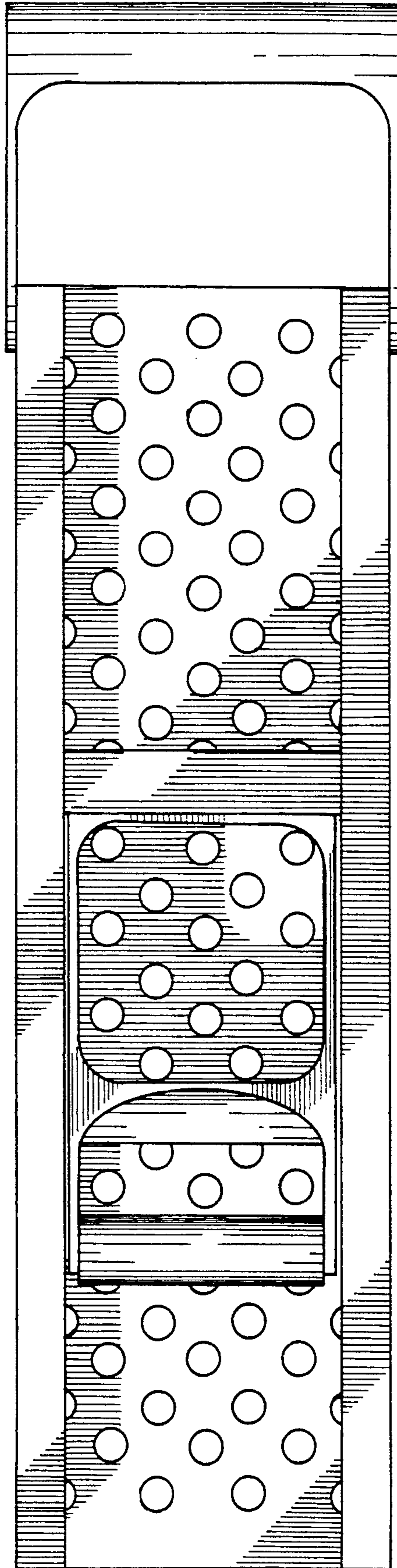


FIG. 5.