



US00D334869S

United States Patent [19]

[11] Patent Number: **Des. 334,869**

Mills

[45] Date of Patent: **** Apr. 20, 1993**

[54] **TWO PIECE HOT AND COLD MUG**

3,353,729 11/1967 Hull 220/737 X
4,746,028 5/1988 Bagg D7/608 X

[76] Inventor: **Douglas W. Mills**, 1557 W. Fairfield Rd., Freeport, Ill. 61032

Primary Examiner—Terry A. Pfeffer
Attorney, Agent, or Firm—Kajane McManus

[**] Term: **14 Years**

[57] **CLAIM**

[21] Appl. No.: **721,217**

The ornamental design for a two piece hot and cold mug, as shown and described.

[22] Filed: **Jun. 25, 1991**

[52] U.S. Cl. **D7/605; D7/536**

DESCRIPTION

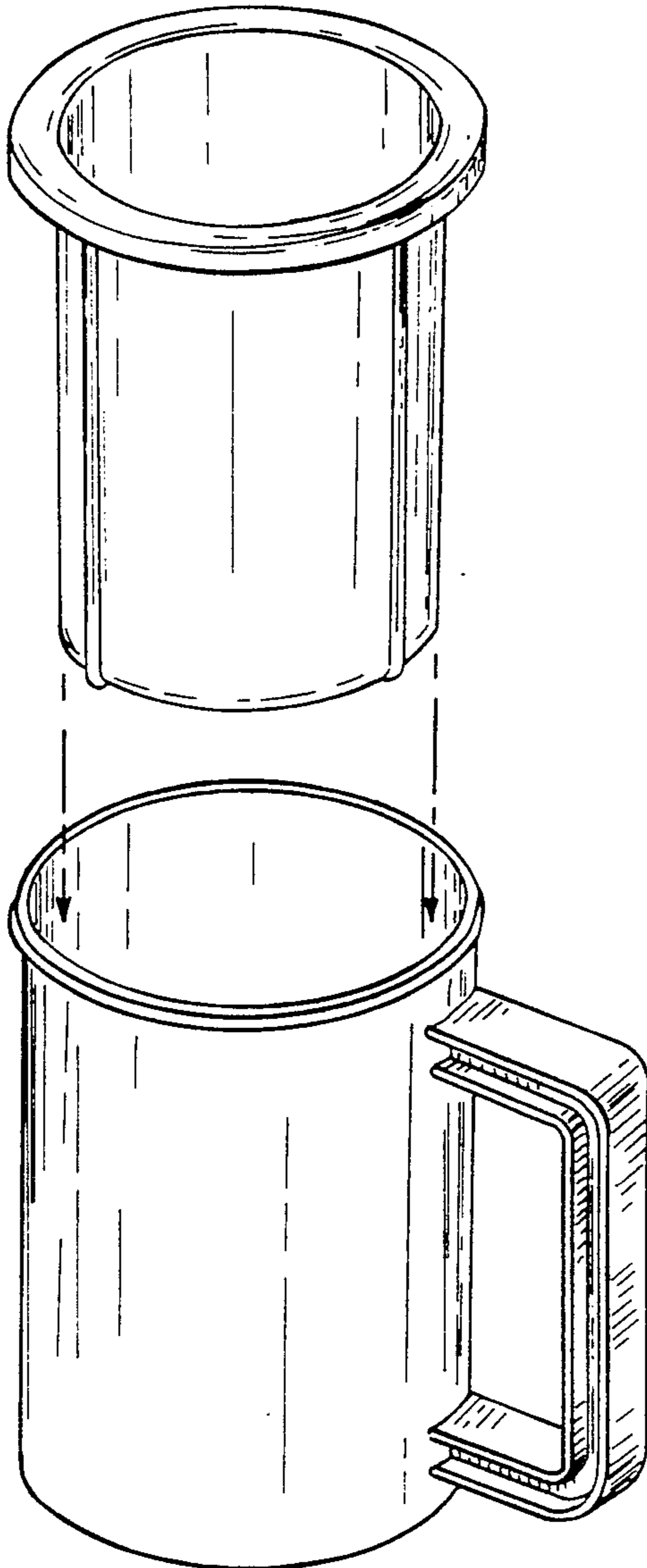
[58] Field of Search **D7/509, 533-536, D7/605-608, 619-625; 62/372, 457.1, 457.3-457.5; 215/100.5; 220/737-739**

FIG. 1 is a perspective view of the two piece hot and cold mug showing my new design;
FIG. 2 is an exploded perspective thereof;
FIG. 3 is a side elevational view thereof;
FIG. 4 is a front elevation thereof;
FIG. 5 is a top plan view thereof;
FIG. 6 is a rear elevational view thereof; and,
FIG. 7 is a bottom plan view thereof.

[56] **References Cited**

U.S. PATENT DOCUMENTS

D. 279,850 7/1985 Brooker et al. D7/624 X
D. 286,967 12/1986 Appel D7/536 X



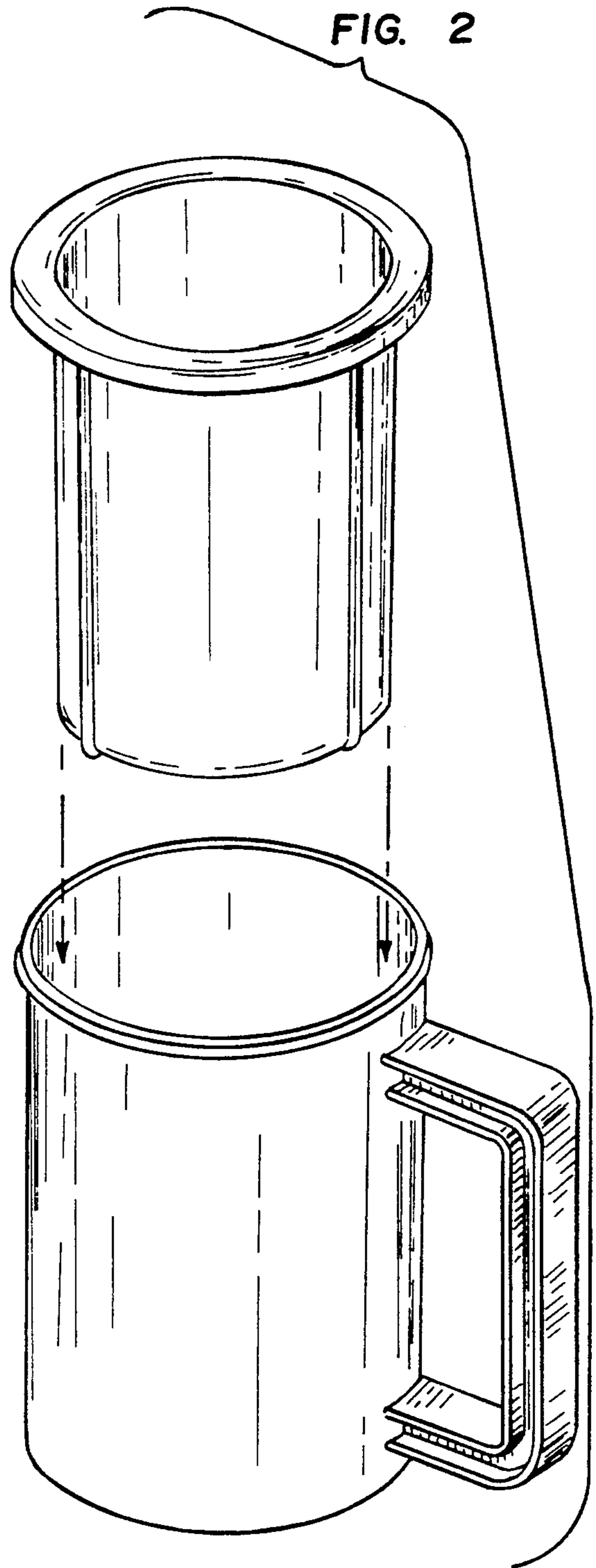
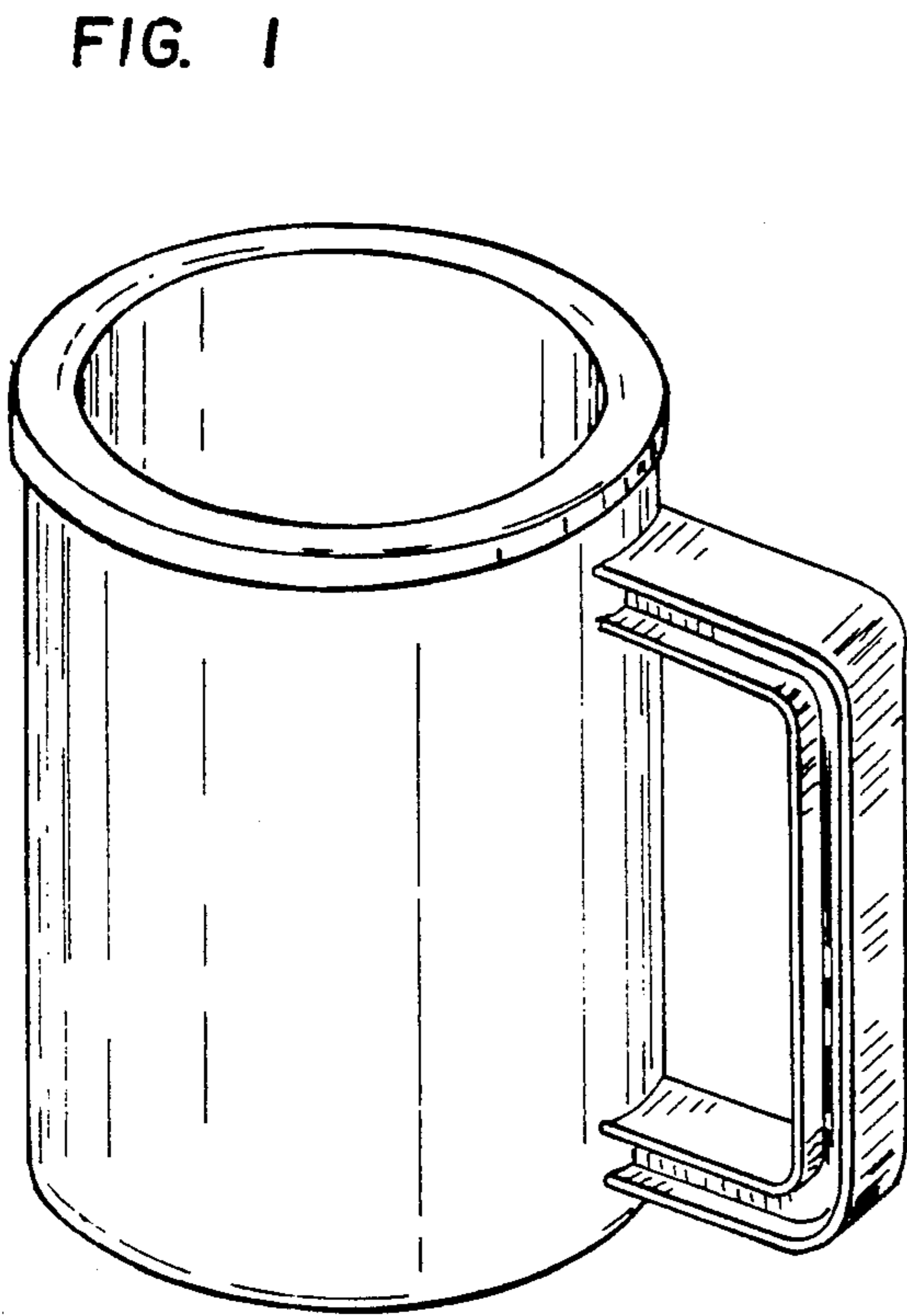


FIG. 3

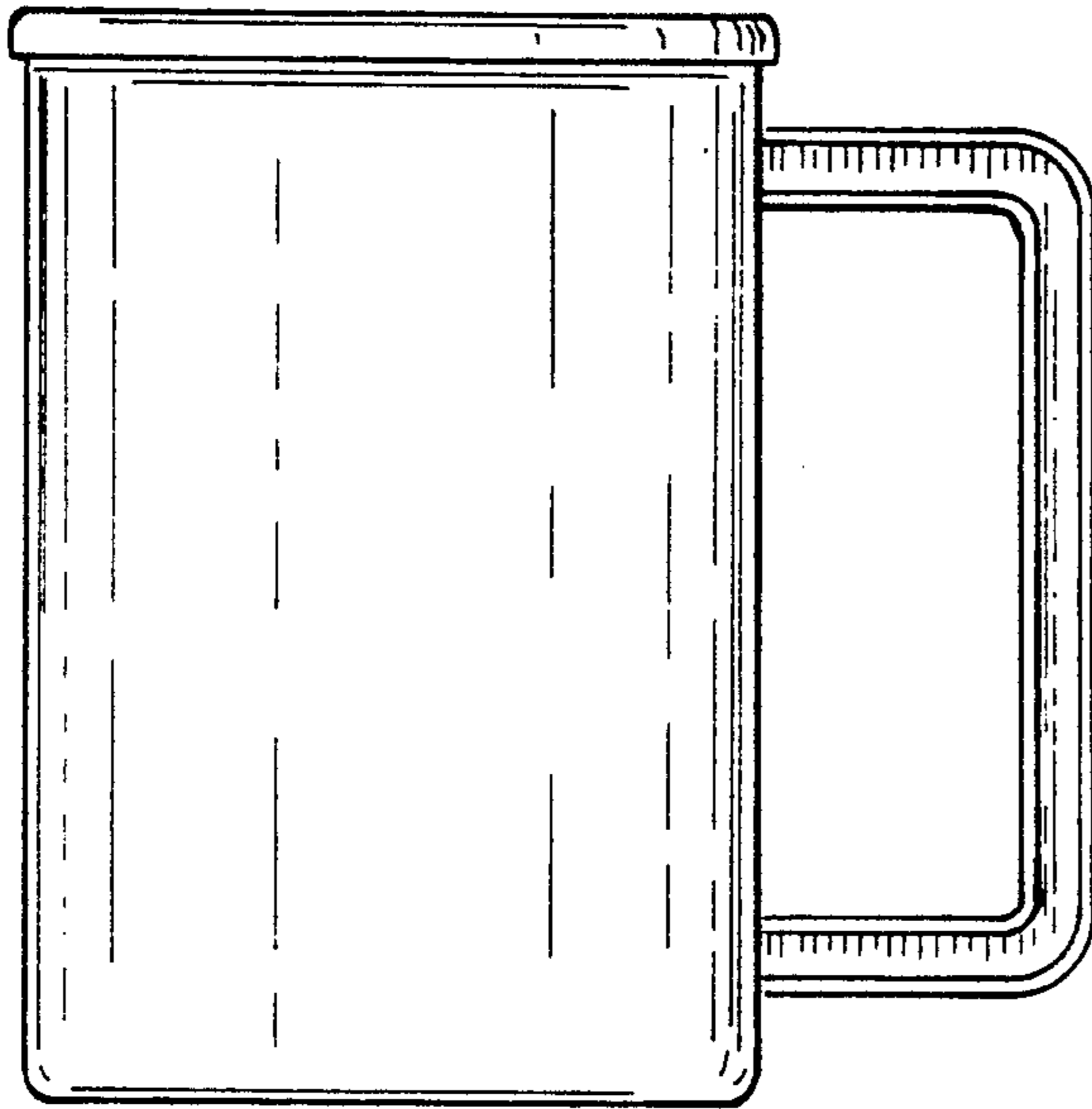


FIG. 4

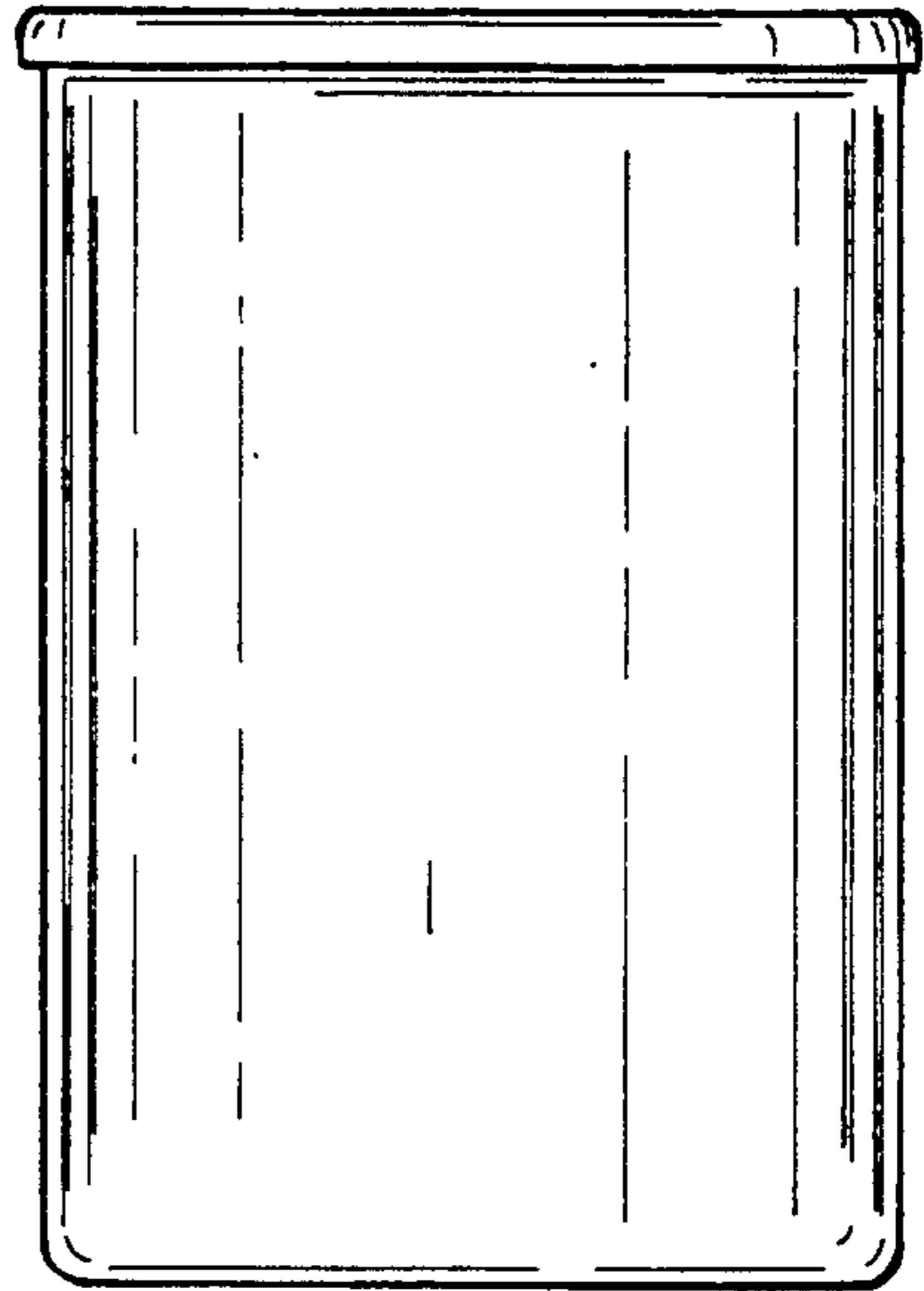


FIG. 5

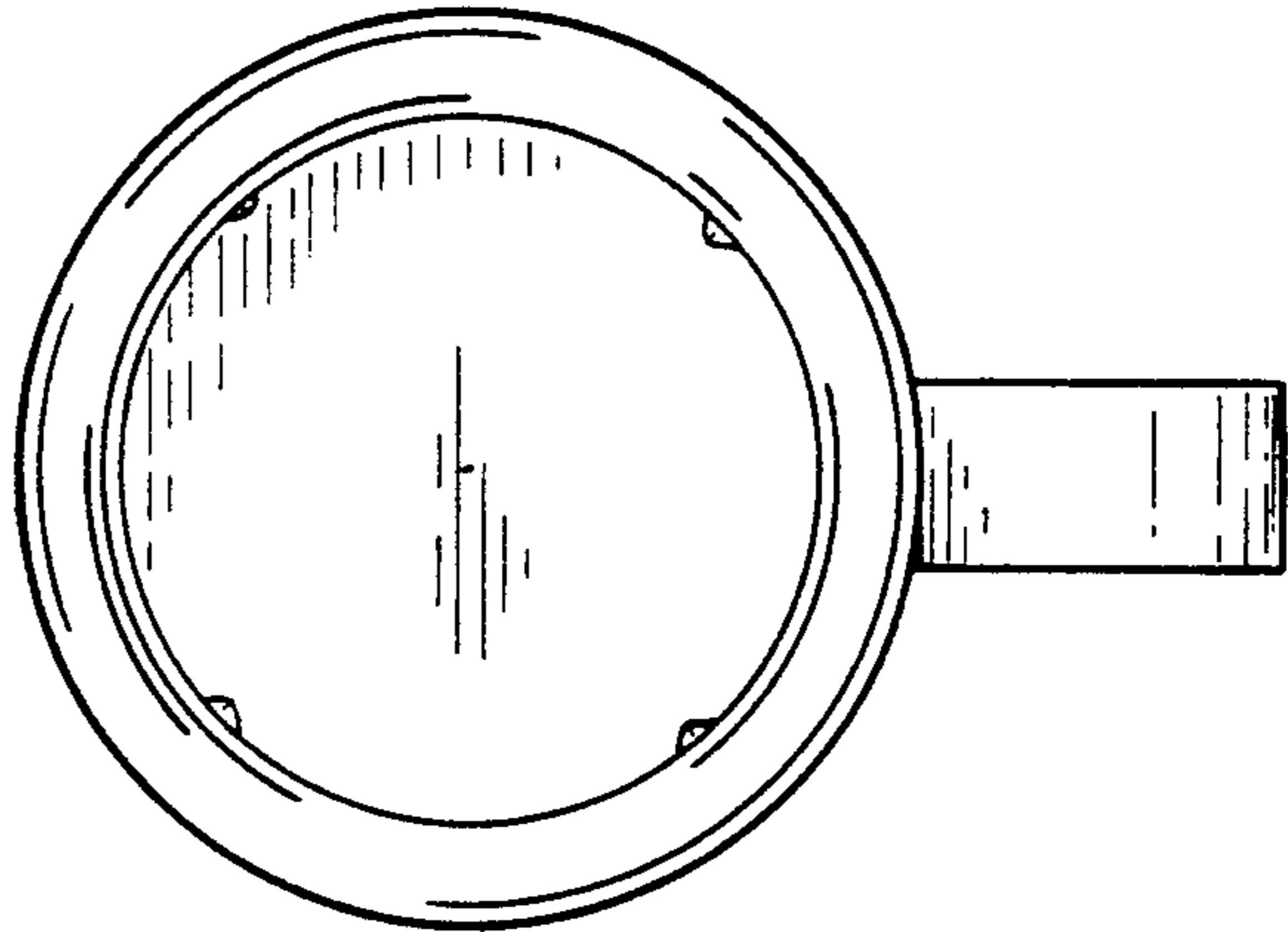


FIG. 6

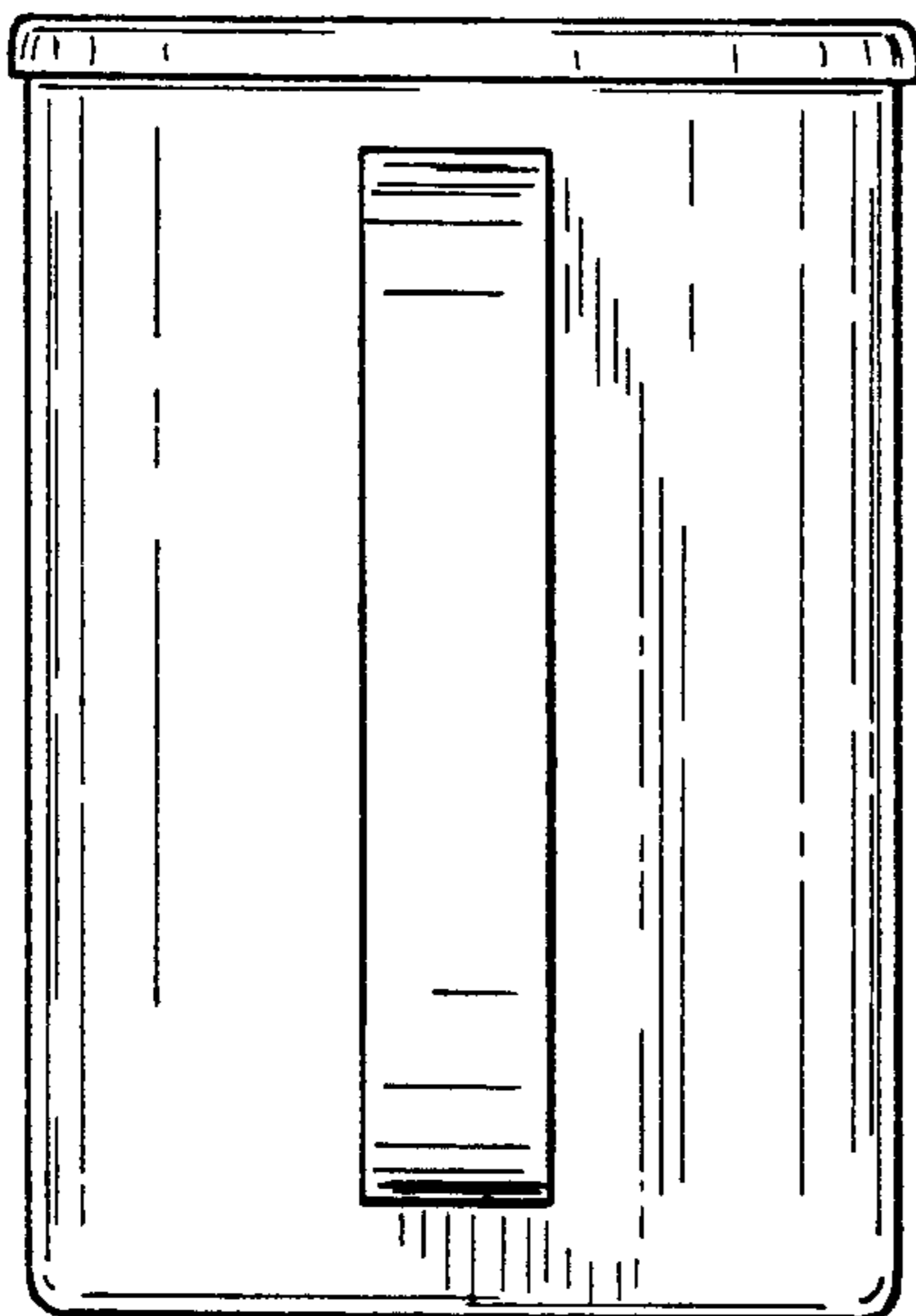


FIG. 7

