



US00D334864S

United States Patent [19]

[11] Patent Number: **Des. 334,864**

Chang

[45] Date of Patent: **** Apr. 20, 1993**

[54] **CONVECTION OVEN**

D. 321,109 10/1991 Erickson et al. D7/350
D. 321,110 10/1991 Worrell et al. D7/350

[76] Inventor: **Kwei T. Chang**, No. 14, Lane 54,
Luong Chuan St., Panchiao, Taipei
Hsien, Taiwan

OTHER PUBLICATIONS

American Harvest, 1989 "Jet-Stream Oven".

[**] Term: **14 Years**

Primary Examiner—A. Hugo Word

Assistant Examiner—Ruth McInroy

[21] Appl. No.: **780,651**

Attorney, Agent, or Firm—Lowe, Price, LeBlanc &
Becker

[22] Filed: **Oct. 23, 1991**

[52] U.S. Cl. **D7/350**

[57] **CLAIM**

[58] Field of Search D7/339, 347-351;
126/273 R, 273 A, 273.5, 274, 275 R, 275 E;
219/401-402, 405, 412, 414, 10.55 R, 10.55 A,
10.55 B, 10.55 C, 10.55 D, 10.55 F; 99/467,447

The ornamental design for a convection oven, as shown
and described.

DESCRIPTION

[56] **References Cited**

FIG. 1 is a perspective view of a convection oven
showing my new design;

FIG. 2 is a front elevational view thereof;

FIG. 3 is a rear elevational view thereof;

FIG. 4 is a right side elevational view thereof;

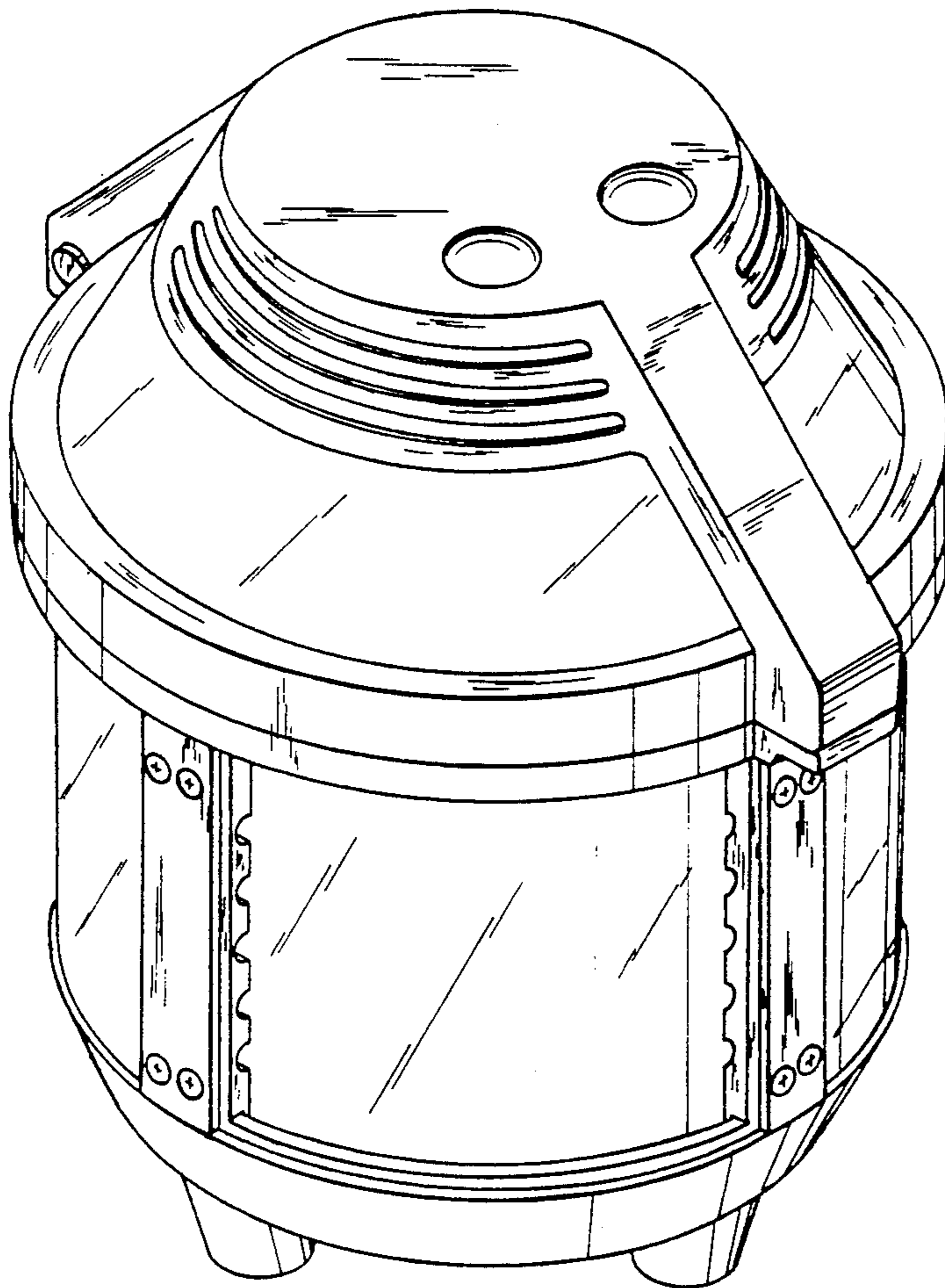
FIG. 5 is a left side elevational view thereof;

FIG. 6 is a top plan view thereof; and,

FIG. 7 is a bottom plan view thereof.

U.S. PATENT DOCUMENTS

- D. 245,162 7/1977 Zimmer D7/348
- D. 262,683 1/1982 Assmann D7/348
- D. 268,472 4/1983 Hideo D7/348
- D. 293,539 1/1988 Nishikawa D7/350
- D. 302,095 7/1989 Nishikawa D7/350



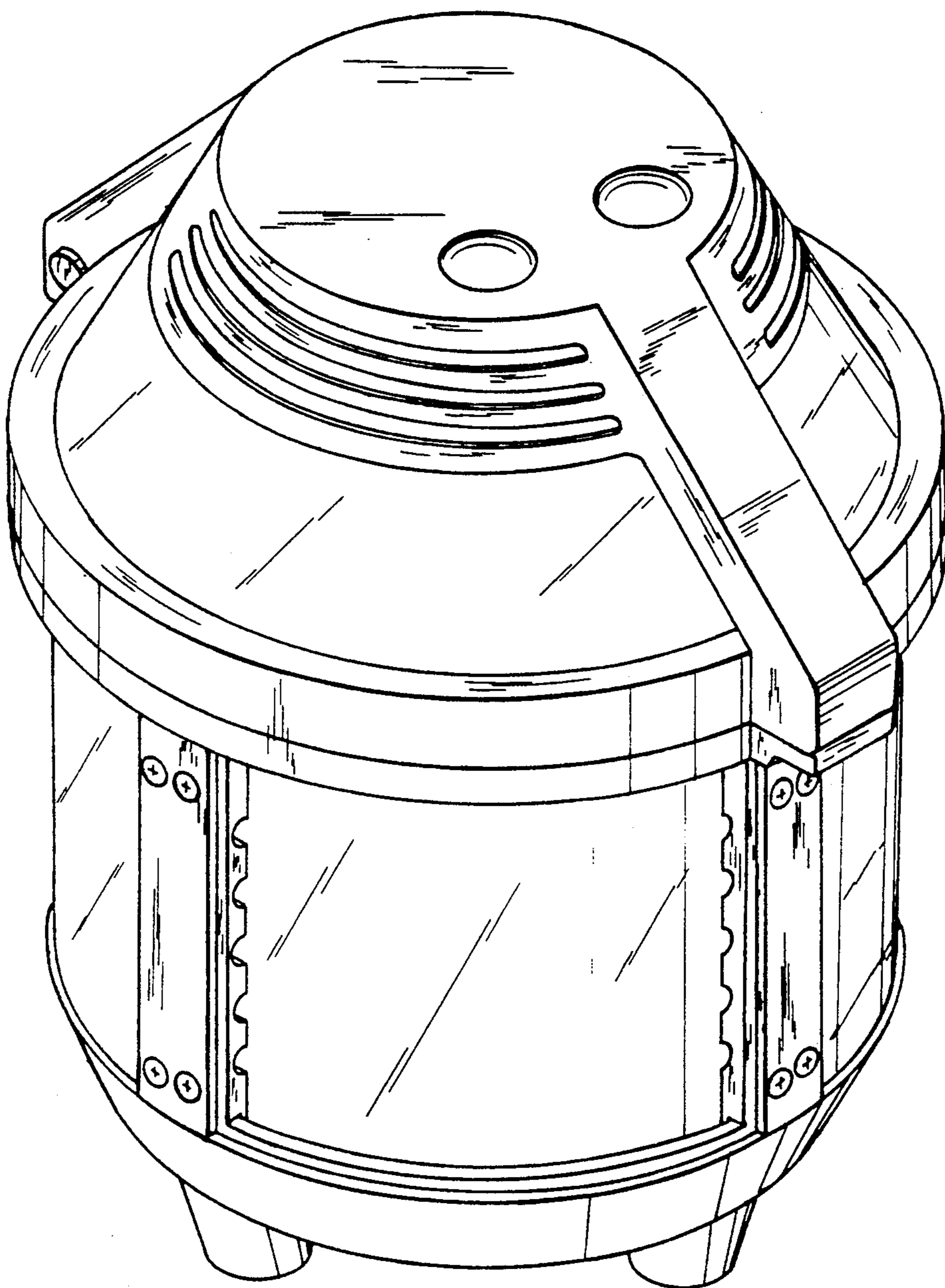


FIG. 1

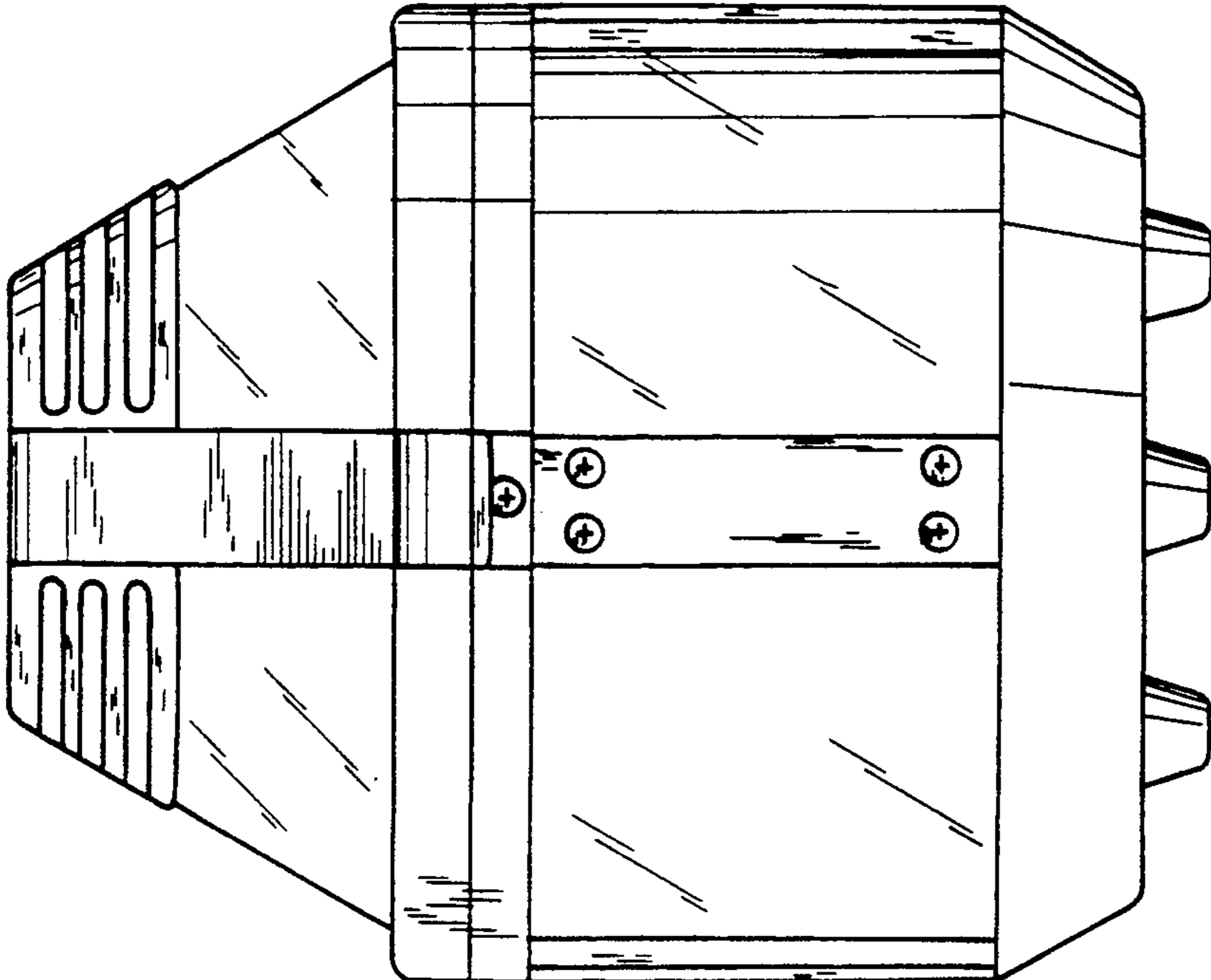


FIG. 2

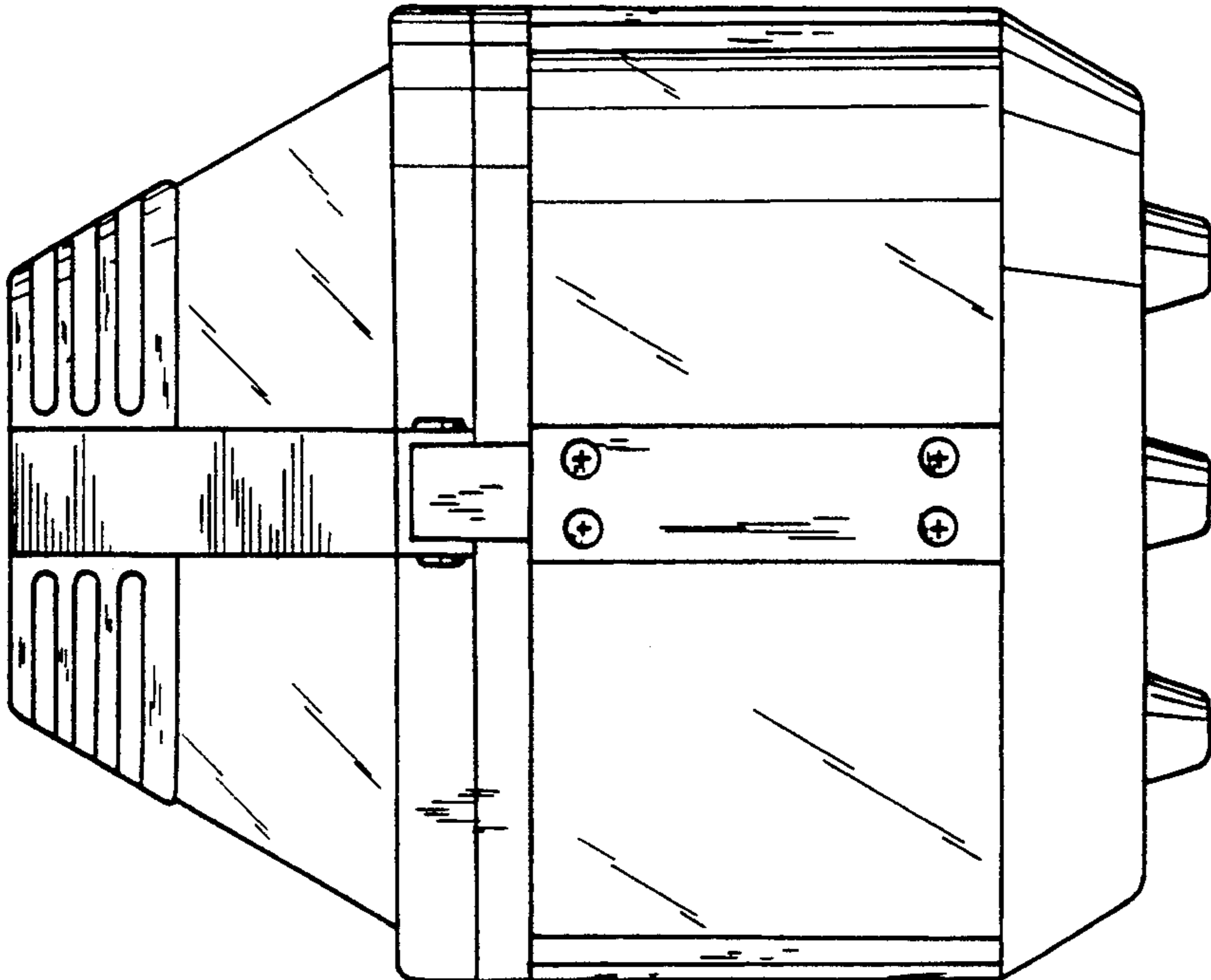


FIG. 3

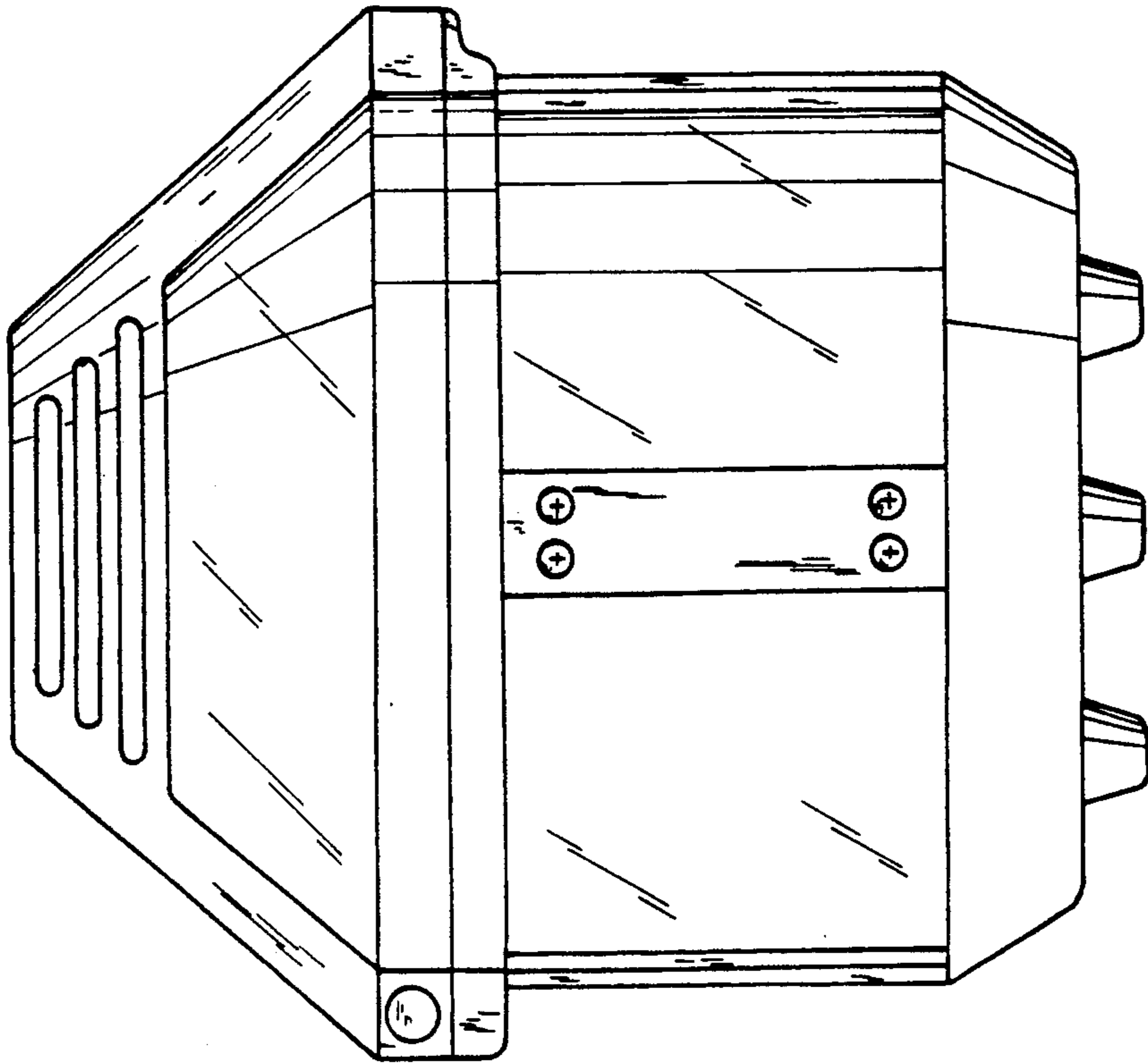


FIG. 4

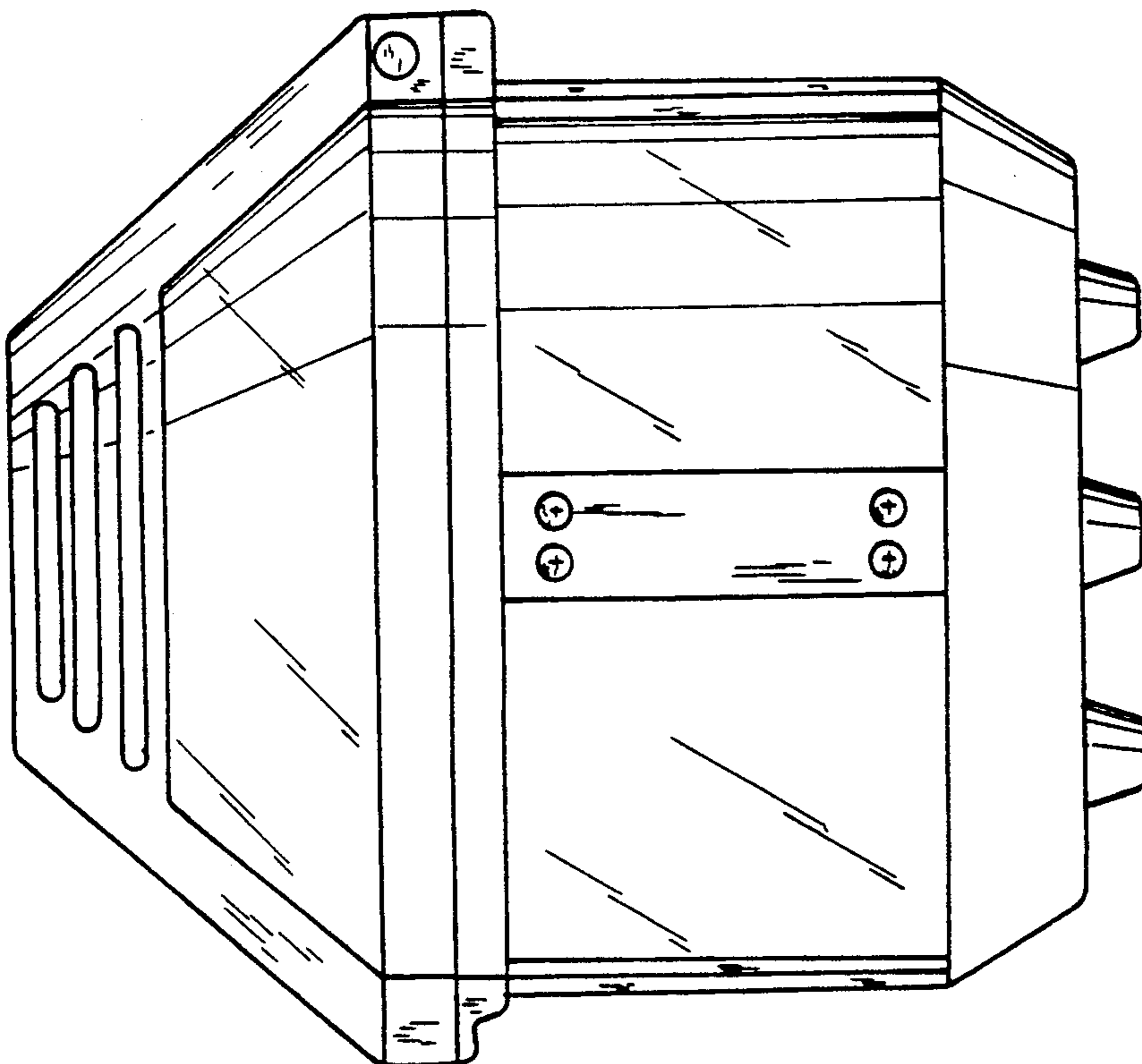


FIG. 5

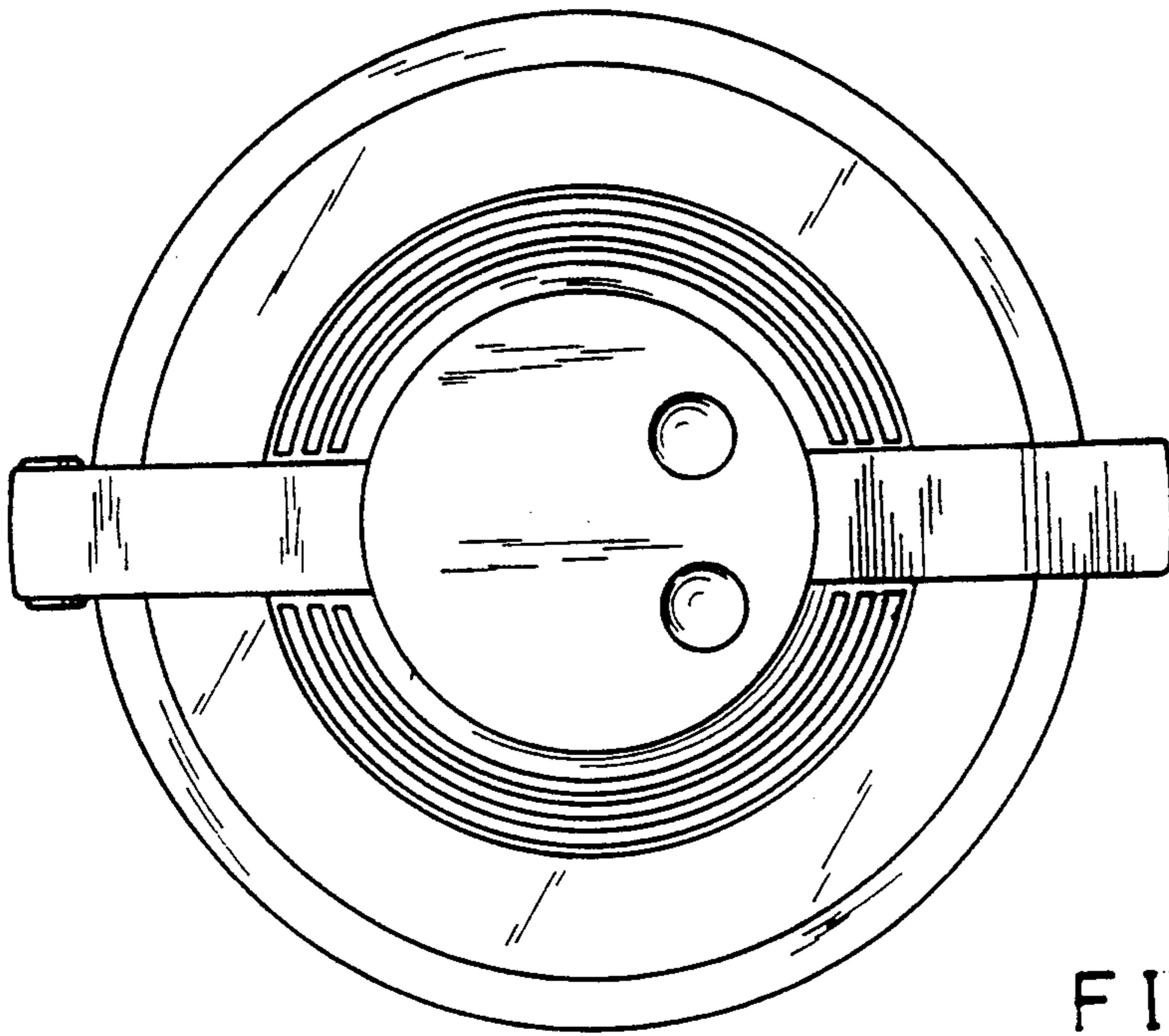


FIG. 6

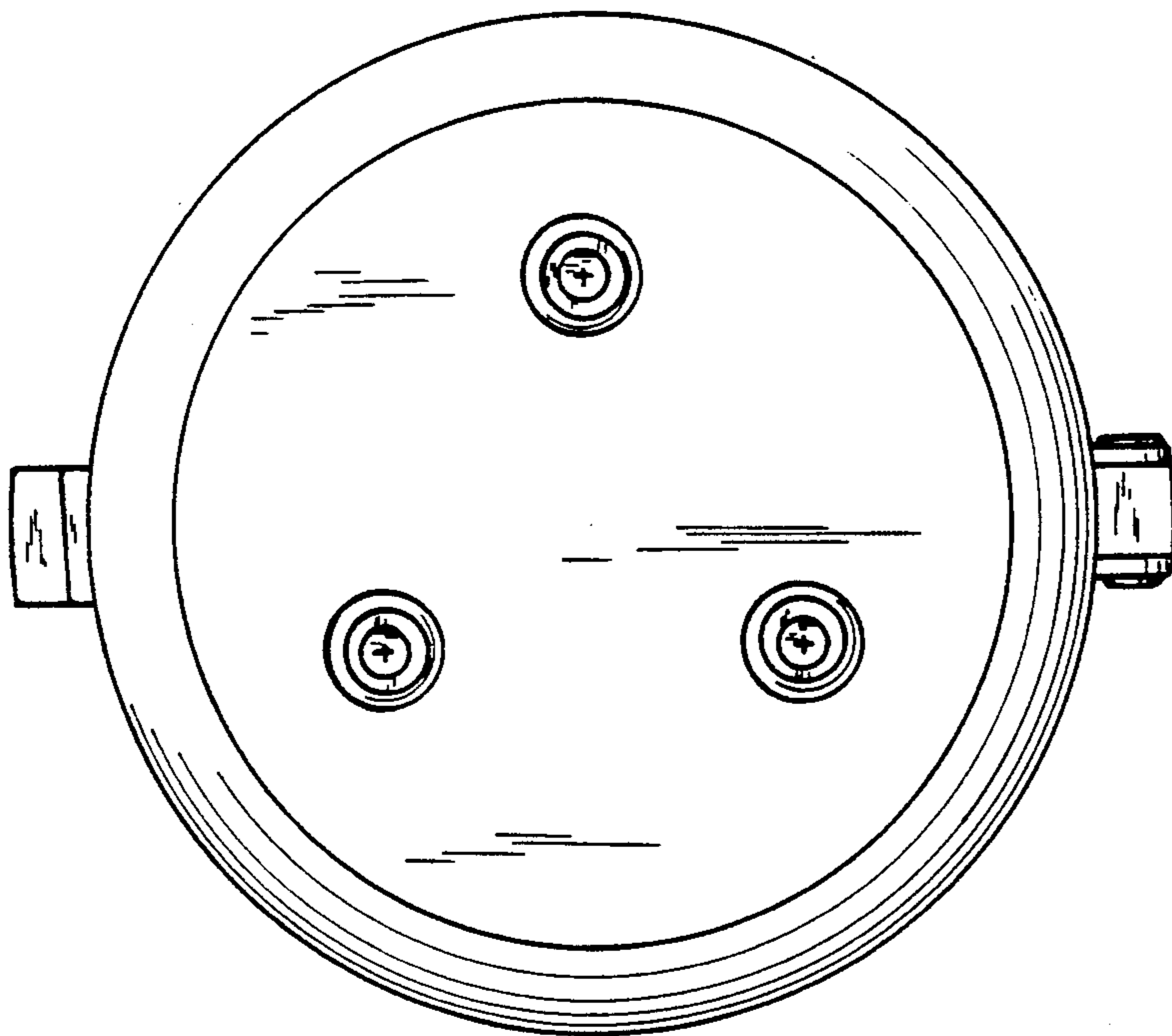


FIG. 7