



US00D334863S

United States Patent [19]

[11] Patent Number: **Des. 334,863**

Phillips et al.

[45] Date of Patent: **** Apr. 20, 1993**

[54] **AUTOMATIC BEVERAGE DISPENSER**

D. 326,385 5/1992 Miller et al. D7/311 X
4,590,975 5/1986 Credle D7/308 X
4,951,719 8/1990 Wiley et al. D7/308 X

[75] Inventors: **Paul A. Phillips**, Marietta, Ga.;
Laszlo L. Vazul, Chicago, Ill.; **Frank
Golley**, Decatur, Ga.; **Kristine L.
Krause**, Naperville, Ill.

Primary Examiner—Alan P. Douglas
Assistant Examiner—Caron D. Veynar
Attorney, Agent, or Firm—Lynne R. O'Brien; Thomas
R. Boston; W. Dexter Brooks

[73] Assignees: **The Coca-Cola Company**, Atlanta,
Ga.; **McDonald's Corporation**, Oak
Brook, Ill.

[57] CLAIM

[**] Term: **14 Years**

The ornamental design for an automatic beverage dispenser, as shown.

[21] Appl. No.: **595,947**

DESCRIPTION

[22] Filed: **Oct. 11, 1990**

[52] U.S. Cl. **D7/308; D7/311**

[58] Field of Search **D7/300, 305-313;
222/129, 129.1, 173**

FIG. 1 is an isometric view showing the front, right and upper portions of an automatic beverage dispenser showing our new design;

FIG. 2 is a front elevational view thereof;

FIG. 3 is a right side elevational view thereof;

FIG. 4 is a rear elevational view thereof;

FIG. 5 is a left side elevational view thereof;

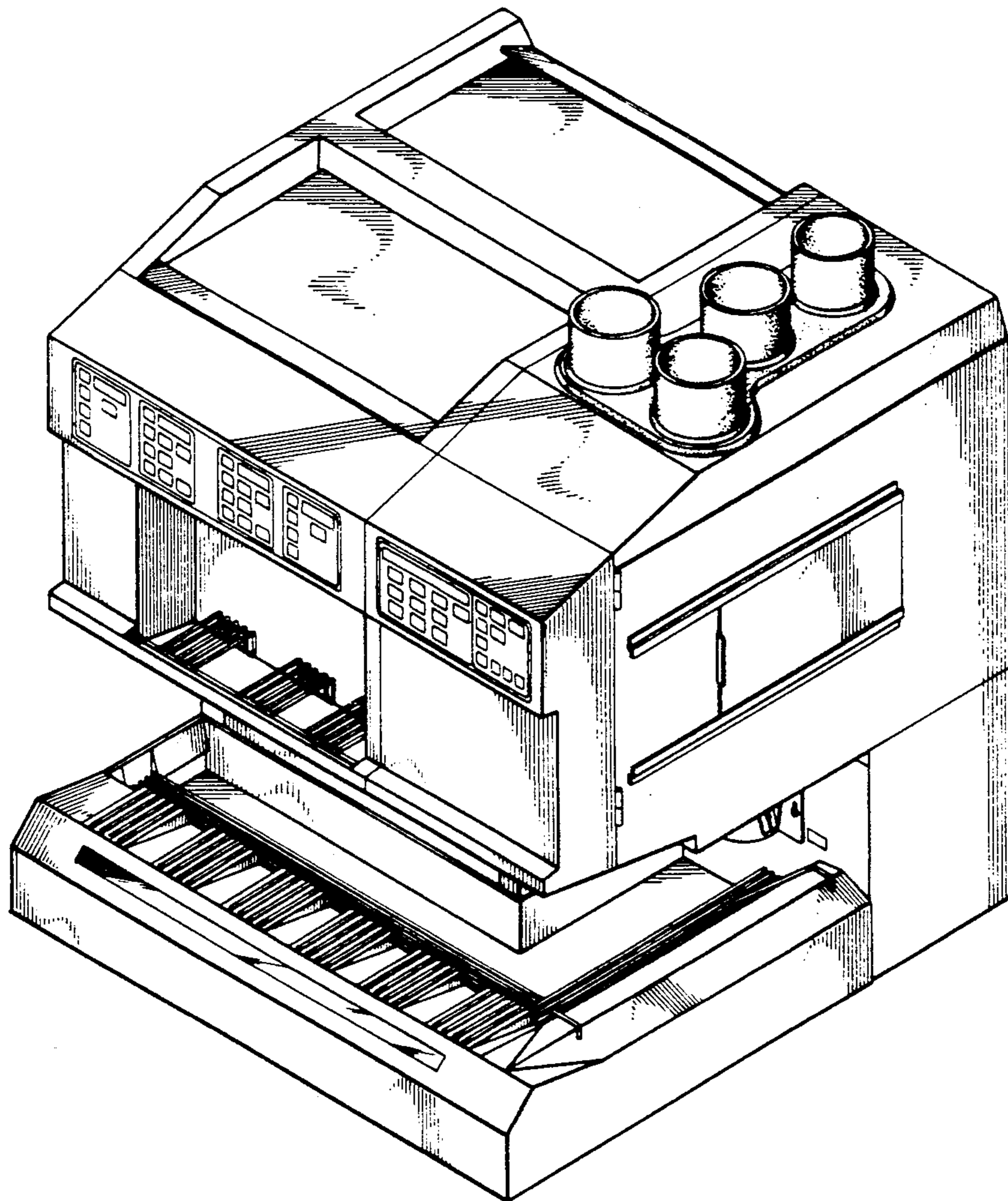
FIG. 6 is a top plan view thereof; and,

FIG. 7 is a bottom plan view thereof.

[56] References Cited

U.S. PATENT DOCUMENTS

D. 324,464 3/1992 Credle, Jr. et al. D7/311 X



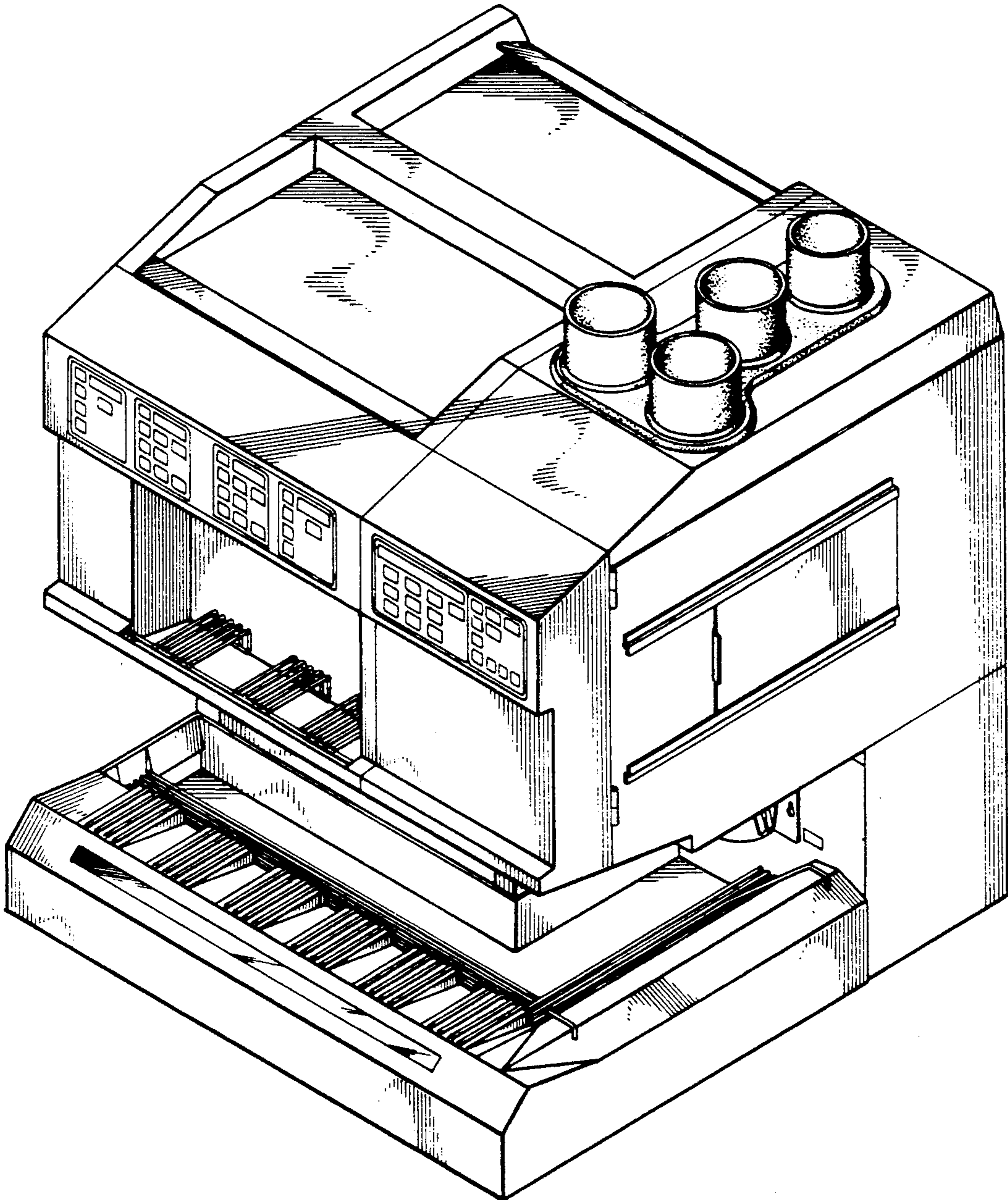


FIG 1

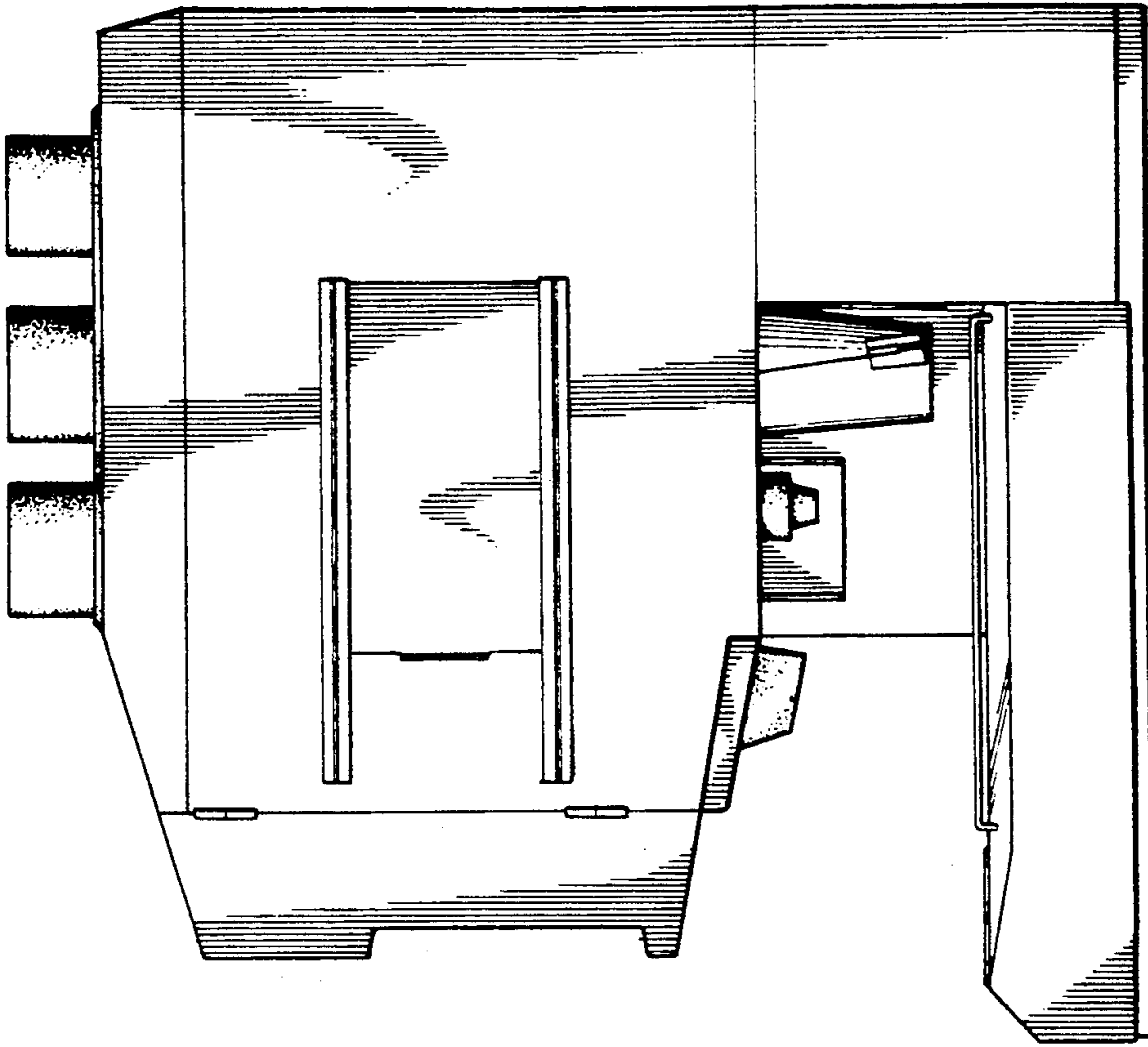


FIG 3

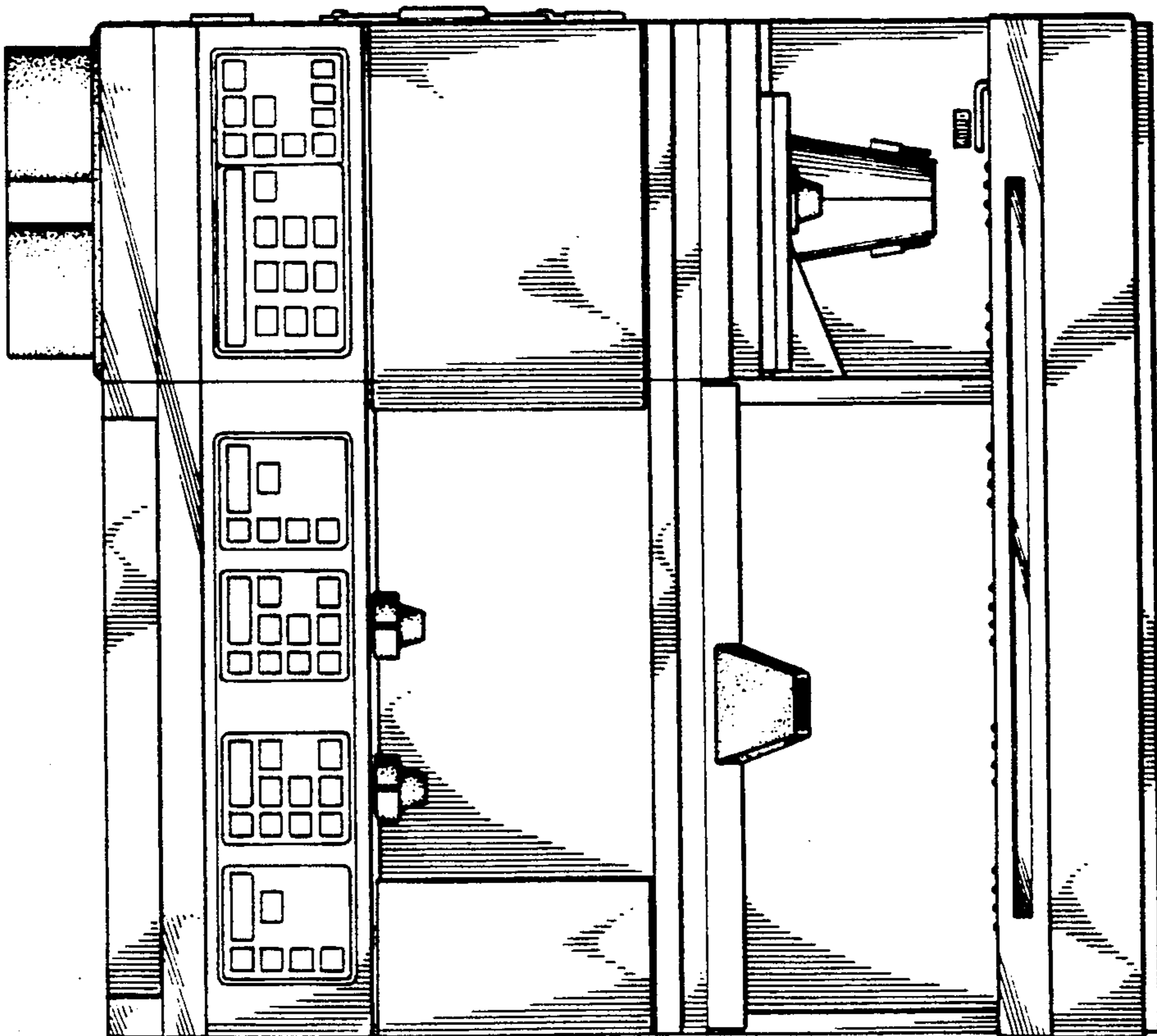


FIG 2

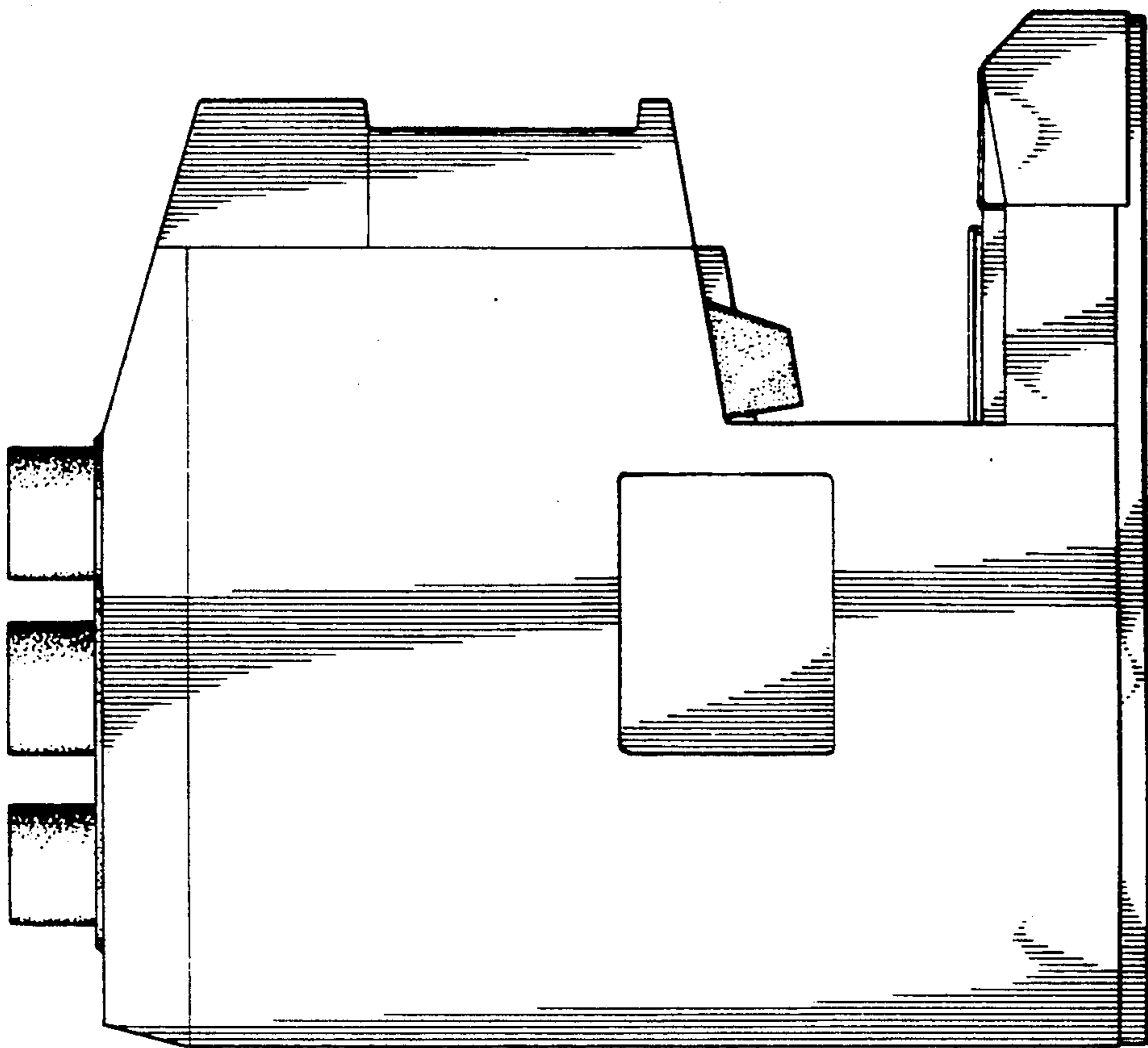


FIG 5

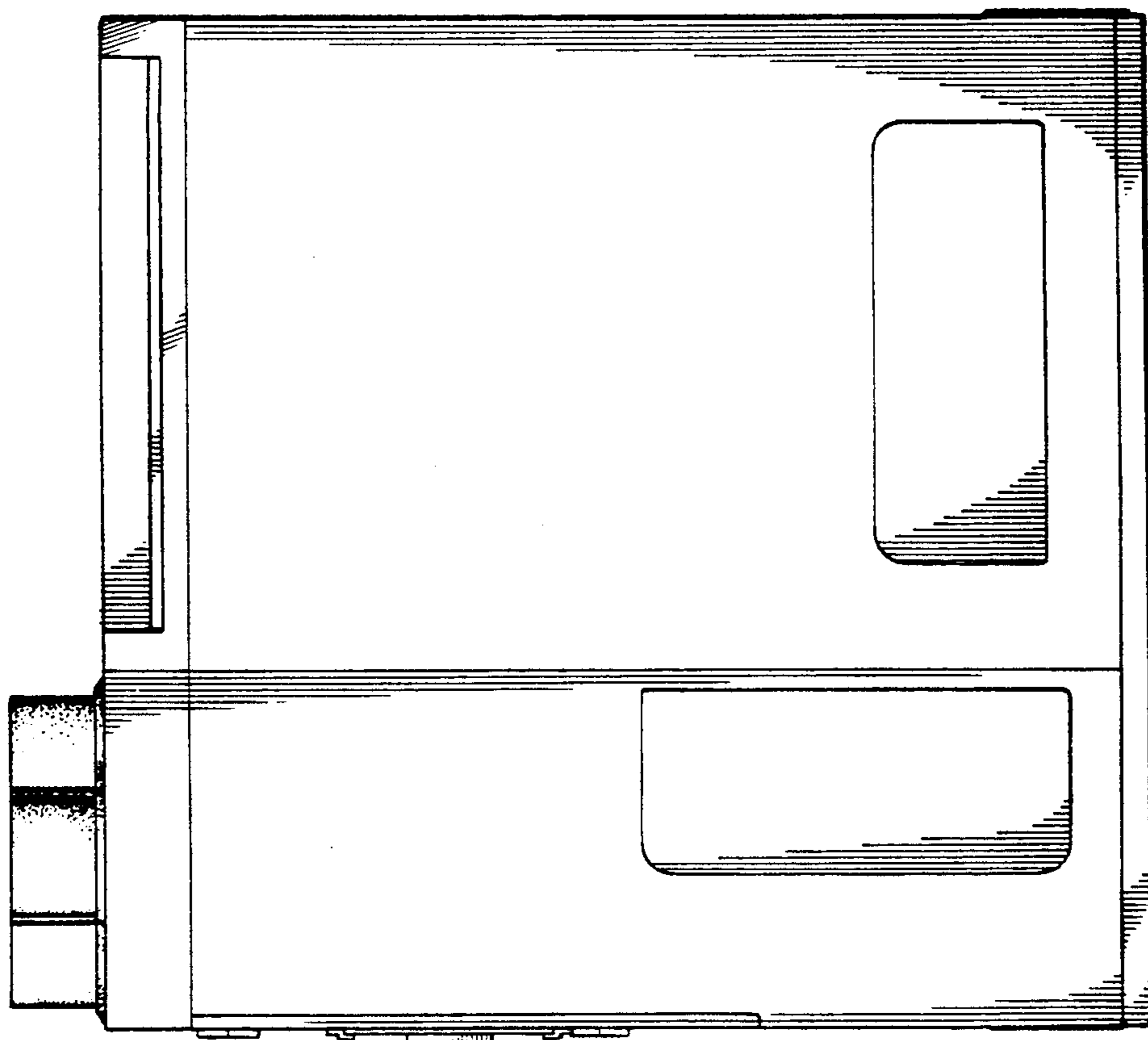


FIG 4

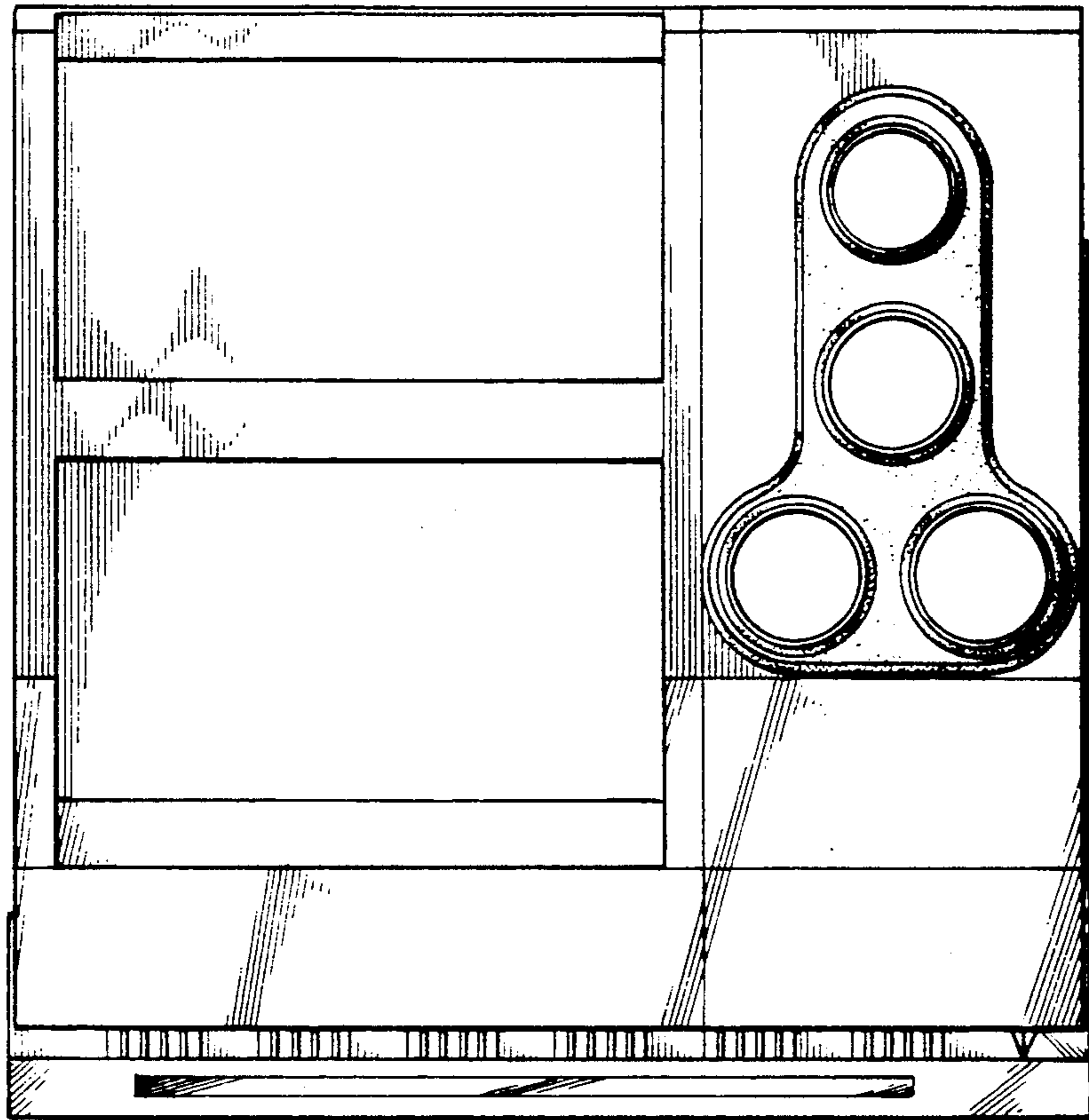


FIG 6

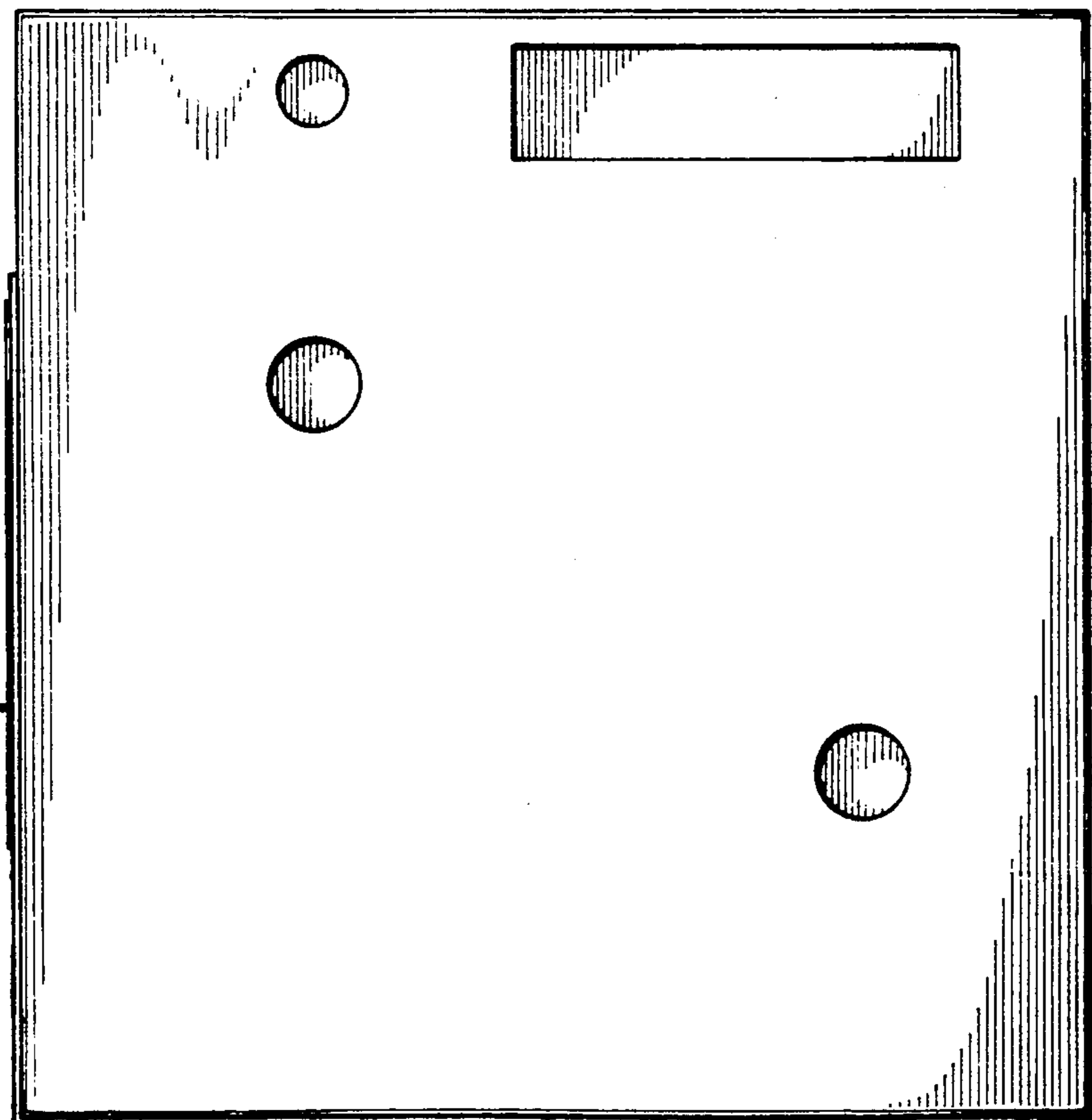


FIG 7