



US00D334860S

United States Patent [19]

[11] Patent Number: **Des. 334,860**

Brown et al.

[45] Date of Patent: **** Apr. 20, 1993**

[54] **SUTURE DISPENSER**

[75] Inventors: **David L. Brown, Wallingford;**
Stanley J. Malinowski, Guilford,
 both of Conn.

[73] Assignee: **United States Surgical Corporation,**
 Norwalk, Conn.

[**] Term: **14 Years**

[21] Appl. No.: **638,412**

[22] Filed: **Jan. 7, 1991**

[52] U.S. Cl. **D6/515; D9/419;**
D24/145; D28/64

[58] Field of Search **D9/337, 339, 417-419;**
D28/64; 206/63.3, 63.5, 389, 403-406, 380;
242/159, 137.1; D24/145; D6/515

3,648,949 3/1972 Berger et al. 242/159
 3,749,238 7/1973 Taylor 206/63.3
 3,815,843 6/1974 Fortune 242/96
 4,084,692 4/1978 Bilweis 206/403
 4,200,249 4/1980 Synsteliien et al. 242/137.1 X
 4,974,789 12/1990 Milburn 242/159

FOREIGN PATENT DOCUMENTS

662417 4/1963 Canada .
 0228965 7/1987 European Pat. Off. .
 2240712 3/1975 France .
 2283974 4/1976 France .
 2277565 6/1976 France .
 2308724 11/1976 France .
 2320253 3/1977 France .
 2324315 4/1977 France .
 2346483 10/1977 France .
 2358164 2/1978 France .
 2427415 12/1979 France .
 2460126 1/1981 France .
 2592024 6/1987 France .
 624072 8/1961 Italy .

[56] References Cited

U.S. PATENT DOCUMENTS

D. 261,566 10/1981 Olson D28/64
 D. 263,505 3/1982 Black D24/145
 D. 265,972 8/1982 Black D9/339
 D. 305,696 1/1990 Woodman D28/64
 D. 306,500 3/1990 Brahler D28/64
 D. 321,767 11/1991 Hemsley, Sr. D28/64
 2,376,151 5/1945 Karle 242/125
 2,376,152 5/1945 Karle 242/125
 2,623,175 12/1952 Finke 242/137.1 X
 2,893,548 7/1959 Carver, Jr. et al. 208/63.3
 2,938,624 5/1960 Runkel et al. 206/63.3
 3,095,159 6/1963 Stacy et al. 242/96
 3,112,825 12/1963 Hammond et al. 206/63.3
 3,185,299 5/1965 Trainer 206/63.3
 3,231,215 1/1966 Horine 242/146
 3,301,393 1/1967 Regan, Jr. et al. 206/56
 3,361,382 1/1968 Converse 242/137.1
 3,376,973 4/1968 Granowitz et al. 206/63.3
 3,481,690 12/1969 Edgworth 206/63.3
 3,495,703 2/1970 Calabrese 206/63.3
 3,545,608 12/1970 Berger et al. 206/63.3

Primary Examiner—Bernard Ansher
Assistant Examiner—C. Tuttle
Attorney, Agent, or Firm—Thomas R. Bremer; Peter G.
 Dilworth; Rocco S. Barrese

[57] CLAIM

The ornamental design for a suture dispenser, as shown and described.

DESCRIPTION

FIG. 1 is a perspective view of a suture dispenser showing my new design;
 FIG. 2 is a top plan view thereof;
 FIG. 3 is a right side elevational view thereof, the side opposite being a mirror image of the side shown;
 FIG. 4 is a front end elevational view thereof;
 FIG. 5 is a rear end elevational view thereof; and,
 FIG. 6 is a bottom plan view thereof.
 The suture element is shown partially broken away in the various views to indicate indeterminate length.

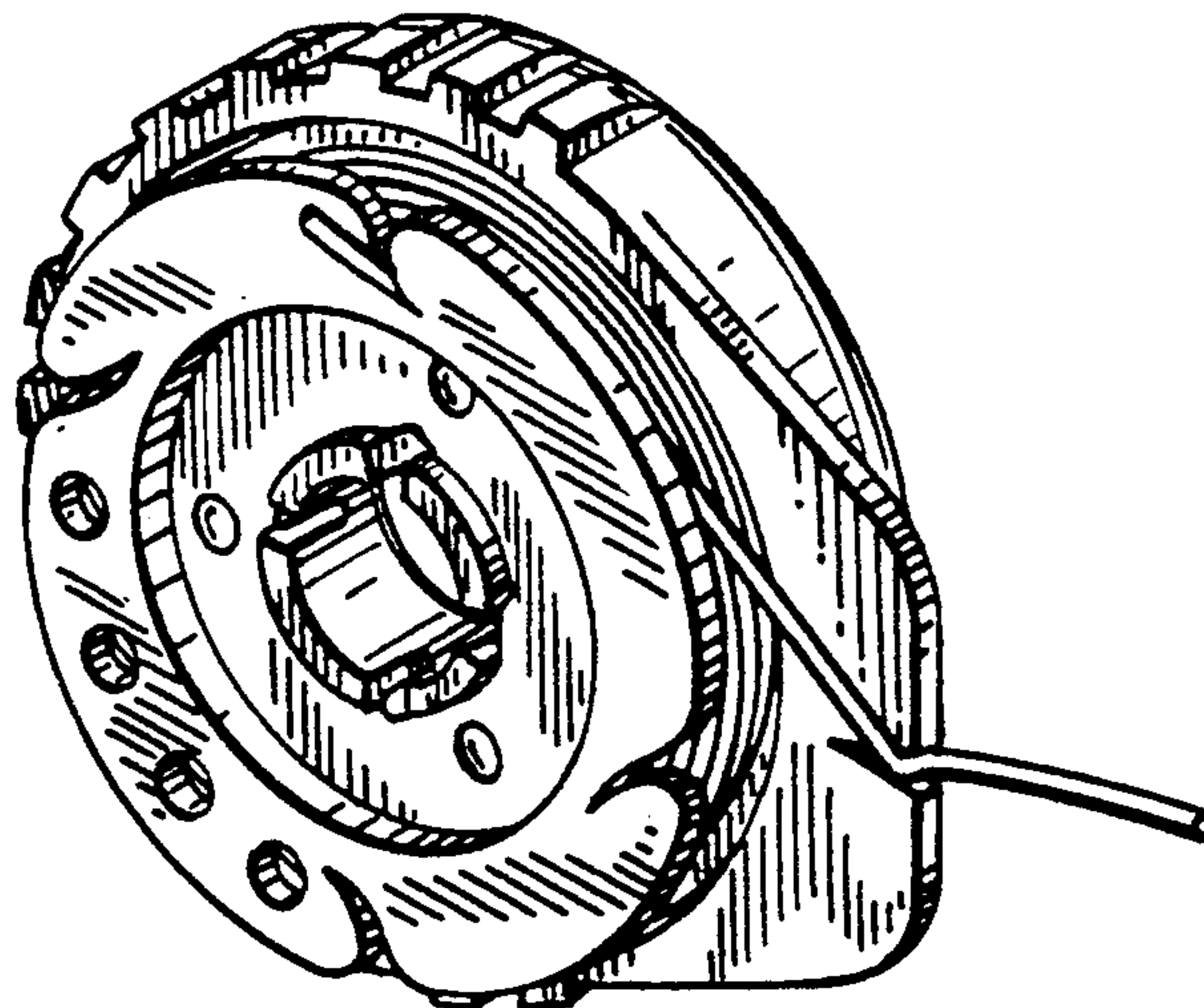


FIG. 1

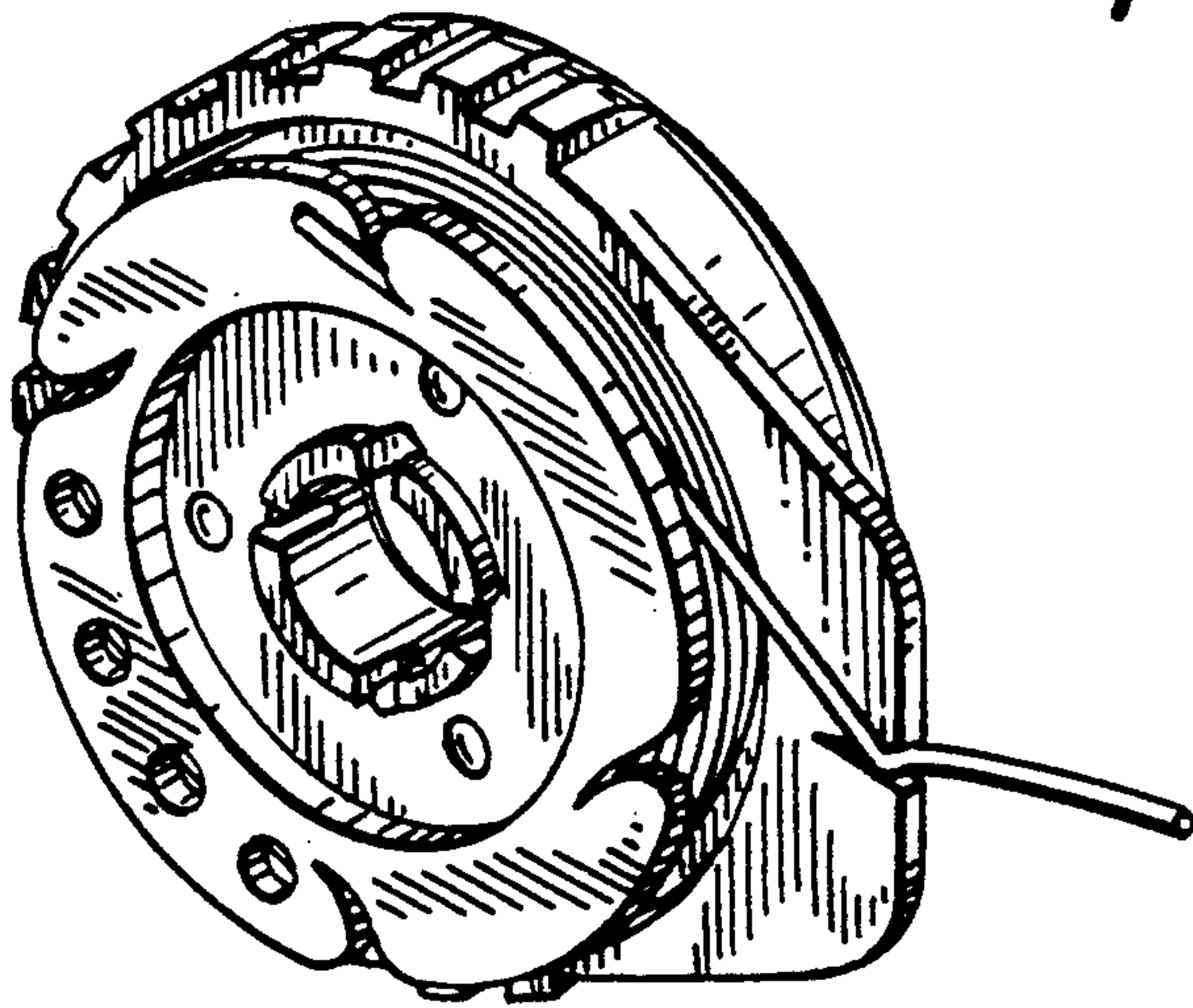


FIG. 2

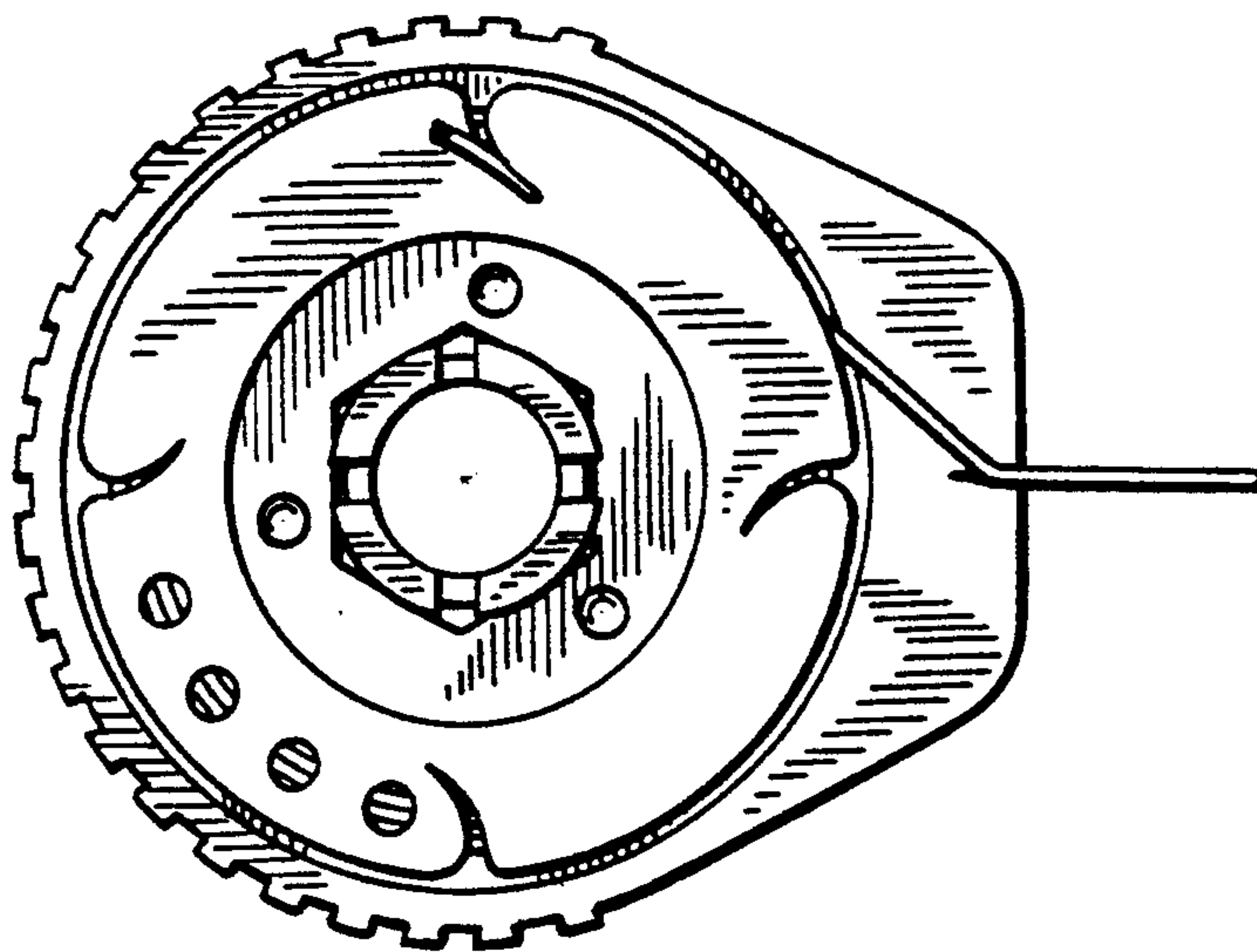


FIG. 3

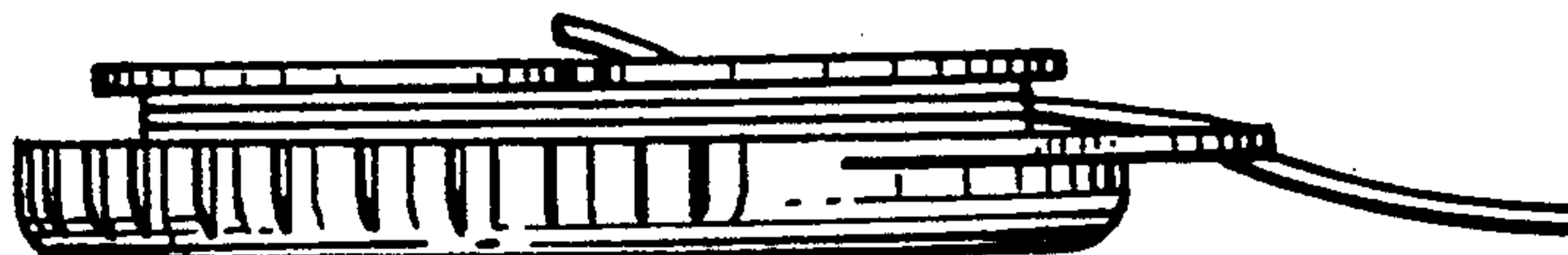


FIG. 4

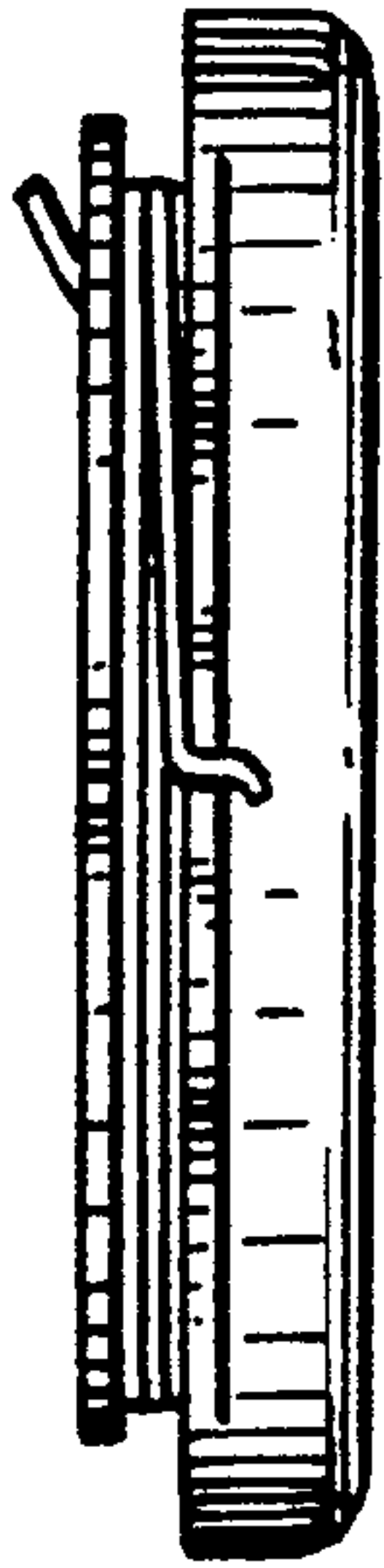


FIG. 5

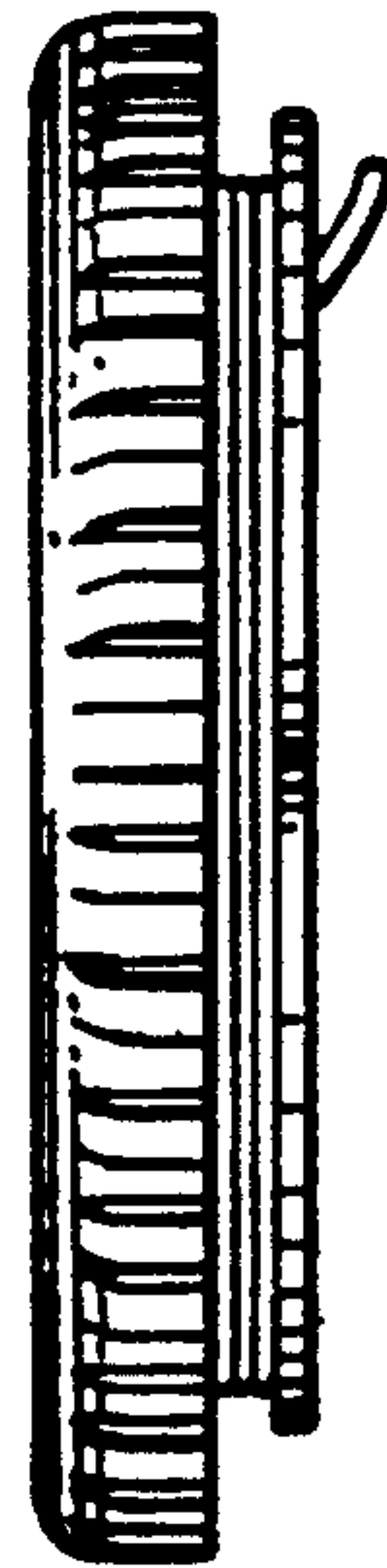


FIG. 6

