



US00D334859S

# United States Patent [19]

[11] Patent Number: **Des. 334,859**

**Homann**

[45] Date of Patent: **\*\* Apr. 20, 1993**

[54] **HEADER UNIT FOR MERCHANDISER**

[75] Inventor: **Ronald A. Homann, Overland, Mo.**

[73] Assignee: **Paul Flum Ideas, Inc., St. Louis, Mo.**

[\*\*] Term: **14 Years**

[21] Appl. No.: **699,244**

[22] Filed: **May 13, 1991**

[52] U.S. Cl. .... **D6/509; D6/491; D6/518**

[58] Field of Search ..... **D6/491-495, D6/509-511, 422, 449, 432, 478, 479, 518; 108/92, 139; 211/59.4, 144, 183; D9/432**

[56] **References Cited**

**U.S. PATENT DOCUMENTS**

D. 195,096	4/1963	Broeren	.....	D6/518
D. 261,234	10/1981	Abraham	.....	D9/432
D. 292,355	10/1987	Headon	.....	D6/479
D. 293,651	1/1988	Robertson	.....	D6/478
D. 294,090	2/1988	Robertson	.....	D6/478
D. 296,283	6/1988	Hardy	.....	D6/474
D. 296,852	7/1988	Buchweitz, Jr. et al.	.....	D6/449
D. 299,392	1/1989	Hunt	.....	D6/479
D. 299,392	1/1989	Hunt	.....	D6/479
D. 321,296	1/1991	Miranda	.....	D6/461

4,526,110	7/1985	Franz	.....	108/108
4,688,684	8/1987	Young et al.	.....	211/59.4
4,785,946	11/1988	Sorensen	.....	211/187
4,981,226	1/1991	Shallenberg et al.	.....	211/189

*Primary Examiner*—Nelson C. Holtje  
*Assistant Examiner*—J. E. Seeger  
*Attorney, Agent, or Firm*—Haverstock, Garrett & Roberts

[57] **CLAIM**

The ornamental design for a header unit for merchandiser, as shown and described.

**DESCRIPTION**

FIG. 1 is a perspective view of a header unit for merchandiser, showing my new design, the broken lines are for environmental purposes only and for no part of the claimed design;

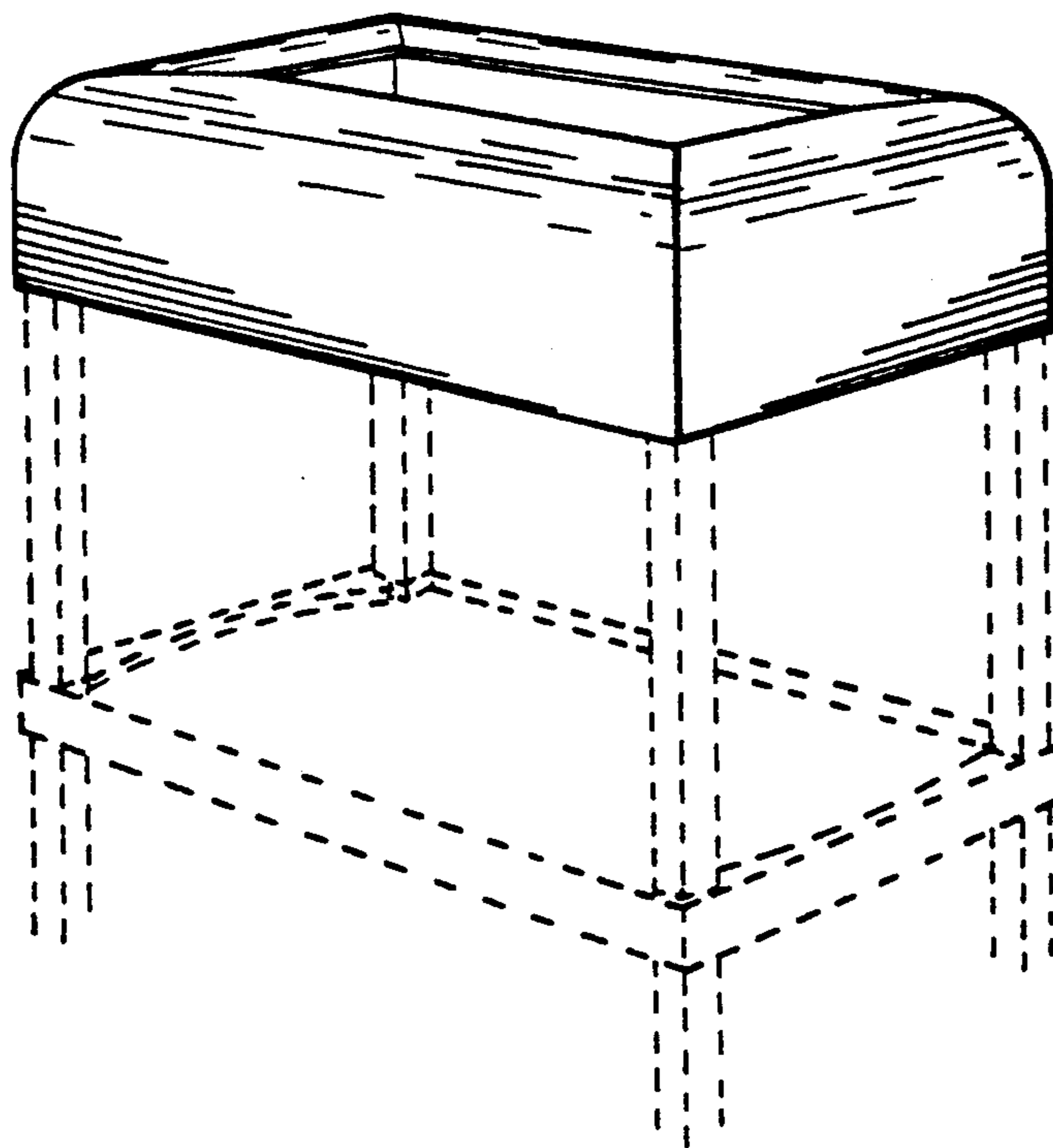
FIG. 2 is a top plan view thereof;

FIG. 3 is a bottom plan view thereof;

FIG. 4 is a front elevational view thereof; and,

FIG. 5 is a right side elevational view thereof.

The rear elevational view and the left side elevational view of the subject header unit not shown in the drawings are mirror images of the front elevational view shown in FIG. 4 and the right side elevational view shown in FIG. 5, respectively.



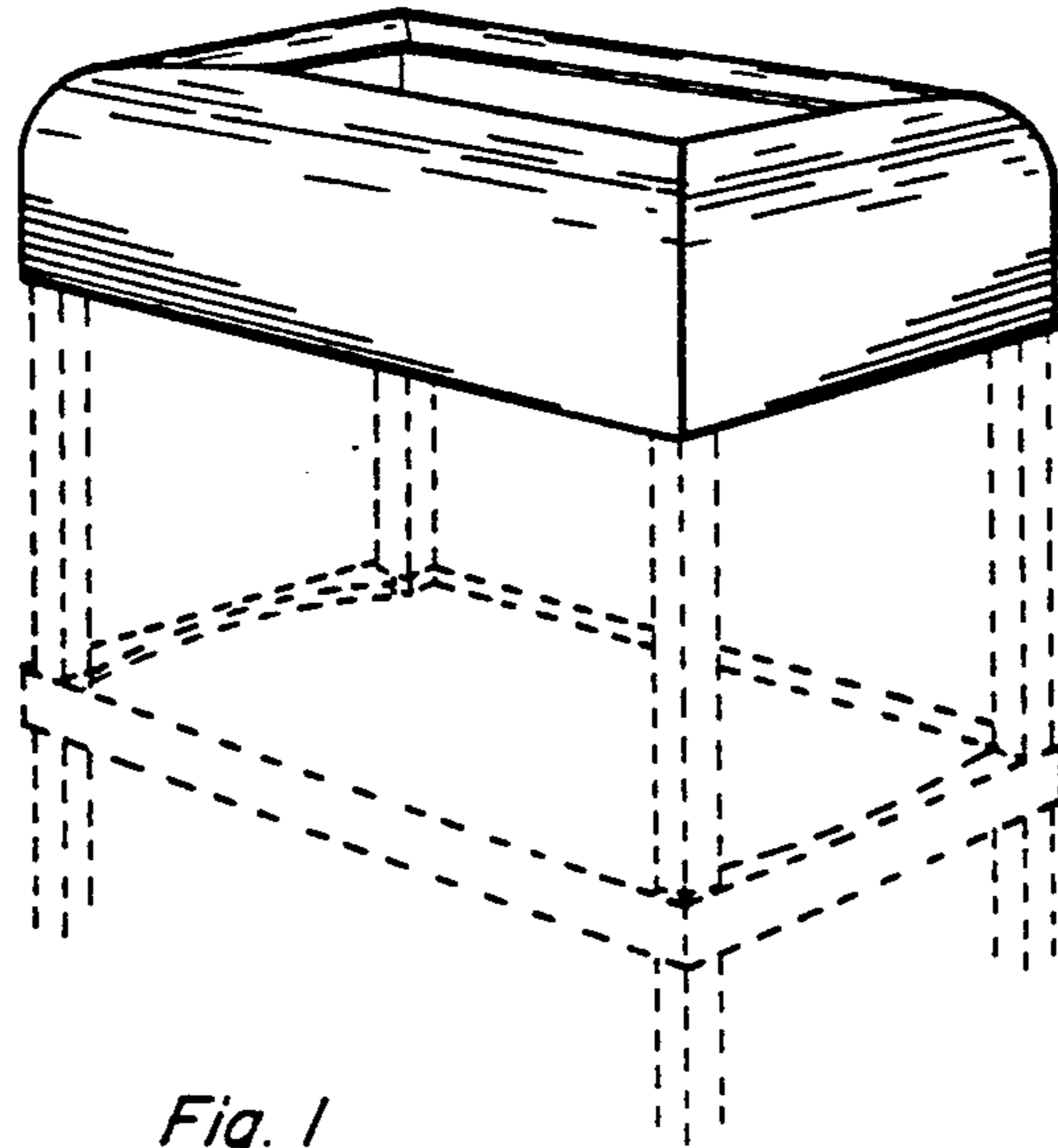


Fig. 1

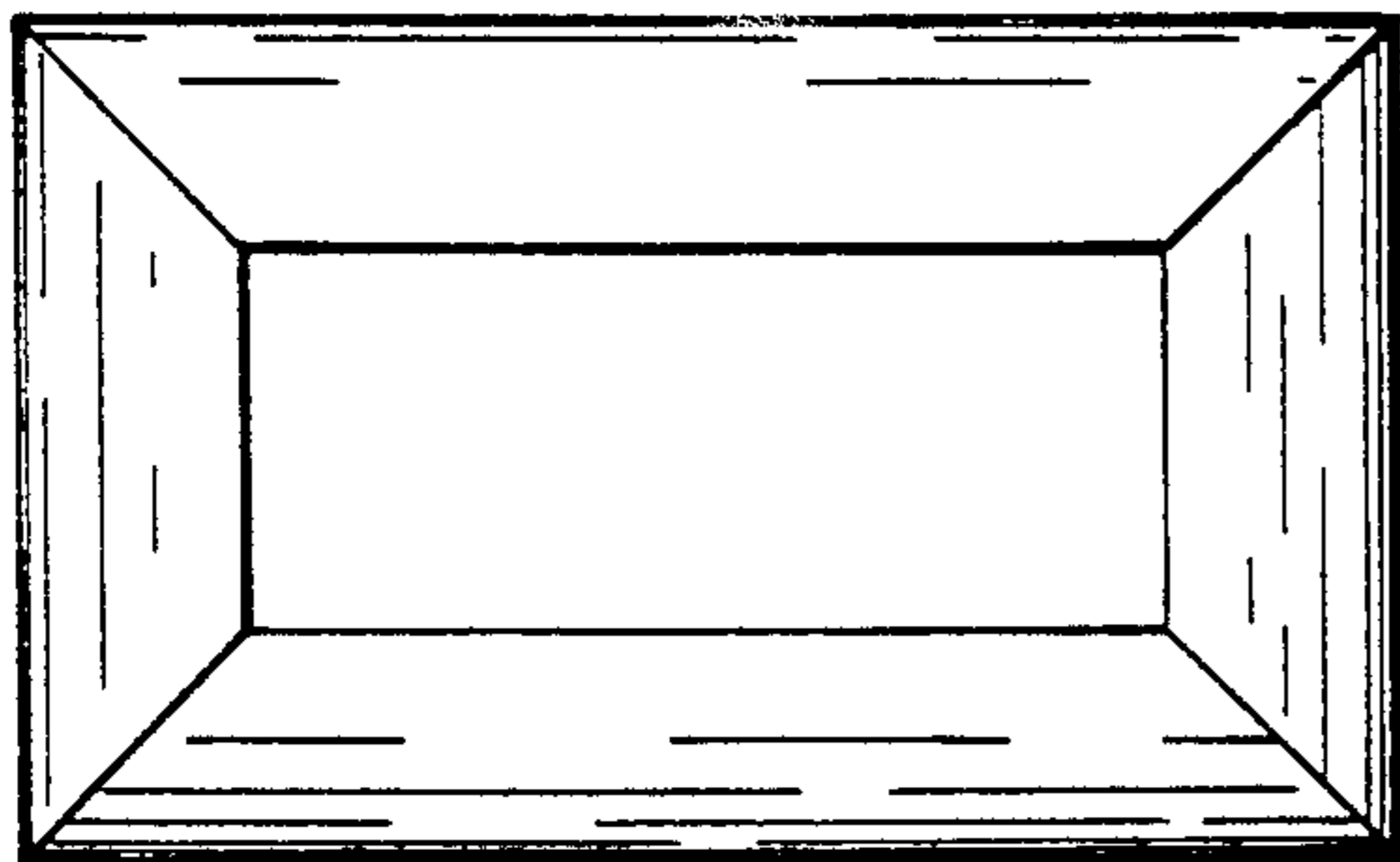


Fig. 2

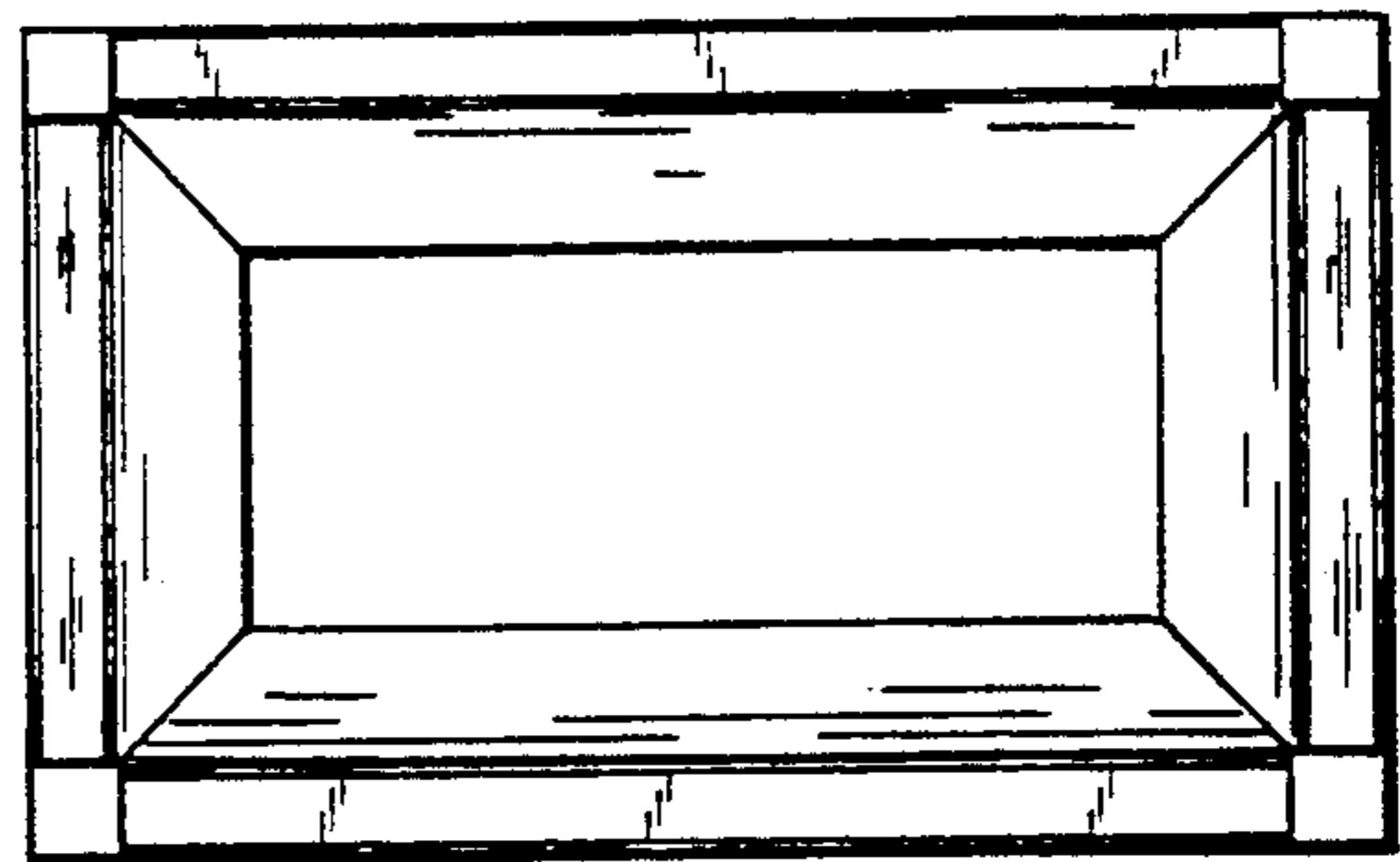


Fig. 3

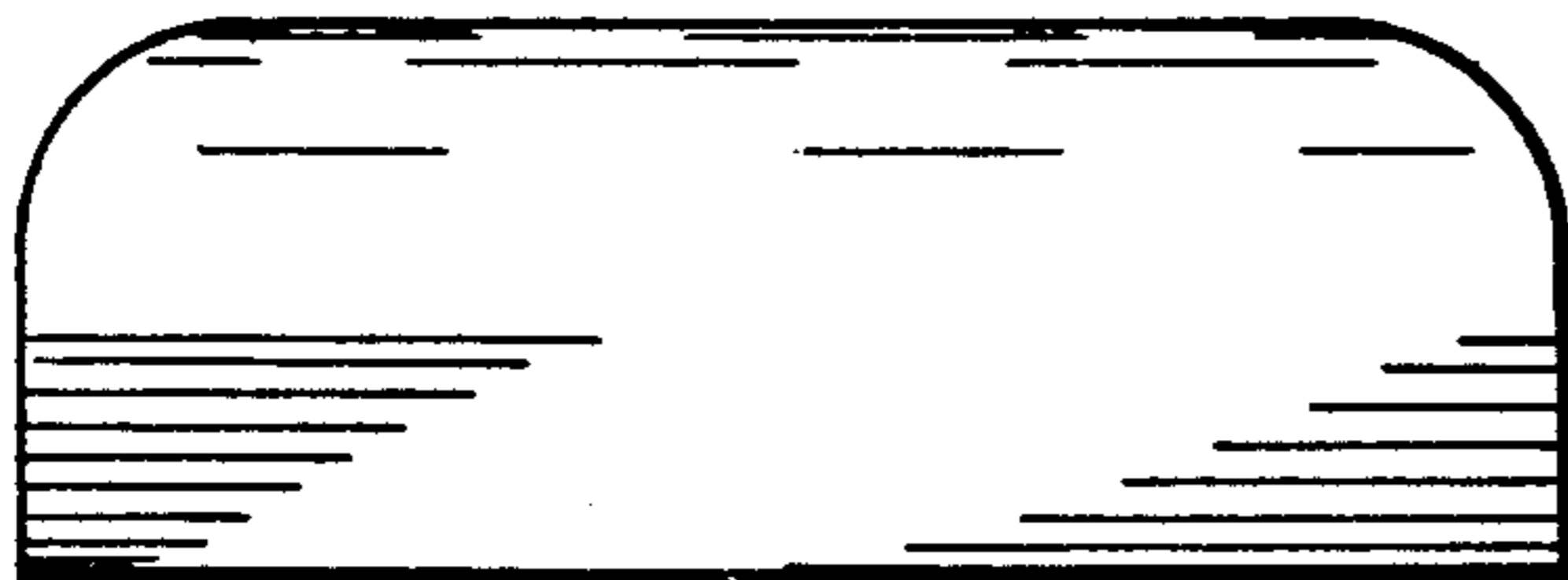


Fig. 4

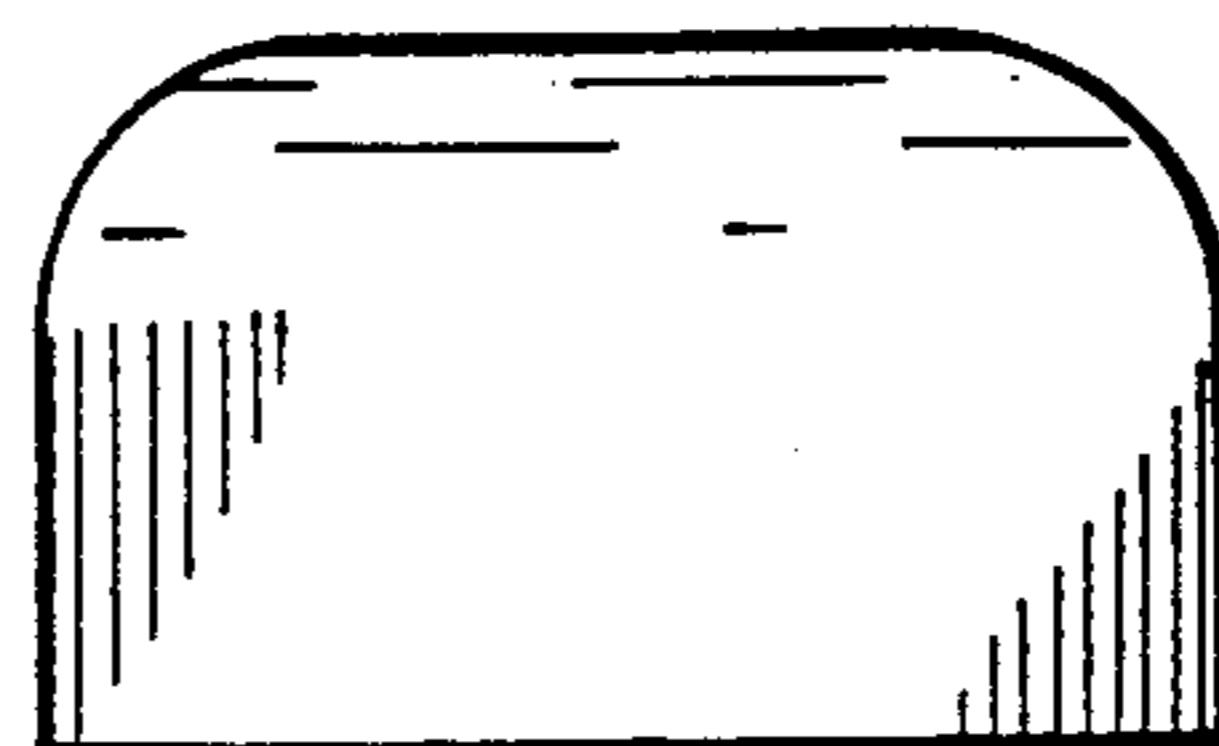


Fig. 5

UNITED STATES PATENT AND TRADEMARK OFFICE  
**CERTIFICATE OF CORRECTION**

PATENT NO. : Des. 334,859  
DATED : April 20, 1993  
INVENTOR(S) : ronald A. Homann

It is certified that error appears in the above-identified patent and that said Letters Patent is hereby corrected as shown below:

On the Title page, col. 2, under Description, line 3, the second occurrence of the word "for" should be --form--.

Signed and Sealed this  
Thirtieth Day of November, 1993

*Attest:*



BRUCE LEHMAN

*Attesting Officer*

*Commissioner of Patents and Trademarks*