



US00D334855S

United States Patent [19]

[11] Patent Number: Des. 334,855

Harrington et al.

[45] Date of Patent: ** Apr. 20, 1993

[54] EARRING TREE

750,803	2/1904	Burnside	D6/458 X
1,089,290	3/1914	Thompson	211/205 X
1,697,866	1/1929	Hansen	211/163 X
3,204,779	9/1965	Warner	D6/411 X

[76] Inventors: **Kim Harrington; Donald Harrington,**
both of P.O. Box 722, Waldoboro,
Me. 04572

[**] Term: **14 Years**

[21] Appl. No.: **751,686**

[22] Filed: **Aug. 29, 1991**

[52] U.S. Cl. **D6/458; D6/415;**
D6/457

[58] Field of Search **D6/449, 396, 455, 457-461,**
D6/410, 411, 415, 469, 429-431; 211/205, 163,
13; D3/75; 206/566, 495

[56] **References Cited**

U.S. PATENT DOCUMENTS

D. 128,958	8/1941	Dreyfuss	D6/449 X
D. 239,481	4/1976	Beatty	D6/431 X

OTHER PUBLICATIONS

Elbe Creations in Metal Inc., p. B-27.

Primary Examiner—Alan P. Douglas

Assistant Examiner—Jeffrey Asch

Attorney, Agent, or Firm—Lorraine M. Donaldson

[57] CLAIM

The ornamental design for an earring tree, as shown.

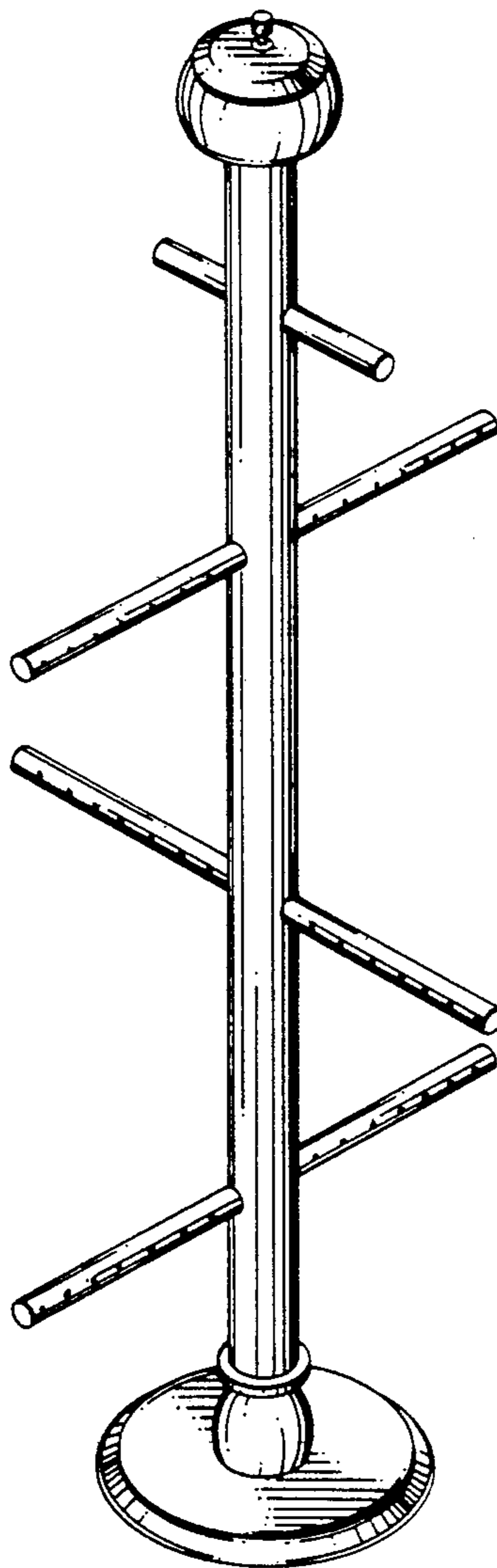
DESCRIPTION

FIG. 1 is a perspective view of the earring tree of the present invention;

FIG. 2 is a top view the earring tree of FIG. 1;

FIG. 3 is a side view of FIG. 1; and,

FIG. 4 is a bottom view of FIG. 1.



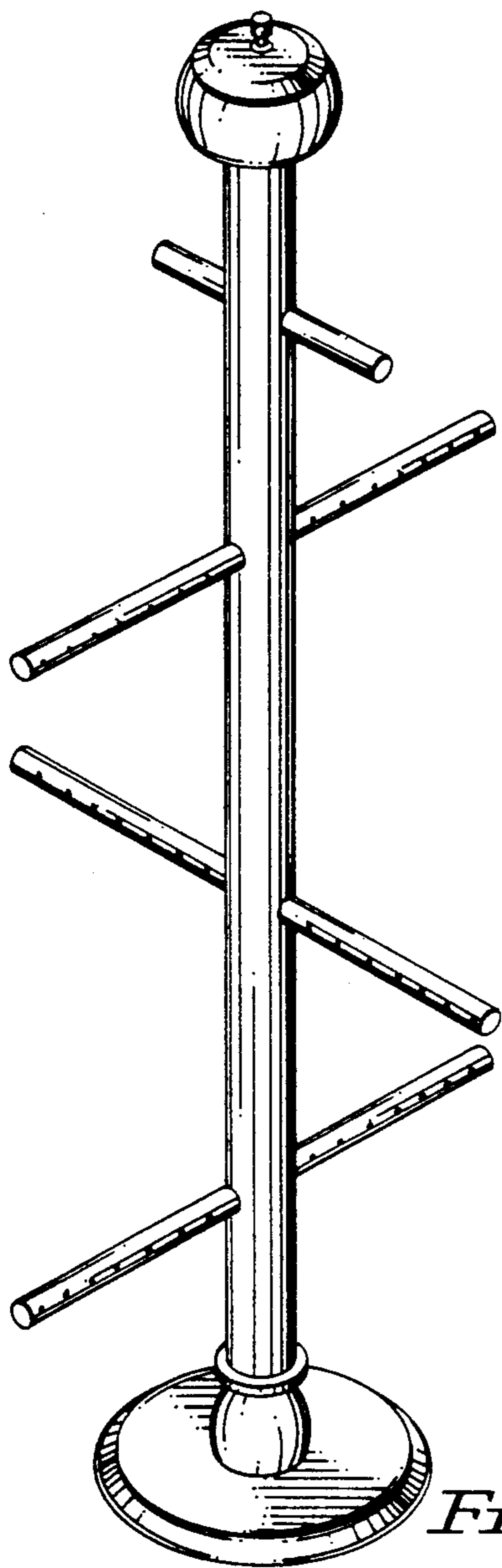


FIG. 1

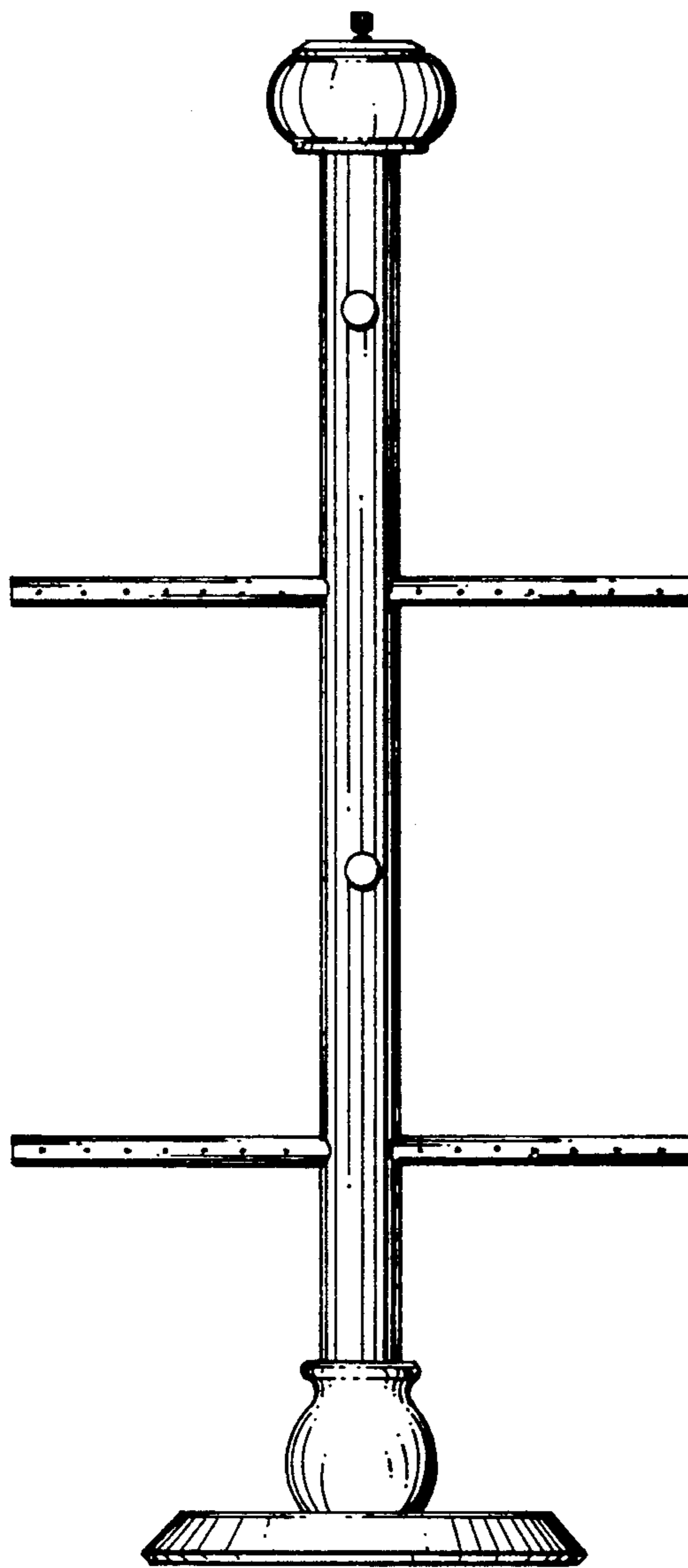


FIG. 3

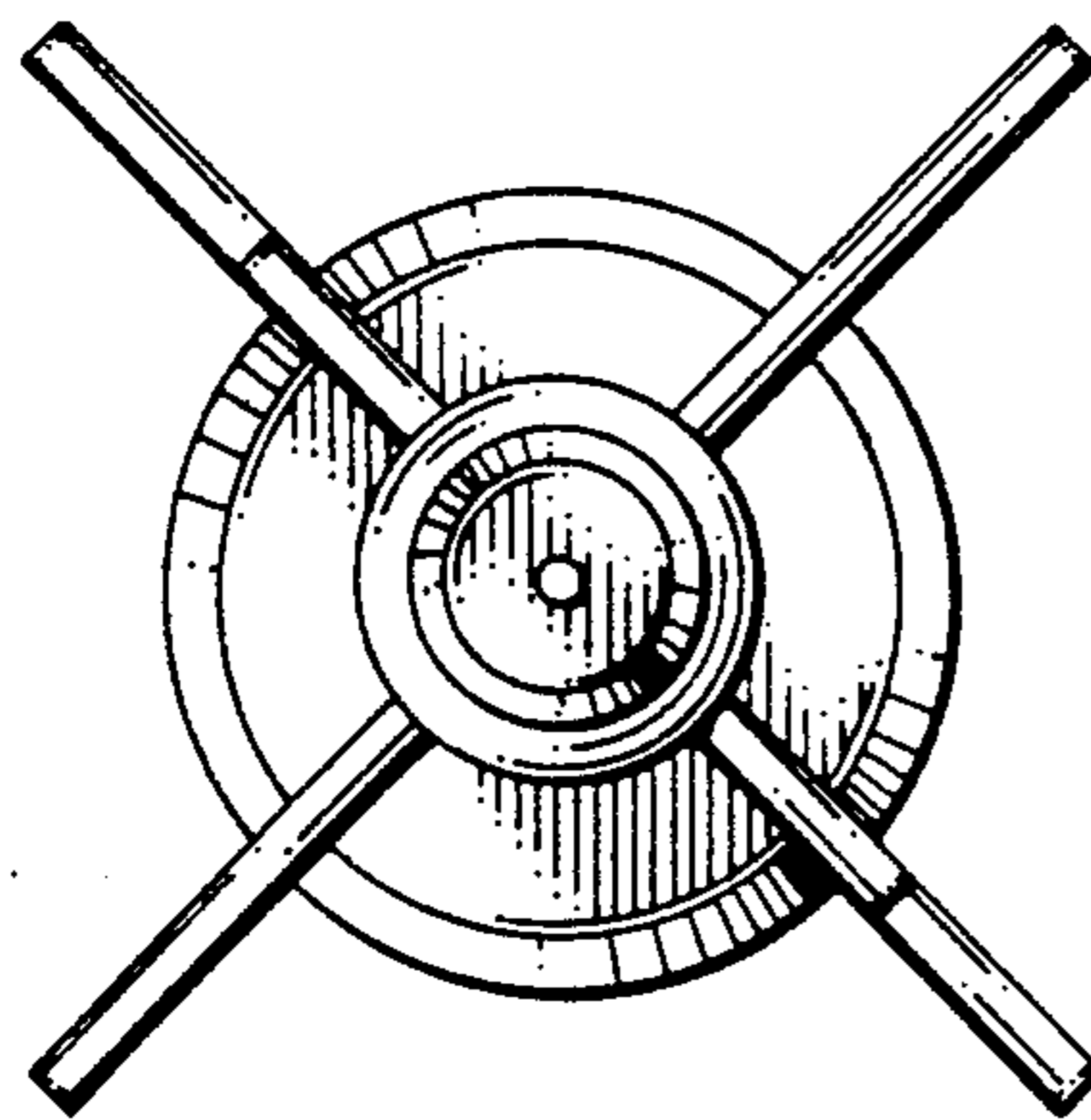


FIG. 2

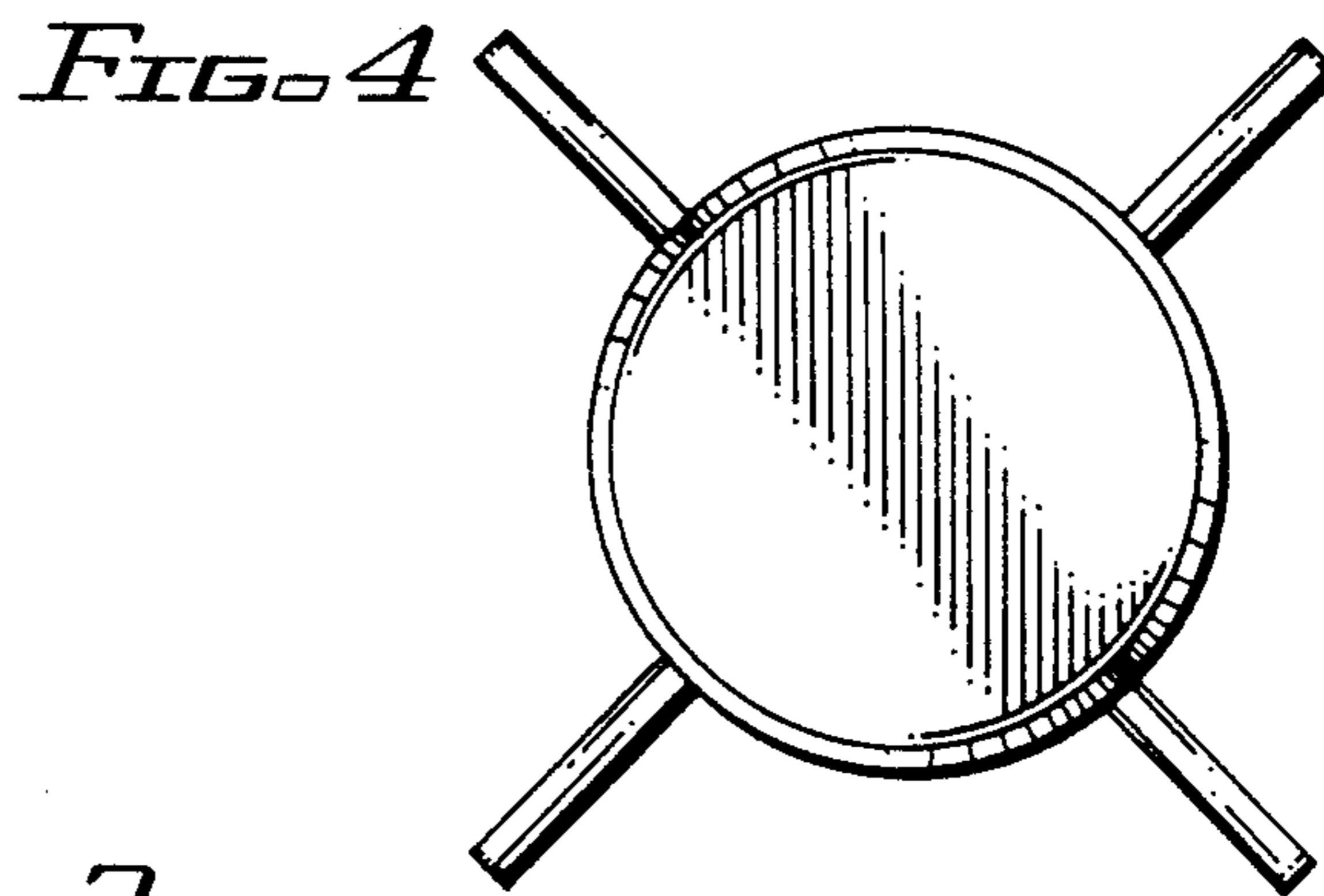


FIG. 4