



US00D334854S

United States Patent [19] Pestone

[11] Patent Number: **Des. 334,854**
[45] Date of Patent: **** Apr. 20, 1993**

[54] **NEWSPAPER RACK**
[75] Inventor: **William J. Pestone, Cohasset, Mass.**
[73] Assignee: **Crawford Products, Inc., West Hanover, Mass.**
[**] Term: **14 Years**
[21] Appl. No.: **651,485**
[22] Filed: **Feb. 6, 1991**
[52] U.S. Cl. **D6/458; D6/462; D6/475**
[58] Field of Search **D6/449, 455, 457-461, D6/462-465, 466-468, 475, 476; 211/50, 13, 49.1; 248/97; 100/34, 1**

3,897,724 8/1975 McDonald 211/50 X
4,298,126 11/1981 Filipowicz 100/34 X
4,395,941 8/1983 Metzger 100/34
4,926,748 5/1990 Smith et al. 100/34
5,033,628 7/1991 Scholes 211/50

Primary Examiner—Alan P. Douglas
Assistant Examiner—Teffrey Asch
Attorney, Agent, or Firm—Samuels, Gauthier & Stevens

[57] CLAIM

The ornamental design for newspaper rack, as shown and described.

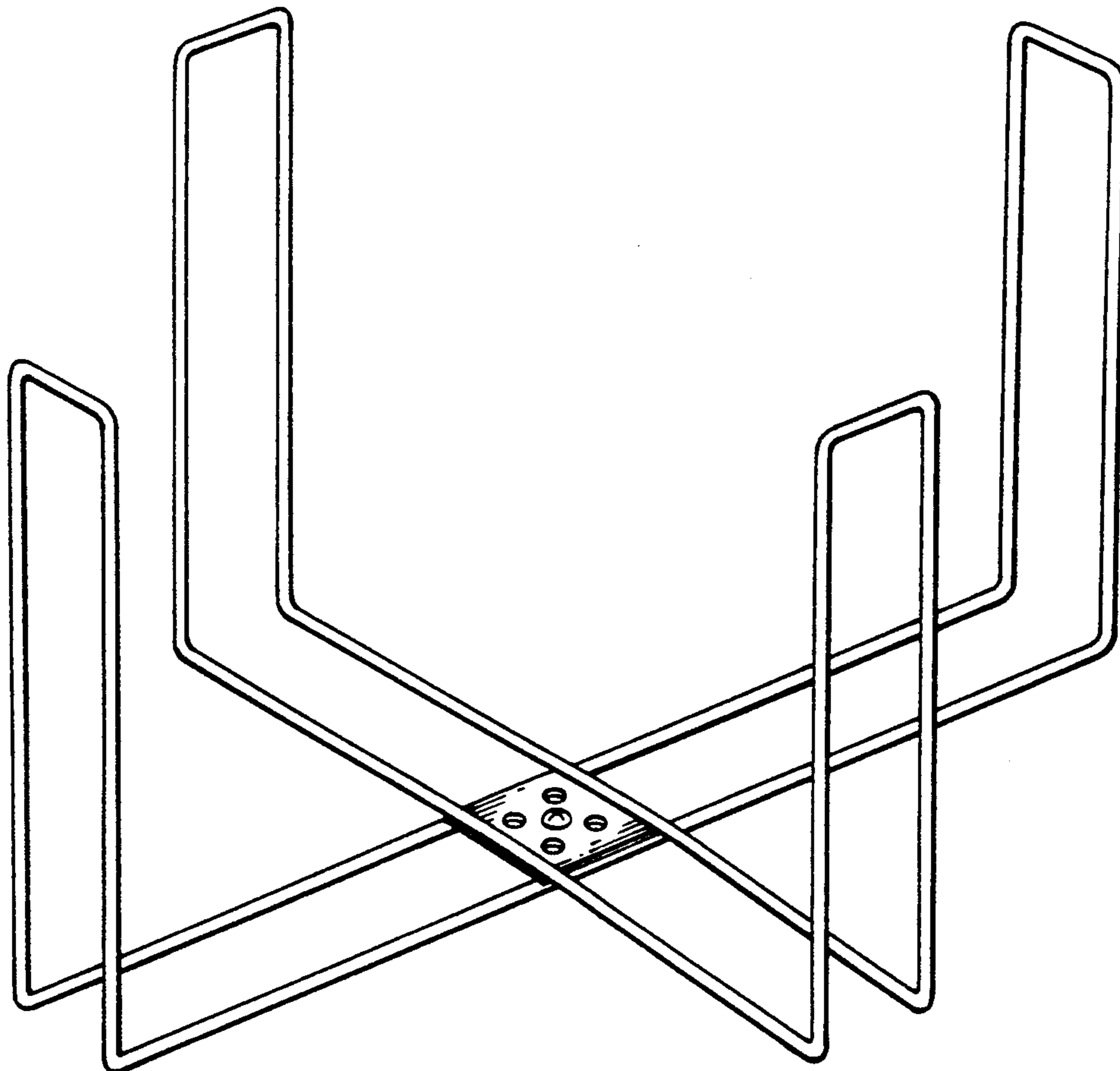
DESCRIPTION

FIG. 1 is a perspective view of a newspaper rack showing my new design;
FIG. 2 is a bottom plan view;
FIG. 3 is a top plan view;
FIG. 4 is a right side elevational view, the left side being a mirror image thereof; and,
FIG. 5 is a front elevational view, the rear being a mirror image thereof.

[56] References Cited

U.S. PATENT DOCUMENTS

D. 238,543 1/1976 Lechner D6/449 X
D. 247,207 2/1978 Moynihan D6/462
D. 284,916 8/1986 Marks D6/462
D. 314,097 1/1991 Buist D6/462 X



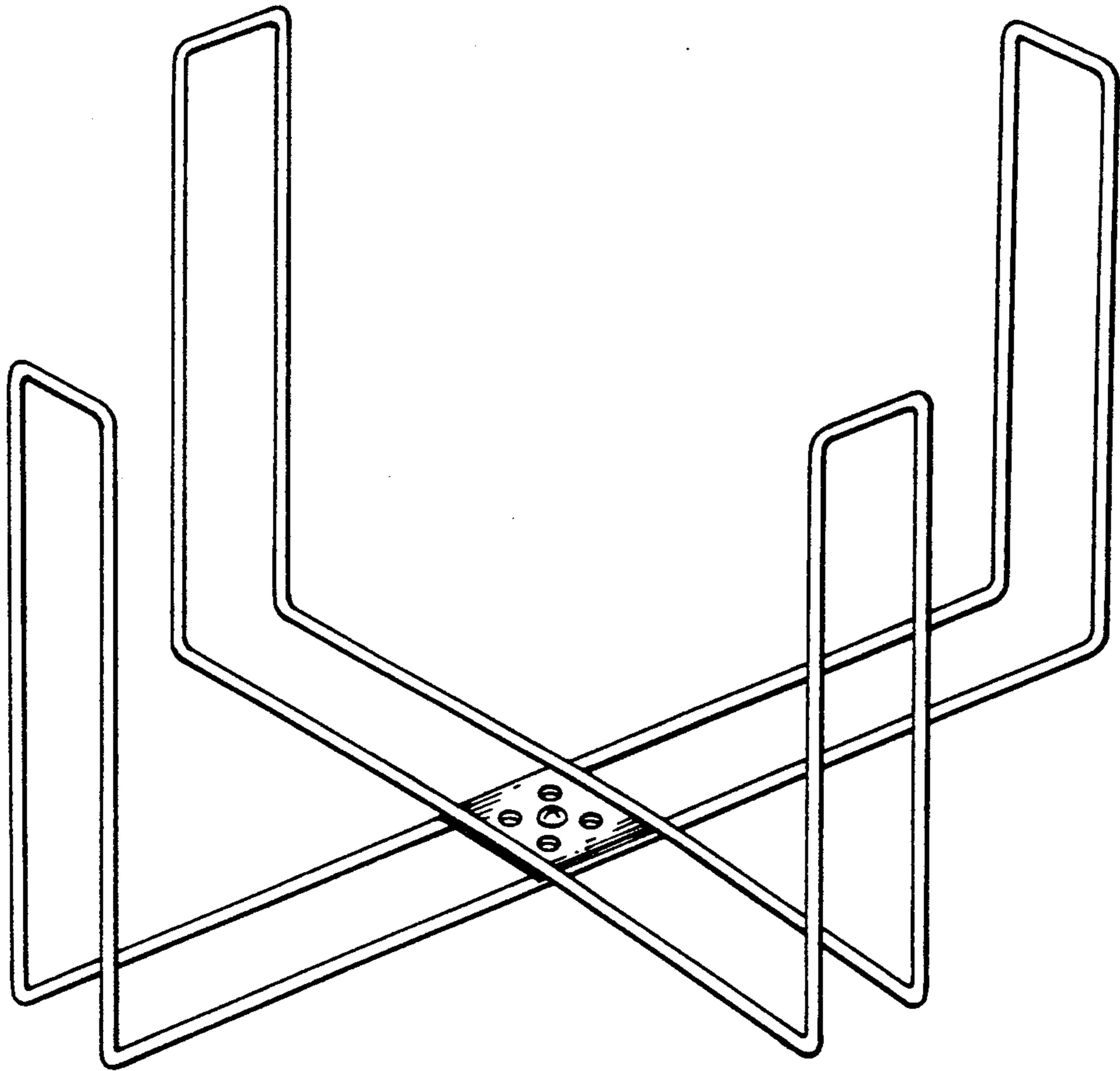


FIG. 1

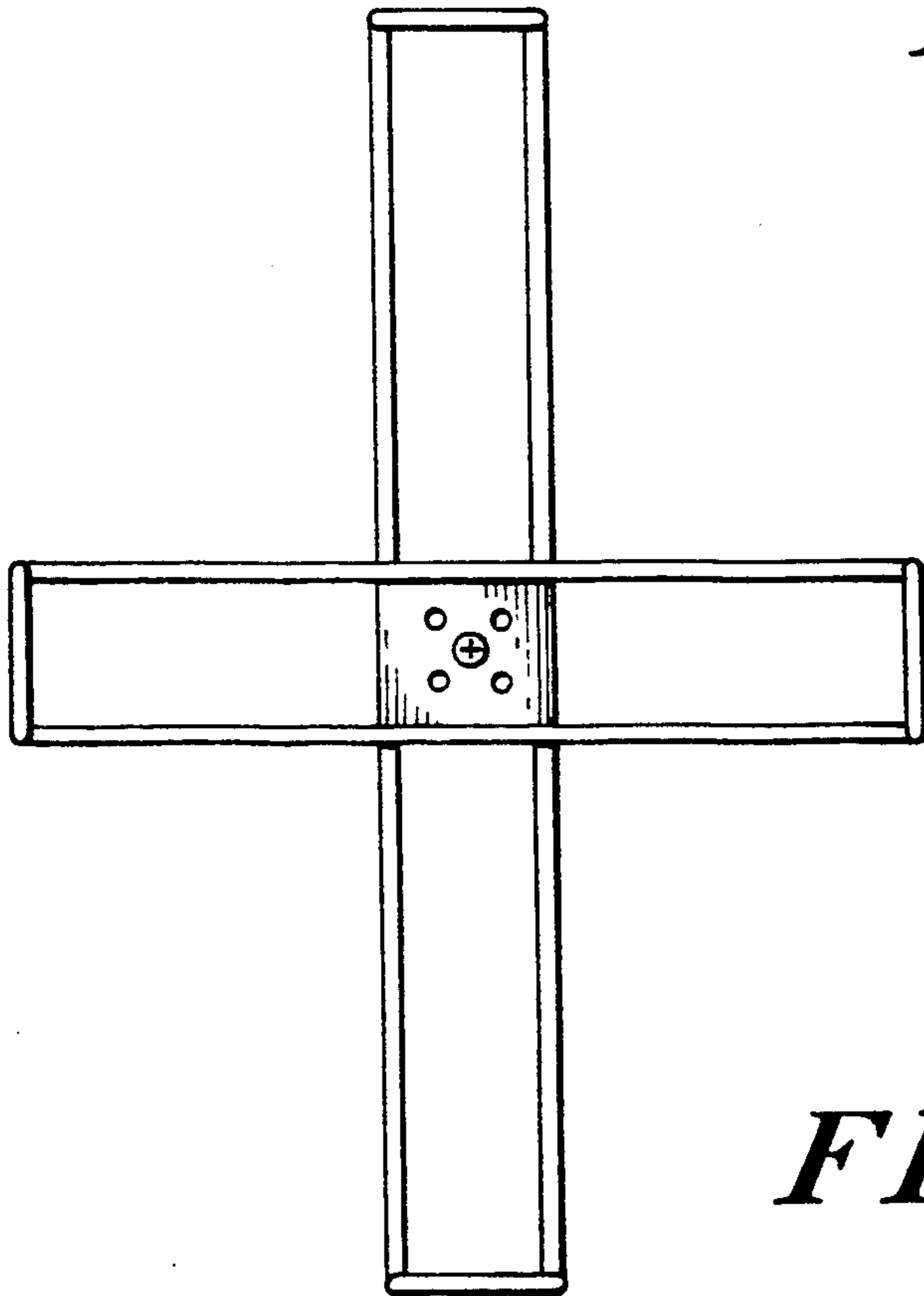


FIG. 2

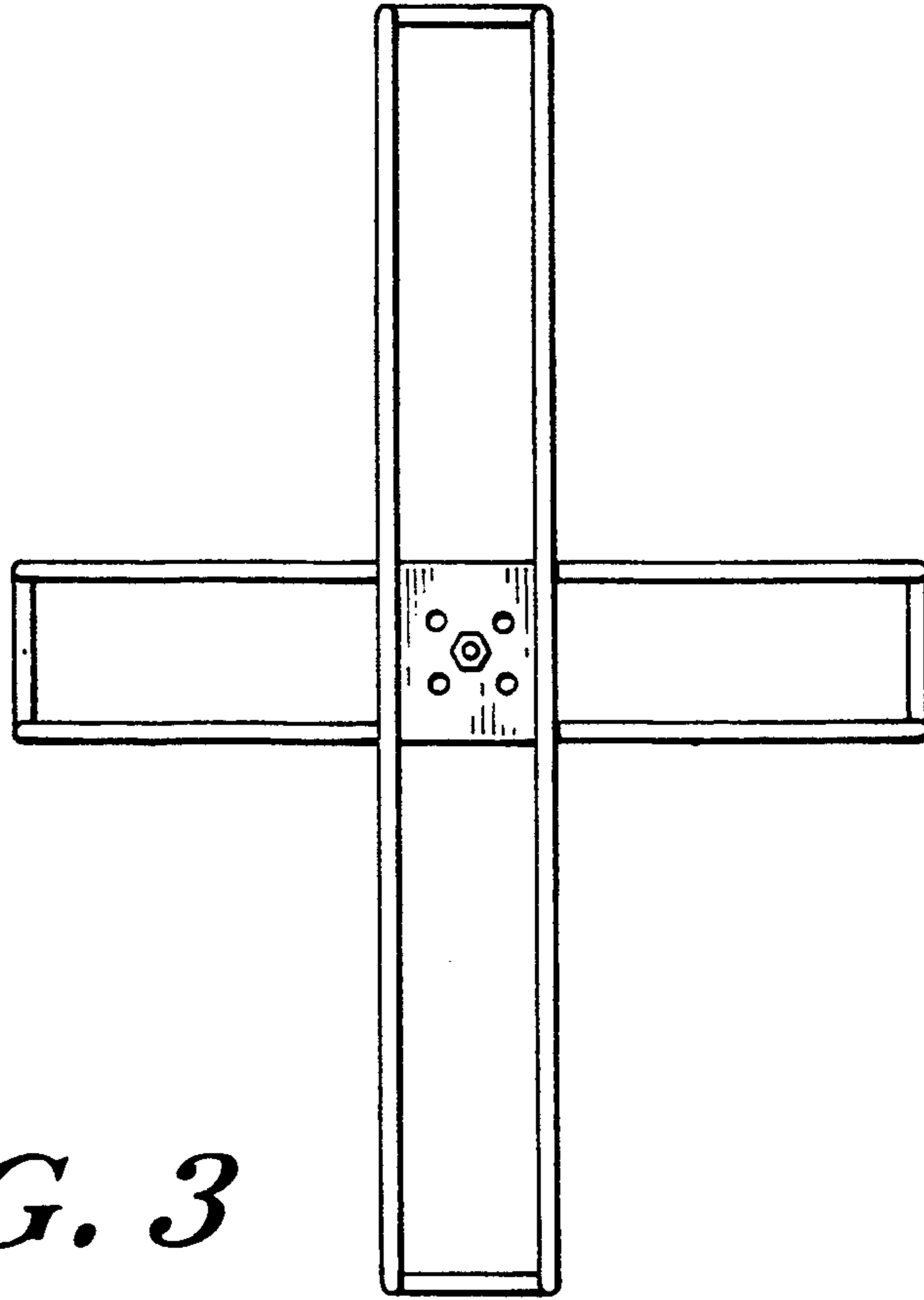


FIG. 3

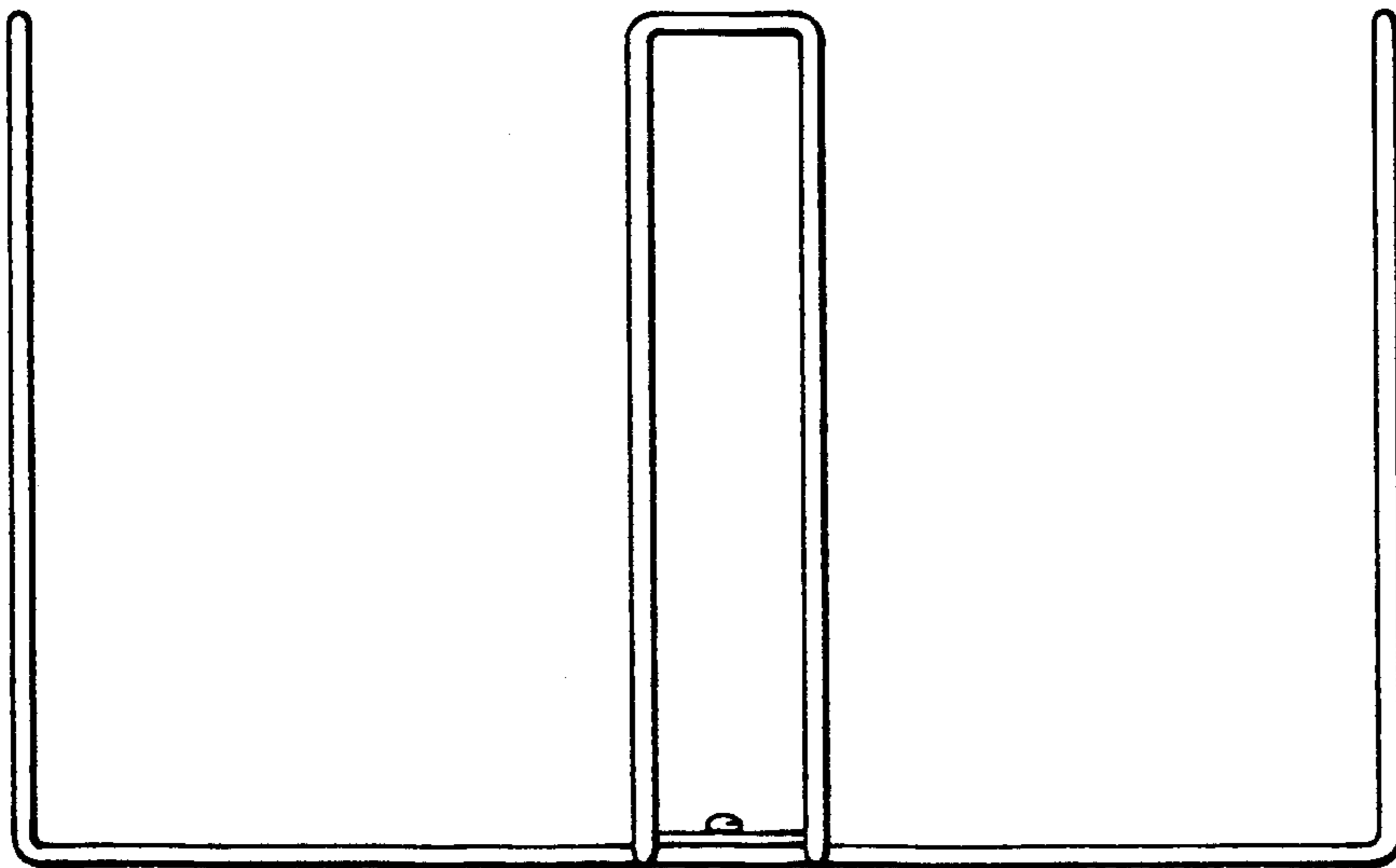


FIG. 4

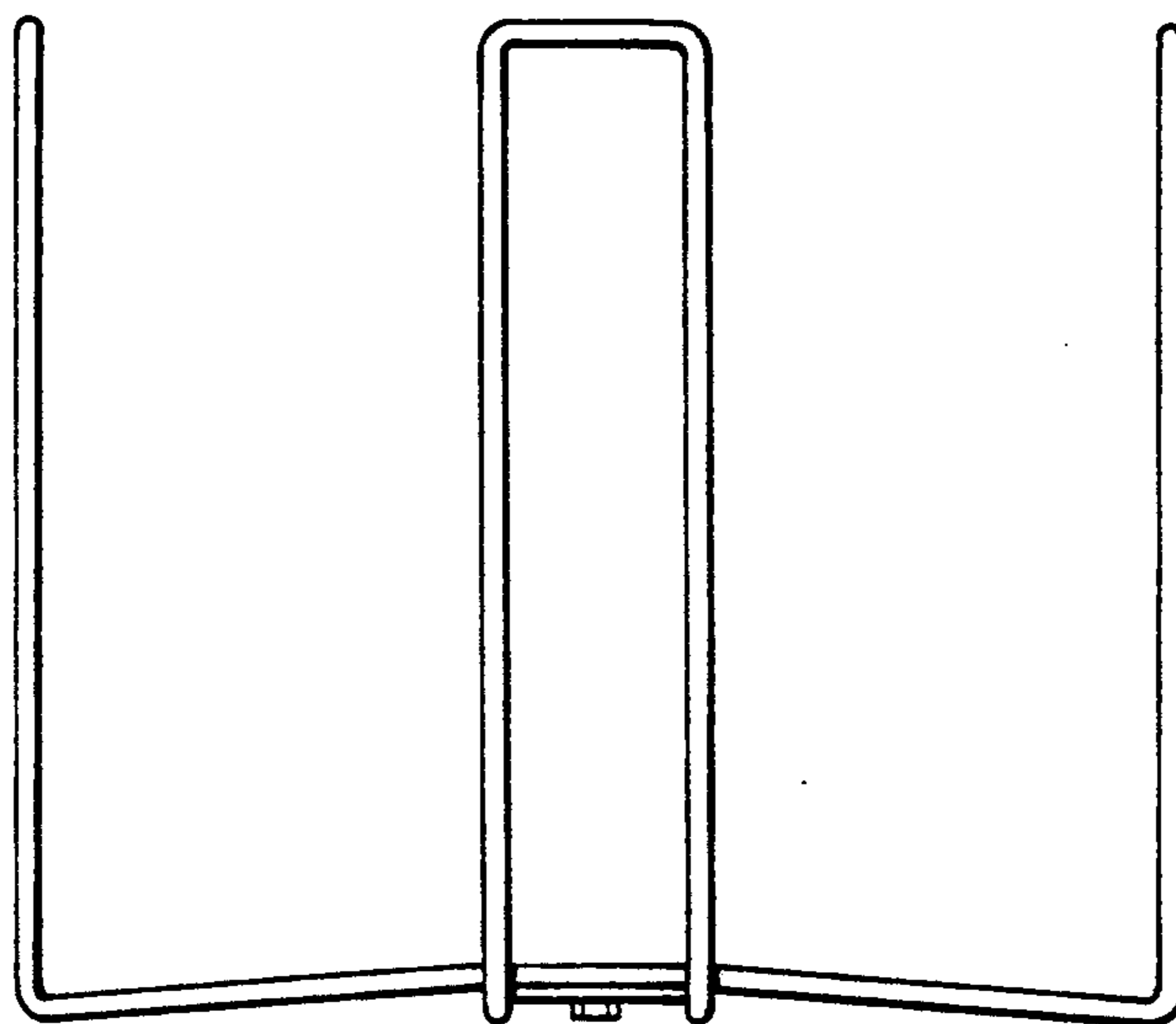


FIG. 5