



US00D334851S

United States Patent [19]

[11] Patent Number: **Des. 334,851**

Lacour

[45] Date of Patent: **** Apr. 20, 1993**

- [54] **DESK**
- [75] Inventor: **Paul M. Lacour, Ridgewood, N.J.**
- [73] Assignee: **Lacour Incorporated, Harrington Park, N.J.**
- [**] Term: **14 Years**
- [21] Appl. No.: **841,460**
- [22] Filed: **Feb. 26, 1992**

- D. 207,712 5/1967 Sullivan D6/422
- D. 223,371 4/1972 Allen .
- D. 275,633 9/1984 Thompson D6/422
- D. 298,889 12/1988 LaCour D6/423
- D. 298,890 12/1988 LaCour D6/426
- 1,886,766 11/1932 Ulrich .
- 2,306,209 12/1942 Elofson et al. .
- 2,664,331 12/1953 Glotfelter .
- 2,694,614 11/1954 Dent .
- 3,079,207 2/1963 Deaton .
- 3,862,785 1/1975 Scheerhorn et al. .
- 4,258,963 3/1981 Fusselman et al. .
- 4,323,291 4/1982 Ball .
- 4,619,486 10/1986 Hannah et al. .
- 4,798,423 1/1989 LaCour .

Related U.S. Application Data

- [62] Division of Ser. No. 308,104, Feb. 8, 1989, Pat. No. Des. 324,963.
- [52] U.S. Cl. **D6/428**
- [58] Field of Search **D6/422-428;**
312/194-196

Primary Examiner—Carmen H. Vales-Lado
Attorney, Agent, or Firm—Ralph W. Selitto, Jr.

[57] CLAIM

The ornamental design for a desk, as shown and described.

[56] References Cited

U.S. PATENT DOCUMENTS

- D. 162,927 4/1951 Bloom .
- D. 167,248 7/1952 Becker .
- D. 172,098 5/1954 Knoll .
- D. 177,218 3/1956 Collins .
- D. 180,224 5/1957 Delyun .
- D. 192,009 1/1962 Deaton .
- D. 193,517 9/1962 Deaton D6/422
- D. 193,518 9/1962 Deaton D6/422
- D. 196,733 10/1963 Huller et al. D6/422
- D. 197,612 3/1964 Rice et al. D6/422

DESCRIPTION

FIG. 1 is a rear perspective view of a desk showing my new design;
 FIG. 2 is a front perspective view thereof;
 FIG. 3 is a front elevational view thereof;
 FIG. 4 is a rear elevational view thereof;
 FIG. 5 is a side elevational view, the opposite side being a mirror image thereof;
 FIG. 6 is a top plan view thereof; and,
 FIG. 7 is a bottom plan view thereof.

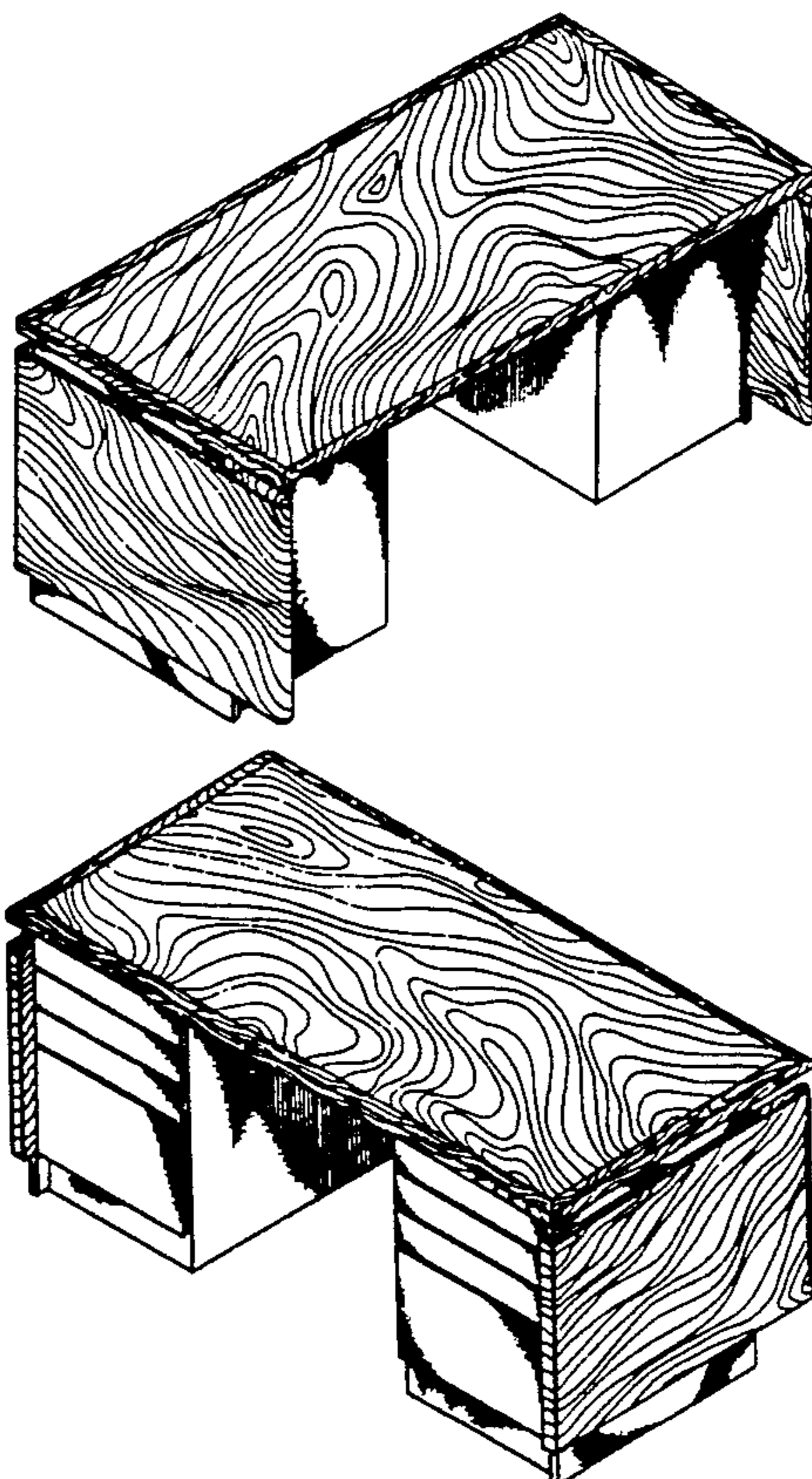


FIG. 1

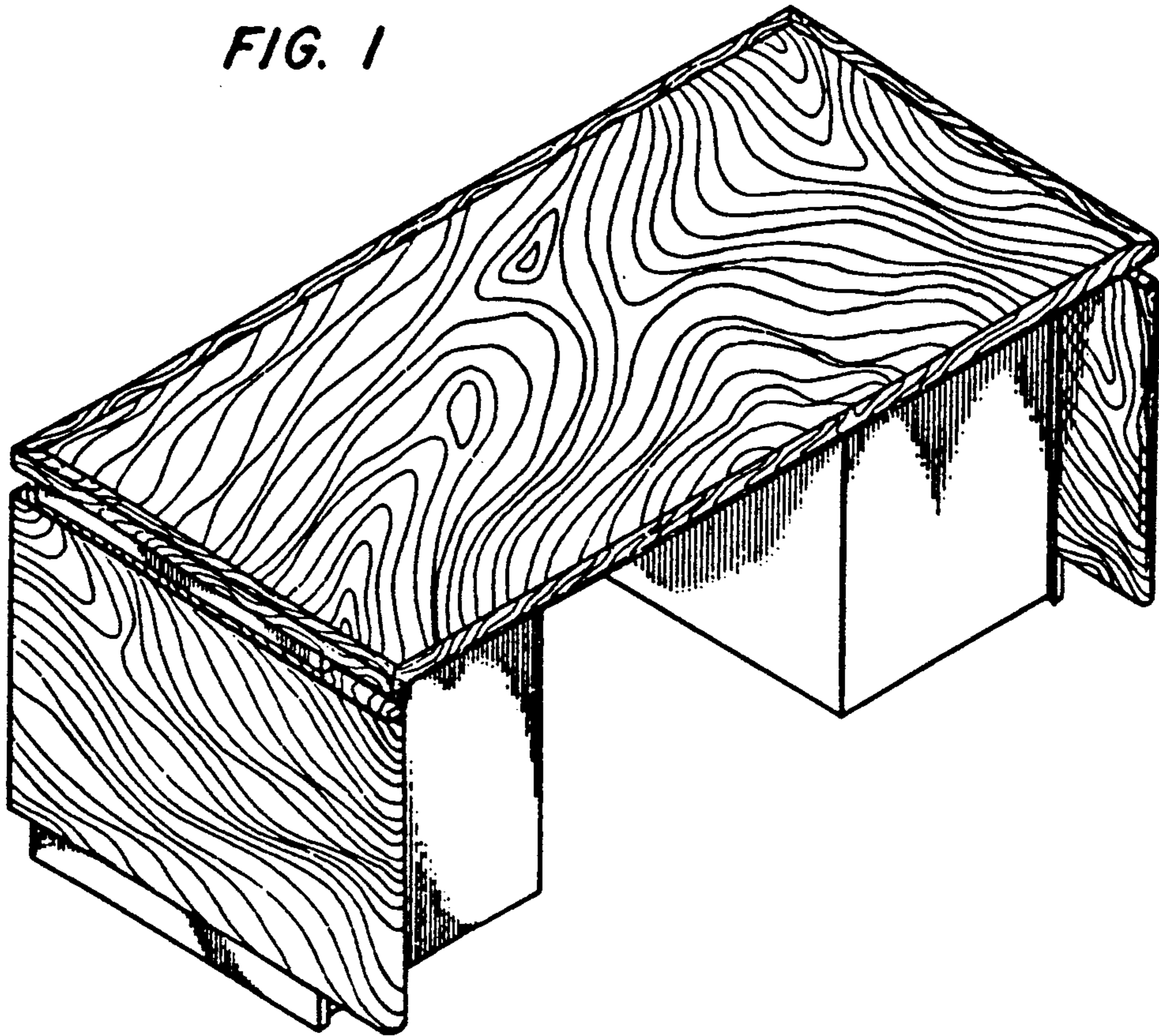


FIG. 2

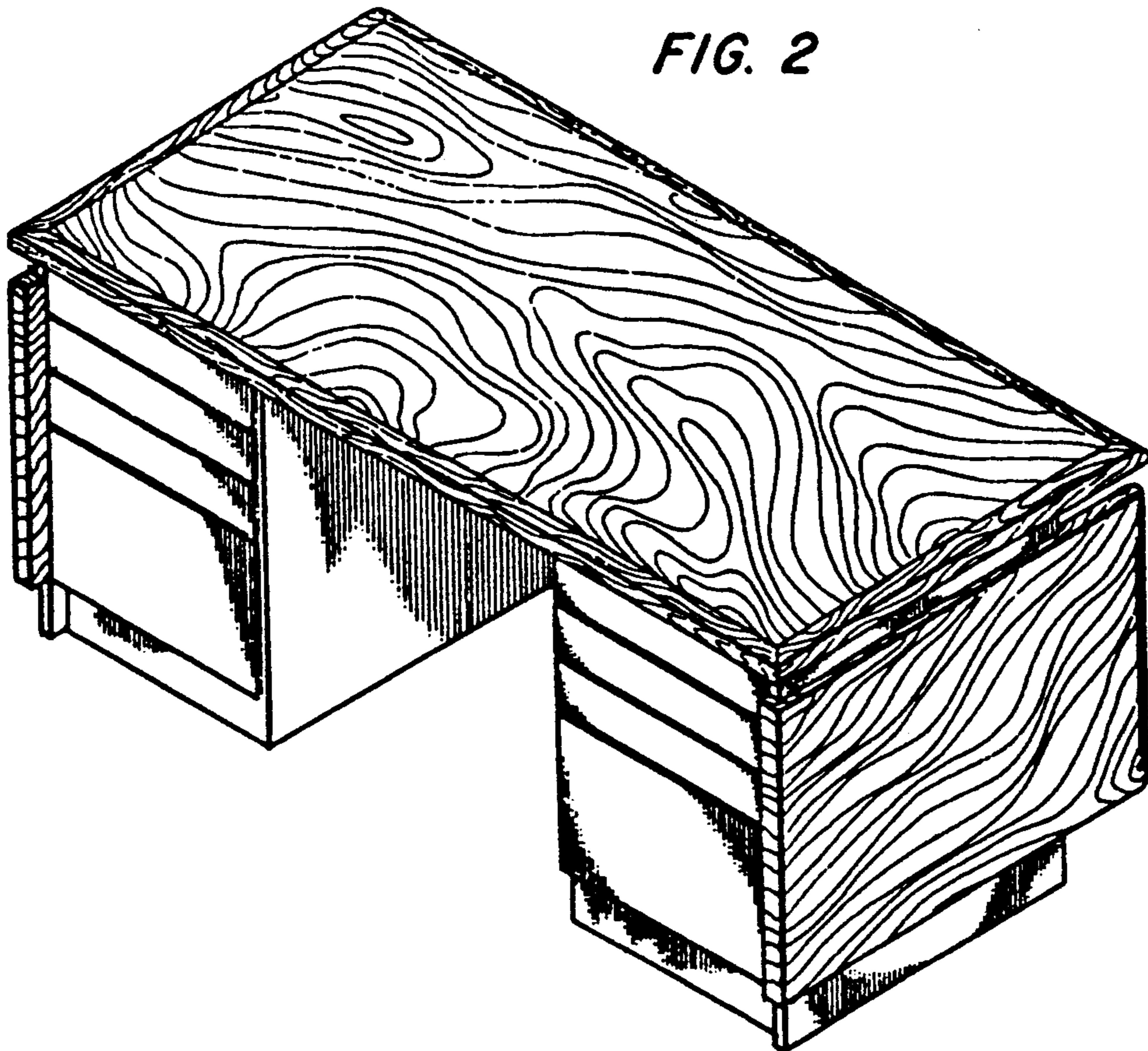


FIG. 3

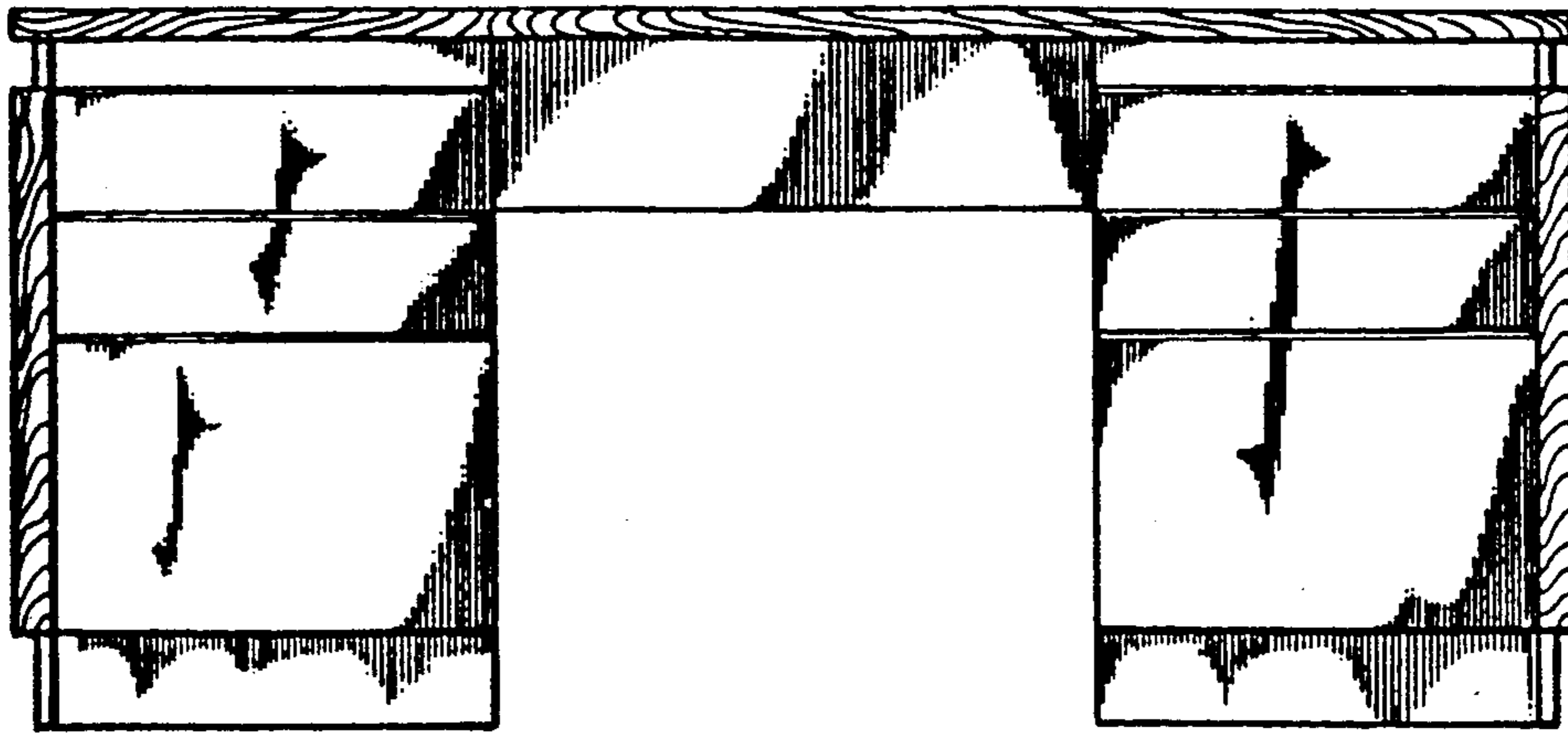


FIG. 4

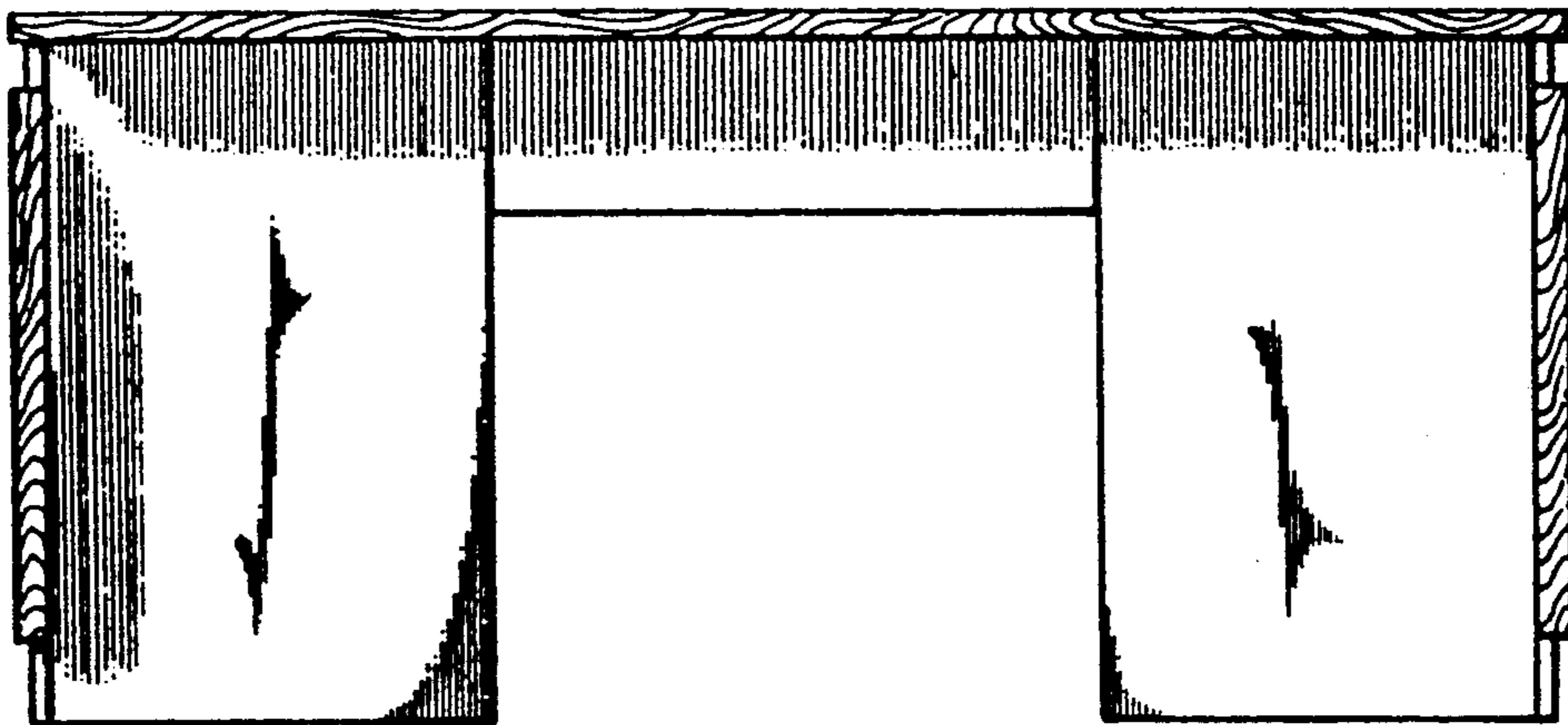


FIG. 5

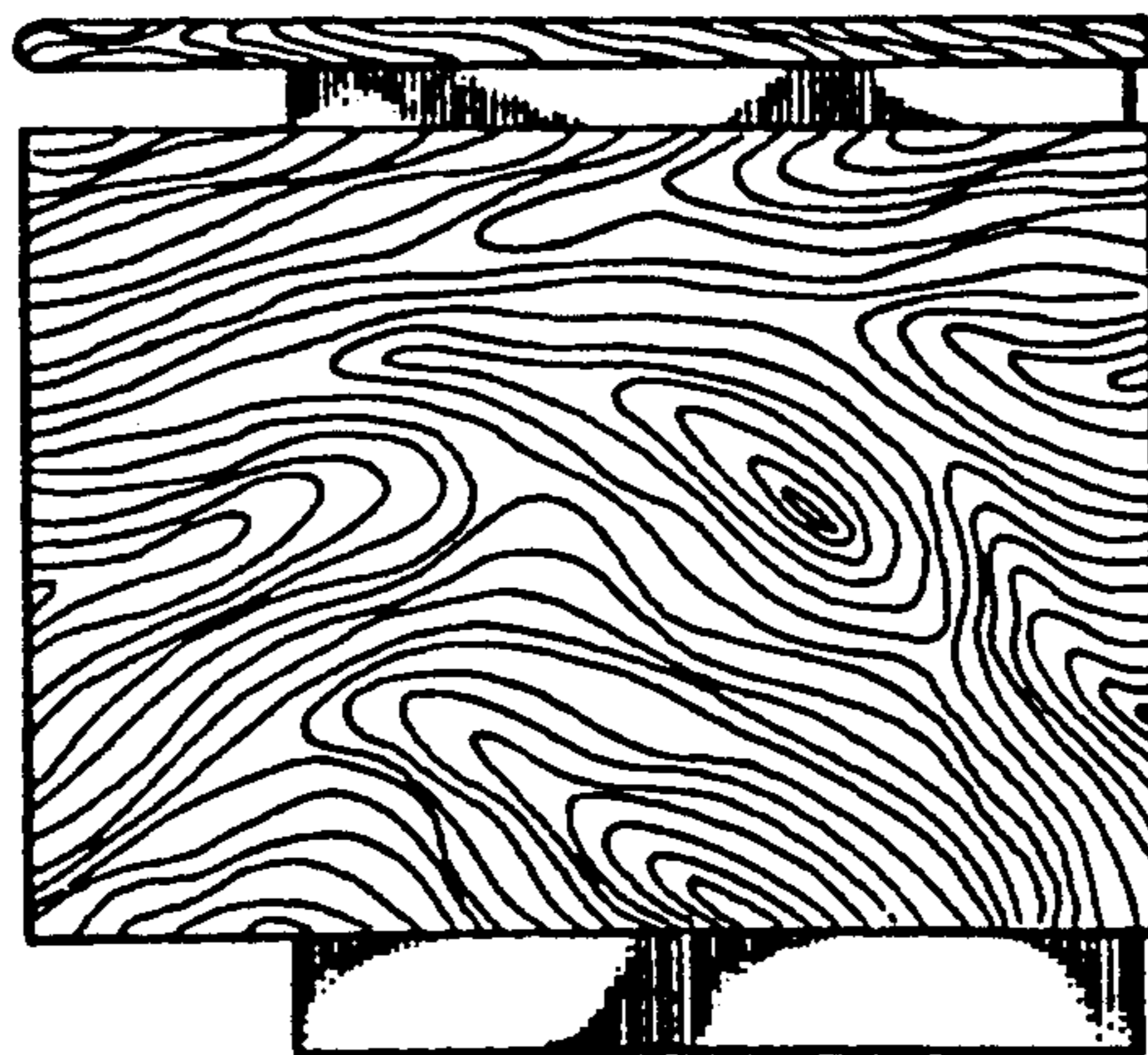


FIG. 6

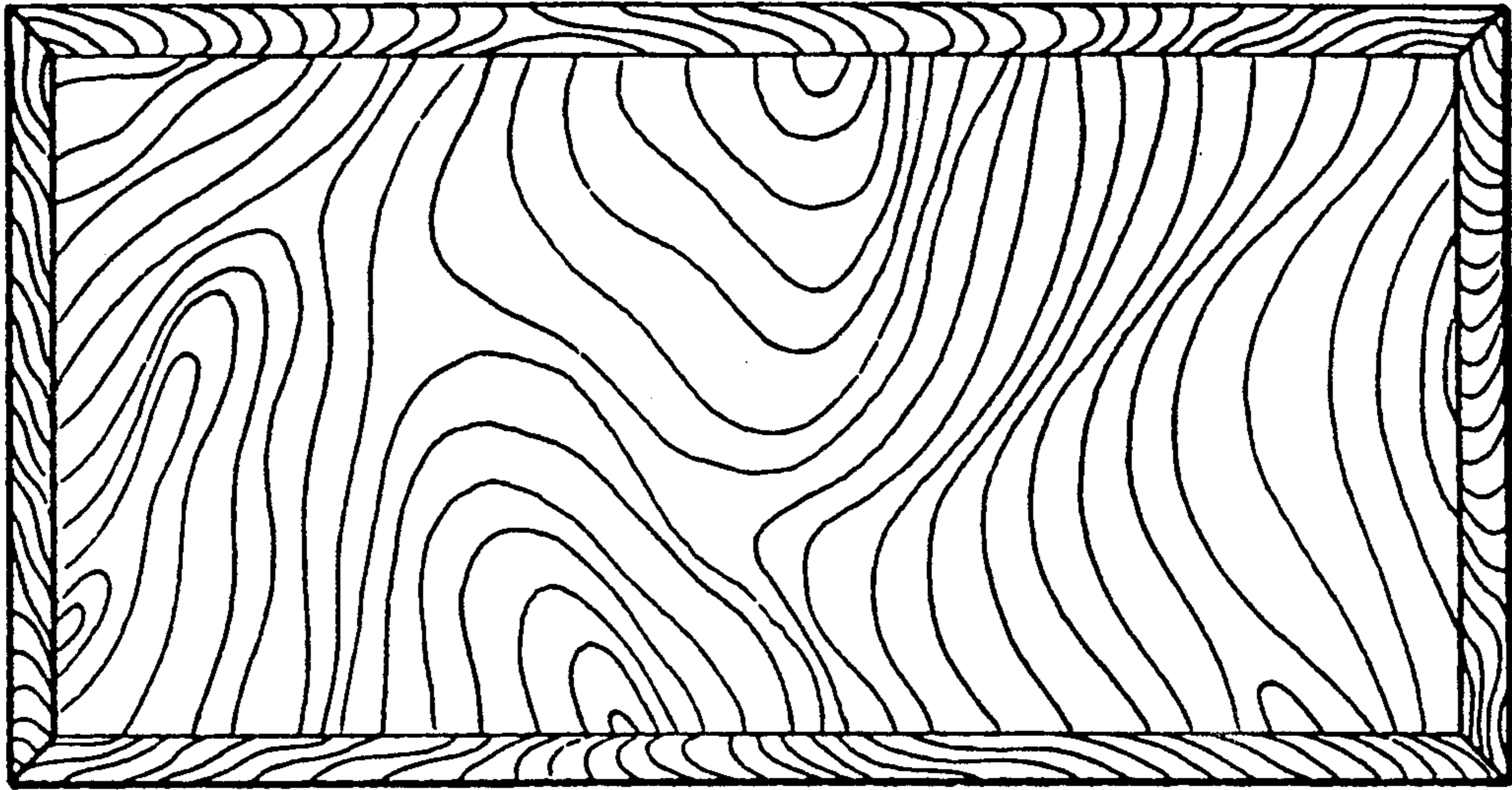


FIG. 7

