



US00D334850S

United States Patent [19]

[11] Patent Number: **Des. 334,850**

Vigna

[45] Date of Patent: **** Apr. 20, 1993**

[54] **UMBRELLA STAND**

[75] Inventor: **Elio Vigna, Genoa, Italy**

[73] Assignee: **Fiam Italia S.p.A., Pesaro, Italy**

[**] Term: **14 Years**

[21] Appl. No.: **731,922**

[22] Filed: **Jul. 18, 1991**

[52] U.S. Cl. **D6/416; D6/457; D6/469; 248/524**

[58] Field of Search **D6/416, 455, 457-461, D6/469, 467, 468, 482; D11/146; D26/9, 19-23; 248/524; 211/13, 60.1, 70.1, 62**

[56] **References Cited**

U.S. PATENT DOCUMENTS

- D. 141,633 6/1945 Eubank D11/146
- D. 203,287 12/1965 Rodriguez D6/416 X
- D. 271,833 12/1983 Okada D11/146 X

- D. 286,957 12/1986 Johnson D11/146 X
- D. 288,508 3/1987 Toyama D6/458 X
- 1,570,532 1/1926 Strouse et al. 211/62
- 2,679,371 5/1954 Meldrum 248/524 X

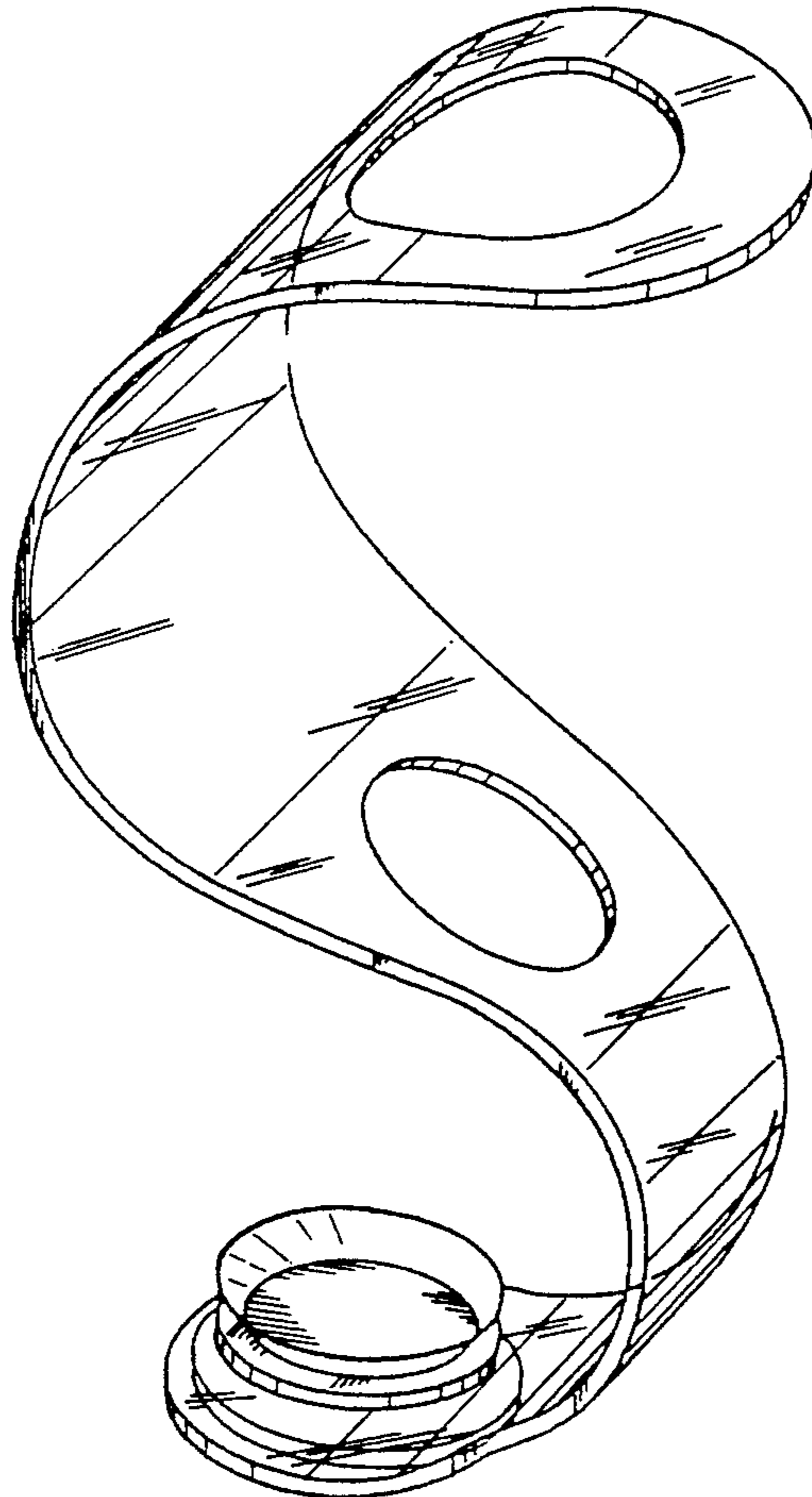
Primary Examiner—Alan P. Douglas
Assistant Examiner—Jeffrey Asch

[57] CLAIM

The ornamental design for an umbrella stand, as shown and described.

DESCRIPTION

FIG. 1 is a perspective view of an umbrella stand showing my new design;
 FIG. 2 is a top plan view thereof;
 FIG. 3 is a bottom plan view thereof;
 FIG. 4 is a front elevational view thereof;
 FIG. 5 is a rear elevational view thereof; and,
 FIG. 6 is a left side elevational view, the opposite side being a mirror image thereof.



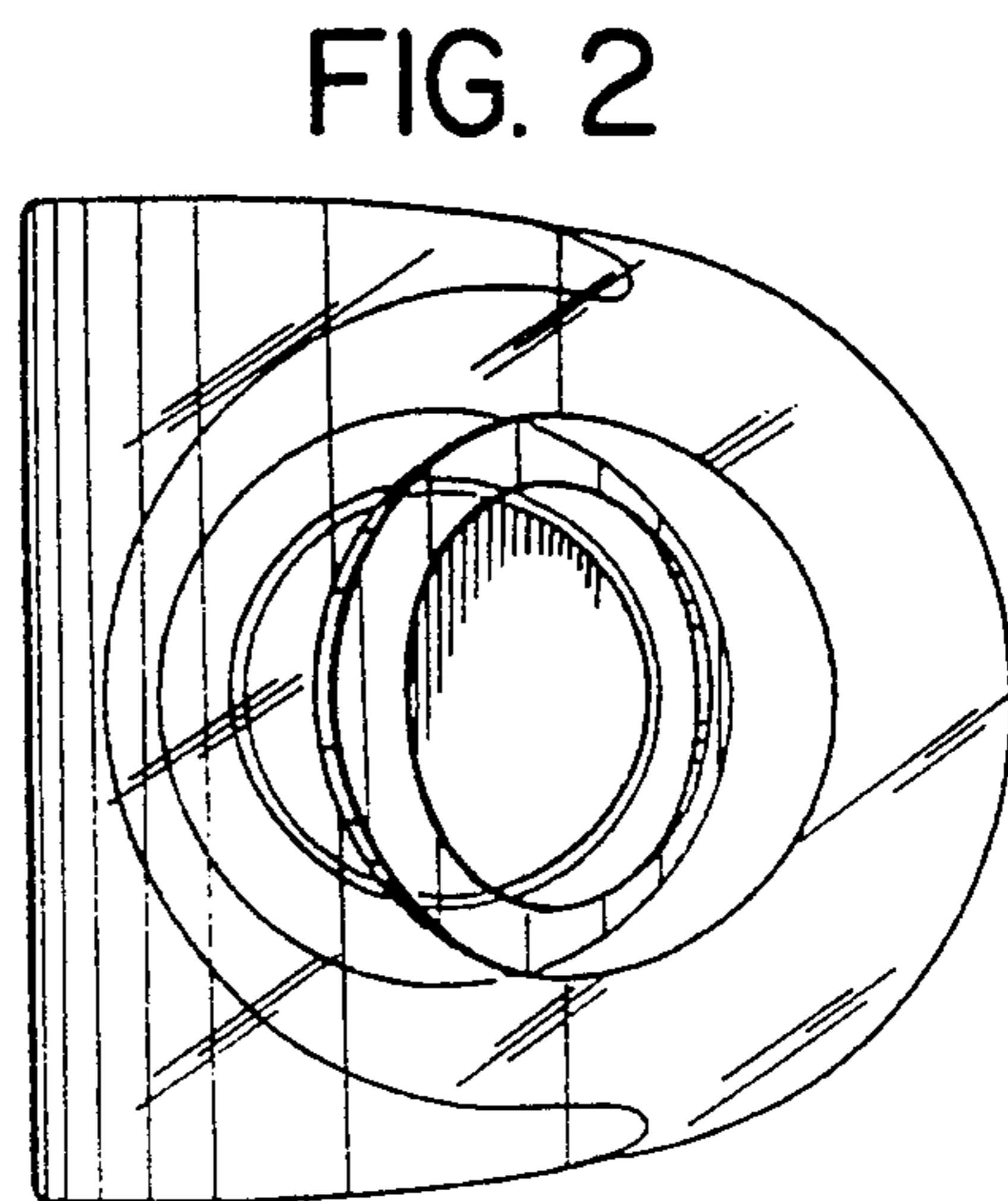
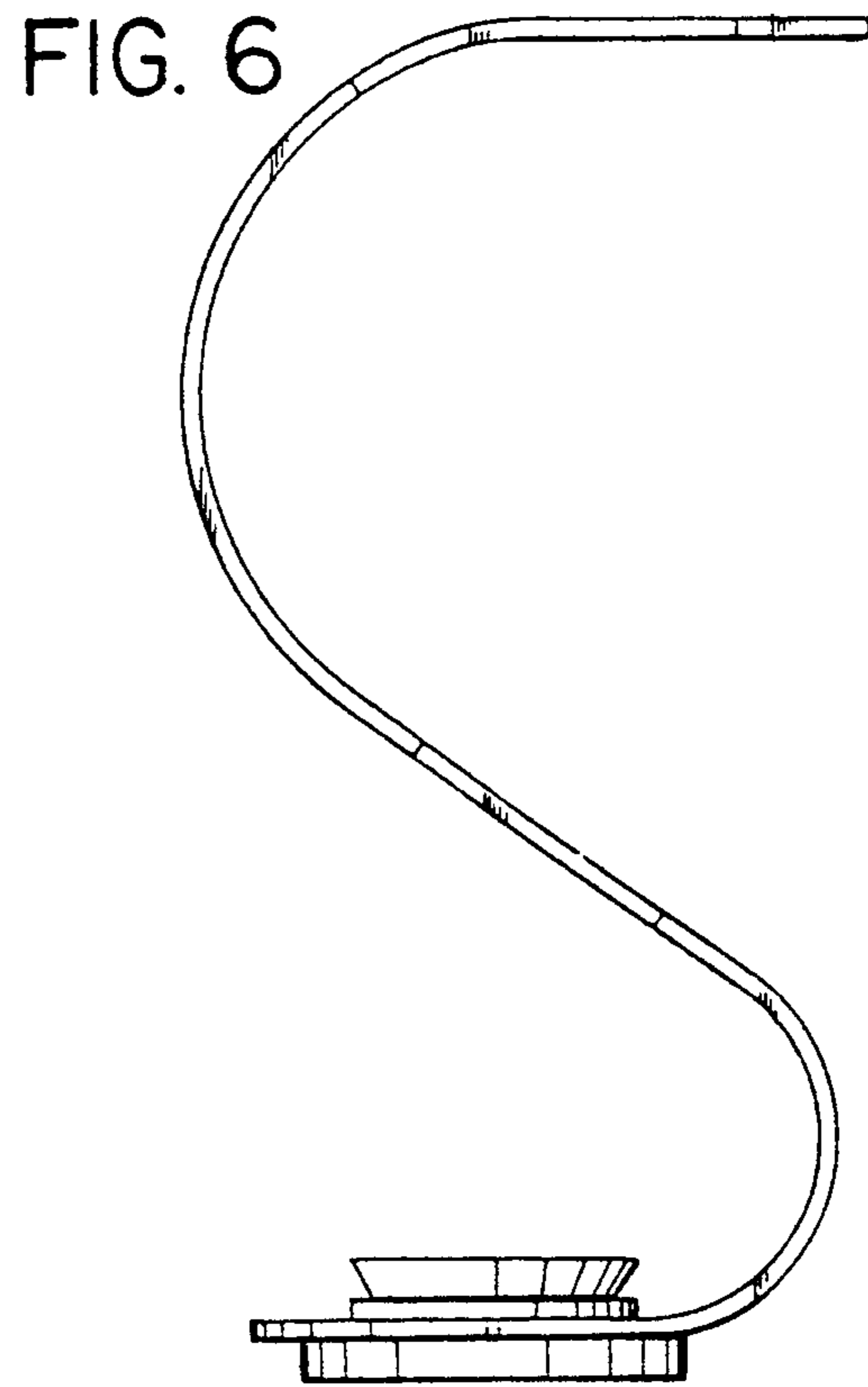
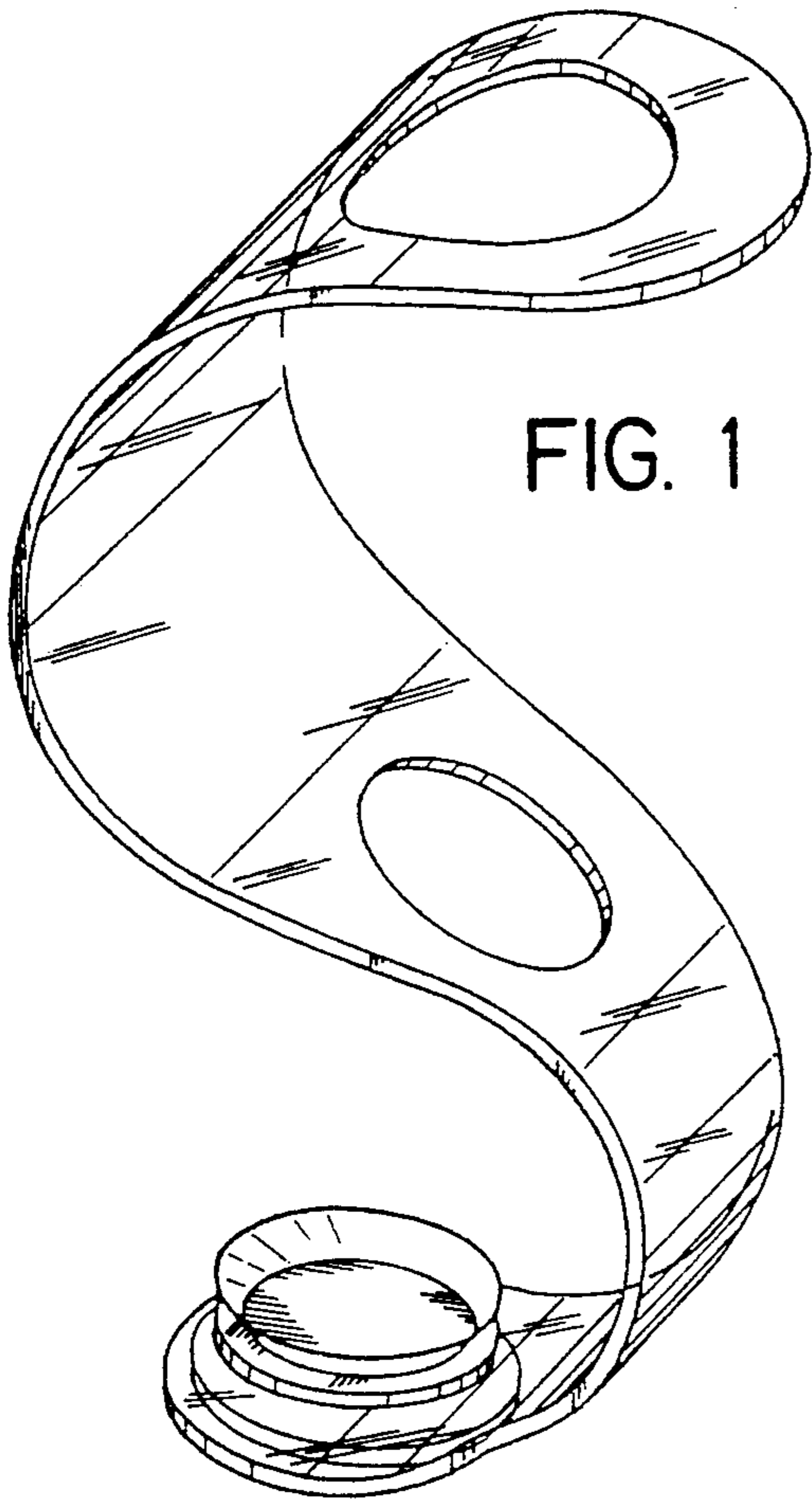


FIG. 3

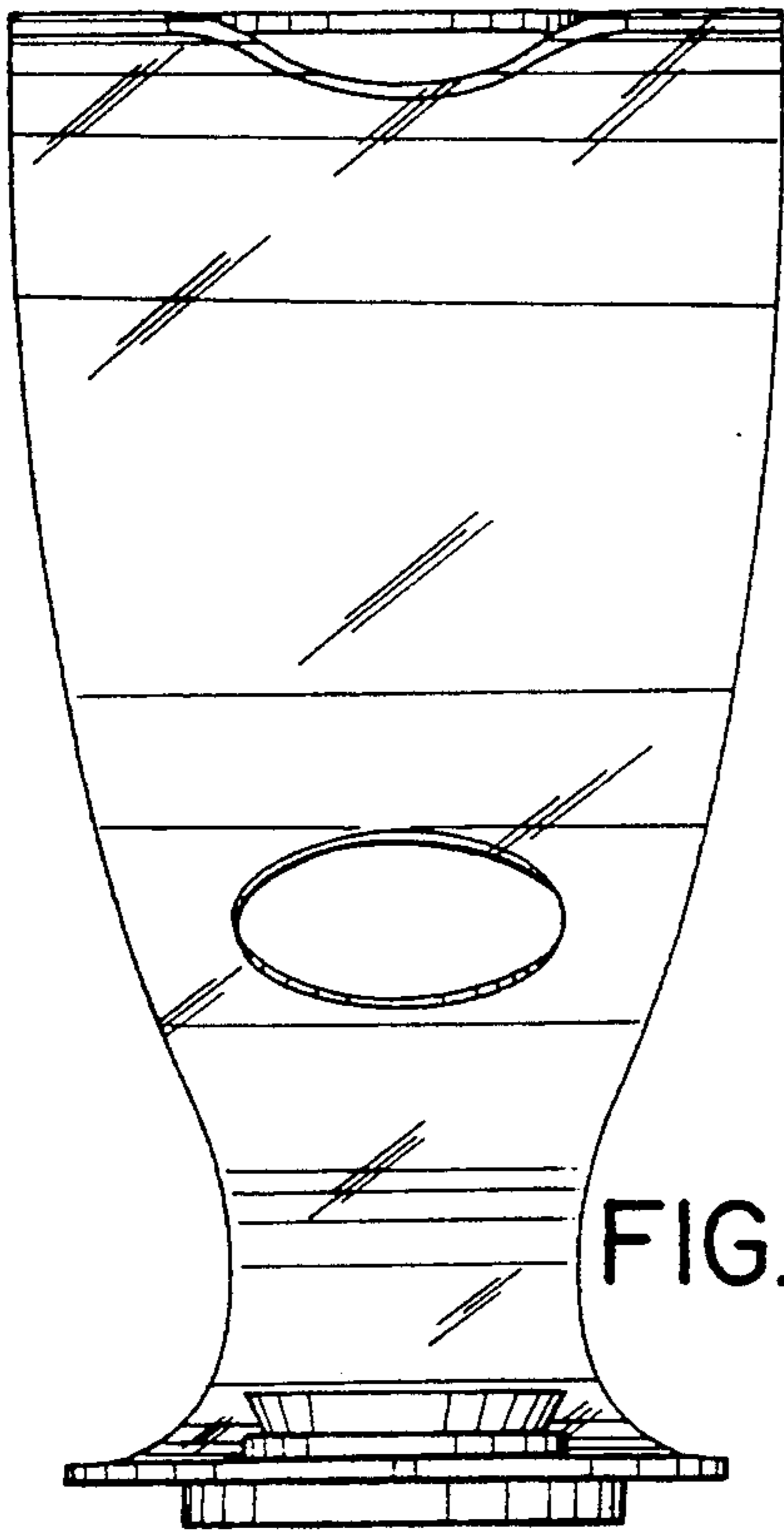
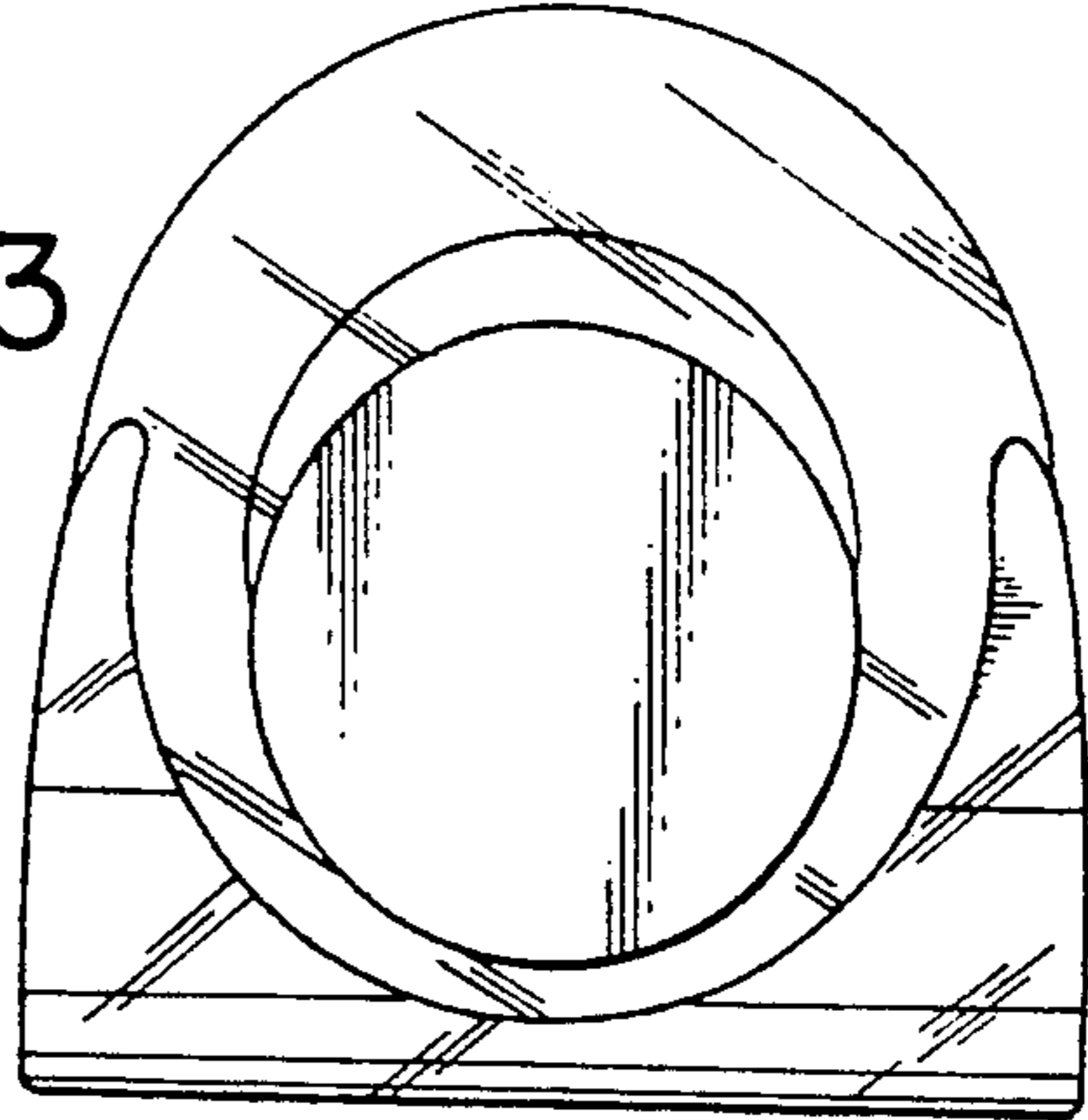


FIG. 5

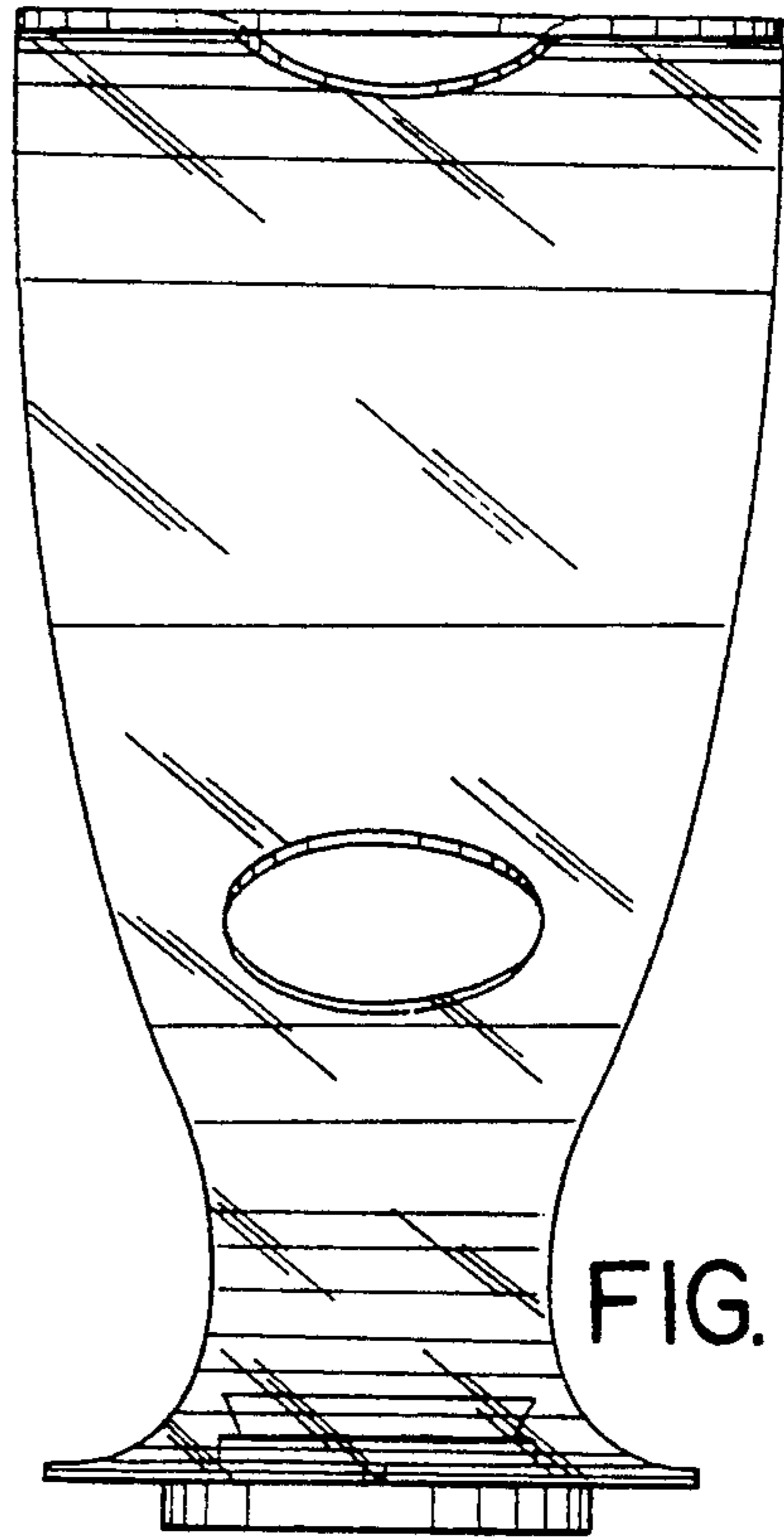


FIG. 4

UNITED STATES PATENT AND TRADEMARK OFFICE
CERTIFICATE OF CORRECTION

PATENT NO. : Des. 334,850
DATED : April 20, 1993
INVENTOR(S) : Elio Vigna

It is certified that error appears in the above-identified patent and that said Letters Patent is hereby corrected as shown below:

On the Title page, after item [22] Filed: Jul. 18, 1991, insert
item [30] Foreign Application Priority Data--January 18, 1991
Italy ...MI 91000029--.

Signed and Sealed this
Eleventh Day of January, 1994



Attest:

BRUCE LEHMAN

Attesting Officer

Commissioner of Patents and Trademarks