



US00D334848S

United States Patent [19]

[11] Patent Number: **Des. 334,848**

Mariol

[45] Date of Patent: **** Apr. 20, 1993**

- [54] **ARTICLE USEFUL AS BOOSTER CHAIR AND AS STEP STOOL**
- [76] Inventor: **John V. Mariol**, 7163 Honeywood Ct., Cincinnati, Ohio 45230
- [**] Term: **14 Years**
- [21] Appl. No.: **653,810**
- [22] Filed: **Feb. 11, 1991**
- [52] U.S. Cl. **D6/333; D6/335; D6/350**
- [58] Field of Search **D6/333, 335, 350, 359; 297/250, 487**

4,671,574 6/1987 Kassai 297/487

FOREIGN PATENT DOCUMENTS

28653 2/1957 Finland 297/1

Primary Examiner—Alan P. Douglas
Assistant Examiner—Monica A. Hannon
Attorney, Agent, or Firm—Dressler, Goldsmith, Shore, Sutker & Milnamow, Ltd.

[57] CLAIM

The ornamental design for an article useful as booster chair and as step stool, as shown and described.

DESCRIPTION

FIG. 1 is a perspective view of an article useful as a booster chair and as a step stool, as shown in a booster chair orientation;
 FIG. 2 is a front elevational view thereof;
 FIG. 3 is a side elevational view thereof, one side being shown, the other side being a mirror image of the side shown;
 FIG. 4 is a back elevational view thereof;
 FIG. 5 is a top plan view thereof;
 FIG. 6 is a bottom elevational view thereof;
 FIG. 7 is a perspective view of the article in a step stool orientation, as seen from one vantage; and,
 FIG. 8 is a perspective view of the article in the step stool orientation, as seen from another vantage.

[56] References Cited

U.S. PATENT DOCUMENTS

- D. 144,404 4/1946 Mabry 297/3 X
- D. 276,099 10/1984 Cone D6/333
- D. 283,855 5/1986 Kujawski D6/333
- D. 307,800 5/1990 Hradisky D6/350 X
- D. 327,175 6/1992 Mariol D6/333 X
- 2,440,979 5/1988 Schneider 297/3
- 2,458,621 1/1949 Miller 248/188.9 X
- 2,622,658 12/1952 Morgan 297/2 X
- 3,556,586 1/1971 Beardmore 297/3
- 3,982,784 9/1976 Esser 297/1
- 4,241,949 12/1980 Parker 297/3
- 4,521,052 6/1985 Cone 297/3
- 4,627,659 12/1986 Hall 297/250 X

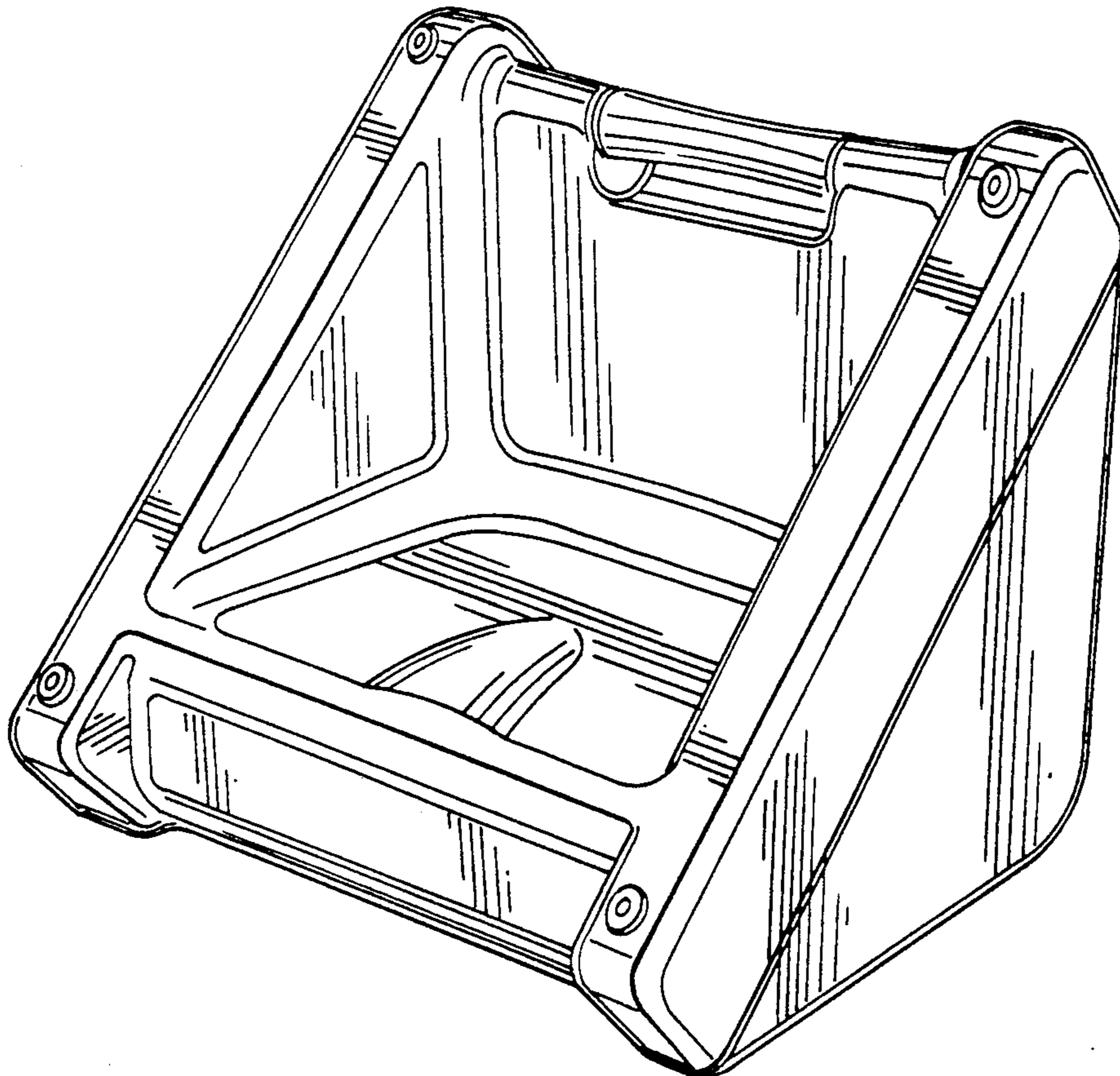


FIG. 1

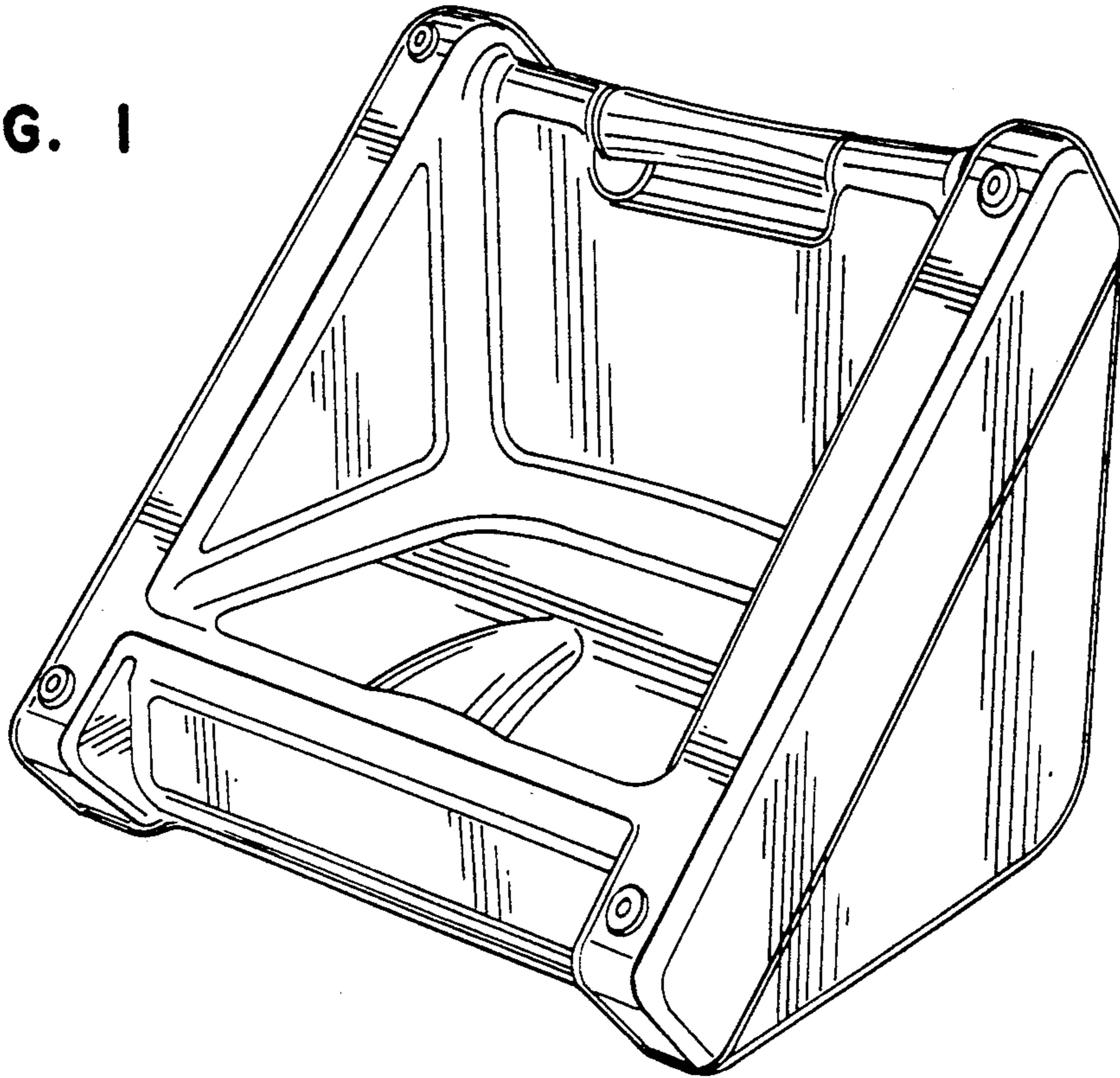


FIG. 2

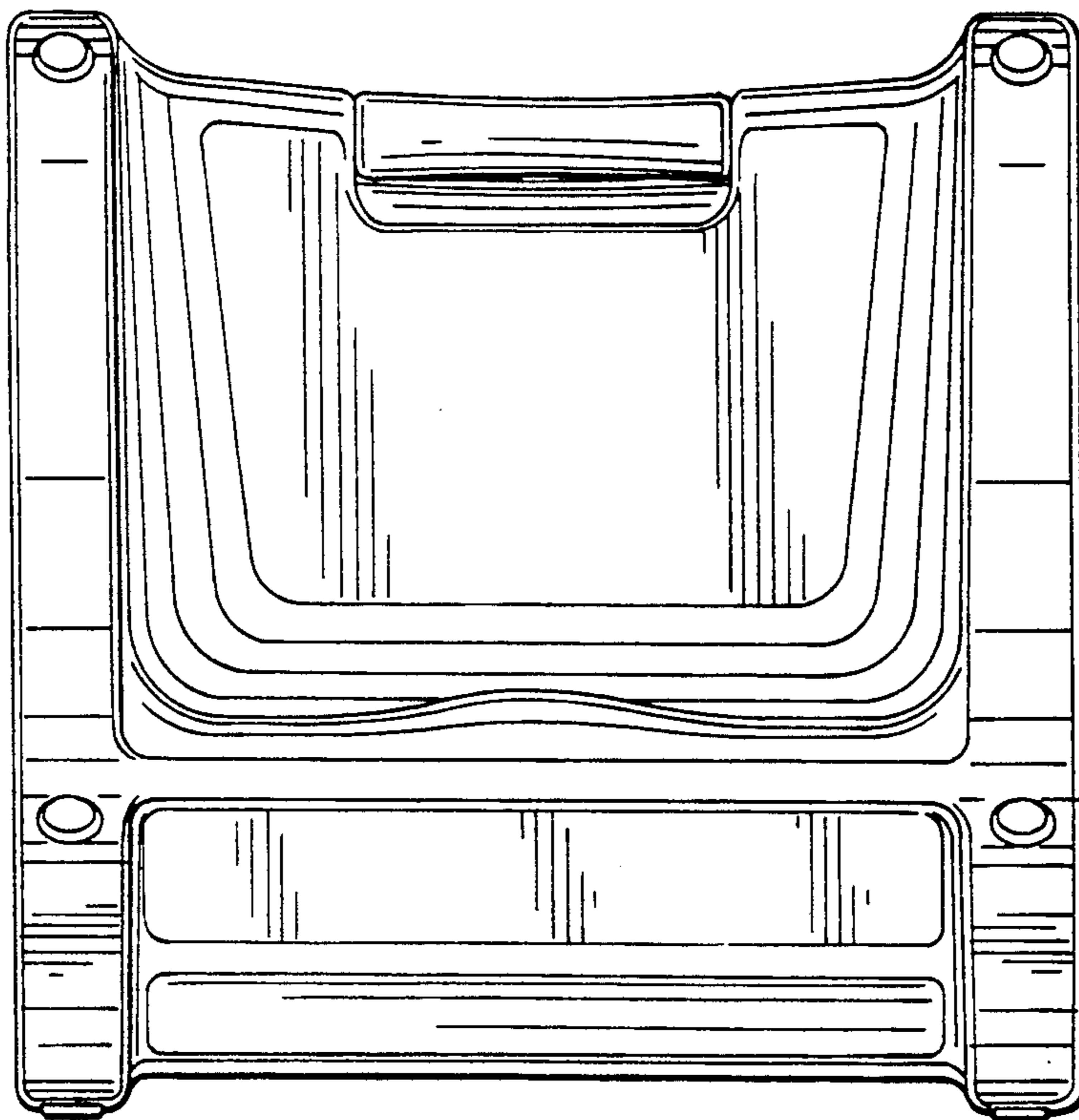


FIG. 3

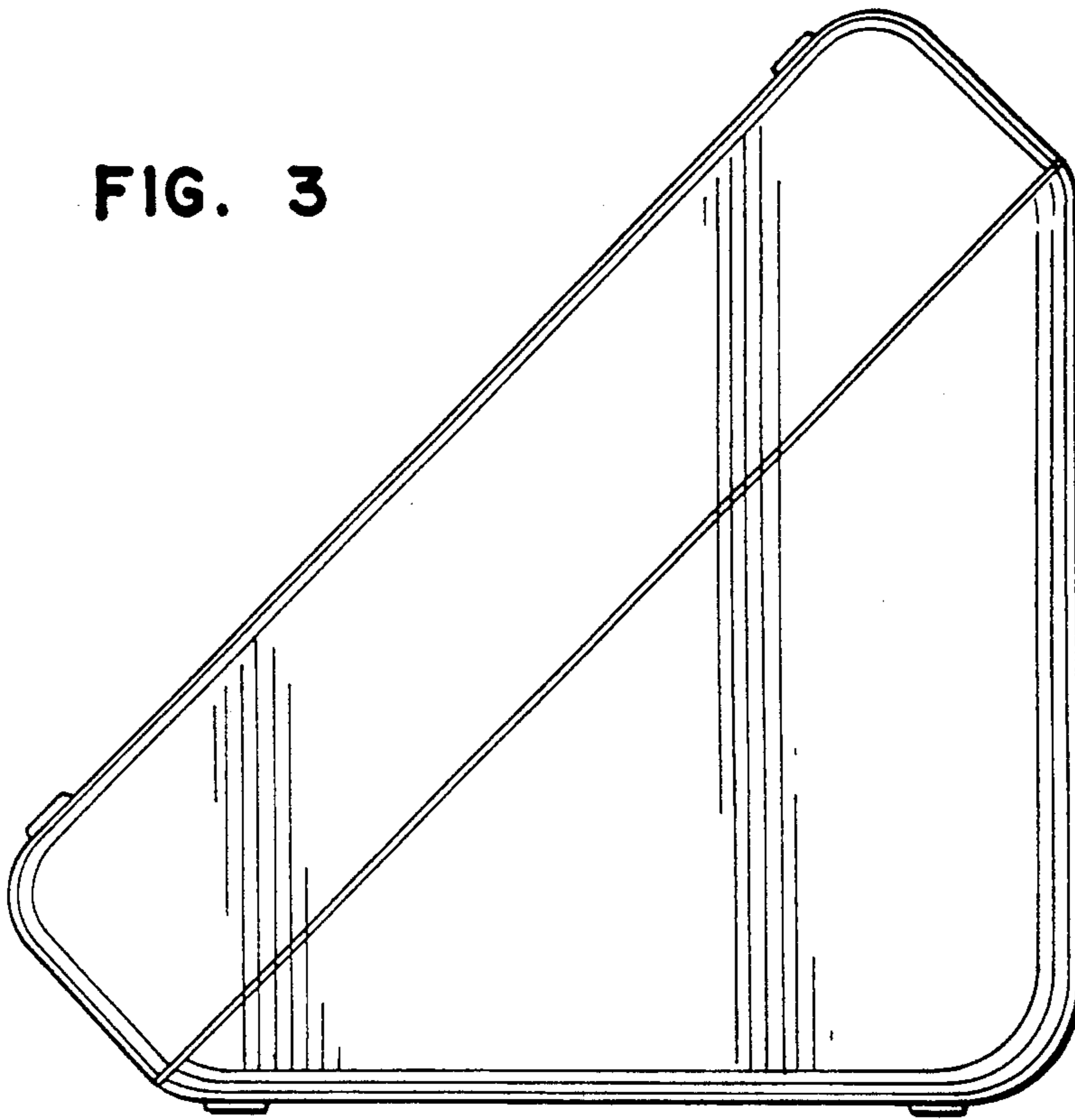


FIG. 4

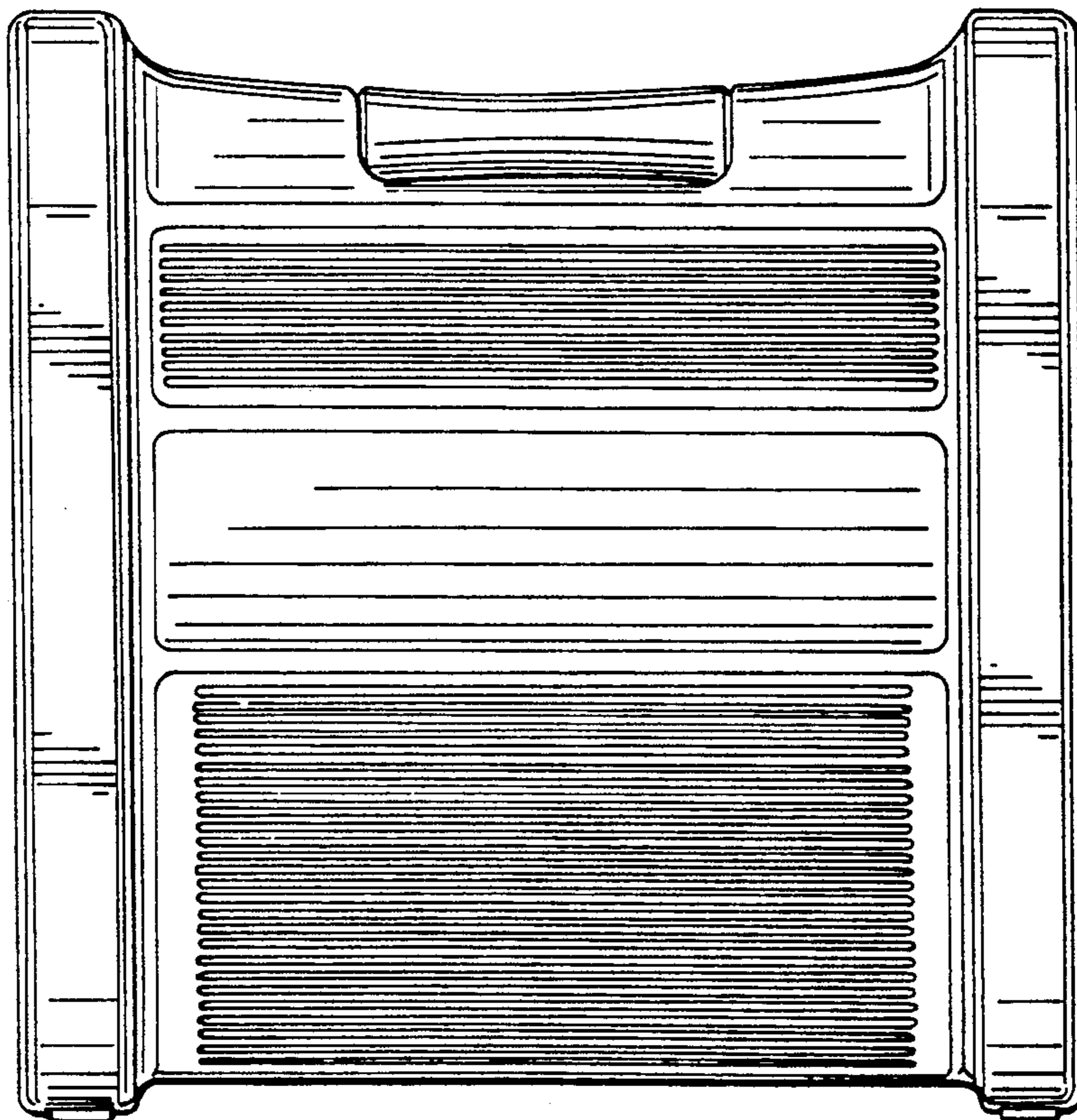


FIG. 5

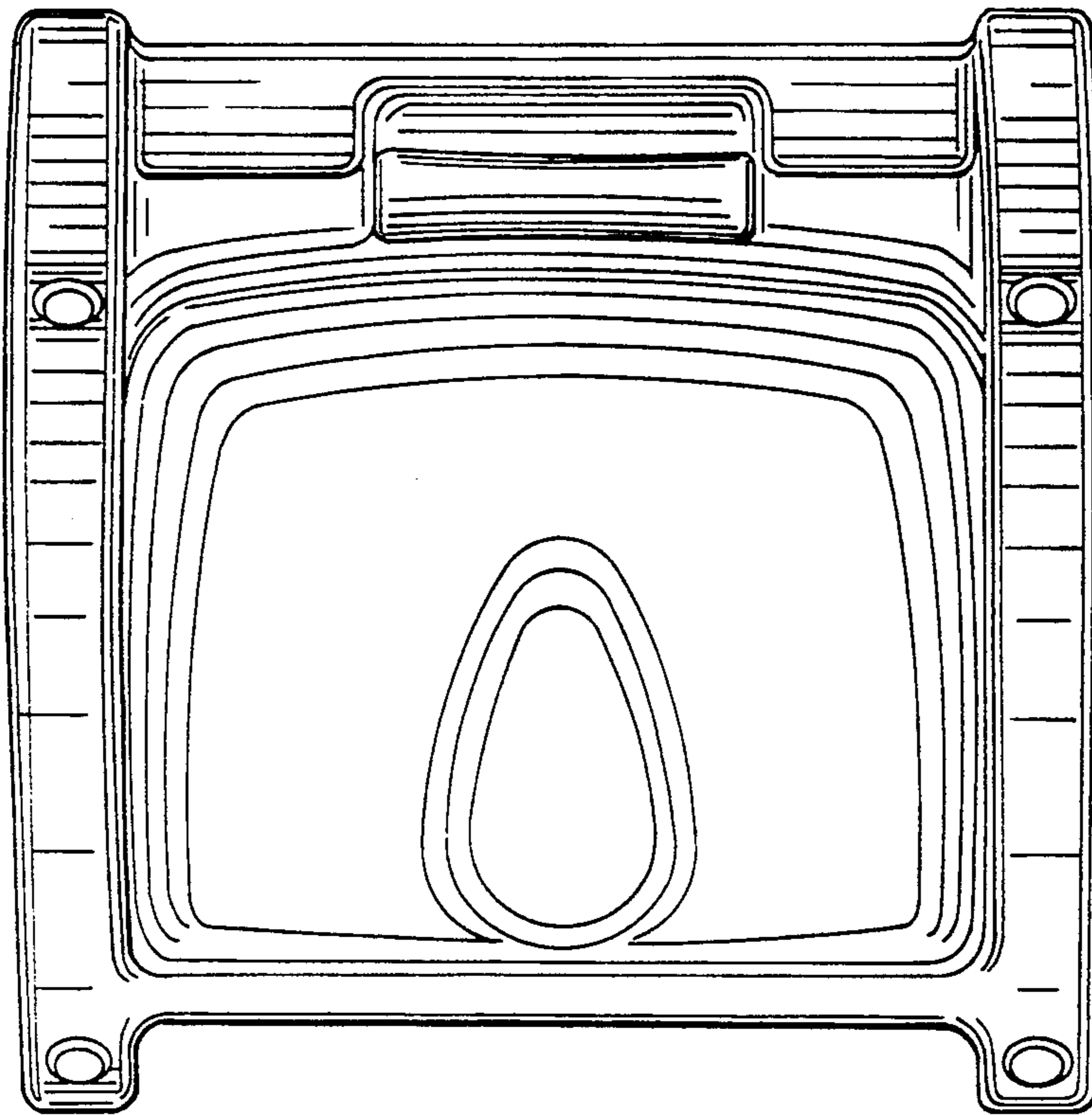


FIG. 6

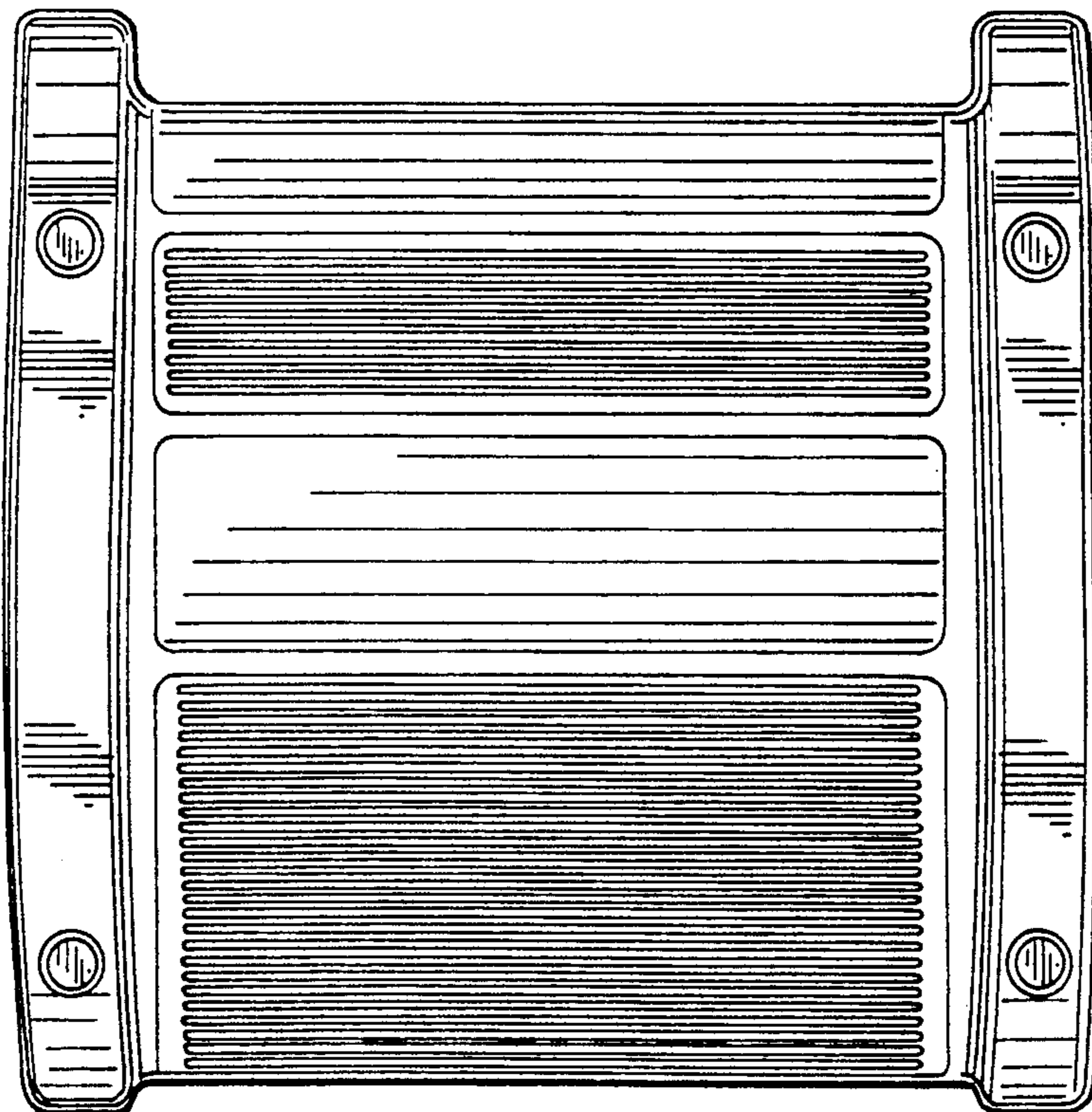


FIG. 7

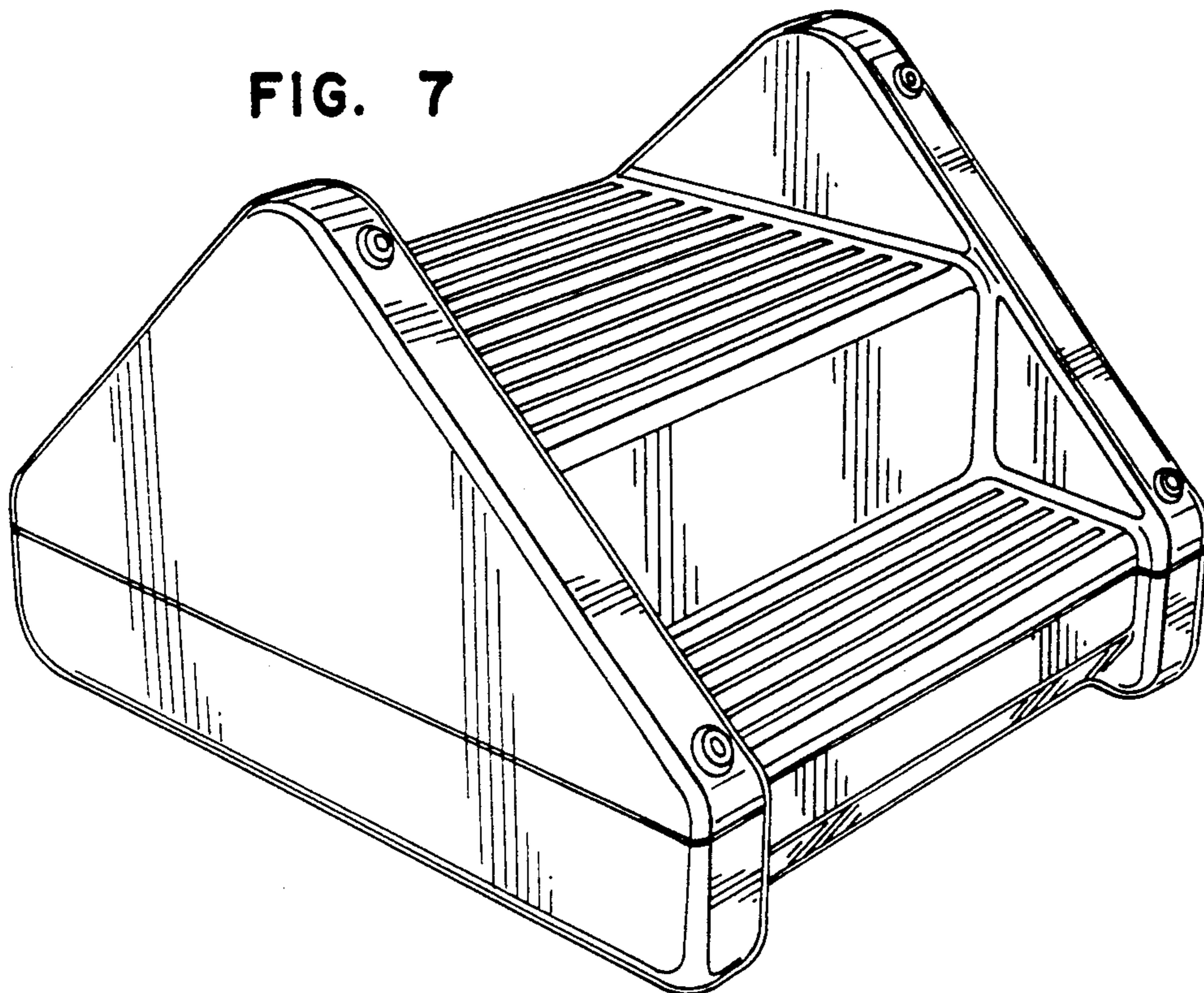


FIG. 8

