



US00D334839S

United States Patent [19]

[11] Patent Number: **Des. 334,839**

Dancyger

[45] Date of Patent: **** Apr. 20, 1993**

[54] **GARDEN TOOL HOLDER**

[76] Inventor: **Michael Dancyger, 811 W. 58th St., Los Angeles, Calif. 90037**

[**] Term: **14 Years**

[21] Appl. No.: **676,723**

[22] Filed: **Mar. 27, 1991**

[52] U.S. Cl. **D3/48**

[58] Field of Search **D3/36, 41-45, D3/48, 52-54, 71; 150/100, 103-108, 110-113, 117-119; 190/100, 103, 107-112, 117-119; 383/37, 38, 41, 42, 907**

[56] **References Cited**

U.S. PATENT DOCUMENTS

- D. 260,458 9/1981 Siegel D3/42
- D. 292,646 11/1987 Pitini, II et al. D3/48

*Primary Examiner—Louis S. Zarfes
Attorney, Agent, or Firm—Andra M. Vaccaro*

[57] **CLAIM**

An ornamental design for a garden tool holder, as shown and described.

DESCRIPTION

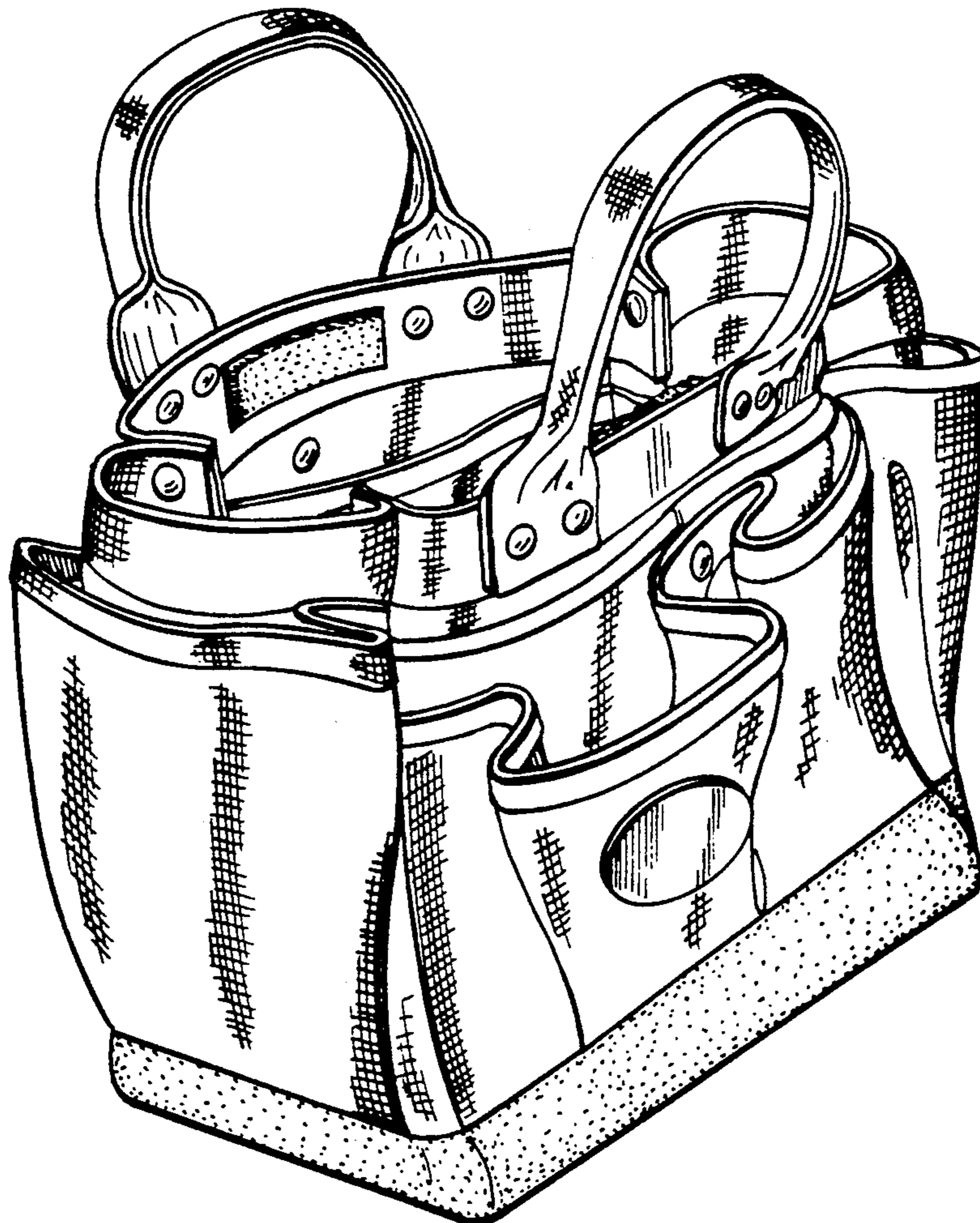
FIG. 1 is a perspective view showing the top, front and left side of the garden tool holder, showing my preferred design;

FIG. 2 is a rear elevational view of the design of the garden tool holder shown in FIG. 1;

FIG. 3 is a right side elevational view of the design of the garden tool holder shown in FIG. 1;

FIG. 4 is a top plan view of the design of the garden tool holder shown in FIG. 1; and,

FIG. 5 is a bottom plan view of the design of the garden tool holder shown in FIG. 1.



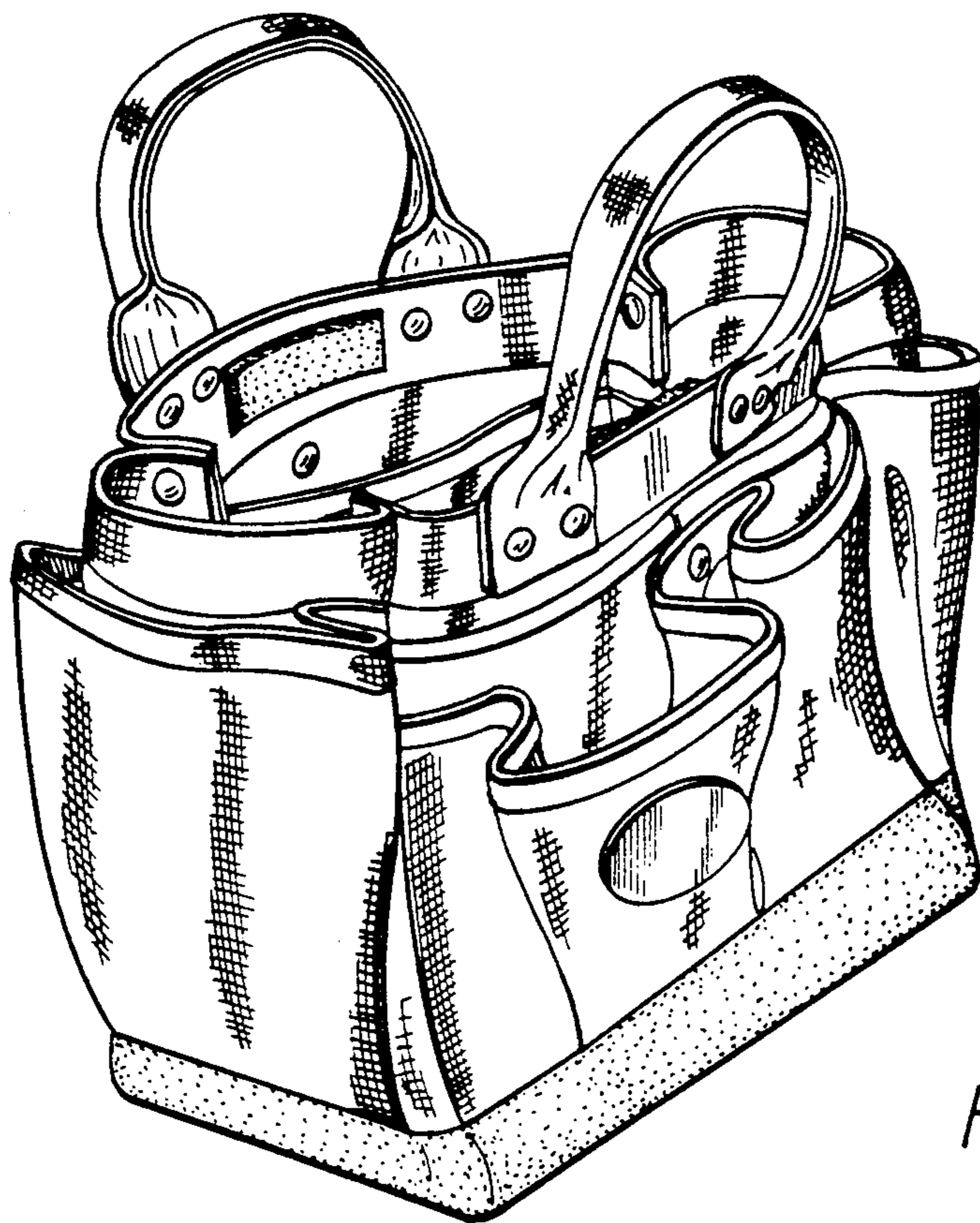


FIG. 1

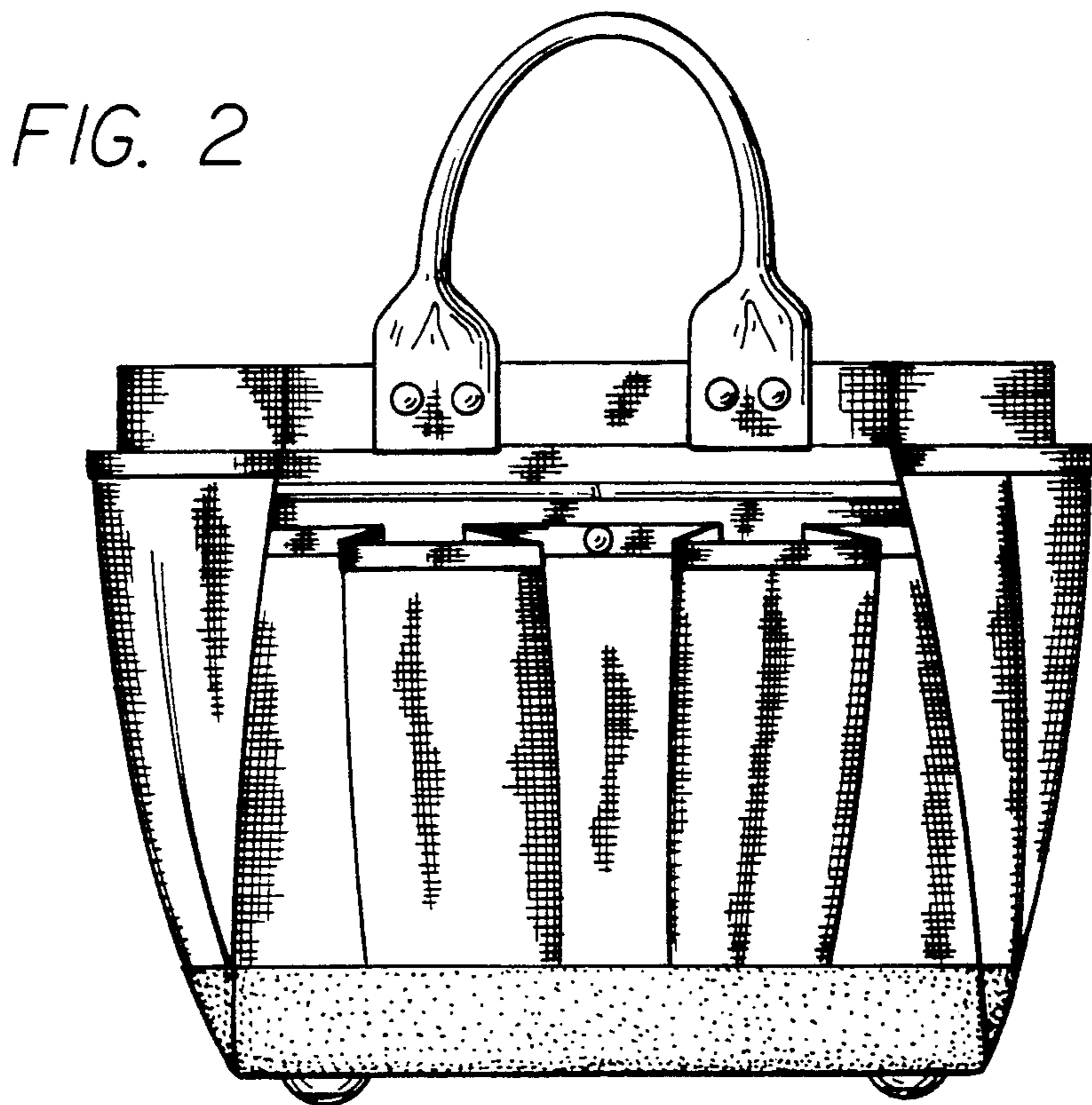


FIG. 2

FIG. 3

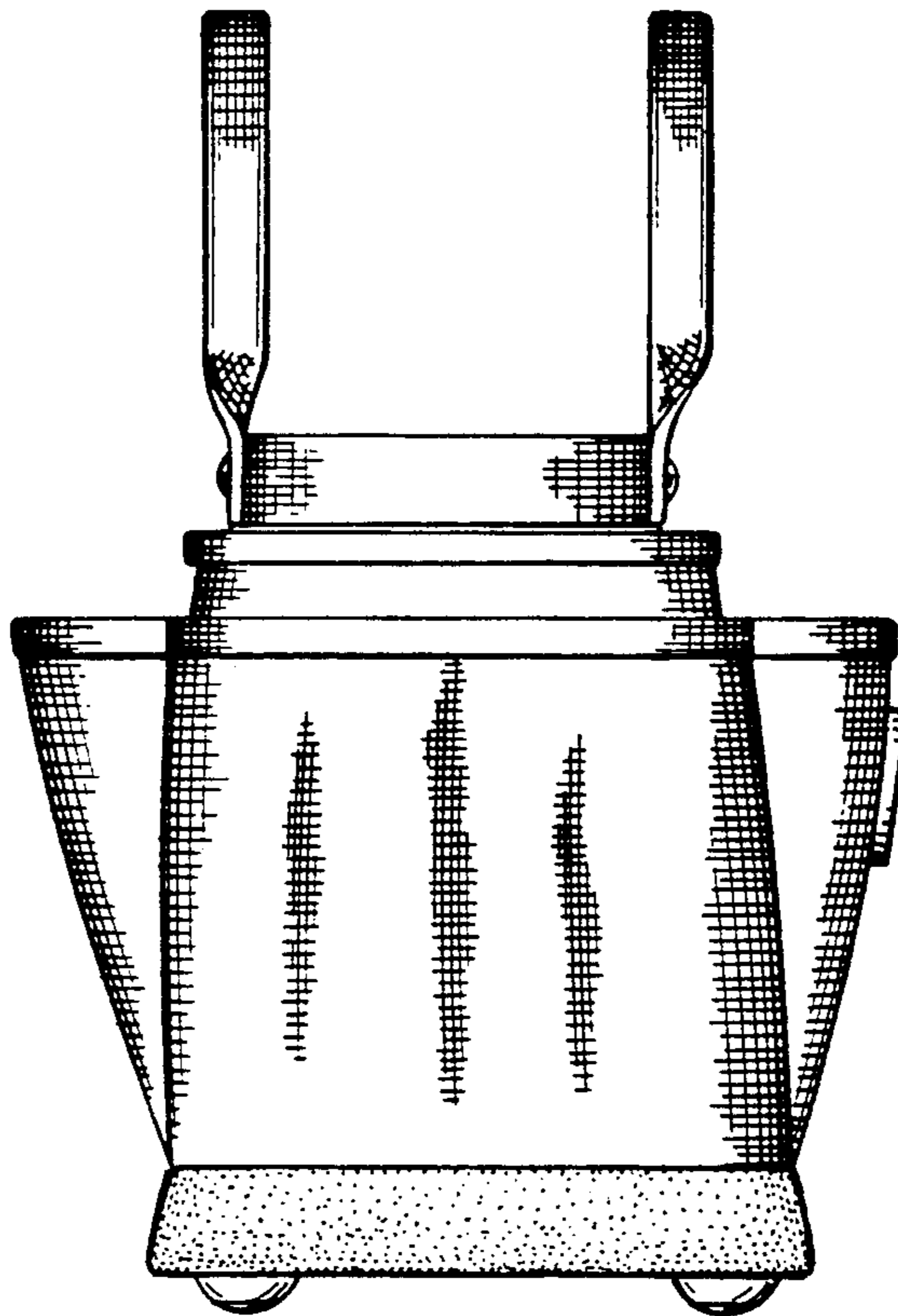
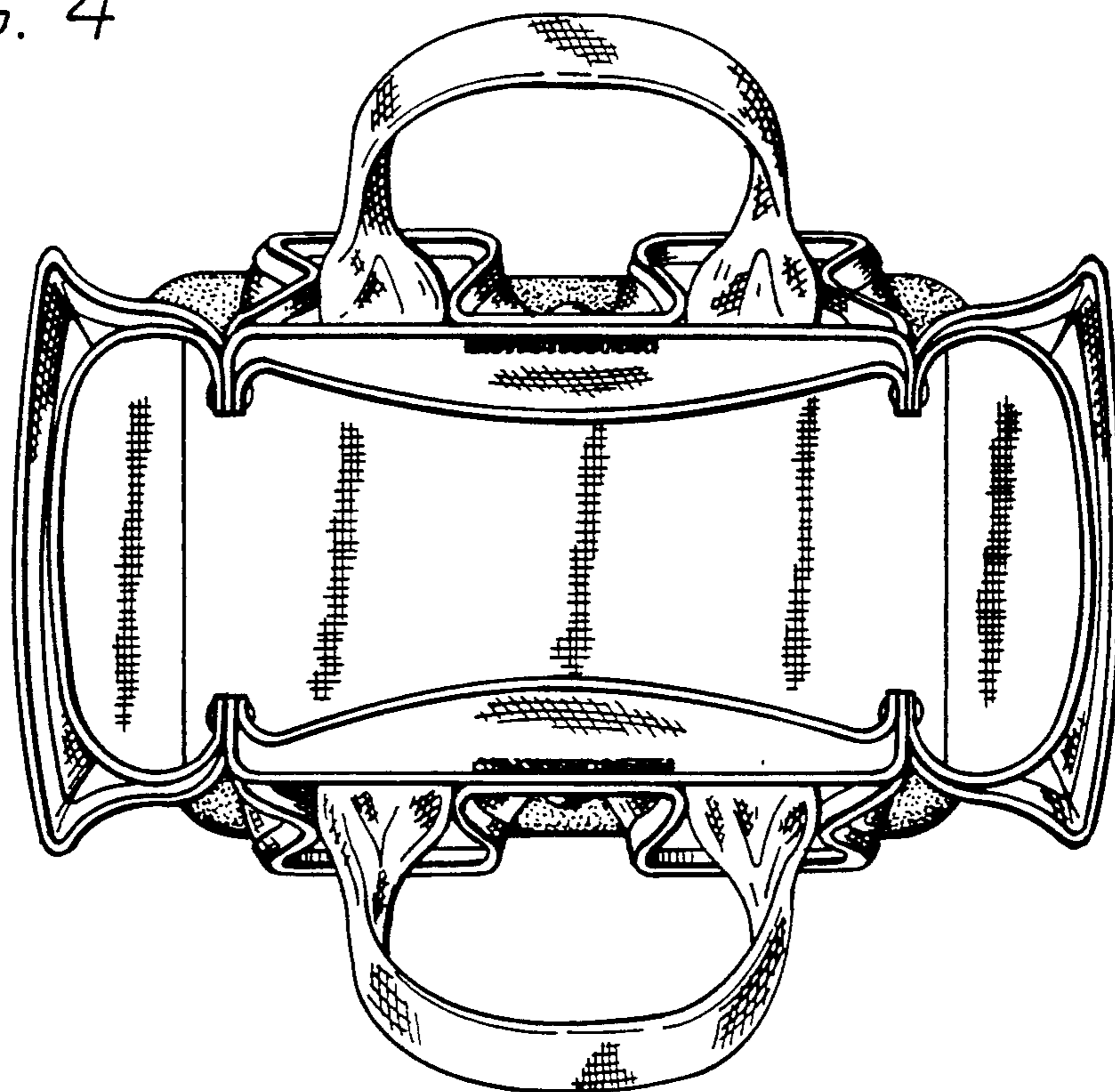


FIG. 4



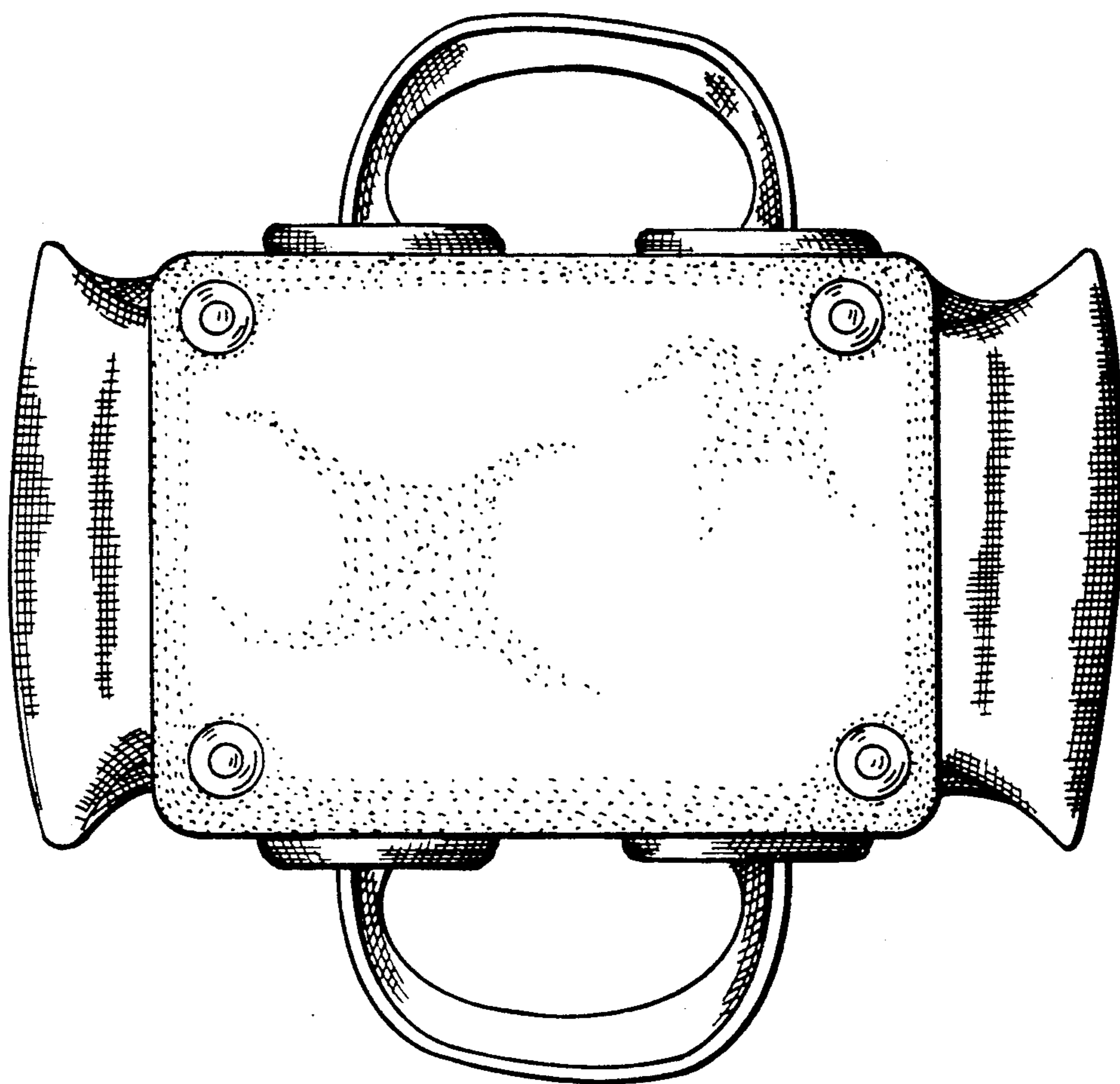


FIG. 5