



US00D334829S

# United States Patent [19]

[11] Patent Number: **Des. 334,829**

Sygman

[45] Date of Patent: **\*\* Apr. 20, 1993**

[54] **EDIBLE ICE CREAM CONE SKIRT**

[76] Inventor: **Steven M. Sygman, R.D. #2, Box 202-D, Montauk, N.Y. 11954**

[\*\*] Term: **14 Years**

[21] Appl. No.: **786,989**

[22] Filed: **Nov. 4, 1991**

1,950,734 3/1934 Leaf ..... 426/95  
 2,321,519 6/1943 Rubinoff ..... 426/132 X  
 2,527,993 10/1950 Habler ..... 426/139 X  
 2,948,452 8/1960 Gragan et al. .... D1/102 X  
 3,306,512 2/1967 Pagnini ..... D1/118 X  
 4,889,729 12/1989 Aujourd'hui ..... D1/128 X

*Primary Examiner*—Wallace R. Burke  
*Assistant Examiner*—H. Baynham  
*Attorney, Agent, or Firm*—Leon Gilden

### Related U.S. Application Data

[63] Continuation-in-part of Ser. No. 153,803, Feb. 8, 1988, abandoned.

[52] U.S. Cl. .... **D1/199**

[58] Field of Search ..... **D1/101, 105, 116, 128, D1/118, 117; 426/101, 138-139, 391, 95, 104, 94; D8/399**

### [57] CLAIM

The ornamental design for a edible ice cream cone skirt, as shown and described.

### DESCRIPTION

FIG. 1 is a front elevational view of the edible ice cream cone skirt showing my new design;  
 FIG. 2 is a rear elevational view thereof;  
 FIG. 3 is a left side elevational view thereof;  
 FIG. 4 is a right side elevational view thereof;  
 FIG. 5 is a top plan view thereof; and,  
 FIG. 6 is a bottom plan view thereof.  
 The broken line showing of an ice cream cone and ice cream is for illustrative purposes only and forms no part of the claimed design.

### [56] References Cited

#### U.S. PATENT DOCUMENTS

D. 20,696 4/1891 Faber ..... D8/399  
 D. 277,044 1/1985 Kuhlman ..... D1/128 X  
 D. 288,381 2/1987 Eldred et al. .... D1/128  
 D. 317,222 6/1991 Dodge ..... D1/102

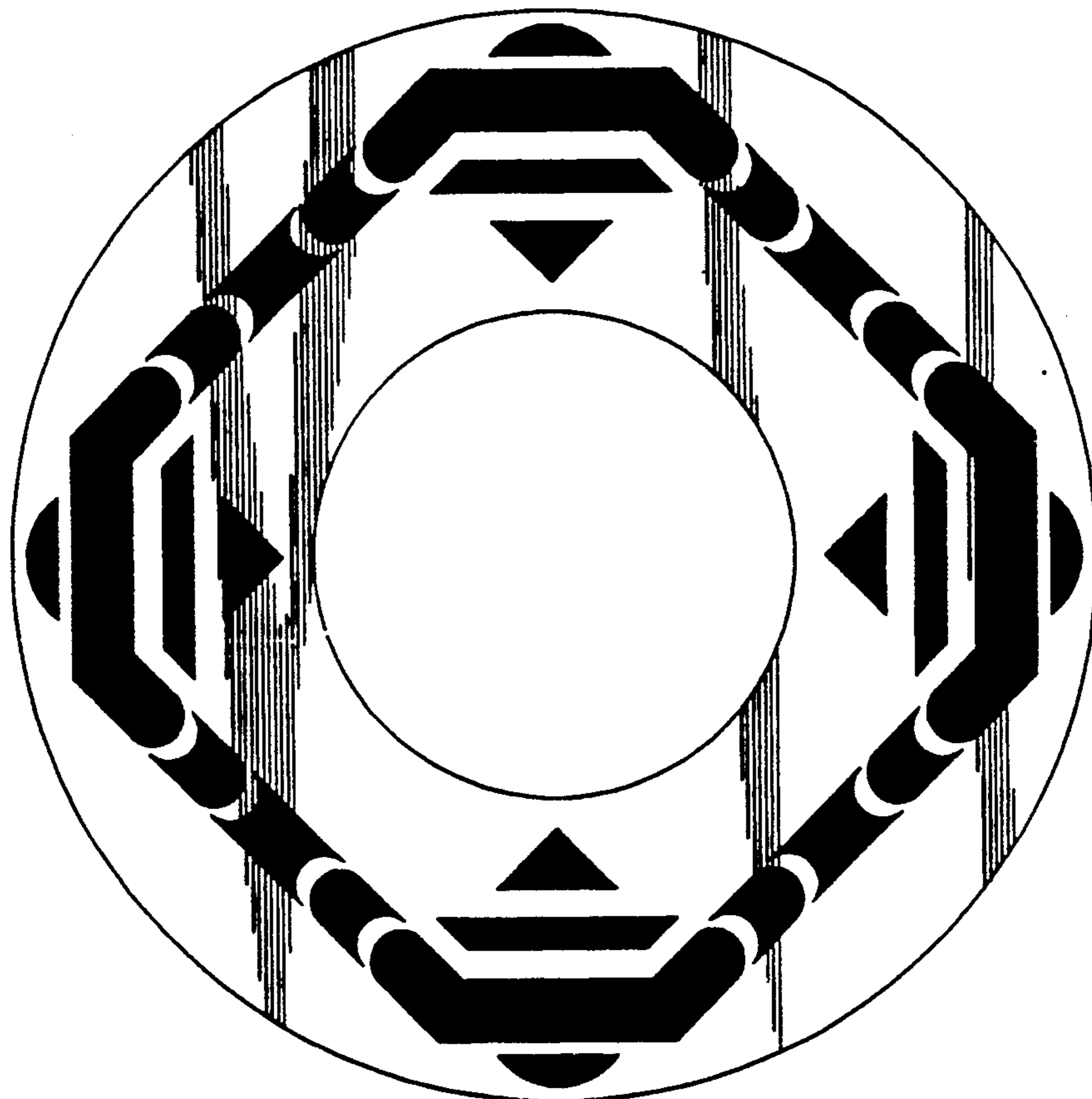


FIG. 1

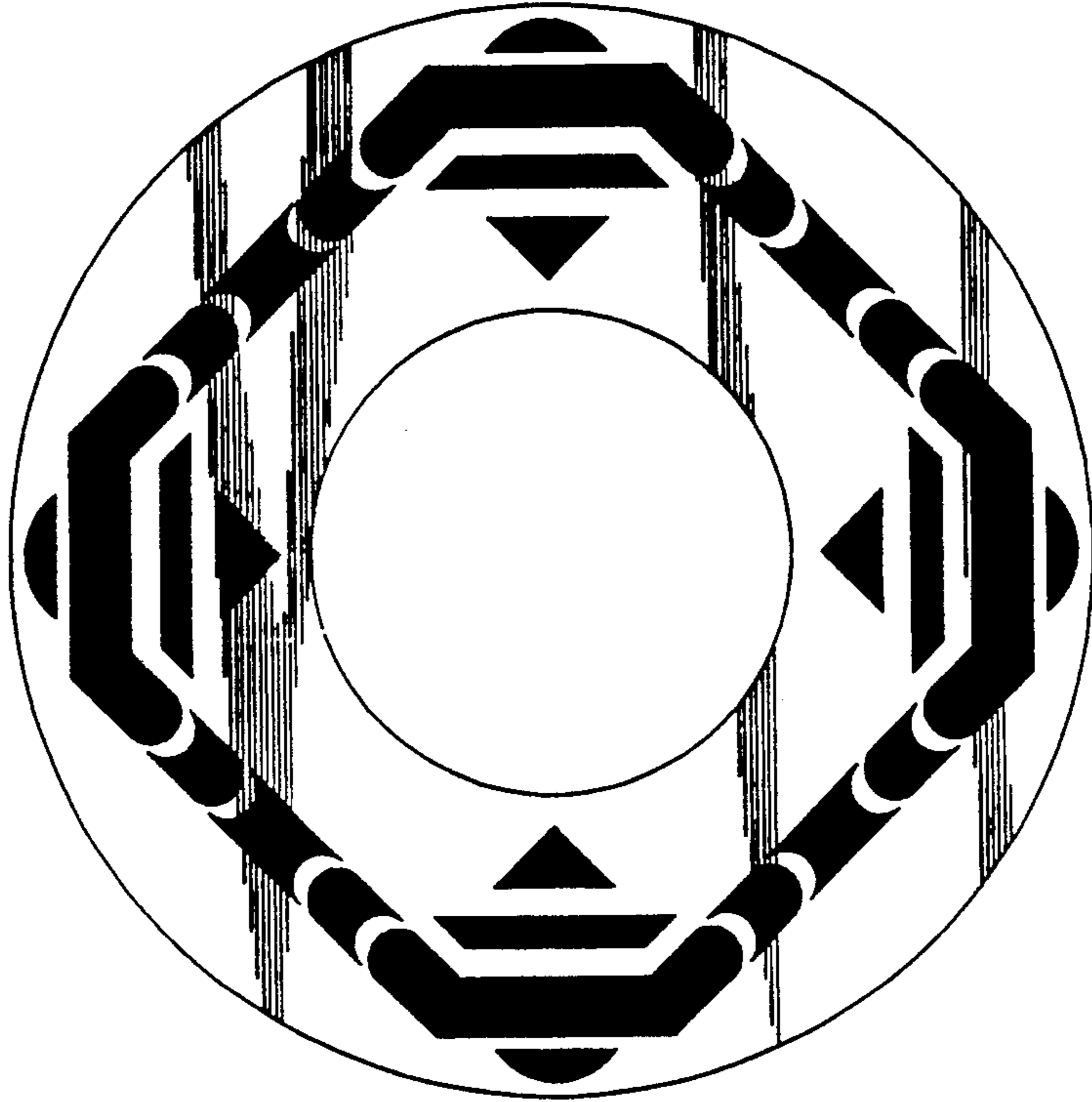


FIG. 2

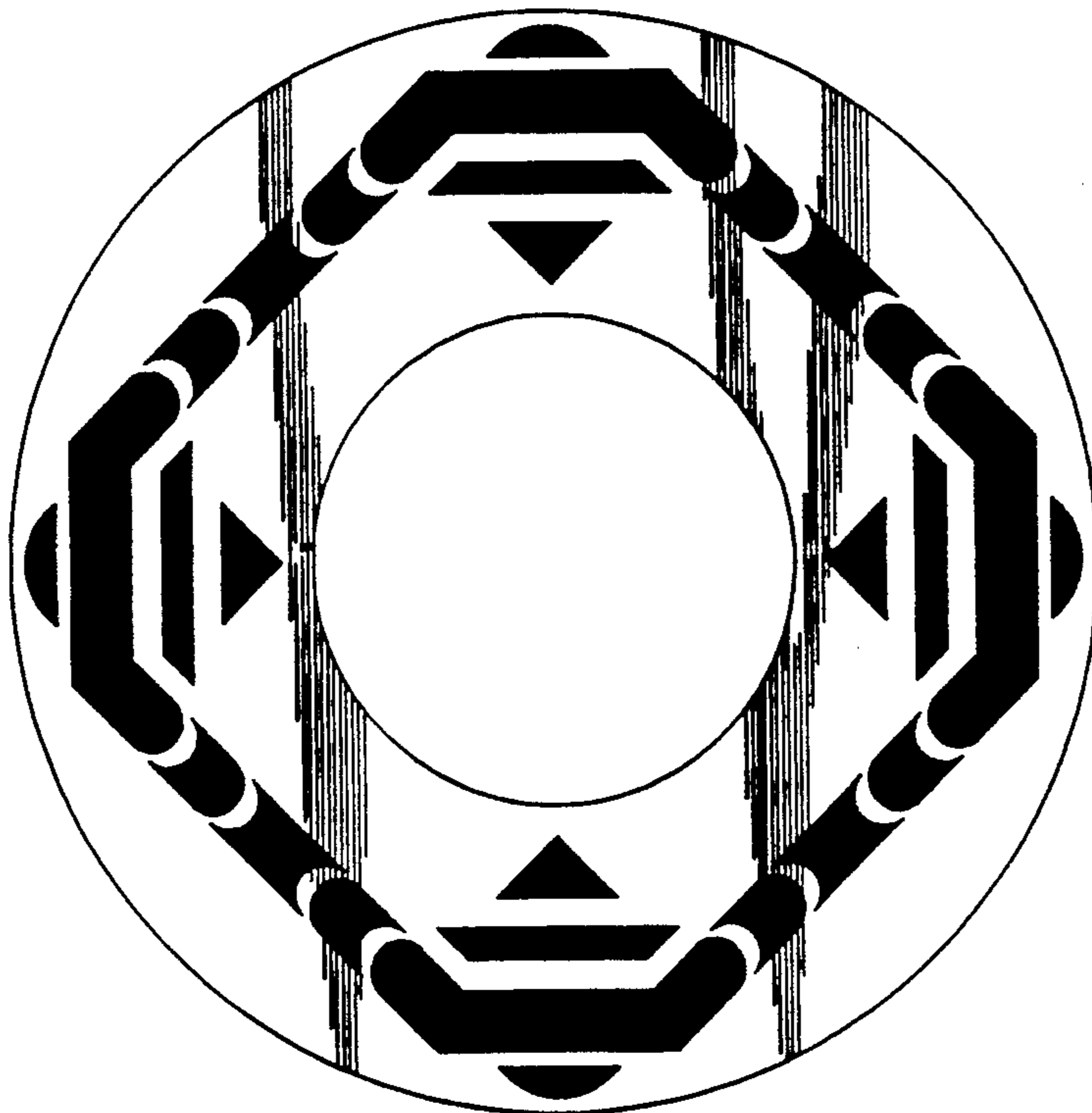


FIG. 3

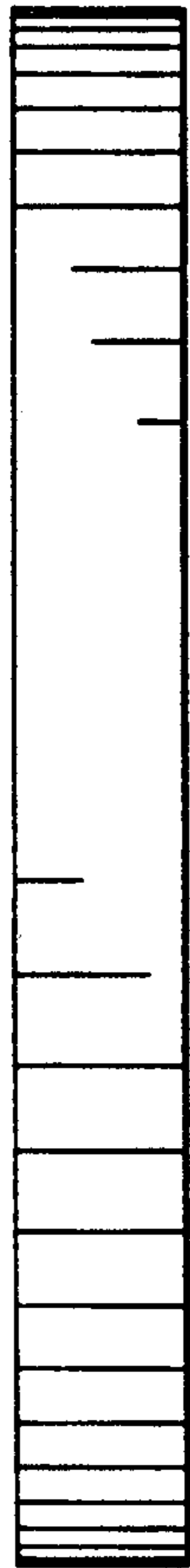


FIG. 4

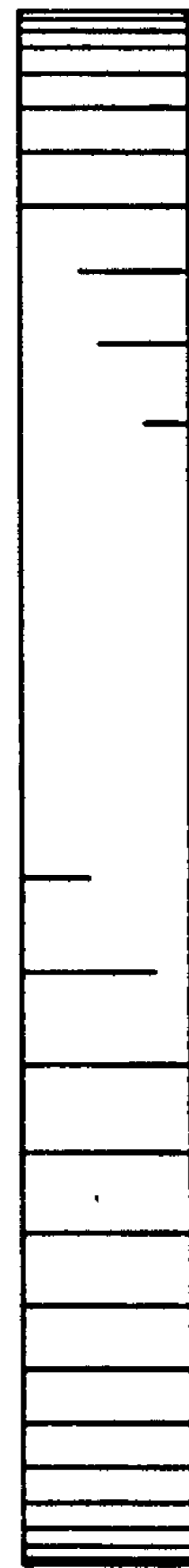


FIG. 5

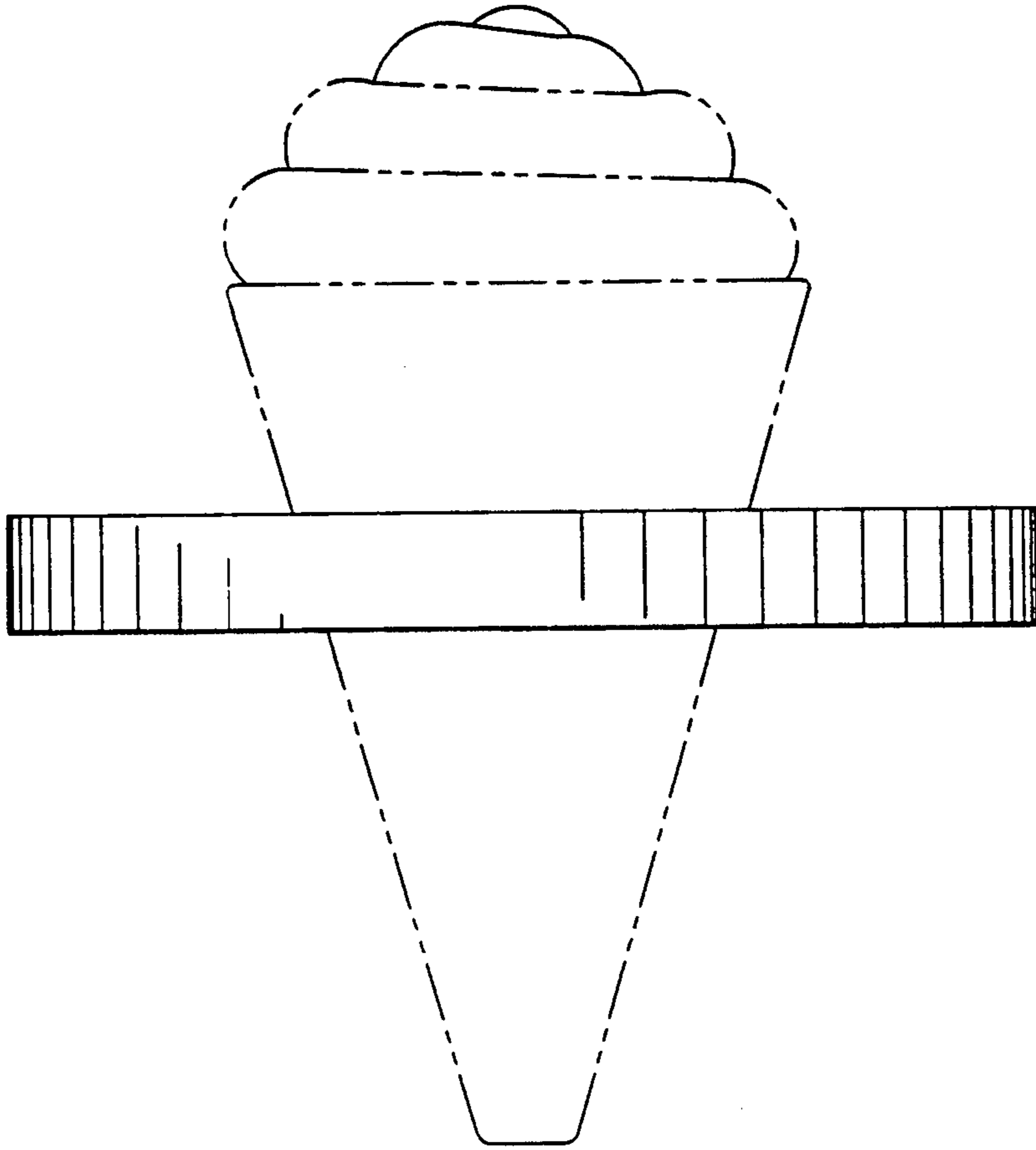


FIG. 6

