



US00D334826S

United States Patent [19]

[11] Patent Number: **Des. 334,826**

McSheffrey et al.

[45] Date of Patent: **** Apr. 13, 1993**

[54] **INTEGRAL GAUGE AND FIRE EXTINGUISHER VALVE HOUSING**

D. 207,995	6/1967	Howard	D29/5
D. 244,702	6/1977	Momtambo	D29/2
3,224,720	12/1965	Harn	D29/3
4,886,122	12/1989	Goodnight	169/74

[75] Inventors: **John J. McSheffrey, Hingham; James M. Koloski, East Sandwich, both of Mass.**

*Primary Examiner—Kay H. Chin
Attorney, Agent, or Firm—Fish & Richardson*

[73] Assignee: **Mija Industries, Inc., Plymouth, Mass.**

[57] CLAIM

[**] Term: **14 Years**

The ornamental design for an integral gauge and fire extinguisher valve housing, as shown and described.

[21] Appl. No.: **732,315**

DESCRIPTION

[22] Filed: **Jul. 18, 1991**

FIG. 1 is a top perspective view of an integral gauge and fire extinguisher valve housing showing our new design;

[52] U.S. Cl. **D29/5; D23/213**

FIG. 2 is a right side elevational view thereof;

[58] Field of Search **D29/1-5; 169/30, 74, 75, 71, 76; D23/213, 223, 225, 229**

FIG. 3 is a left side elevational view thereof;

FIG. 4 is a top plan view thereof;

FIG. 5 is a bottom plan view thereof;

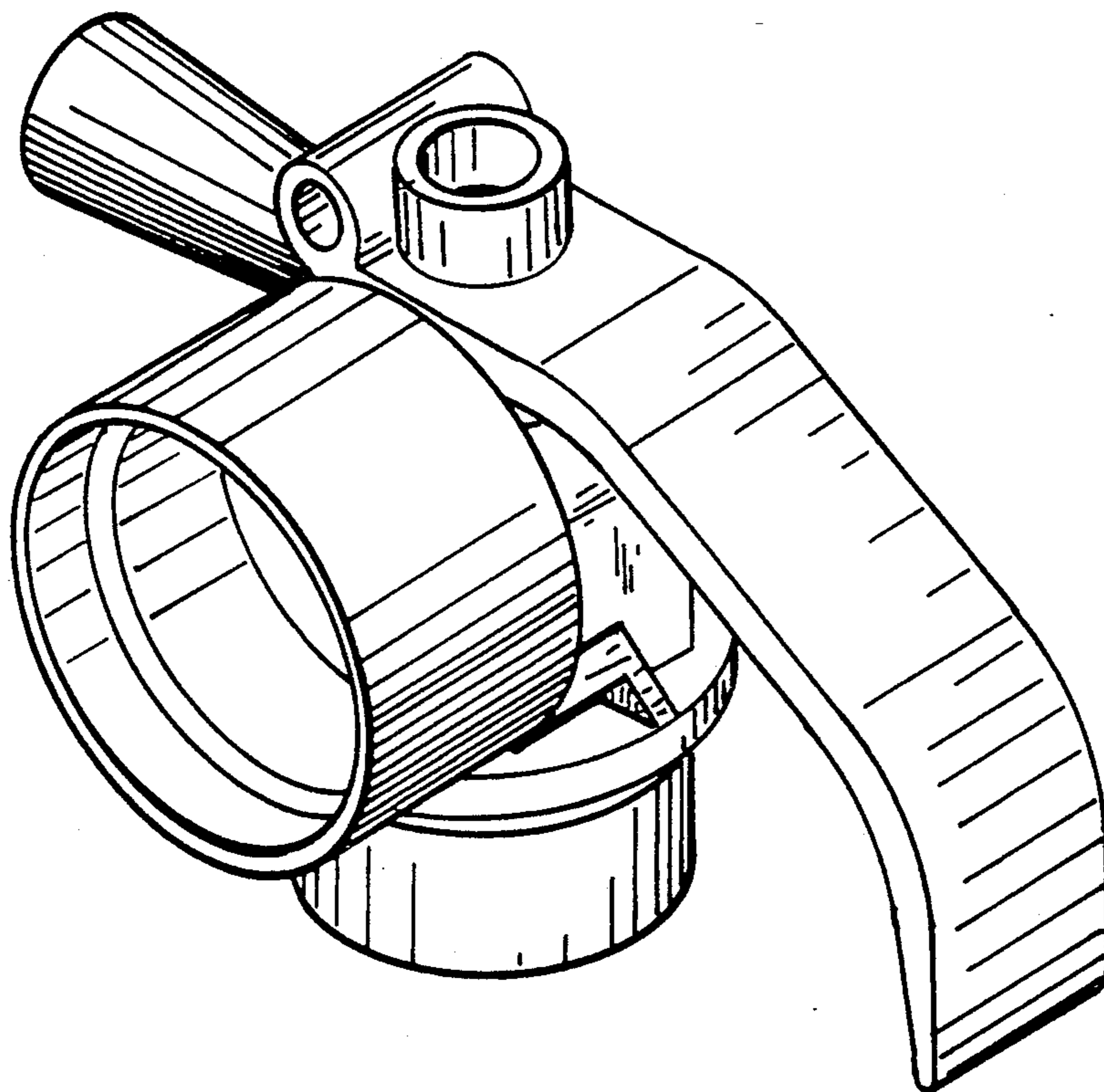
FIG. 6 is a front elevational view thereof; and,

FIG. 7 is a rear elevational view thereof.

[56] References Cited

U.S. PATENT DOCUMENTS

D. 185,957 8/1959 Bauman D29/2



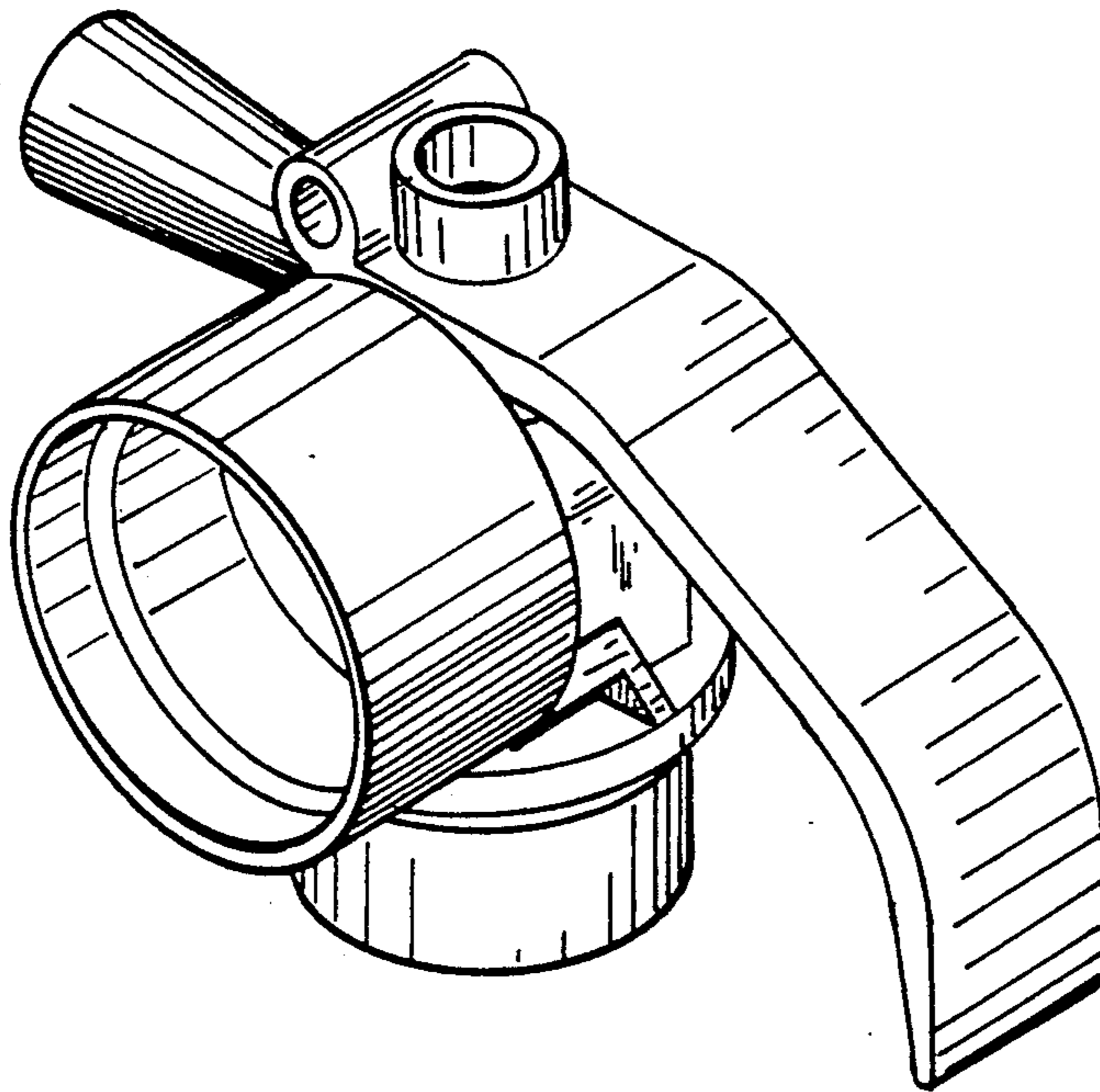


FIG. 1

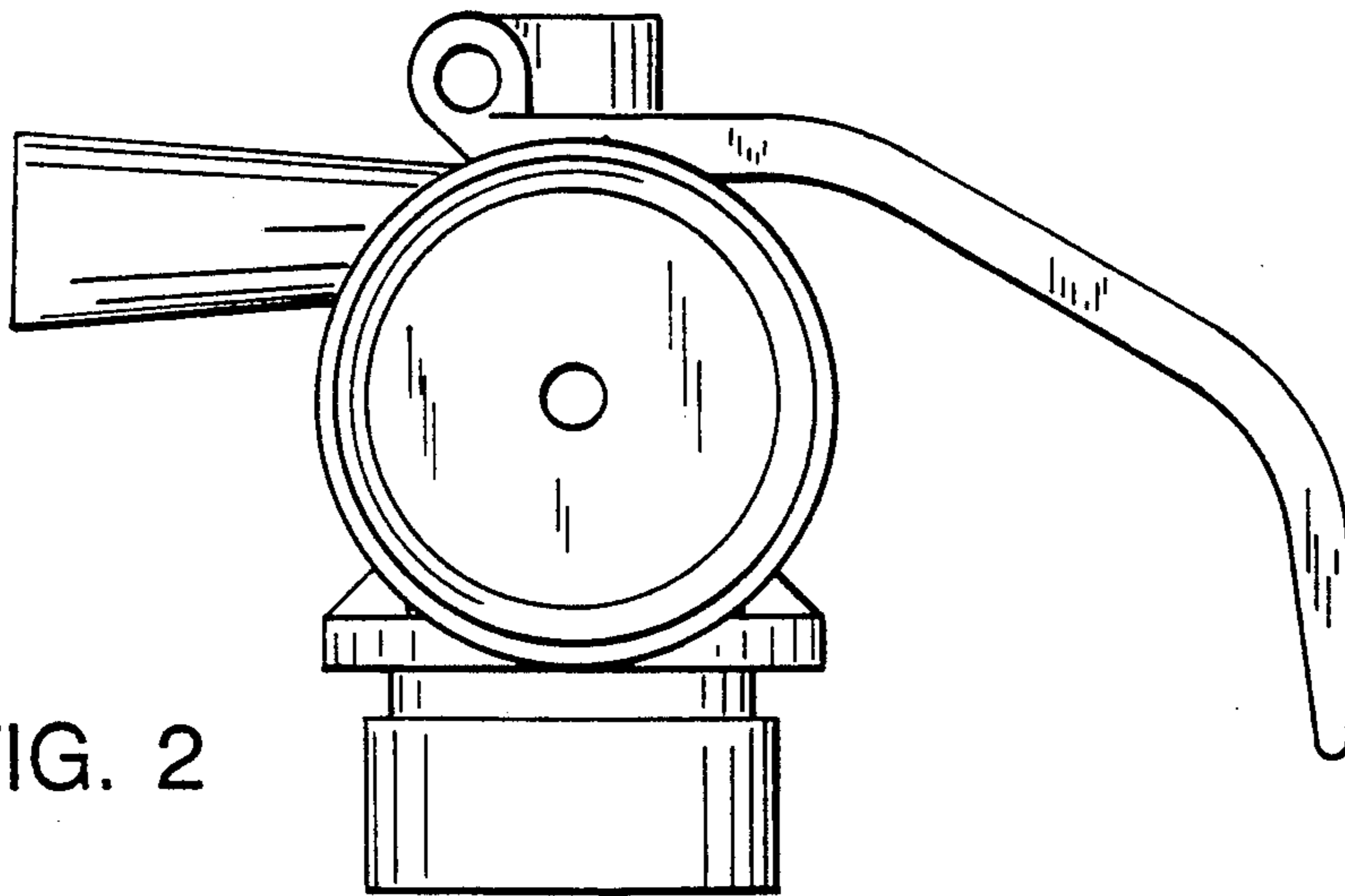


FIG. 2

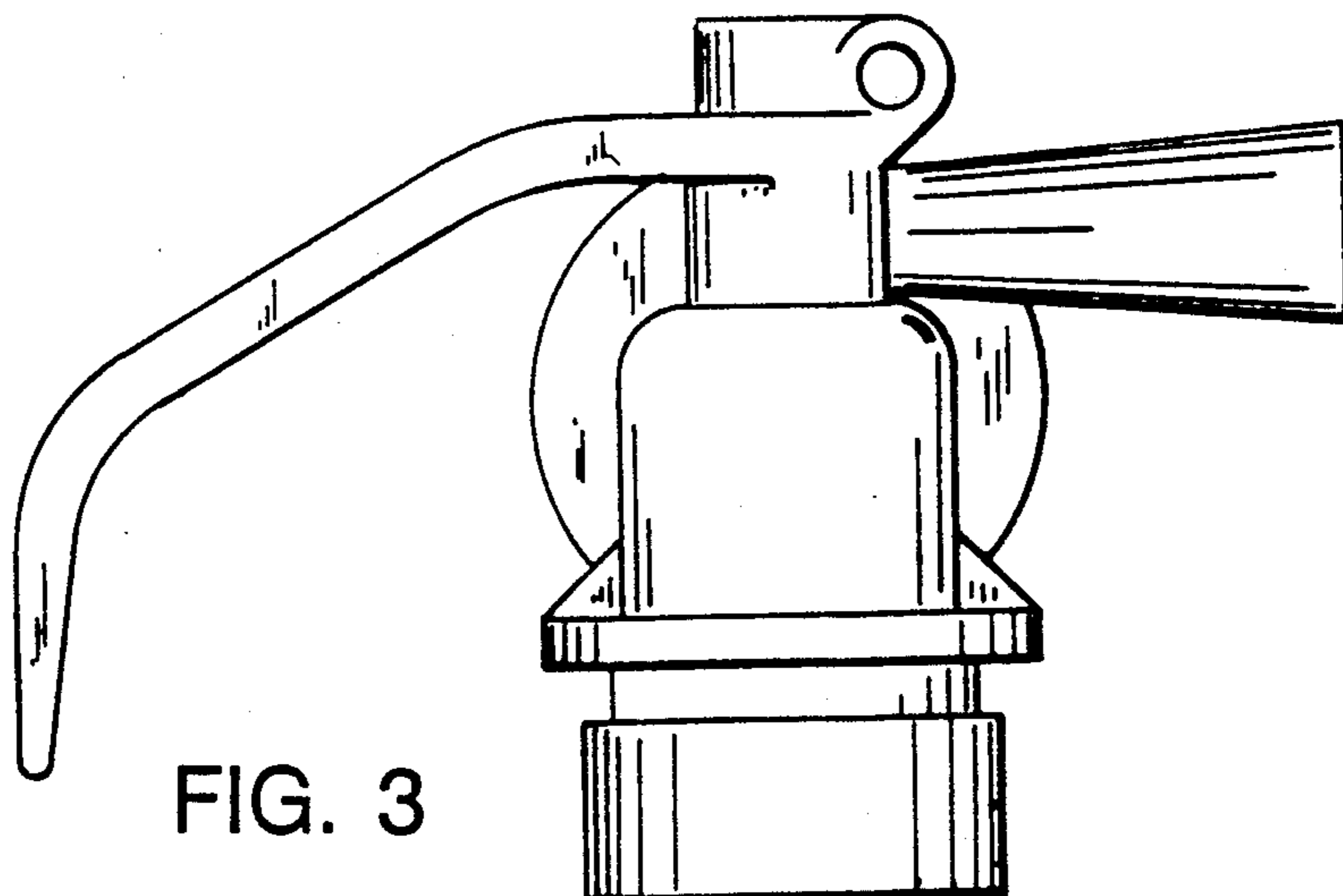


FIG. 3

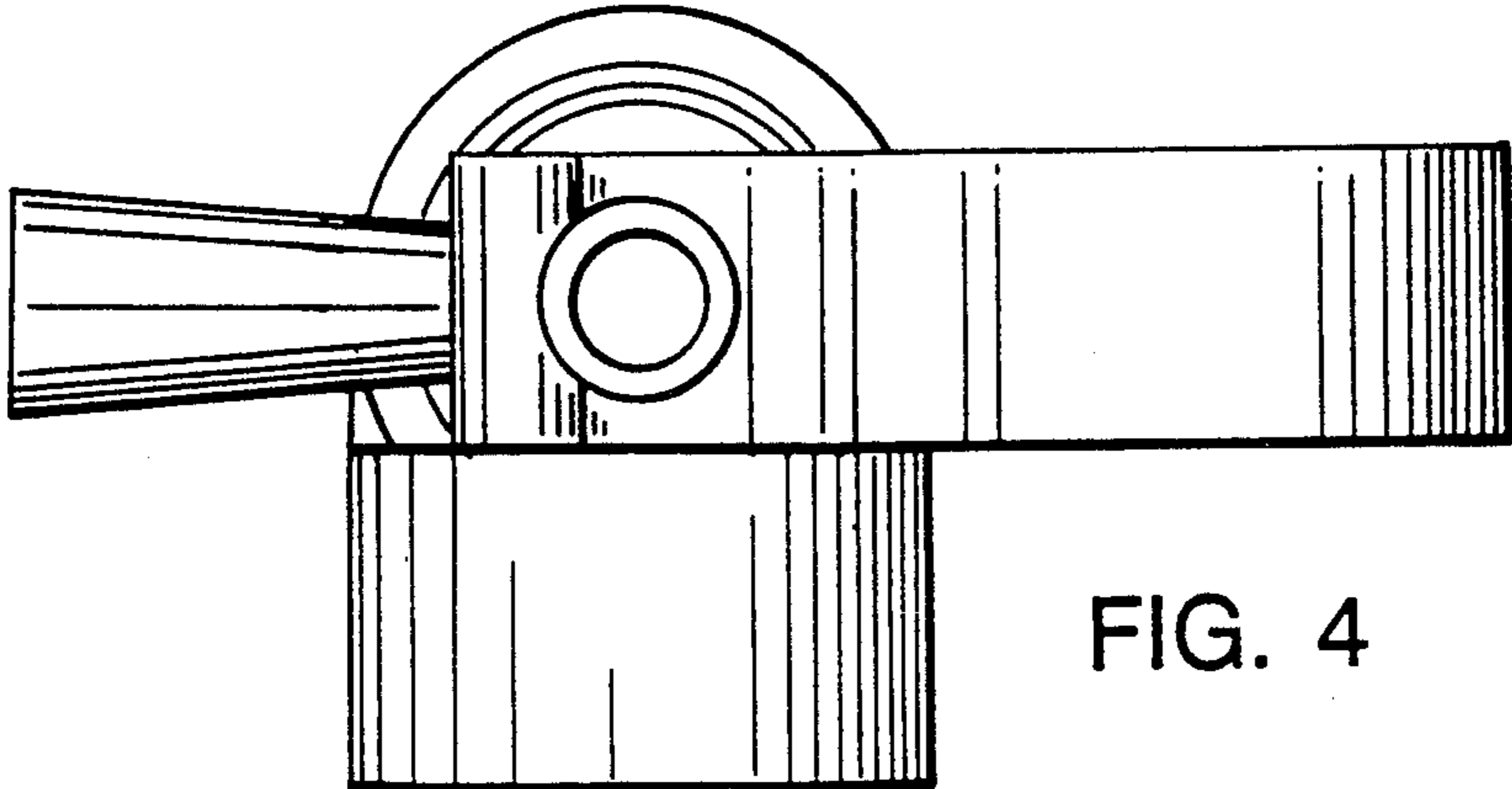


FIG. 4

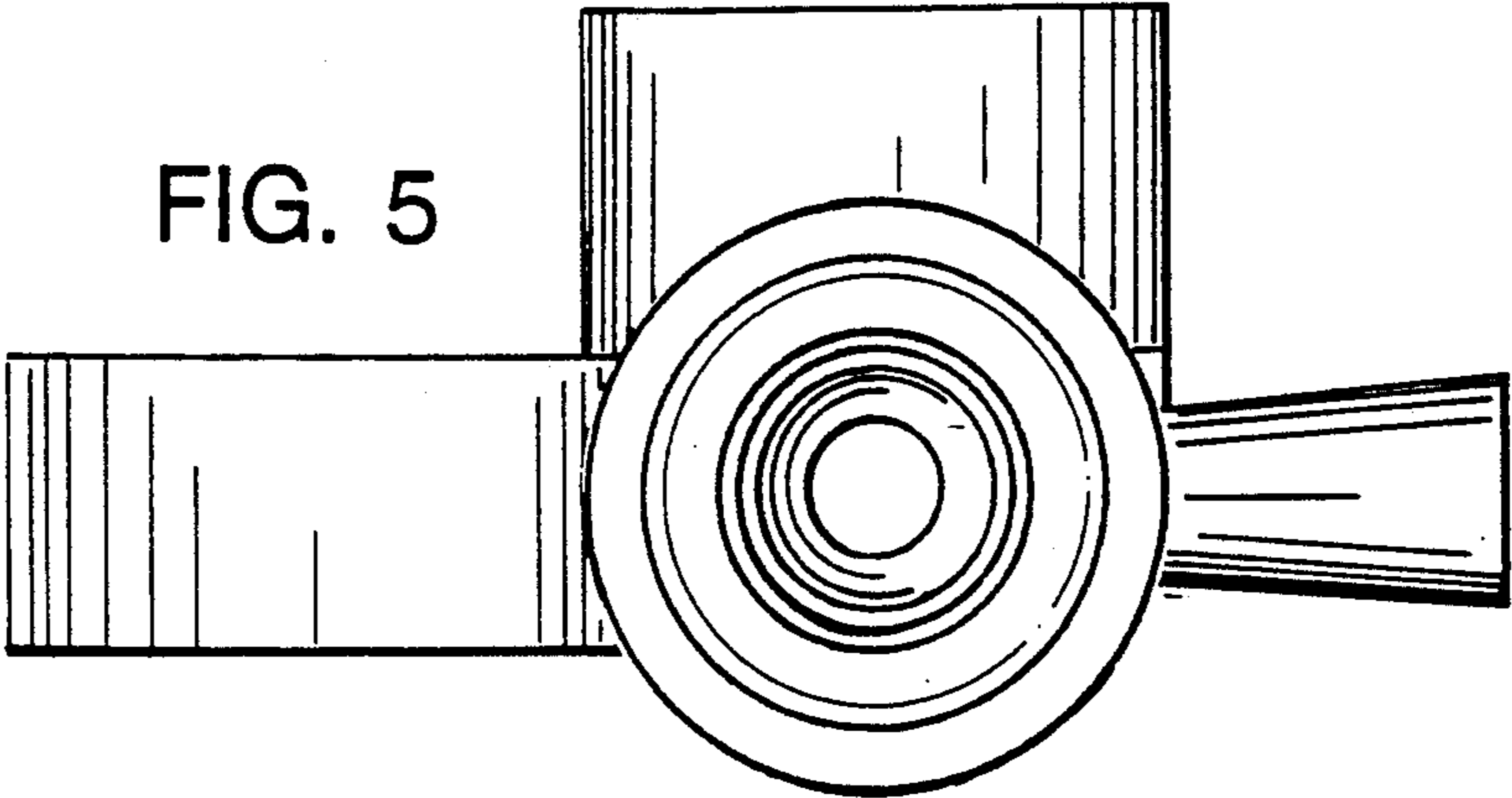


FIG. 5

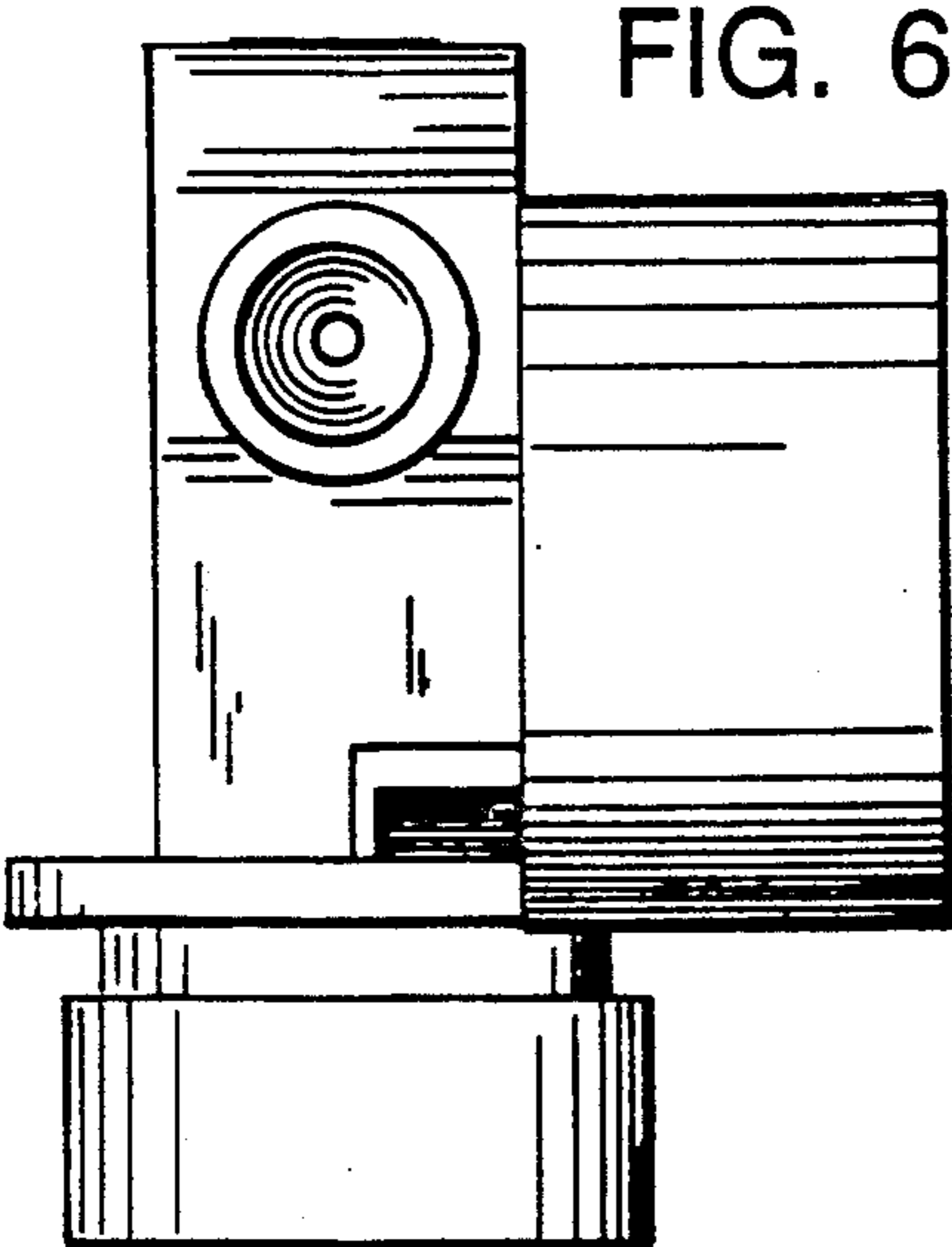


FIG. 6

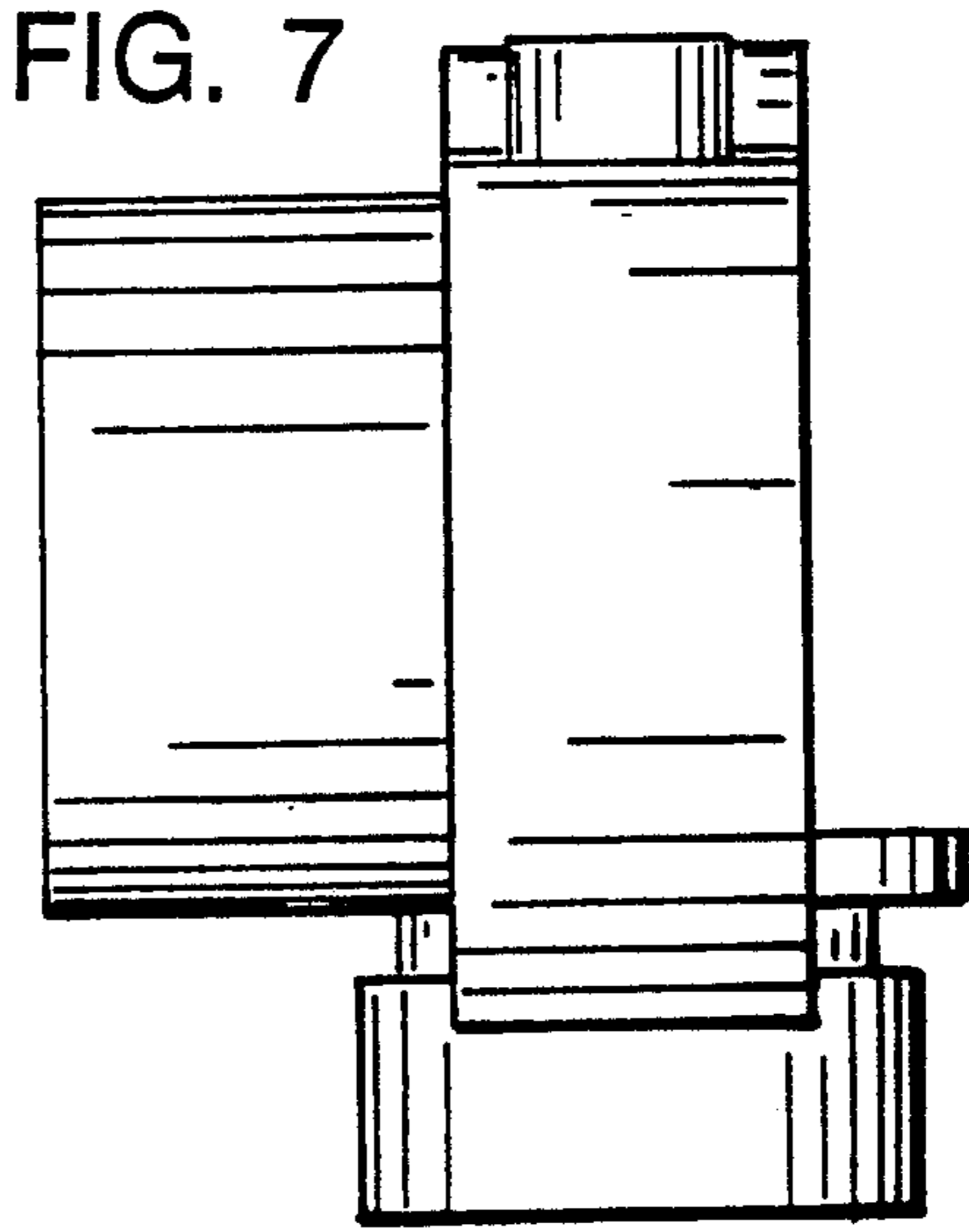


FIG. 7